

Legend:

- A HEADLIGHT
- B MAIN DRIVING LIGHTS
- C TERMINAL BLOCK WITH FUSES
- D DISTRIBUTING BLOCK
- E LIGHT SWITCH AND HORN BUTTON
- F SPARK PLUGS
- G DISTRIBUTOR
- H CONTACT BREAKER
- I HT. COIL
- J STARTER BUTTON
- M HORN
- N NEUTRAL INDICATOR CUTOUT
- O STOP LIGHT CUTOUT
- P OIL PRESSURE CUTOUT
- Q IGNITION SWITCH
- R NUMBER PLATE AND TAIL LIGHT
- K PLATE ILLUMINATION AND STOP LIGHT
- T GENERATOR
- U REGULATOR
- V BATTERY
- Z STARTER MOTOR SOLENOID
- X STARTER MOTOR
- AA SPEEDOMETER (with illumination bulb)
- BB REV-COUNTER (with illumination bulb)
- CC LIGHTS INDICATOR (red)
- DD NEUTRAL INDICATOR (orange)
- EE GENERATOR CHARGE INDICATOR (red)
- FF OIL PRESSURE INDICATOR (red)
- K RELAY FOR STARTER SOLENOID

IGNITION SWITCH POSITION

- + 0 -
- 1 - 30/30 - INT
- 2 - 30/30 - INT 15-54
- 3 - 30/30 - INT 15-54 - 50

NB: Position - 3 - does not serve on machines with starter button.

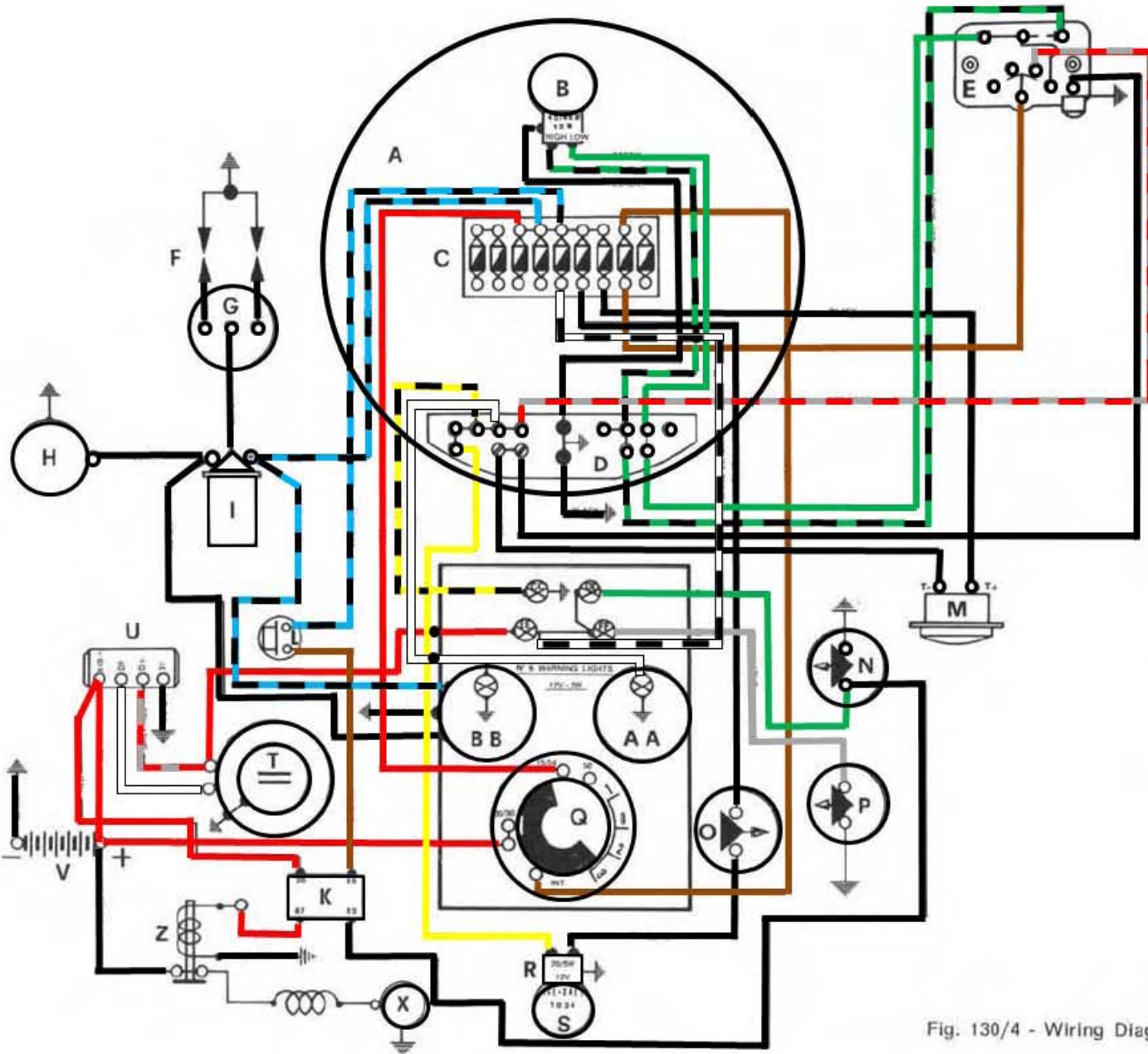


Fig. 130/4 - Wiring Diagram V7-750 (Usa Model)