



PIAGGIO & C.s.p.a.



SPARE PARTS CATALOGUE



Breva IE 750 2003-2009

Chassis prefix: ZGULL

Engine prefix:

BREVA

GU000



Index

Finished products.....	4
Alphanumeric index.....	7
FRAME.....	14
Table 33.09 - Air box.....	14
Table 33.10 - Exhaust unit.....	16
Table 33.20 - Frame I.....	18
Table 33.21 - Frame II.....	19
Table 33.22 - Lateral stand.....	20
Table 33.23 - Foot rests.....	21
Table 33.24 - Fuel tank.....	23
Table 33.25 - Front body - Front fairing.....	26
Table 33.26 - Front body - Duct.....	27
Table 33.27 - Front body - Front mudguard.....	30
Table 33.28 - Saddle-Central bod.....	32
Table 33.29 - Rear body - Mudguard.....	36
Table 33.30 - Rear body - Undersaddle.....	37
Table 33.31 - Front fork I.....	39
Table 33.32 - Fron fork II.....	40
Table 33.33 - Rear shock absorber.....	44
Table 33.34 - Front wheel.....	45
Table 33.35 - Rear wheel.....	46
Table 33.36 - Front brake system.....	47
Table 33.37 - Rear master cylinder.....	48
Table 33.38 - Rear brake caliper.....	49
Table 33.39 - Handlebar - Controls.....	50
Table 33.40 - Dashboard I.....	52
Table 33.41 - Dashboard II.....	53
Table 33.42 - Front lights.....	54
Table 33.43 - Rear lights.....	56
Table 33.44 - Generator - Regulator.....	58
Table 33.46 - Front electrical system.....	59
Table 33.47 - Central electrical system.....	60
Table 33.48 - Rear electrical system.....	62
Table 33.49 - Lock hardware kit.....	64
Table 33.50 - Decal and plate set.....	65
Table 33.51 - Fuel vapour recover system.....	68
Table 33.52 - Central stand.....	69
Table 33.53 - Windscreen.....	70
Table 33.54 - Touring Side cases.....	71
Table 33.55 - Touring Top box.....	72
Table 33.59 - components - PA.....	73
ENGINE.....	75
Table 34.01 - Crank-case.....	75



Table 34.02 - Timing system cover.....	77
Table 34.03 - Cylinder head.....	78
Table 34.04 - Crankshaft cpl.....	80
Table 34.05 - Timing system.....	81
Table 34.06 - Fuel supply.....	83
Table 34.07 - Fuel pump.....	84
Table 34.08 - Throttle body.....	85
Table 34.11 - Oil pump.....	86
Table 34.12 - Clutch I.....	88
Table 34.13 - Clutch II.....	89
Table 34.14 - Transmission cage.....	90
Table 34.15 - Gear box.....	92
Table 34.16 - Gear box selector.....	94
Table 34.17 - Gear lever.....	95
Table 34.18 - Transmission complete I.....	96
Table 34.19 - Transmission complete II.....	98
Table 34.45 - Starter motor.....	101
SPECIAL TOOLS.....	102
Table 36.56 - Specific tools I.....	102
Table 36.57 - Specific tools II.....	103
Table 36.58 - Specific tools III.....	104



Finished products

Code	Validity
9032211US401AUNC	
9032211US401UNC	
9032211US402UNC	
9032211US403UNC	
9032211US502UNC	
AP60100EL04	
GU9032172US501	
GU9032211AU301	
GU9032211AU302	
GU9032211ES301	
GU9032211ES302	
GU9032211ES303	
GU9032211EU300	
GU9032211EU301	
GU9032211EU302	
GU9032211EU303	
GU9032211EU404	
GU9032211GB301	
GU9032211GB302	
GU9032211GB303	
GU9032211GB404	
GU9032211JP301	
GU9032211JP302	
GU9032211JP303	
GU9032211JP404	
GU9032211US400	
GU9032211US401	
GU9032211US402	
GU9032211US403	
GU9032211US500	
GU9032211US501	
GU9032211US502	
GU9032211US503	
GU9032211US504	
GU9032213AU501	
GU9032213AU502	
GU9032213AU503	
GU9032213AU504	
GU9032213EU501	
GU9032213EU502	
GU9032213EU503	
GU9032213EU504	



Code	Validity
GU9032213GB501	
GU9032213GB502	
GU9032213GB503	
GU9032213GB504	
GU9032213JP501	
GU9032213JP502	
GU9032213JP503	
GU9032213JP504	
GU9032214AU601	
GU9032214AU602	
GU9032214AU604	
GU9032214AU705	
GU9032214CA701	
GU9032214CA705	
GU9032214CA801	
GU9032214CA805	
GU9032214EU600	
GU9032214EU601	
GU9032214EU602	
GU9032214EU603	
GU9032214EU604	
GU9032214EU700	
GU9032214EU705	
GU9032214EU900	
GU9032214EU906	
GU9032214EU907	
GU9032214GB600	
GU9032214GB601	
GU9032214GB602	
GU9032214GB700	
GU9032214GB705	
GU9032214GB900	
GU9032214GB906	
GU9032214GB907	
GU9032214JP601	
GU9032214JP602	
GU9032214JP604	
GU9032214JP705	
GU9032214US700	
GU9032214US701	
GU9032214US702	
GU9032214US705	
GU9032214US800	
GU9032214US801	
GU9032214US805	



BREVA
GU000 - Brevia IE 750 2003-2009

Chassis prefix: ZGULL
Engine prefix:

Code	Validity
GU9032215EU601	
GU9032215EU602	
GU9032215EU603	
GU9032215EU604	
GU9032215GB601	
GU9032215GB602	
GU9032215GB603	
GU9032230EU402	
GU9032230EU403	
GU9032231EU501	
GU9032231EU502	
GU9032231EU503	
GU9032231EU504	
GU9032231EU505	
GU9032231EU506	
GU9032231EU607	
GU9032231EU608	
GU9032232EU700	
GU9032232EU701	
GU9032232EU900	
GU9032232EU902	
GU9032235EU501	
GU9032235EU502	
GU9032236EU701	
GU9032236EU802	
GU9032543US402	
UG9032215EU602	
UG9032701EU601	



Code	No. table	Pos.	Code	No. table	Pos.	Code	No. table	Pos.
0000000	33.34	9	977293	33.22	14	977546	33.28	6
0000000	33.35	12	977300	33.23	7	978972	33.32	30
0000000	33.37	2	977300	33.23	7	978973	33.32	31
0000000	34.45	4	977301	33.23	15	978974	33.32	19
0000000	34.45	5	977301	33.23	15	978976	33.32	21
0000000	34.45	6	977302	33.30	2	978977	33.32	29
0000000	34.45	7	977302	33.30	2	978978	33.32	4
639542	33.22	11	977303	33.50	7	978979	33.31	1
641541	34.11	8	977303	33.50	7	AP8101595	33.37	16
883011	34.18	11	977305	33.34	1	AP8101595	33.51	14
884115	33.59	11	977305	33.34	1	AP8101861	33.23	13
884172	33.59	18	977307	33.35	1	AP8101968	33.37	8
884173	33.59	19	977307	33.35	1	AP8102159	33.09	25
884174	33.59	15	977308	33.48	5	AP8102159	33.51	11
884175	33.59	16	977309	33.24	1	AP8102239	33.09	30
884176	33.53	5	977310	33.24	1	AP8102239	33.51	12
884177	33.27	10	977311	33.28	1	AP8102375	33.26	3
887093	34.11	9	977312	33.27	2	AP8102375	33.27	8
887878	33.32	1	977312	33.27	2	AP8102375	33.28	10
887879	33.32	2	977313	33.26	2	AP8102375	33.30	7
887880	33.32	3	977314	33.26	4	AP8102376	33.51	5
887881	33.32	40	977315	33.26	2	AP8102524	33.22	4
887882	33.32	5	977316	33.26	4	AP8102535	33.24	9
887883	33.32	6	977317	33.28	2	AP8102678	33.51	1
887884	33.32	7	977318	33.28	5	AP8102688	33.51	2
887885	33.32	8	977319	33.28	2	AP8102765	33.51	13
887886	33.32	9	977320	33.28	5	AP8102765	34.06	4
887887	33.32	10	977321	33.28	6	AP8102766	33.09	10
887888	33.32	11	977322	33.30	1	AP8102913	33.49	9
887889	33.32	12	977322	33.30	1	AP8104242	33.09	8
887890	33.32	13	977323	33.28	1	AP8104251	33.09	24
887891	33.32	14	977324	33.28	6	AP8104509	33.39	9
887892	33.32	15	977325	33.26	1	AP8104525	33.09	13
887893	33.32	16	977325	33.26	1	AP8112811	33.48	23
887894	33.32	17	977326	33.26	5	AP8112996	33.37	23
887895	33.32	18	977326	33.26	5	AP8112996	33.48	6
887896	33.32	19	977327	33.50	14	AP8113003	33.36	15
887898	33.32	21	977327	33.50	14	AP8113003	33.38	7
887899	33.32	22	977396	33.55	2	AP8113241	33.37	17
887900	33.32	23	977428	33.54	1	AP8113288	33.37	13
887901	33.32	24	977429	33.54	2	AP8113502	33.37	11
887902	33.32	25	977430	33.55	1	AP8113553	33.37	18
887903	33.32	26	977431	33.53	1	AP8120030	33.28	8
887904	33.32	27	977445	33.24	1	AP8120030	33.43	7
887905	33.32	28	977446	33.24	1	AP8120116	33.51	8
887906	33.32	39	977457	33.27	2	AP8120116	34.06	6
887912	33.32	30	977458	33.30	1	AP8120178	33.37	27
887913	33.32	31	977459	33.26	2	AP8120246	34.18	10
887914	33.32	32	977460	33.26	4	AP8120592	33.30	11
887915	33.32	33	977461	33.24	1	AP8120615	33.09	14
887916	33.32	34	977462	33.24	1	AP8120621	33.34	10
887917	33.32	35	977463	33.28	2	AP8120708	33.51	15
887918	33.32	36	977464	33.28	5	AP8120772	33.09	11
976600	34.01	1	977465	33.28	1	AP8120876	33.09	23
976603	34.02	1	977466	33.28	6	AP8120893	33.24	8
976604	34.01	12	977483	33.50	6	AP8120894	33.24	10
976605	34.14	1	977484	33.50	6	AP8120952	33.09	1
976606	34.14	17	977488	33.55	3	AP8120952	33.51	7
976608	34.19	1	977537	33.30	1	AP8120965	33.24	12
976685	34.01	16	977538	33.27	2	AP8120987	33.51	6
976939	34.01	28	977539	33.26	2	AP8121014	33.22	3
976940	34.14	21	977540	33.26	4	AP8121032	33.40	14
977088	33.22	1	977541	33.24	1	AP8121032	33.41	14
977094	33.22	1	977542	33.24	1	AP8121072	33.10	22
977096	33.21	2	977543	33.28	2	AP8121133	33.23	12
977151	33.54	3	977544	33.28	5	AP8121134	33.23	16
977152	33.54	4	977545	33.28	1	AP8121307	33.31	4



Code	No. table	Pos.	Code	No. table	Pos.	Code	No. table	Pos.
AP8121367	33.21	10	AP8152278	33.33	2	GU01107490	34.07	4
AP8121375	33.22	2	AP8152278	33.35	8	GU01108490	34.07	5
AP8121420	33.49	11	AP8152279	33.33	2	GU01517700	33.50	2
AP8121567	33.23	1	AP8152280	33.44	12	GU01528930	34.01	15
AP8121736	33.29	16	AP8152286	33.34	5	GU01528930	34.14	23
AP8121773	33.24	2	AP8152287	33.21	13	GU01528930	34.19	9
AP8121915	33.36	14	AP8152288	33.21	15	GU01530568	33.32	6
AP8121915	33.38	8	AP8152288	33.40	18	GU01530571	33.32	9
AP8124266	33.48	7	AP8152288	33.41	18	GU01576530	33.23	21
AP8124274	33.48	21	AP8152288	33.49	7	GU01576530	33.42	17
AP8124528	33.47	14	AP8152290	33.24	4	GU01609630	33.39	14
AP8124718	33.29	18	AP8152291	33.38	9	GU01659130	33.36	11
AP8124869	33.48	9	AP8152298	34.08	6	GU01659131	33.36	12
AP8124936	33.46	1	AP8152299	33.25	4	GU01659230	33.36	10
AP8124977	33.22	8	AP8152299	33.29	12	GU01704501	33.48	11
AP8124977	33.47	15	AP8152299	33.37	15	GU01721600	33.47	20
AP8125326	33.35	14	AP8152299	33.43	5	GU01722700	33.47	24
AP8126702	33.28	11	AP8152299	33.49	15	GU01722701	33.47	24
AP8127072	33.48	4	AP8152300	33.21	14	GU01722702	33.47	24
AP8127073	33.48	11	AP8152300	33.38	13	GU01722703	33.47	24
AP8127098	33.43	11	AP8152302	33.26	8	GU01722704	33.47	24
AP8127346	33.48	20	AP8152306	33.25	4	GU01722705	33.47	24
AP8134167	33.38	15	AP8152306	33.29	5	GU02107100	33.24	11
AP8134378	33.10	18	AP8152306	33.42	21	GU02573900	33.28	7
AP8134448	33.29	6	AP8152306	33.43	10	GU02705500	33.48	29
AP8134451	33.23	9	AP8152329	33.09	18	GU03013800	33.10	8
AP8134618	33.49	12	AP8152329	33.09	22	GU03013800	34.08	10
AP8144007	33.37	7	AP8152329	33.48	19	GU03013800	34.17	7
AP8144030	33.52	10	AP8152339	33.26	8	GU03067730	34.19	19
AP8144038	33.09	31	AP8152339	33.27	7	GU03163330	33.47	17
AP8144046	33.48	14	AP8152339	33.28	9	GU03270300	33.30	4
AP8144069	34.06	5	AP8152339	33.30	6	GU03467343	33.30	5
AP8144071	33.10	16	AP8152339	34.03	25	GU03482571	33.59	2
AP8144071	34.03	23	AP8152385	33.36	2	GU03484375	33.59	6
AP8144081	33.31	8	AP8152409	33.23	2	GU03485771	33.59	1
AP8144087	33.28	12	AP8201301	33.37	9	GU03530529	33.32	2
AP8144109	33.27	11	AP8201358	33.09	2	GU03530530	33.32	1
AP8144146	33.31	3	AP8201546	33.34	8	GU03530547	33.32	30
AP8144351	33.24	10	AP8201546	33.35	2	GU03530551	33.32	12
AP8144538	33.48	26	AP8212588	33.46	4	GU03604845	33.36	8
AP8145034	33.23	6	AP8213028	33.39	23	GU03605645	33.36	9
AP8145035	33.23	8	AP8213057	33.37	12	GU03609600	33.39	14
AP8148587	33.42	19	AP8213388	33.39	24	GU03660145	33.36	5
AP8149034	33.29	13	AP8220189	33.37	3	GU03661145	33.36	6
AP8150018	33.37	24	AP8220189	34.17	2	GU03664045	33.36	7
AP8150204	33.29	17	AP8220263	33.48	24	GU03717450	33.47	11
AP8150248	33.29	15	AP8220283	33.48	8	GU03749845	33.36	18
AP8150349	33.41	8	AP8220349	33.28	13	GU03917570	33.50	3
AP8150349	33.49	6	AP8220396	33.30	10	GU03922280	34.18	23
AP8150413	33.09	3	AP8220460	33.31	9	GU03944326	33.53	2
AP8150413	33.26	6	AP8220546	33.48	10	GU04000500	34.01	10
AP8150420	33.27	9	AP8221197	33.22	5	GU05730730	34.45	1
AP8150421	33.48	18	AP8221277	33.23	5	GU06917300	33.50	8
AP8150436	33.21	12	AP8221297	33.10	30	GU06917300	33.50	8
AP8150450	33.27	12	AP8221317	33.52	8	GU06917400	33.50	4
AP8150450	33.28	3	AP8221318	33.52	9	GU06917400	33.50	4
AP8152174	33.42	20	AP8224163	33.42	18	GU10054100	34.15	12
AP8152220	33.21	11	AP8224164	33.29	7	GU10214300	34.15	27
AP8152268	33.29	4	AP8224462	33.48	12	GU10214301	34.15	27
AP8152270	33.29	14	GU00823923140	33.09	32	GU10214302	34.15	27
AP8152272	33.37	19	GU00823923140	33.22	10	GU10214303	34.15	27
AP8152273	34.06	2	GU00823944050	33.24	14	GU10214304	34.15	27
AP8152277	33.23	3	GU00823950050	33.37	25	GU10214305	34.15	27
AP8152277	33.36	3	GU01102520	33.51	10	GU10907200	36.57	11
AP8152278	33.22	9	GU01103090	34.07	3	GU12003702	34.01	20
AP8152278	33.29	1	GU01103860	33.20	13	GU12022600	34.14	24
AP8152278	33.29	9	GU01106090	34.07	2	GU12022600	34.19	6



Code	No. table	Pos.	Code	No. table	Pos.	Code	No. table	Pos.
GU12087001	34.13	9	GU19214660	34.15	11	GU19927220	36.57	7
GU12154200	34.01	23	GU19215460	34.15	3	GU19927300	36.58	6
GU12154200	34.14	12	GU19234600	34.16	2	GU19927320	36.57	8
GU12912000	36.57	12	GU19237800	34.14	13	GU19927500	36.56	5
GU13021900	34.01	26	GU19327601	34.18	5	GU19927600	36.56	9
GU13021900	34.03	12	GU19328801	34.18	3	GU19927700	36.58	7
GU14086000	34.13	10	GU19350700	34.19	22	GU19927800	36.57	9
GU14086100	34.13	7	GU19351100	34.19	4	GU19927900	36.56	10
GU14090201	34.13	1	GU19351401	34.19	16	GU19928800	36.56	2
GU14090400	34.13	2	GU19351900	34.19	2	GU19929400	36.57	10
GU14217901	34.12	6	GU19352300	34.19	23	GU19929600	36.57	14
GU14217901	34.14	7	GU19353500	34.19	24	GU20003410	34.01	16
GU14217901	34.16	17	GU19355200	34.19	35	GU20003510	34.01	12
GU14609650	33.48	25	GU19355202	34.19	36	GU20036020	34.05	1
GU14615901	33.23	19	GU19355300	34.19	33	GU20036120	34.05	2
GU14615901	34.03	26	GU19355301	34.19	33	GU20085720	34.13	13
GU14615901	34.04	5	GU19355302	34.19	33	GU20147710	34.11	17
GU14615901	34.18	20	GU19355303	34.19	33	GU20147810	34.11	3
GU14717600	33.47	10	GU19355304	34.19	33	GU20148410	34.11	4
GU17451750	33.59	17	GU19355305	34.19	33	GU20148610	34.11	5
GU18144350	34.11	16	GU19355306	34.19	33	GU20208520	34.16	9
GU18161150	34.11	21	GU19355307	34.19	33	GU20352421	34.19	31
GU19001200	34.02	2	GU19355308	34.19	33	GU20355121	34.19	34
GU19002020	34.02	5	GU19355309	34.19	33	GU20716720	33.47	2
GU19002020	34.14	16	GU19355320	34.19	27	GU23200370	34.14	10
GU19003602	34.01	13	GU19355321	34.19	27	GU23210570	34.15	1
GU19003800	34.01	8	GU19355322	34.19	27	GU23211372	34.15	8
GU19007700	33.44	8	GU19355323	34.19	27	GU23215270	34.15	23
GU19007700	34.02	10	GU19355324	34.19	27	GU23217800	34.05	3
GU19015020	34.01	5	GU19355325	34.19	27	GU23328081	34.18	7
GU19016320	34.01	9	GU19355326	34.19	27	GU23548080	34.18	8
GU19017000	33.21	4	GU19355327	34.19	27	GU23548180	34.18	9
GU19018920	34.11	10	GU19355328	34.19	27	GU23922210	33.40	16
GU19021360	34.03	18	GU19355329	34.19	27	GU23922210	33.41	16
GU19021920	34.03	7	GU19355400	34.19	21	GU23943410	33.32	36
GU19023700	34.03	10	GU19355402	34.19	21	GU27001136	34.02	7
GU19025280	33.10	5	GU19355404	34.19	21	GU27004985	34.01	18
GU19025300	34.03	6	GU19355406	34.19	21	GU27020820	34.04	21
GU19025460	33.10	6	GU19355408	34.19	21	GU27022060	34.03	19
GU19027500	34.05	15	GU19355410	34.19	21	GU27037521	34.05	4
GU19030500	34.05	7	GU19355411	34.19	21	GU27045420	34.05	27
GU19032080	34.05	10	GU19355412	34.19	21	GU27060860	34.04	15
GU19032980	34.03	17	GU19355413	34.19	21	GU27061286	34.04	13
GU19032980	34.05	14	GU19356700	34.19	30	GU27061385	34.04	14
GU19034000	34.05	8	GU19356760	34.13	16	GU27061585	34.04	3
GU19037820	34.03	8	GU19356801	34.19	28	GU27061885	34.04	17
GU19045861	34.05	25	GU19357660	34.19	25	GU27062060	34.04	6
GU19055700	34.05	23	GU19547000	34.18	12	GU27065660	34.04	7
GU19058021	34.05	19	GU19902500	36.58	1	GU27066460	34.04	9
GU19058220	34.05	20	GU19905460	36.57	1	GU27066560	34.04	8
GU19061063	34.04	12	GU19905900	36.57	2	GU27152885	34.01	22
GU19062261	34.04	4	GU19906500	36.57	3	GU27153085	34.11	14
GU19065400	34.04	2	GU19907000	36.56	4	GU27210760	34.13	12
GU19067700	34.04	18	GU19907100	36.56	11	GU27418210	33.20	4
GU19083462	34.12	2	GU19907160	36.57	4	GU27530505	33.32	26
GU19146422	34.11	1	GU19911800	36.57	5	GU27530506	33.32	27
GU19149800	34.11	18	GU19926000	36.56	3	GU27530510	33.32	22
GU19152200	34.11	11	GU19926020	36.57	6	GU27530584	33.32	7
GU19201120	34.14	15	GU19926100	36.56	1	GU27634110	34.19	11
GU19202320	34.14	9	GU19926200	36.56	6	GU28252060	33.21	8
GU19203460	34.12	11	GU19926300	36.58	2	GU28576591	33.29	2
GU19206501	34.19	10	GU19926400	36.56	7	GU28576591	33.44	13
GU19207220	34.14	11	GU19926460	36.58	3	GU28742560	33.48	20
GU19212900	34.15	15	GU19926500	36.56	8	GU28742562	33.48	22
GU19213661	34.15	14	GU19927100	36.57	13	GU28751944	33.59	14
GU19213720	34.15	17	GU19927200	36.58	4	GU29217960	33.44	7
GU19213760	34.13	15	GU19927202	36.58	5	GU29711460	33.44	5



Code	No. table	Pos.	Code	No. table	Pos.	Code	No. table	Pos.
GU29711960	33.44	11	GU32053410	34.05	16	GU32129011	33.52	4
GU29722760	33.47	24	GU32054510	34.05	17	GU32137010	33.39	13
GU29729461	33.47	16	GU32060110	34.04	19	GU32159310	33.09	26
GU29759150	33.39	17	GU32060210	34.04	10	GU32159610	33.09	28
GU29759150	33.46	3	GU32060610	34.04	16	GU32200210	34.14	17
GU30027931	33.48	17	GU32060710	34.04	11	GU32200410	34.12	8
GU30103730	33.24	13	GU32064110	34.04	1	GU32200810	34.14	1
GU30109330	33.10	24	GU32067910	34.12	5	GU32202010	34.15	28
GU30512830	33.32	23	GU32080310	34.12	1	GU32206510	34.14	22
GU30525861	33.32	11	GU32084410	34.12	4	GU32208210	34.14	8
GU30526761	33.32	5	GU32093010	33.39	3	GU32210510	34.15	1
GU30530510	34.45	2	GU32100210	33.24	1	GU32211110	34.15	9
GU30530511	34.45	3	GU32100211	33.24	1	GU32211410	34.15	6
GU30530512	34.45	8	GU32100212	33.24	1	GU32211810	34.15	5
GU30576100	33.09	19	GU32100213	33.24	1	GU32212010	34.15	2
GU30601060	33.39	25	GU32100214	33.24	1	GU32212011	34.15	2
GU30602500	33.39	22	GU32100214Y05	33.24	1	GU32213610	34.15	14
GU30609600	33.46	5	GU32100215	33.24	1	GU32213810	34.14	5
GU30714201	33.44	3	GU32100216	33.24	1	GU32214010	34.15	24
GU30716500	33.47	1	GU32100217	33.24	1	GU32214510	34.15	20
GU30729330	33.48	16	GU32100218	33.24	1	GU32214810	34.15	21
GU30730711	34.45	1	GU32100219	33.24	1	GU32215010	34.15	22
GU30787310	33.59	12	GU32100281	33.24	1	GU32215210	34.15	23
GU30944300	33.50	13	GU32103910	33.24	17	GU32231010	34.16	5
GU30970200	33.50	15	GU32103910	33.49	3	GU32231210	34.16	4
GU31003766	34.01	14	GU32103911	33.24	17	GU32233010	34.16	6
GU31003766	34.12	19	GU32103911	33.49	3	GU32234110	34.16	13
GU31003766	34.14	26	GU32106510	34.06	7	GU32234410	34.16	1
GU31003766	34.19	8	GU32106510	34.06	7	GU32234710	34.16	11
GU31016050	34.11	20	GU32106610	34.06	3	GU32234810	34.16	12
GU31037015	34.05	13	GU32107210	34.06	1	GU32234910	34.16	16
GU31038015	34.05	5	GU32107210	34.07	1	GU32235710	34.16	14
GU31045015	34.05	26	GU32110110	33.09	16	GU32236210	34.16	8
GU31112965	33.48	27	GU32112510	34.08	1	GU32238210	34.16	10
GU31121880	33.10	9	GU32112610	34.08	16	GU32250911	34.17	1
GU31150950	34.11	26	GU32112611	34.08	17	GU32251610	34.17	3
GU31159050	34.11	15	GU32113010	34.08	19	GU32256910	34.17	5
GU31327783	34.18	2	GU32113410	33.09	17	GU32257810	34.17	4
GU31350480	34.19	13	GU32113510	33.09	5	GU32258210	34.17	8
GU31438765	33.29	8	GU32114011	33.09	12	GU32350210	34.18	1
GU31497883	33.31	5	GU32114012	33.09	15	GU32350310	34.19	1
GU31504583	33.32	17	GU32114110	33.09	9	GU32350410	34.19	13
GU31513480	33.32	20	GU32114310	34.08	14	GU32350410	34.19	13
GU31544181	34.18	15	GU32114410	33.09	7	GU32351410	34.19	16
GU31547882	34.18	14	GU32115010	34.08	3	GU32351410	34.19	16
GU31576183	33.31	6	GU32115011	34.08	8	GU32354610	34.19	18
GU31613383	33.34	4	GU32115210	33.51	9	GU32400110	33.20	1
GU31633381	33.35	6	GU32115510	34.08	7	GU32418210	33.48	13
GU31634281	33.38	4	GU32115610	34.08	5	GU32418260	33.20	14
GU31634481	33.35	10	GU32115710	34.08	4	GU32420310	33.21	1
GU31654681	33.38	2	GU32116910	33.09	4	GU32422110	33.21	2
GU31659181	33.38	11	GU32117010	33.39	4	GU32430310	33.52	2
GU31659281	33.38	12	GU32117011	33.39	5	GU32431310	33.21	9
GU31712365	33.44	9	GU32118610	34.06	8	GU32431311	33.52	3
GU31717061	33.47	25	GU32120710	33.10	1	GU32432110	33.22	1
GU31740383	33.42	11	GU32120711	33.10	2	GU32432111	33.22	1
GU32000310	34.01	1	GU32121010	33.10	7	GU32433111	33.52	5
GU32001410	34.02	1	GU32121910	33.10	25	GU32434310	33.27	2
GU32001610	34.02	6	GU32121911	33.10	26	GU32434311	33.27	2
GU32022110	34.03	1	GU32122910	33.10	11	GU32434312	33.27	2
GU32022210	34.03	2	GU32123010	33.10	10	GU32434313	33.27	2
GU32023410	34.03	24	GU32123410	33.10	12	GU32434314	33.27	2
GU32023610	34.03	9	GU32123910	33.10	3	GU32434314	33.27	2
GU32023660	34.03	9	GU32126910	33.10	4	GU32434381	33.27	2
GU32023660	34.03	9	GU32128610	33.10	13	GU32436910	33.27	10
GU32032310	34.05	11	GU32128680	33.10	13	GU32439210	33.51	3
GU32051710	34.05	28	GU32129010	33.10	14	GU32441210	33.23	17



Code	No. table	Pos.	Code	No. table	Pos.	Code	No. table	Pos.
GU32442310	33.23	11	GU32555210	33.33	4	GU32678110	33.37	5
GU32442710	33.23	14	GU32555211	33.33	5	GU32703810	33.44	2
GU32443210	33.23	4	GU32570510	33.27	5	GU32712411	33.44	1
GU32443211	33.23	10	GU32571510	33.27	6	GU32718010	34.08	21
GU32457810	33.20	11	GU32573110	33.30	1	GU32718310	33.47	9
GU32460510	33.28	4	GU32573111	33.30	1	GU32724510	33.47	12
GU32460510	33.28	4	GU32573112	33.30	1	GU32727010	33.10	21
GU32460510	33.28	4	GU32573113	33.30	1	GU32727010	33.47	19
GU32460510	33.28	4	GU32573114	33.30	1	GU32729510	33.48	5
GU32460511	33.28	4	GU32573114	33.30	2	GU32735510	33.49	5
GU32460580	33.28	4	GU32573210Y05	33.26	2	GU32735511	33.49	5
GU32462110	33.49	10	GU32573310Y05	33.26	4	GU32736810	33.49	1
GU32464310	33.30	2	GU32575180	33.53	1	GU32736811	33.49	1
GU32466810	33.49	4	GU32575210	33.25	1	GU32737210	33.49	8
GU32472681	33.30	1	GU32575211	33.25	1	GU32738010	33.39	15
GU32472881	33.30	13	GU32576210	33.26	2	GU32738810	33.39	6
GU32474610	33.29	3	GU32576211	33.26	2	GU32740210	33.42	12
GU32474710	33.43	14	GU32576212	33.26	2	GU32740410	33.42	13
GU32476210	33.28	2	GU32576213	33.26	2	GU32740411	33.42	13
GU32476210Y05	33.28	2	GU32576214	33.26	2	GU32740510	33.42	2
GU32476211	33.28	2	GU32576215	33.26	2	GU32740511	33.42	2
GU32476212	33.28	2	GU32576281	33.26	2	GU32740910	33.43	2
GU32476213	33.28	2	GU32576310	33.26	4	GU32741710	33.43	17
GU32476281	33.28	2	GU32576311	33.26	4	GU32742880	33.59	13
GU32476310	33.28	5	GU32576312	33.26	4	GU32743710	33.42	8
GU32476310Y05	33.28	5	GU32576313	33.26	4	GU32745710	33.40	7
GU32476311	33.28	5	GU32576314	33.26	4	GU32745710	33.41	7
GU32476312	33.28	5	GU32576315	33.26	4	GU32747110	33.46	2
GU32476313	33.28	5	GU32576381	33.26	4	GU32747110	33.47	13
GU32476381	33.28	5	GU32576610	33.26	1	GU32747110	33.48	1
GU32476410	33.26	7	GU32576610	33.26	1	GU32747610	33.48	3
GU32479610	33.30	9	GU32576710	33.26	5	GU32747910	33.48	2
GU32479611	33.30	8	GU32576710	33.26	5	GU32748010	33.48	15
GU32485080	33.59	3	GU32579110	33.28	1	GU32750610	33.42	4
GU32486580	33.59	4	GU325791100C	33.28	1	GU32750610	33.43	3
GU32486810	33.59	5	GU32579111	33.28	1	GU32750611	33.42	4
GU32489310	33.59	7	GU32579180	33.28	1	GU32750611	33.43	3
GU32490210	33.31	1	GU32579210	33.28	6	GU32750910	33.43	18
GU32494010	33.27	1	GU325792100C	33.28	6	GU32750910	33.59	10
GU32494110	33.32	19	GU32579211	33.28	6	GU32751610	33.42	5
GU32500410	33.32	31	GU32579280	33.28	6	GU32751610	33.43	1
GU32504210	33.32	35	GU32586682	33.59	20	GU32751611	33.42	5
GU32506360	33.42	1	GU32586782	33.59	21	GU32751611	33.43	1
GU32517710	33.48	28	GU32600310	33.39	10	GU32753410	33.42	3
GU32522510	33.32	29	GU32603010	33.39	16	GU32753710	33.42	14
GU32522610	33.32	4	GU32603310	33.39	7	GU32753710	33.43	15
GU32525410	33.32	10	GU32605510	33.39	11	GU32753711	33.42	14
GU32526310	33.32	16	GU32610310	33.34	1	GU32753711	33.43	15
GU32526610	33.32	15	GU32614110	33.34	6	GU32760010	33.40	1
GU32530501	33.32	8	GU32615210	33.34	3	GU32760011	33.40	1
GU32530502	33.32	13	GU32616310	33.34	7	GU32760060	33.41	1
GU32530503	33.32	14	GU32630610	33.35	1	GU32760061	33.41	1
GU32530504	33.32	28	GU32632510	33.35	5	GU32761810	33.40	3
GU32530505	33.32	34	GU32634010	33.35	3	GU32761810	33.41	3
GU32530506	33.32	24	GU32634111	33.35	9	GU32762010	33.40	2
GU32530508	34.08	2	GU32634111	33.38	5	GU32762810	33.40	6
GU32530509	34.08	18	GU32635710	33.35	7	GU32762810	33.41	6
GU32530610	33.32	37	GU32635860	33.38	3	GU32762910	33.40	5
GU32530611	33.32	38	GU32639510	33.37	6	GU32762910	33.41	5
GU32540210	34.18	11	GU32650010	33.36	1	GU32766210	33.40	4
GU32540260	34.18	11	GU32652210	33.36	13	GU32766210	33.41	4
GU32540260	34.18	11	GU32653010	33.38	1	GU32766560	33.41	2
GU32540260	34.18	11	GU32654610	33.36	17	GU32766610	33.40	20
GU32544510	33.23	7	GU32657110	33.36	16	GU32766810	33.40	15
GU32544511	33.23	15	GU32657510	33.38	6	GU32766810	33.41	15
GU32550210	33.33	1	GU32675210	33.37	10	GU32766811	33.53	3
GU32550211	33.33	1	GU32677011	33.37	1	GU32768710	34.11	8



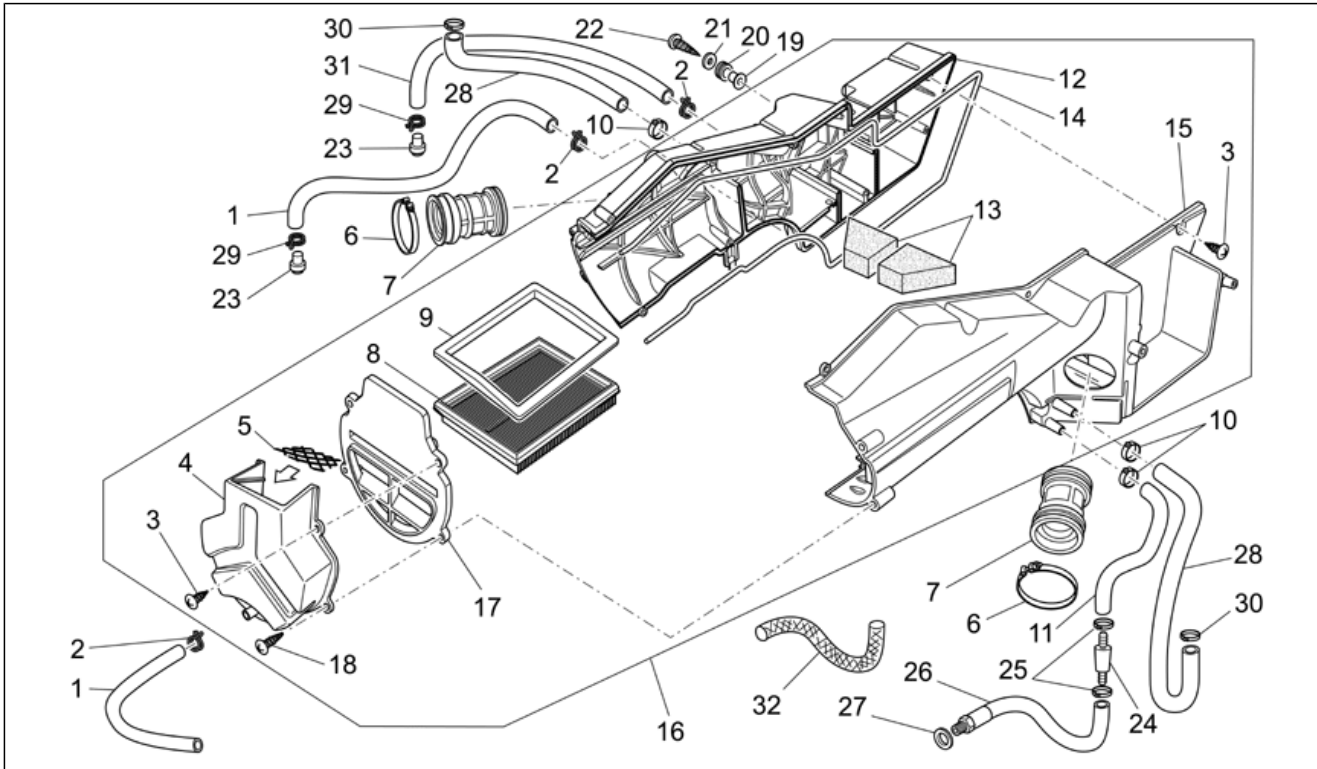
Code	No. table	Pos.	Code	No. table	Pos.	Code	No. table	Pos.
GU32768810	34.11	9	GU90353009	34.03	4	GU92606508	34.13	3
GU32769410	33.39	2	GU90353029	34.05	24	GU92606512	34.14	14
GU32769460	33.39	27	GU90353030	34.19	17	GU92606516	33.44	4
GU32769510	33.50	7	GU90400616	34.13	11	GU92630104	33.47	5
GU32769810	33.39	1	GU90402841	34.14	3	GU92630206	33.42	7
GU32769860	33.39	28	GU90402842	34.02	9	GU92630206	33.43	9
GU32781810	33.42	22	GU90403246	34.12	20	GU92630310	33.22	6
GU32781910	33.29	19	GU90403251	34.19	38	GU92630510	33.20	3
GU32782510	33.40	17	GU90403549	34.19	3	GU92630707	33.47	8
GU32782510	33.41	17	GU90407590	34.19	15	GU92630707	34.17	9
GU32782510	33.49	2	GU90407591	34.19	15	GU92640508	33.10	19
GU32900010	33.50	6	GU90407591	34.19	15	GU92650138	33.52	11
GU32900011	33.50	6	GU90706076	34.01	29	GU92660208	33.37	20
GU32900012	33.50	6	GU90706111	34.11	22	GU92787008	34.18	19
GU32909910	33.50	5	GU90706140	34.14	4	GU93110060	33.29	10
GU32909911	33.50	10	GU90706141	33.47	23	GU93180105	34.18	21
GU32917310	33.50	8	GU90706170	34.13	8	GU93180220	34.12	9
GU32917311	33.50	8	GU90706188	34.15	18	GU93180245	34.03	22
GU32917312	33.50	8	GU90706188	34.19	29	GU93222023	33.40	11
GU32917312	33.50	8	GU90706203	34.14	25	GU93222023	33.41	11
GU32917410	33.50	4	GU90706203	34.19	7	GU93301175	33.10	31
GU32917411	33.50	4	GU90706235	34.13	14	GU93305057	34.08	13
GU32917412	33.50	4	GU90706281	34.01	19	GU93305061	33.09	6
GU32917412	33.50	4	GU90706444	34.01	17	GU93305061	34.08	15
GU32923315	33.50	12	GU90706584	34.19	37	GU93450105	33.42	9
GU32926110	33.25	5	GU90714082	33.09	27	GU93450126	33.42	15
GU32926310	33.50	1	GU91113826	33.10	29	GU93450126	33.43	16
GU32926310	33.50	1	GU91120507	33.43	13	GU93450127	33.42	15
GU32926311	33.50	1	GU91120512	33.25	6	GU93450232	33.42	10
GU32926312	33.50	11	GU91120812	33.27	3	GU94321074	33.39	12
GU32926313	33.50	11	GU91180711	33.43	8	GU94321079	34.11	24
GU32944210	33.30	12	GU91181003	33.39	29	GU94321099	34.18	6
GU32944310	33.50	9	GU91181039	33.32	25	GU94321105	34.13	4
GU32991010	34.01	28	GU91551010	33.09	20	GU95004210	33.47	18
GU32991510	34.14	21	GU91600450	33.44	10	GU95005306	33.10	28
GU32991511	34.14	21	GU92201070	34.19	14	GU95005306	33.40	10
GU32999010	34.01	25	GU92201120	34.14	20	GU95005306	33.41	10
GU32999510	34.01	24	GU92201220	34.15	16	GU95005308	34.18	22
GU35214300	34.18	13	GU92201225	34.12	10	GU95005312	33.24	16
GU39094200	33.39	18	GU92204215	34.14	2	GU95005330	33.33	3
GU39238100	34.15	25	GU92204217	33.35	4	GU95007205	33.29	21
GU49609601	33.38	17	GU92204218	33.35	13	GU95008204	33.47	4
GU49609601	33.48	25	GU92204221	33.34	2	GU95008205	33.47	22
GU53429500	33.21	3	GU92218417	34.15	10	GU95008206	33.47	7
GU61027200	34.04	20	GU92230320	34.15	13	GU95008206	34.11	23
GU61036801	34.03	3	GU92234716	34.15	26	GU95008208	33.20	6
GU61038100	34.05	6	GU92249220	34.19	32	GU95008208	34.45	10
GU61054900	34.05	18	GU92249225	33.31	2	GU95008210	33.20	12
GU61108500	33.09	29	GU92249227	34.19	20	GU95008210	33.20	8
GU61108500	33.24	7	GU92251028	34.15	7	GU95008210	33.21	6
GU61127220	33.10	15	GU92252210	34.11	2	GU95008210	34.12	13
GU61127520	33.10	20	GU92252235	34.19	5	GU95008210	34.18	17
GU61270300	34.01	6	GU92296723	34.11	6	GU95008213	33.52	7
GU61270300	34.03	21	GU92602406	34.05	9	GU95008305	33.39	20
GU61270300	34.12	17	GU92602510	34.11	19	GU95008306	33.49	14
GU61270300	34.19	26	GU92603010	34.03	11	GU95008308	33.38	10
GU66103415	33.24	15	GU92606206	33.37	22	GU95020105	33.22	13
GU66530505	33.32	32	GU92606206	33.38	16	GU95021105	33.39	21
GU89000573	33.24	1	GU92606206	33.40	13	GU95021206	33.37	26
GU89000573Y05	33.24	1	GU92606206	33.41	13	GU95021206	33.40	12
GU90271018	34.05	12	GU92606208	34.01	7	GU95021206	33.41	12
GU90271117	34.15	29	GU92606208	34.12	18	GU95100059	33.09	21
GU90271121	34.15	19	GU92606210	33.20	9	GU95100116	34.08	12
GU90271124	34.15	4	GU92606210	33.21	5	GU95100139	33.33	2
GU90272023	34.18	4	GU92606210	33.33	7	GU95100141	33.22	7
GU90272075	34.12	3	GU92606210	34.18	18	GU95100141	33.29	11
GU90274026	34.16	3	GU92606316	33.35	11	GU95100141	33.43	6



Code	No. table	Pos.	Code	No. table	Pos.
GU95100244	34.05	30	GU98680360	33.47	6
GU95100309	34.11	27	GU98680435	34.12	15
GU95100602	34.11	25	GU98680435	34.14	19
GU95100709	34.01	21	GU98680440	33.10	17
GU95129115	34.05	22	GU98680440	33.23	20
GU95129180	34.01	27	GU98680445	33.54	6
GU95129180	34.03	13	GU98680445	33.59	8
GU95129181	33.33	6	GU98680450	33.37	4
GU95129260	34.17	10	GU98680450	34.12	16
GU95187006	34.11	13	GU98680545	34.18	16
GU95500222	34.13	6	GU98680555	33.20	10
GU95500228	33.52	6	GU98682212	33.47	21
GU95780271	34.13	5	GU98682314	34.14	6
GU96451316	33.38	14	GU98682322	34.08	9
GU96451430	34.01	3	GU98682322	34.17	11
GU96451560	34.01	2	GU98682325	34.01	11
GU96506042	34.03	5	GU98682325	34.02	3
GU96508055	34.01	4	GU98682330	34.02	4
GU96508055	34.19	12	GU98682330	34.12	14
GU96508145	34.03	20	GU98682330	34.14	18
GU96510181	34.03	15	GU98682414	33.24	3
GU96510214	34.03	14	GU98682425	33.23	18
GU97202325	33.39	26	GU98682430	33.30	3
GU97202420	33.42	16	GU98682430	33.54	5
GU97260415	33.40	19	GU98682430	33.55	4
GU97270212	34.08	20	GU98682430	33.59	9
GU973221100005	33.52	1	GU98682530	33.20	2
GU98052560	33.32	33	GU98690230	33.24	6
GU98054422	34.05	29	GU98692216	33.24	5
GU98082435	34.45	9	GU98692225	33.25	3
GU98082565	33.21	7	GU98692325	33.25	3
GU98084314	34.11	12	GU98692325	34.03	16
GU98084314	34.12	12	GU98692430	33.25	2
GU98084316	34.12	7	GU98880540	33.42	23
GU98084330	33.37	21	GU98882316	34.05	21
GU98110007	33.10	23	GU99210311	33.40	8
GU98110199	33.20	7	GU99220207	33.46	6
GU98210616	33.31	7			
GU98210616	33.51	4			
GU98230510	33.29	20			
GU98230510	33.39	19			
GU98230612	34.16	7			
GU98257618	34.16	15			
GU98310609	34.08	11			
GU98350325	33.49	13			
GU98350416	33.20	5			
GU98370412	33.36	4			
GU98370609	33.10	27			
GU98370609	33.40	9			
GU98370609	33.41	9			
GU98370621	33.43	4			
GU98370655	33.42	6			
GU98370825	33.27	4			
GU98370831	33.25	2			
GU98370840	33.53	4			
GU98612216	33.22	12			
GU98620330	33.32	3			
GU98620335	34.11	7			
GU98620540	33.32	18			
GU98632322	34.17	6			
GU98680125	33.47	3			
GU98680222	33.43	12			
GU98680265	33.44	6			
GU98680335	33.37	14			
GU98680335	34.02	8			
GU98680335	34.14	27			
GU98680340	33.39	8			

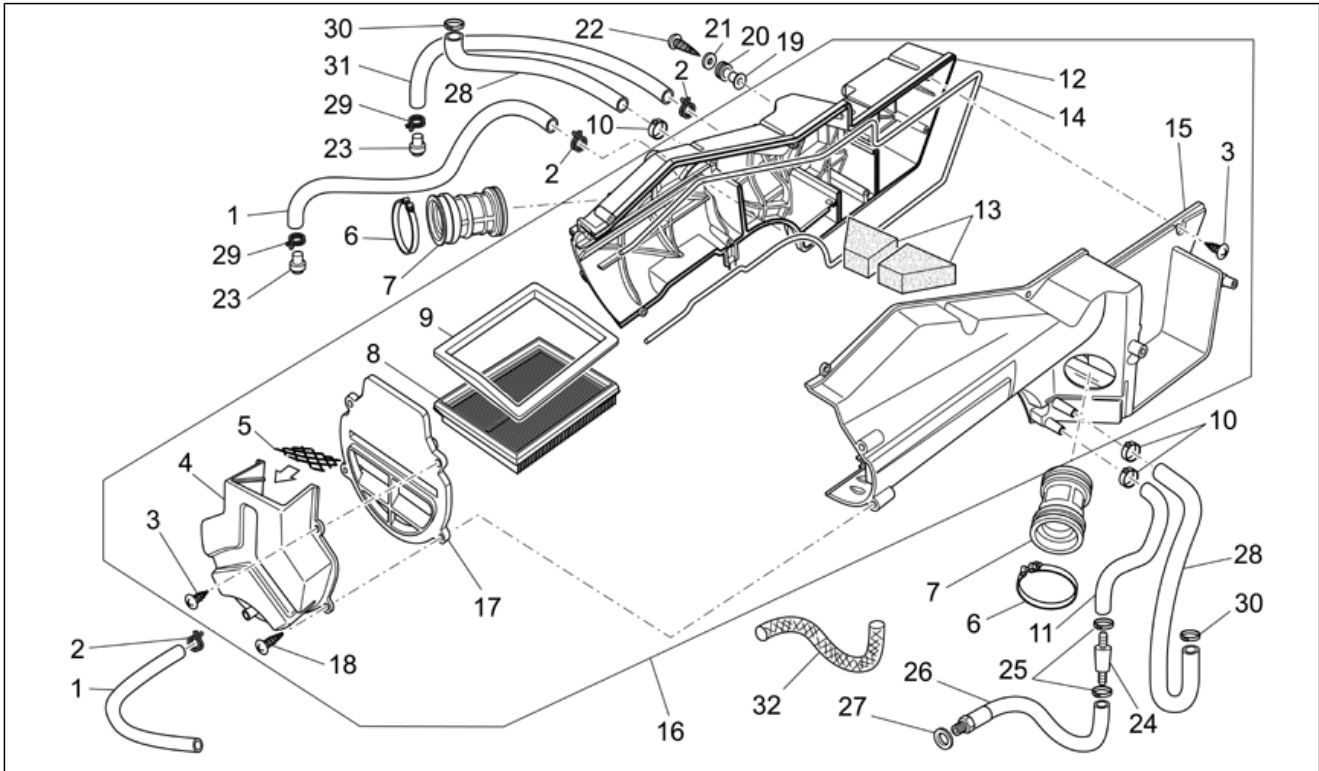


Group	FRAME
Code	33.09
Description	Air box
Service	1



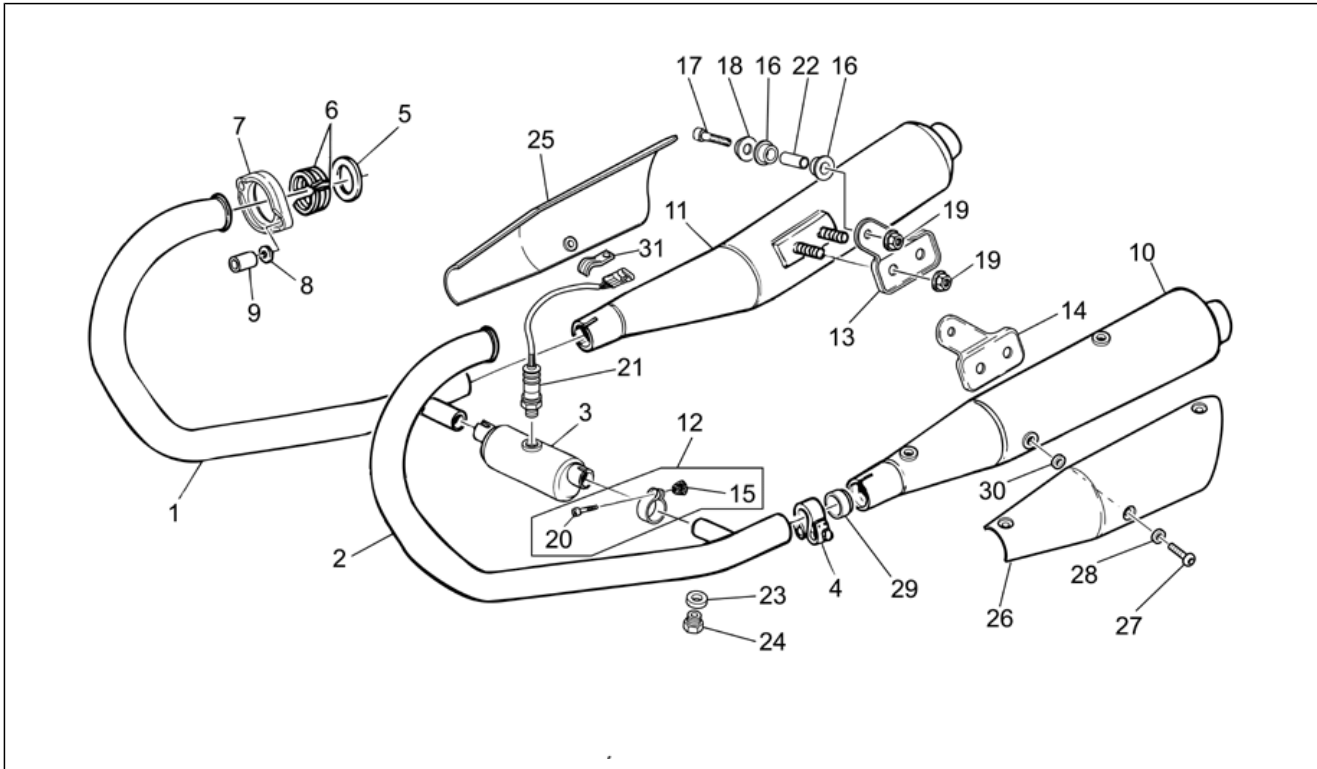
Pos.	Code	Description	Qty	Variants
1	AP8120952	Fuel pipe 5,5x10	2	
2	AP8201358	Hose clamp D 11,9	3	
3	AP8150413	Self-tap screw 3,9x14	12	
4	GU32116910	Filter cover	1	
5	GU32113510	Filter mesh	1	
6	GU93305061	Hose clamp 61/65,5	2	
7	GU32114410	Intake hose	2	
8	AP8104242	Air filter	1	
9	GU32114110	Maintenance	1	
10	AP8102766	Hose clamp	3	
11	AP8120772	Breather pipe	1	
12	GU32114011	RH Bearing shell	1	
13	AP8104525	Filter blow-by	2	
14	AP8120615	Gasket D3	3	
15	GU32114012	LH Bearing shell	1	
16	GU32110110	Air box	1	
17	GU32113410	Cover	1	
18	AP8152329	Phillips screw, SWP M5x20	3	
19	GU30576100	Spacer D.6,5	3	
20	GU91551010	Rubber spacer	3	
21	GU95100059	Washer 5,25x14x1,5	3	
22	AP8152329	Phillips screw, SWP M5x20	3	
23	AP8120876	Plug	3	
24	AP8104251	Oil breather valve	1	
25	AP8102159	Hose clamp	2	
26	GU32159310	Breather	1	
27	GU90714082	Gasket	1	
28	GU32159610	Breather pipe	2	

Group	FRAME
Code	33.09
Description	Air box
Service	1



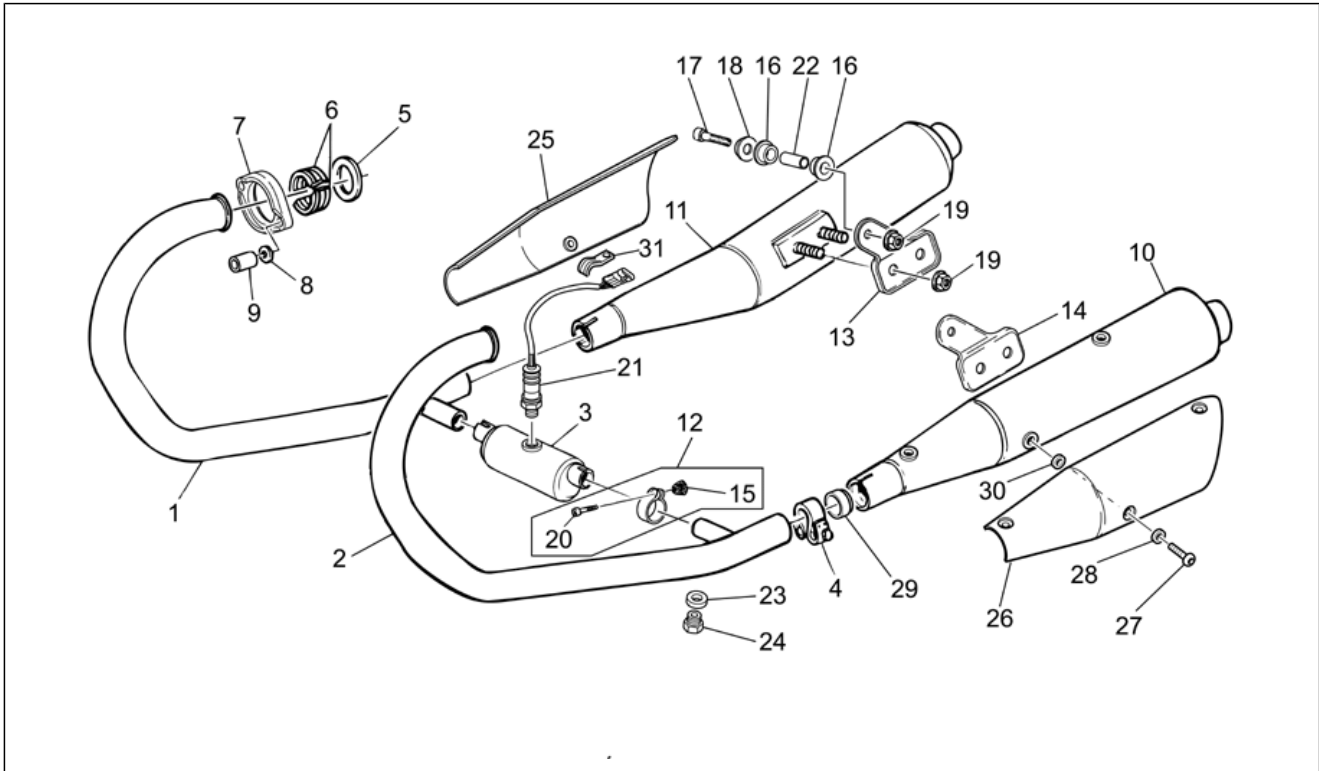
Pos.	Code	Description	Qty	Variants
29	GU61108500	Hose clamp D9	2	
30	AP8102239	Hose clamp 12,5x8	2	
31	AP8144038	Fuel pipe 6x10	1	
32	GU00823923140	Thermal sheath	1	

Group	FRAME
Code	33.10
Description	Exhaust unit
Service	1



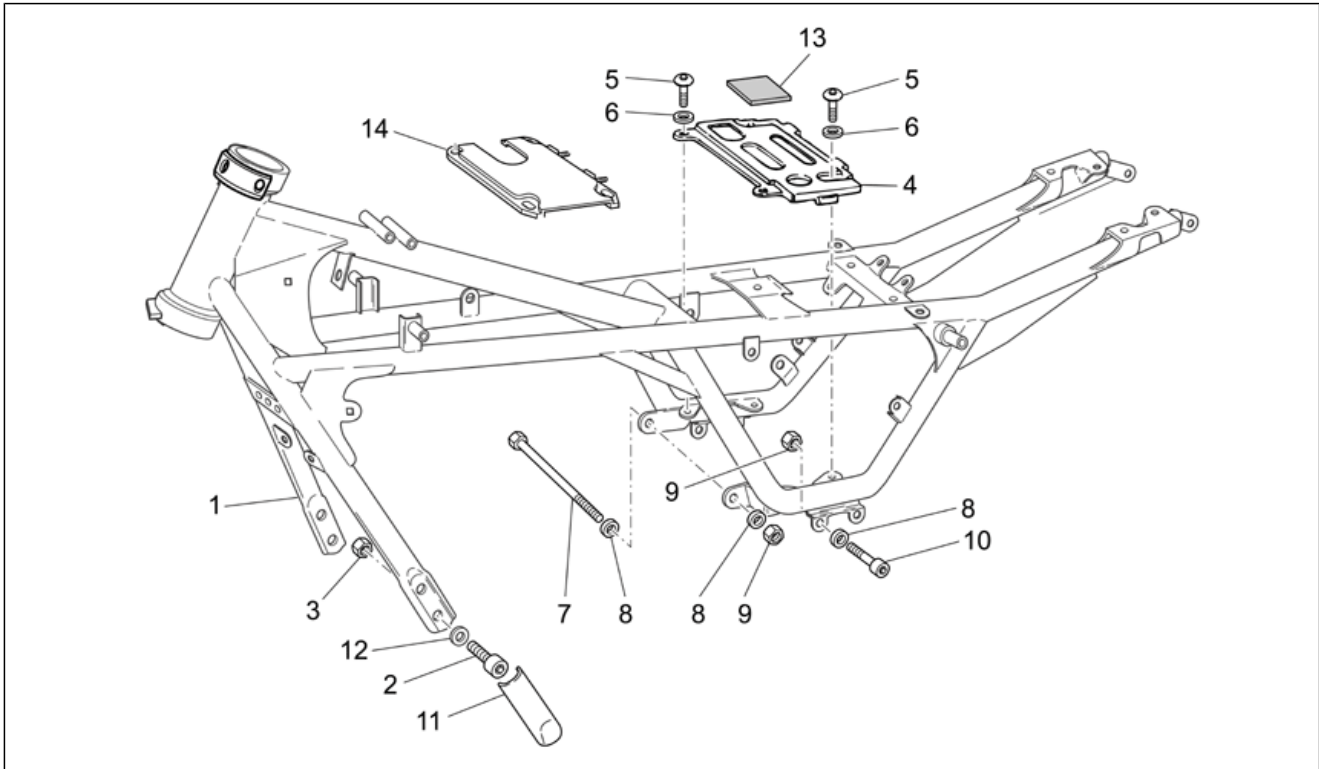
Pos.	Code	Description	Qty	Variants
1	GU32120710	RH exhaust pipe	1	
2	GU32120711	LH exhaust pipe	1	
3	GU32123910	Expansion chamber	1	
4	GU32126910	Hose clamp	2	
5	GU19025280	Gasket	2	
6	GU19025460	Spacer	4	
7	GU32121010	Ring nut	2	
8	GU03013800	Washer 6,4x12	4	
9	GU31121880	Nut	4	
10	GU32123010	LH silencer	1	
11	GU32122910	RH silencer	1	
12	GU32123410	Hose clamp	2	
13	GU32128610	RH plate	1	Vehicle colour: Breva Red 2003[b/re], Guzzi Black/Light Grey 2007[blg/lg], Guzzi Black 2006[g/bl], Grigna Grey 2003[g/gr], Mica White 2006 ica White 2006[m/wh], Ollare Black 2003[o/bl], Race Red 2005[r/re], Race Red 2006[r/red], Cyan 2006[s/bl]
13	GU32128680	RH plate	1	Vehicle colour: Municipal Police[pa], Pubblica Amministrazione Mauritius[pa.m]
14	GU32129010	LH plate	1	
15	GU61127220	Ring nut	2	
16	AP8144071	Rubber exhaust	4	
17	GU98680440	Hex socket screw M8x40	2	
18	AP8134378	Silencer fixing bush	2	
19	GU92640508	Nut M8	6	
20	GU61127520	screw	2	
21	GU32727010	Lamda sensor	1	
22	AP8121072	Spacer	2	
23	GU98110007	Cover	2	

Group	FRAME
Code	33.10
Description	Exhaust unit
Service	1



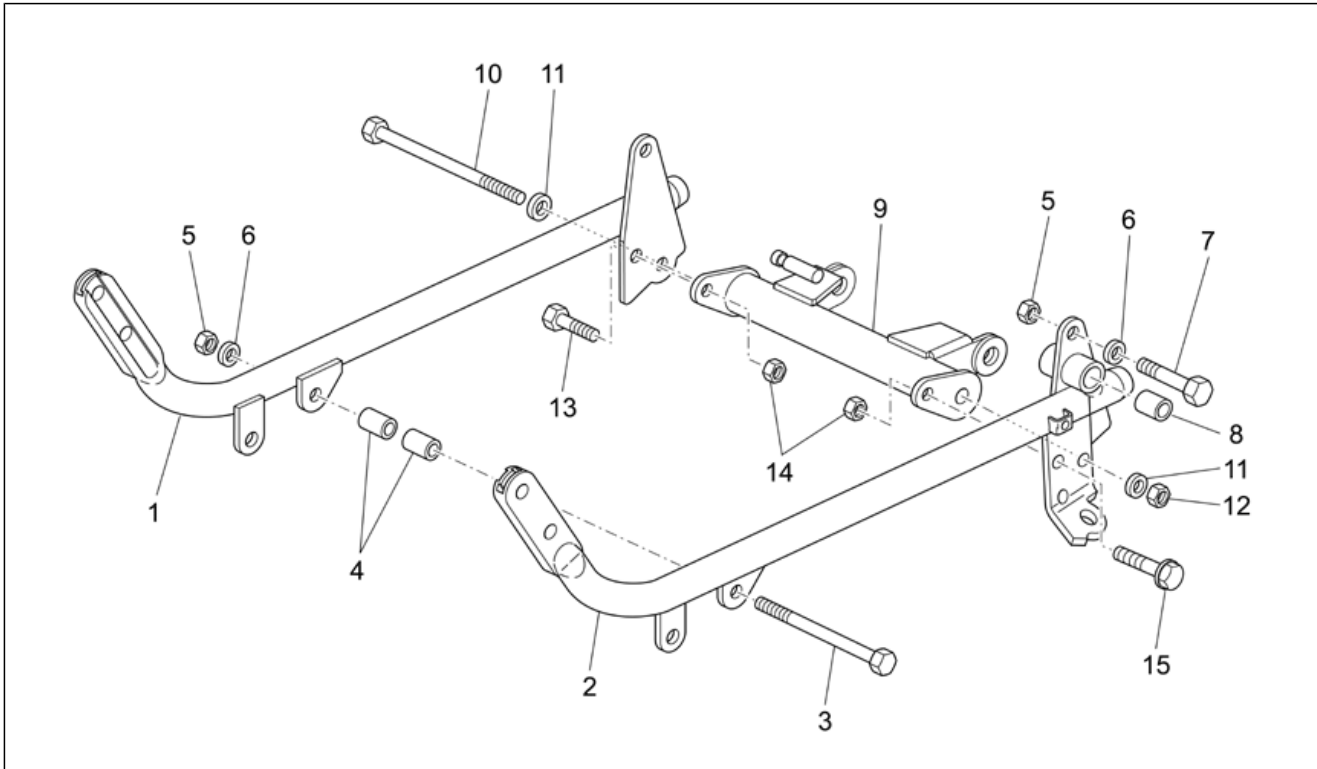
Pos.	Code	Description	Qty	Variants
24	GU30109330	Gasket	2	
25	GU32121910	RH protection	2	
26	GU32121911	LH protection	1	
27	GU98370609	Hex socket screw M6x10	6	
28	GU95005306	Washer 6,4x13x1,5	6	
29	GU91113826	Bushing	2	
30	AP8221297	Insulating washer	6	
31	GU93301175	U-bolt	1	

Group	FRAME
Code	33.20
Description	Frame I
Service	1



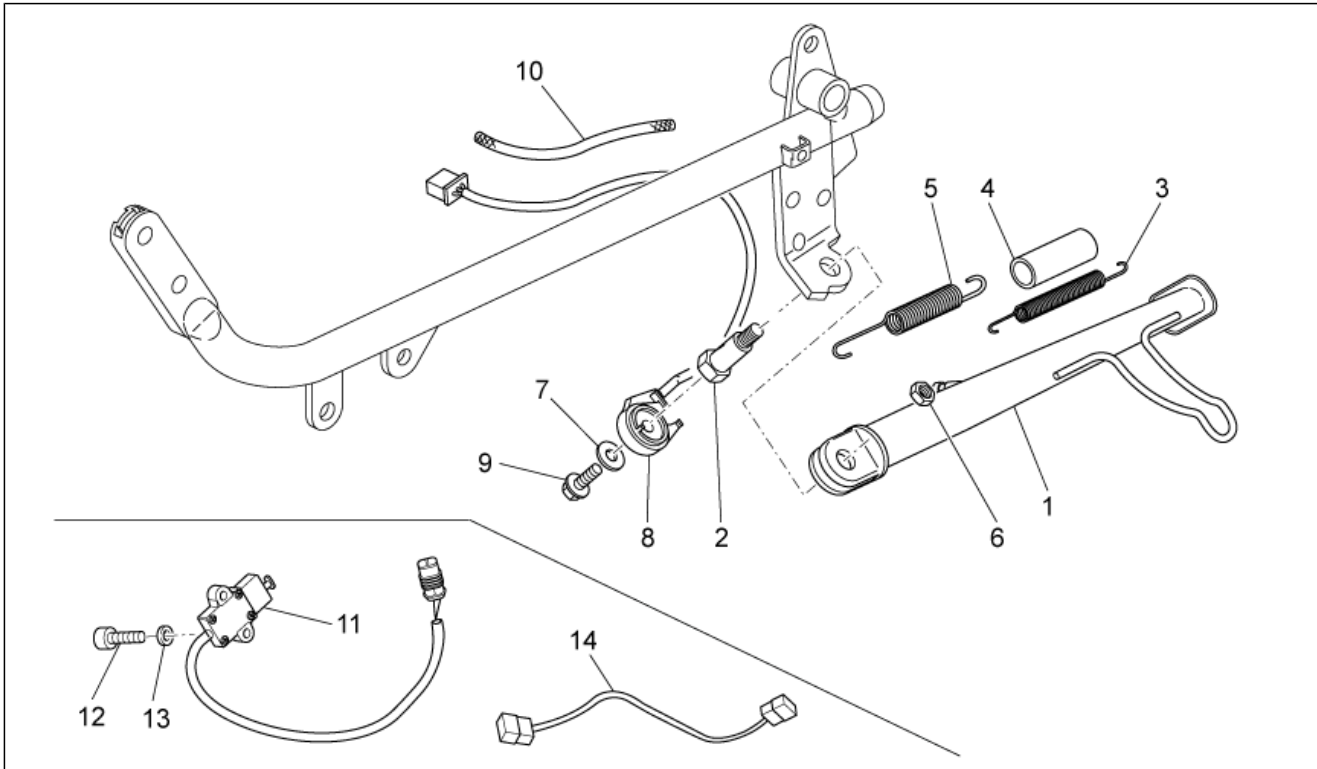
Pos.	Code	Description	Qty	Variants
1	GU32400110	Frame assy black	1	
2	GU98682530	Hex socket screw M10x30	4	
3	GU92630510	Nut M10x1,5	4	
4	GU27418210	Plate	1	Year:2003[3], 2004[4], 2005[5]
5	GU98350416	Hex socket screw M8x16	4	
6	GU95008208	Washer 8,4X15X1,5	4	
7	GU98110199	Pin M10x205	1	
8	GU95008210	Washer 10,2X18X2	7	
9	GU92606210	Nut M10x1,5	3	
10	GU98680555	screw M10x55	2	
11	GU32457810	Guard	2	
12	GU95008210	Washer 10,2X18X2	4	
13	GU01103860	Vibration-damping rubber	1	
14	GU32418260	Plate	1	Year:2006[6], 2007[7]

Group	FRAME
Code	33.21
Description	Frame II
Service	1



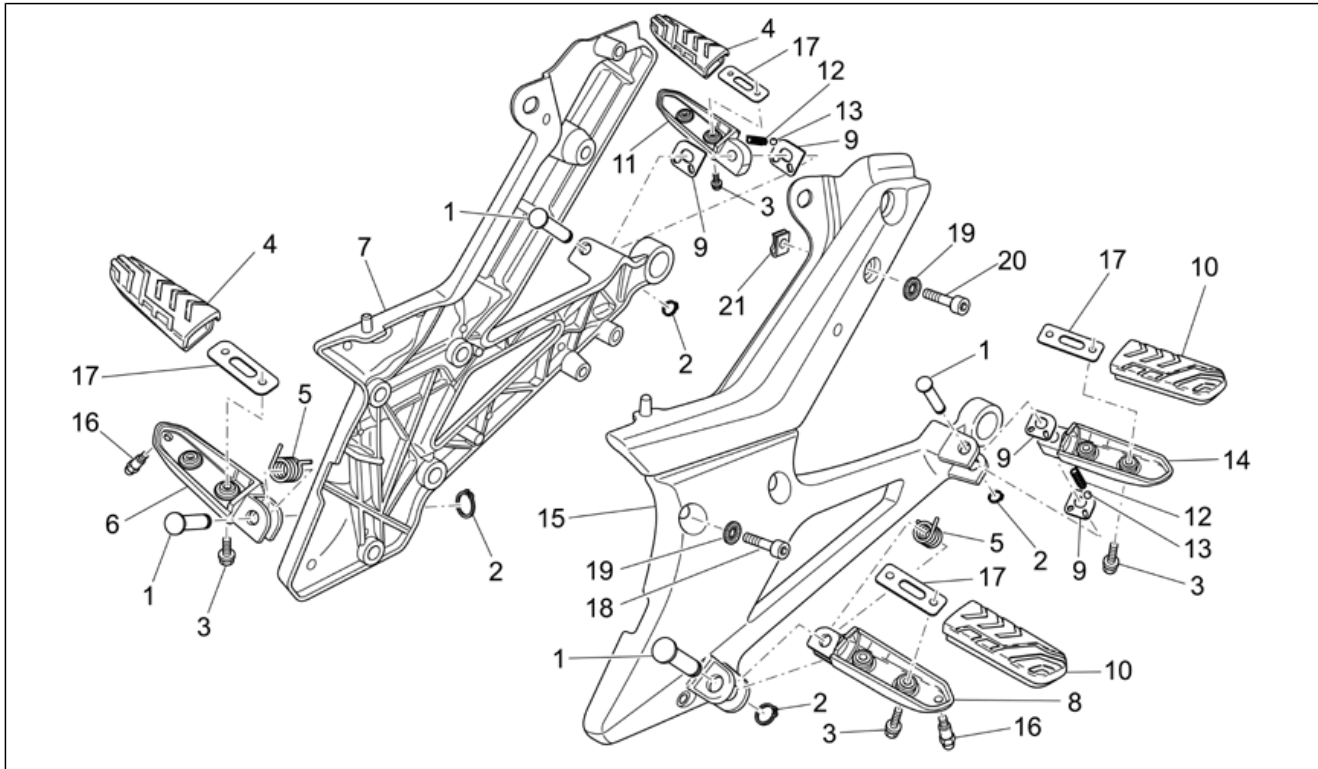
Pos.	Code	Description	Qty	Variants
1	GU32420310	RH arm polished black	1	
2	977096	LH arm polished black	1	Technical Specifications: With linear switch[V2]
2	GU32422110	LH arm polished black	1	Technical Specifications: With rotating switch[V1]
3	GU53429500	Pin M10x250	1	
4	GU19017000	Bushing	2	
5	GU92606210	Nut M10x1,5	3	
6	GU95008210	Washer 10,2X18X2	3	
7	GU98082565	screw M10x65	2	
8	GU28252060	Bush 18 mm est.	2	
9	GU32431310	Cradle arms conn.crosspiece	1	
10	AP8121367	Pin M10x260	1	
11	AP8152220	Washer	2	
12	AP8150436	Low self-locking nut	1	
13	AP8152287	Screw w/ flange M8x25	1	
14	AP8152300	Self-locking nut M8	1	
15	AP8152288	Screw w/ flange	1	

Group	FRAME
Code	33.22
Description	Lateral stand
Service	1



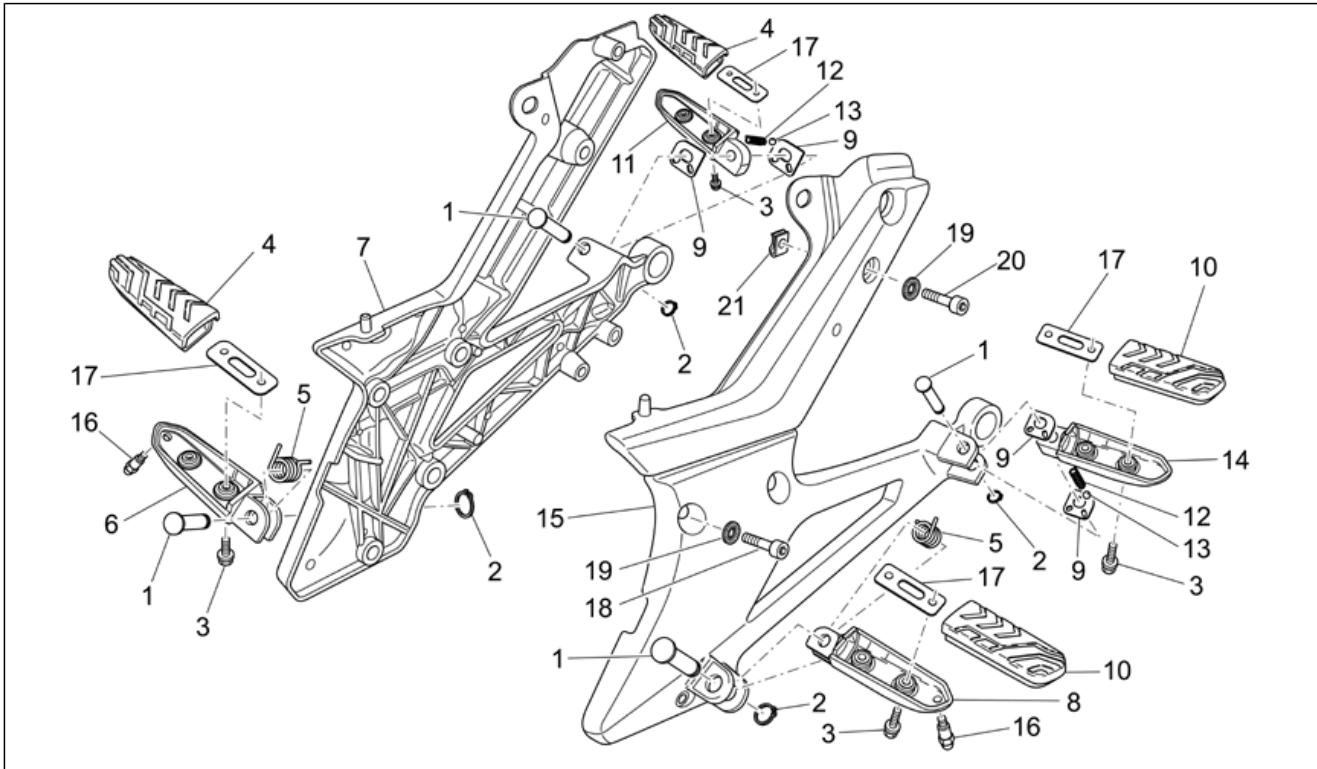
Pos.	Code	Description	Qty	Variants
1	977088	Side arm black	1	Country: Australia[AUS], Spain[E], Other country Europe[EU], Japan[J], Great Britain[UK] Technical Specifications: With linear switch[V2]
1	977094	Side arm black	1	Country: United States of America[USA] Technical Specifications: With linear switch[V2]
1	GU32432110	Side arm black	1	Country: Australia[AUS], Spain[E], Other country Europe[EU], Japan[J], Great Britain[UK] Technical Specifications: With rotating switch[V1]
1	GU32432111	Side arm black	1	Country: United States of America[USA] Technical Specifications: With rotating switch[V1]
2	AP8121375	Central stand fixing screw	1	
3	AP8121014	Coil pull spring *	1	
4	AP8102524	Stand spring protection	1	
5	AP8221197	Lateral stand spring	1	
6	GU92630310	Nut	1	
7	GU95100141	Washer 6,4x12x1,2	1	
8	AP8124977	Rotary switch	1	
9	AP8152278	Screw w/ flange M6x16	1	
10	GU00823923140	Thermal sheath	1	
11	639542	Button for the side stand	1	
12	GU98612216	Hex socket screw	2	
13	GU95020105	Washer 5,3x8,9x2,4	2	
14	977293	Adapter cable	1	Technical Specifications: With linear switch[V2]

Group	FRAME
Code	33.23
Description	Foot rests
Service	1



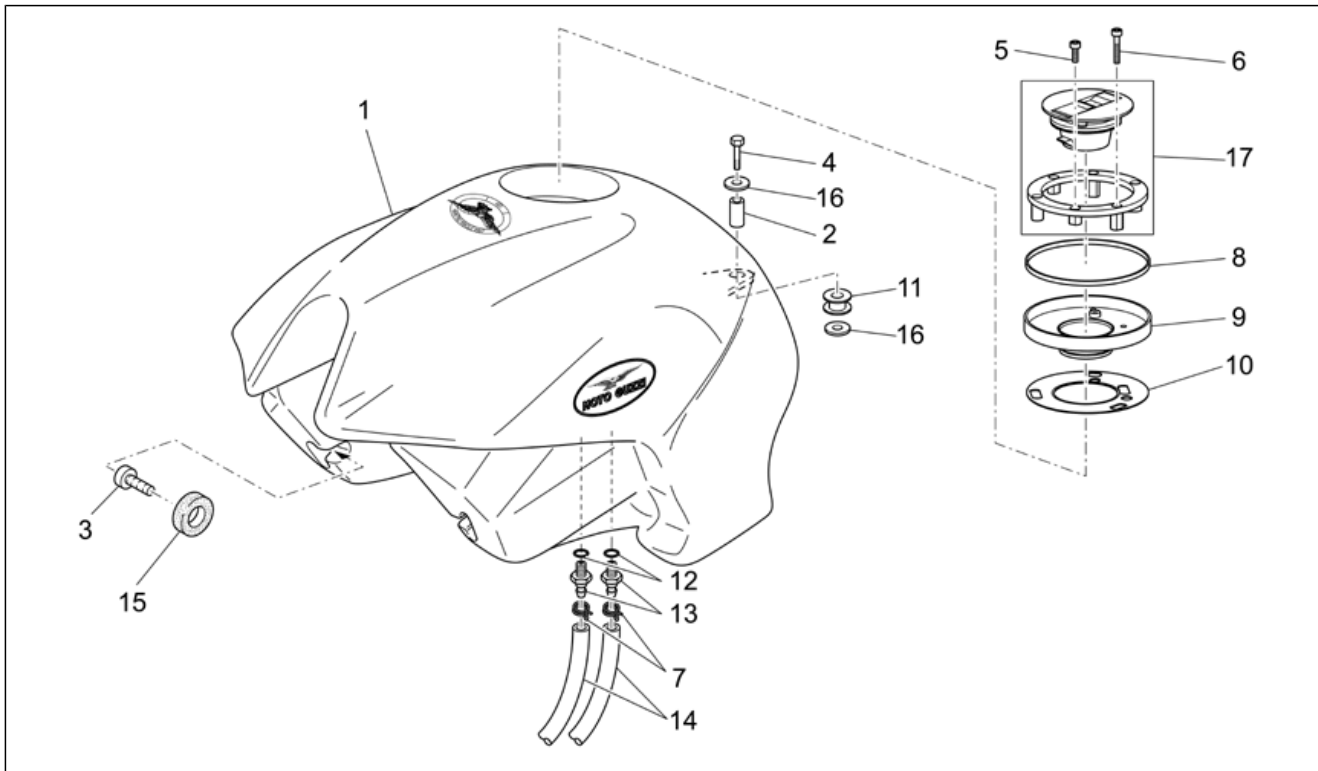
Pos.	Code	Description	Qty	Variants
1	AP8121567	Pin	4	
2	AP8152409	Stop ring	4	
3	AP8152277	Screw w/ flange M6x12	8	
4	GU32443210	Support rubber part	2	
5	AP8221277	Footrest return spring	2	
6	AP8145034	RH Foot rests	1	
7	977300	RH plate	1	Year: 2007[7] Vehicle colour: Guzzi Black/Light Grey 2007[blg/lg], Municipal Police[pa], Pubblica Amministrazione Mauritius[pa.m], Race Red 2006[r/red]
7	977300	RH plate	1	Year: 2006[6] Vehicle colour: Guzzi Black 2006[g/bl], Mica White 2006 ica White 2006[m/wh], Race Red 2006[r/red], Cyan 2006[s/bl]
7	GU32544510	RH plate	1	Year: 2003[3], 2004[4], 2005[5] Vehicle colour: Breva Red 2003[b/re], Grigna Grey 2003[g/gr], Ollare Black 2003[o/bl], Race Red 2005[r/re]
8	AP8145035	LH Foot rests	1	
9	AP8134451	Footrest plate	4	
10	GU32443211	Support rubber part	2	
11	GU32442310	Rear footrest, RH	1	
12	AP8121133	Coil compress. spring	2	
13	AP8101861	Ball D6,35	2	
14	GU32442710	Rear footrest, LH	1	
15	977301	LH plate	1	Year: 2006[6] Vehicle colour: Guzzi Black 2006[g/bl], Mica White 2006 ica White 2006[m/wh], Race Red 2006[r/red], Cyan 2006[s/bl]
15	977301	LH plate	1	Year: 2007[7] Vehicle colour: Guzzi Black/Light Grey 2007[blg/lg], Municipal Police[pa], Pubblica Amministrazione Mauritius[pa.m], Race Red 2006[r/red]
15	GU32544511	LH plate	1	Year: 2003[3], 2004[4], 2005[5]

Group	FRAME
Code	33.23
Description	Foot rests
Service	1



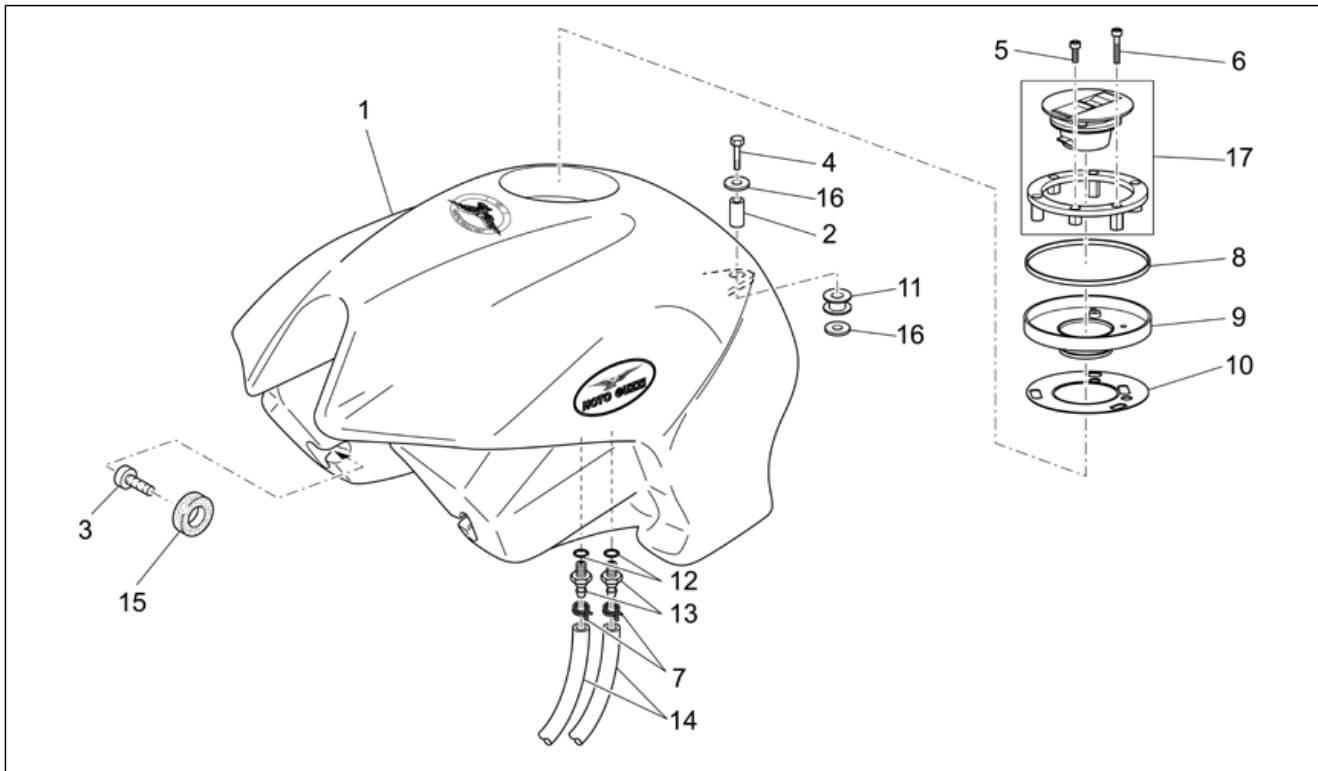
Pos.	Code	Description	Qty	Variants
				Vehicle colour: Brevia Red 2003[b/re], Grigna Grey 2003[g/gr], Ollare Black 2003[o/bl], Race Red 2005[r/re]
16	AP8121134	Footrest pin	2	
17	GU32441210	Plate	4	
18	GU98682425	Hex socket screw M8x25	6	
19	GU14615901	Washer 8,4X13X0,8	8	
20	GU98680440	Hex socket screw M8x40	2	
21	GU01576530	Nut with clip M8x1,25	2	

Group	FRAME
Code	33.24
Description	Fuel tank
Service	1



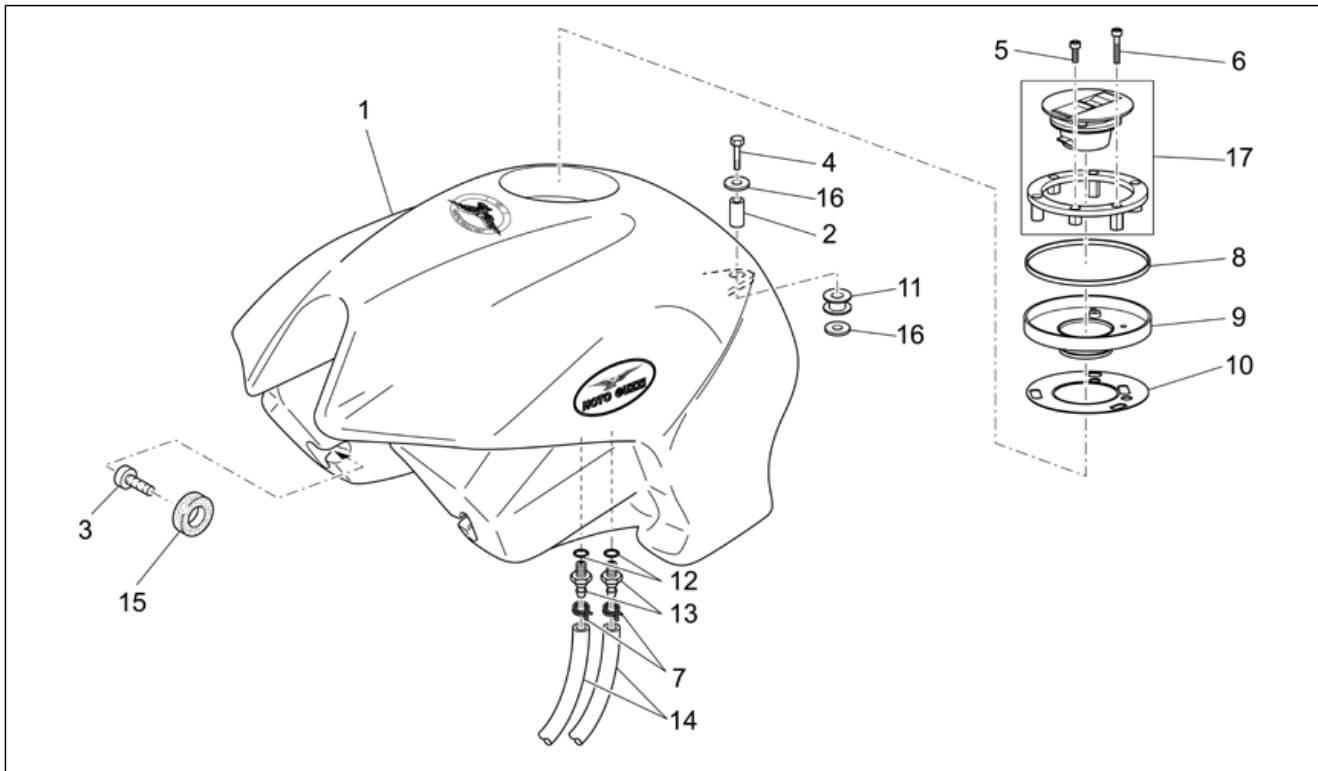
Pos.	Code	Description	Qty	Variants
1	977309	Fuel tank red	1	Year:2006[6], 2007[7] Vehicle colour:Race Red 2006[r/red] Country:Australia[AUS], Spain[E], Other country Europe[EU], Japan[J], Great Britain[UK]
1	977310	Fuel tank, black	1	Year:2006[6] Vehicle colour:Guzzi Black 2006[g/bl] Country:Australia[AUS], Spain[E], Other country Europe[EU], Japan[J], Great Britain[UK]
1	977445	Fuel tank red	1	Year:2006[6], 2007[7] Vehicle colour:Race Red 2006[r/red] Country:United States of America[USA]
1	977446	Fuel tank, black	1	Year:2006[6] Vehicle colour:Guzzi Black 2006[g/bl] Country:United States of America[USA]
1	977461	Fuel tank, cyan	1	Year:2006[6] Vehicle colour:Cyan 2006[s/bl] Country:Australia[AUS], Spain[E], Other country Europe[EU], Japan[J], Great Britain[UK]
1	977462	Fuel tank, cyan	1	Year:2006[6] Vehicle colour:Cyan 2006[s/bl] Country:United States of America[USA]
1	977541	Fuel tank white	1	Year:2006[6] Vehicle colour:Mica White 2006 ica White 2006[m/wh] Country:Australia[AUS], Spain[E], Other country Europe[EU], Japan[J], Great Britain[UK]
1	977542	Fuel tank white	1	Year:2006[6] Vehicle colour:Mica White 2006 ica White 2006[m/wh] Country:United States of America[USA]
1	GU32100210	Fuel tank blank	1	Year:2003[3], 2004[4] Vehicle colour:Blank[gr] Country:Australia[AUS], Spain[E], Other country Europe[EU], Japan[J], Great Britain[UK]
1	GU32100211	Fuel tank red	1	Year:2003[3], 2004[4], 2005[5] Vehicle colour:Brevia Red 2003[b/re]

Group	FRAME
Code	33.24
Description	Fuel tank
Service	1



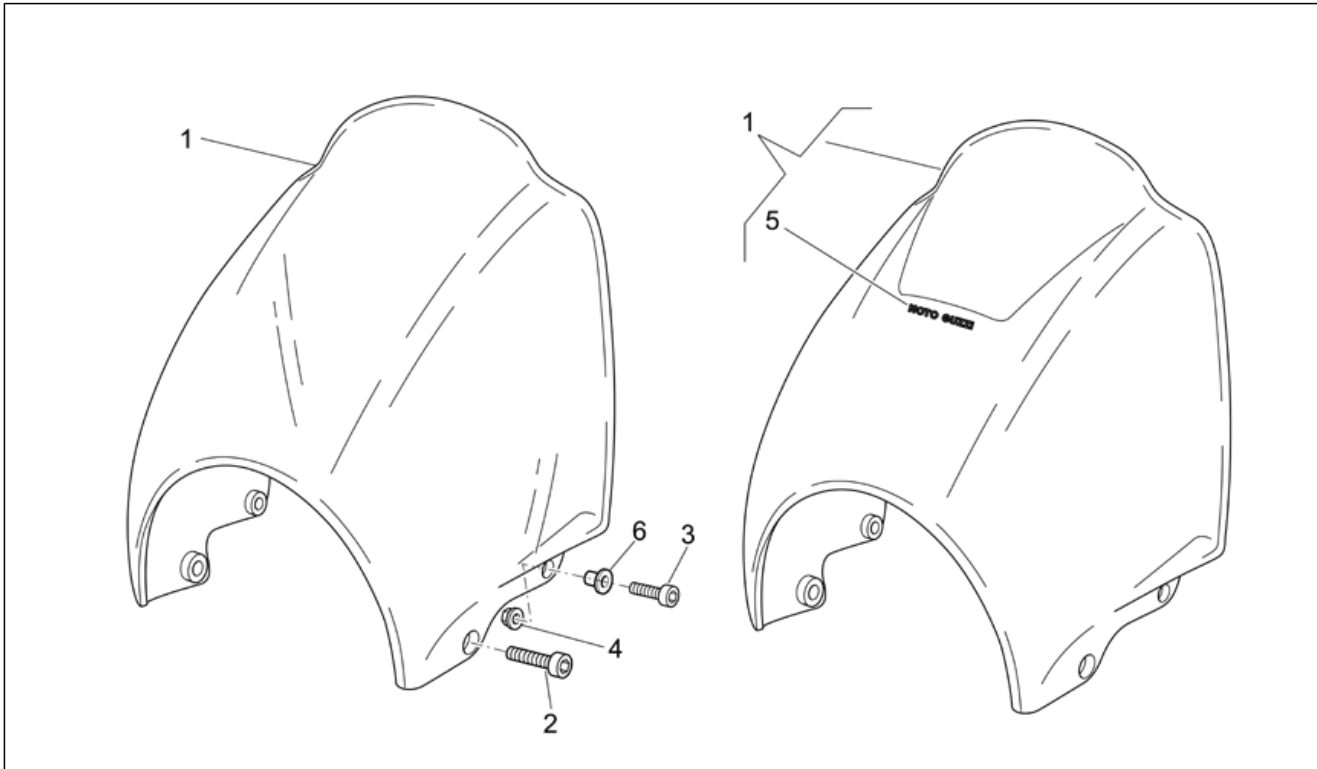
Pos.	Code	Description	Qty	Variants
				Country: Australia[AUS], Spain[E], Other country Europe[EU], Japan[J], Great Britain[UK]
1	GU32100212	Fuel tank, black	1	Year: 2003[3], 2004[4], 2005[5] Vehicle colour: Ollare Black 2003[o/bl] Country: Australia[AUS], Spain[E], Other country Europe[EU], Japan[J], Great Britain[UK]
1	GU32100213	Fuel tank porphyry grey	1	Year: 2003[3], 2004[4], 2005[5] Vehicle colour: Grigna Grey 2003[g/gr] Country: Australia[AUS], Spain[E], Other country Europe[EU], Japan[J], Great Britain[UK]
1	GU32100214	Fuel tank blank	1	Year: 2003[3], 2004[4] Vehicle colour: Blank[gr] Country: United States of America[USA]
1	GU32100214Y05	Fuel tank, black /grigio	1	Year: 2007[7] Vehicle colour: Guzzi Black/Light Grey 2007[blg/lg] Country: United States of America[USA]
1	GU32100215	Fuel tank red	1	Year: 2003[3], 2004[4], 2005[5] Vehicle colour: Brevia Red 2003[b/re] Country: United States of America[USA]
1	GU32100216	Fuel tank, black	1	Year: 2003[3], 2004[4], 2005[5] Vehicle colour: Ollare Black 2003[o/bl] Country: United States of America[USA]
1	GU32100217	Fuel tank, grey	1	Year: 2003[3], 2004[4], 2005[5] Vehicle colour: Grigna Grey 2003[g/gr] Country: United States of America[USA]
1	GU32100218	Fuel tank red	1	Year: 2005[5] Vehicle colour: Race Red 2005[r/re] Country: Australia[AUS], Spain[E], Other country Europe[EU], Japan[J], Great Britain[UK]
1	GU32100219	Fuel tank red	1	Year: 2005[5] Vehicle colour: Race Red 2005[r/re] Country: United States of America[USA]
1	GU32100281	Fuel tank white	1	Vehicle colour: Municipal Police[pa], Pubblica Amministrazione Mauritius[pa.m]

Group	FRAME
Code	33.24
Description	Fuel tank
Service	1



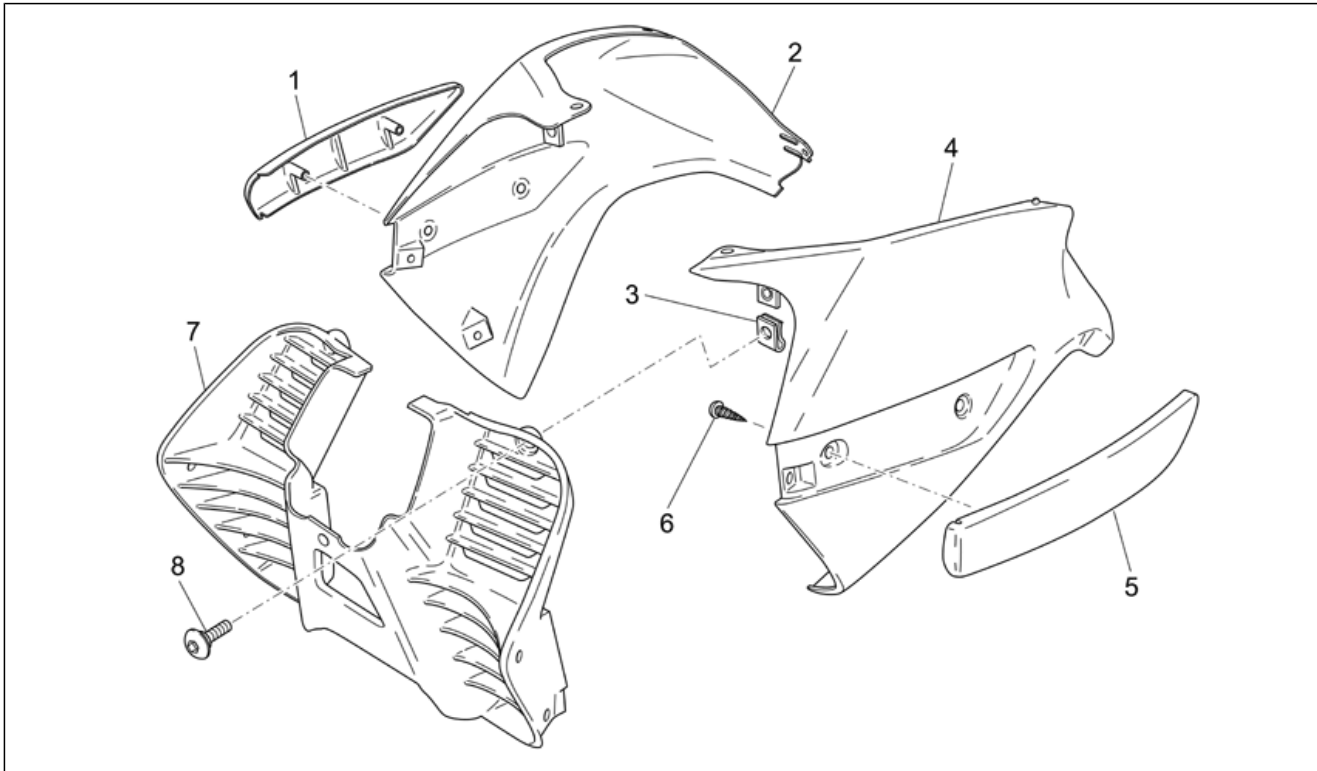
Pos.	Code	Description	Qty	Variants
1	GU89000573	Fuel tank blank	1	Year: 2005[5], 2006[6], 2007[7] Vehicle colour: Blank[gr], Municipal Police[pa], Pubblica Amministrazione Mauritius[pa.m]
1	GU89000573Y05	Fuel tank, black /grigio	1	Year: 2007[7] Vehicle colour: Guzzi Black/Light Grey 2007[blg/lg] Country: Australia[AUS], Spain[E], Other country Europe[EU], Japan[J], Great Britain[UK]
2	AP8121773	Spacer *	1	
3	GU98682414	Hex socket screw	2	
4	AP8152290	Screw w/ flange M8x40	1	
5	GU98692216	Hex socket screw	4	
6	GU98690230	Hex socket screw	3	
7	GU61108500	Hose clamp D9	2	
8	AP8120893	Cap seal	1	
9	AP8102535	Float chamber	1	
10	AP8120894	Fuel tank gasket	1	Vehicle colour: Municipal Police[pa], Pubblica Amministrazione Mauritius[pa.m] Country: Australia[AUS], Spain[E], Other country Europe[EU], Japan[J], Great Britain[UK]
10	AP8144351	Fuel tank gasket	1	Country: United States of America[USA]
11	GU02107100	Rubber spacer	1	
12	AP8120965	O-ring 2018	2	
13	GU30103730	Joint	2	
14	GU00823944050	pipe 5X9	2	
15	GU66103415	Rubber spacer	2	
16	GU95005312	Washer 8,5x24x2	2	
17	GU32103910	Tank cap	1	Vehicle colour: Municipal Police[pa], Pubblica Amministrazione Mauritius[pa.m] Country: Australia[AUS], Spain[E], Other country Europe[EU], Japan[J], Great Britain[UK]
17	GU32103911	Tank cap	1	Country: United States of America[USA]

Group	FRAME
Code	33.25
Description	Front body - Front fairing
Service	1



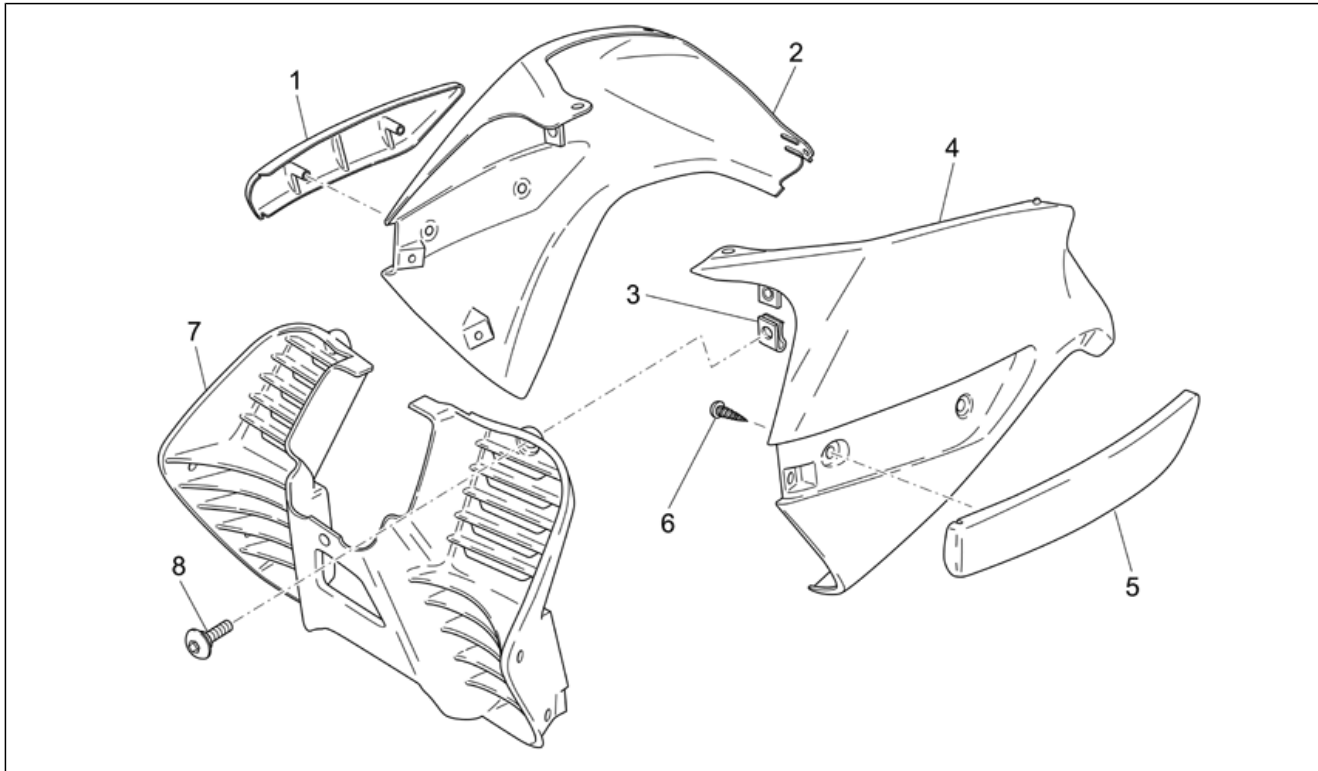
Pos.	Code	Description	Qty	Variants
1	GU32575210	Front fairing windshield, brown	1	Year:2003[3], 2004[4], 2005[5] Country:Spain[E], Other country Europe[EU], Japan[J], Great Britain[UK]
1	GU32575211	Windshield	1	Year:2003[3], 2004[4], 2005[5] Country:Australia[AUS], United States of America[USA]
2	GU98370831	Hex socket screw M8x30	2	Year:2003[3], 2004[4], 2005[5] Technical Specifications:First series[1A]
2	GU98692430	Hex socket screw M8x30	2	Year:2003[3], 2004[4], 2005[5] Technical Specifications:Second series[2A]
3	GU98692225	Hex socket screw	2	Year:2003[3], 2004[4], 2005[5] Technical Specifications:Second series[2A]
3	GU98692325	Hex socket screw M6x25	2	Year:2003[3], 2004[4], 2005[5] Technical Specifications:First series[1A]
4	AP8152299	Self-locking nut M6	2	Year:2003[3], 2004[4], 2005[5] Technical Specifications:First series[1A]
4	AP8152306	Self-locking nut m5	2	Year:2003[3], 2004[4], 2005[5] Technical Specifications:Second series[2A]
5	GU32926110	"MotoGuzzi" dec.	1	Year:2003[3], 2004[4], 2005[5] Country:Australia[AUS], United States of America[USA]
6	GU91120512	Bush 5,2x7,2x15,2	2	Year:2003[3], 2004[4], 2005[5]

Group	FRAME
Code	33.26
Description	Front body - Duct
Service	1



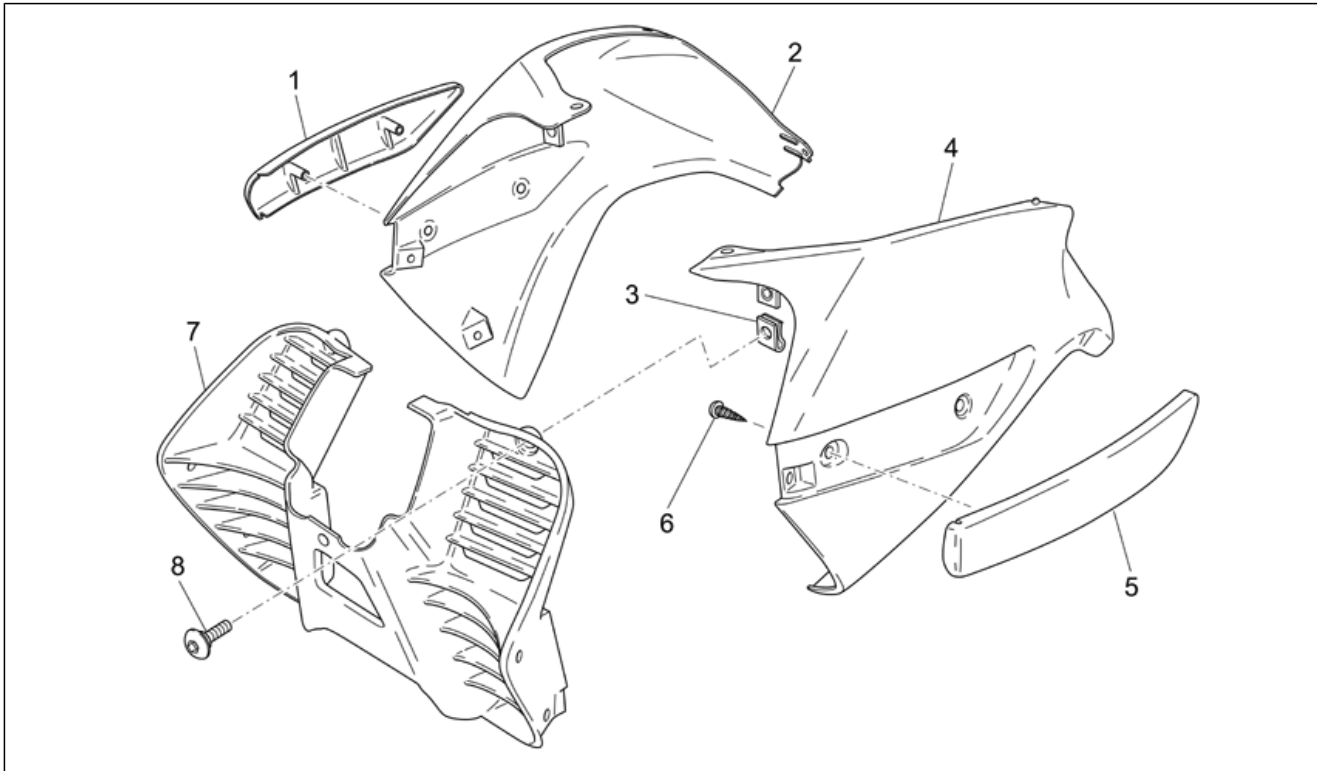
Pos.	Code	Description	Qty	Variants
1	977325	RH protection grey	1	Year:2006[6] Vehicle colour:Guzzi Black 2006[g/bl], Mica White 2006 ica White 2006[m/wh], Race Red 2006[r/red], Cyan 2006[s/bl]
1	977325	RH protection grey	1	Year:2006[6], 2007[7] Vehicle colour:Race Red 2006[r/red]
1	GU32576610	RH protection	1	Year:2007[7] Vehicle colour:Guzzi Black/Light Grey 2007[b/g/lg], Municipal Police[pa], Pubblica Amministrazione Mauritius[pa.m]
1	GU32576610	RH protection	1	Year:2003[3], 2004[4], 2005[5] Vehicle colour:Brevia Red 2003[b/re], Grigna Grey 2003[g/gr], Ollare Black 2003[o/bl], Municipal Police[pa], Pubblica Amministrazione Mauritius[pa.m], Race Red 2005[r/re]
2	977313	RH fairing red	1	Year:2006[6], 2007[7] Vehicle colour:Race Red 2006[r/red]
2	977315	RH fairing black	1	Year:2006[6] Vehicle colour:Guzzi Black 2006[g/bl]
2	977459	RH lateral fairing, sky blue	1	Year:2006[6] Vehicle colour:Cyan 2006[s/bl]
2	977539	RH lateral fairing, white	1	Year:2006[6] Vehicle colour:Mica White 2006 ica White 2006[m/wh]
2	GU32573210Y05	RH lat.fairing grigio lu.	1	Year:2007[7] Vehicle colour:Guzzi Black/Light Grey 2007[b/g/lg]
2	GU32576210	RH lateral fairing, blank	1	Vehicle colour:Blank[gr]
2	GU32576211	RH lat.fairing, grey cr.	1	Year:2003[3], 2004[4], 2005[5] Vehicle colour:Brevia Red 2003[b/re], Ollare Black 2003[o/bl] Country:Australia[AUS], Other country Europe[EU], Japan[J], Great Britain[UK], United States of America[USA]
2	GU32576212	RH lat.fairing, grey cr.	1	Year:2003[3], 2004[4], 2005[5] Vehicle colour:Brevia Red 2003[b/re], Ollare Black 2003[o/bl] Country:Spain[E]

Group	FRAME
Code	33.26
Description	Front body - Duct
Service	1



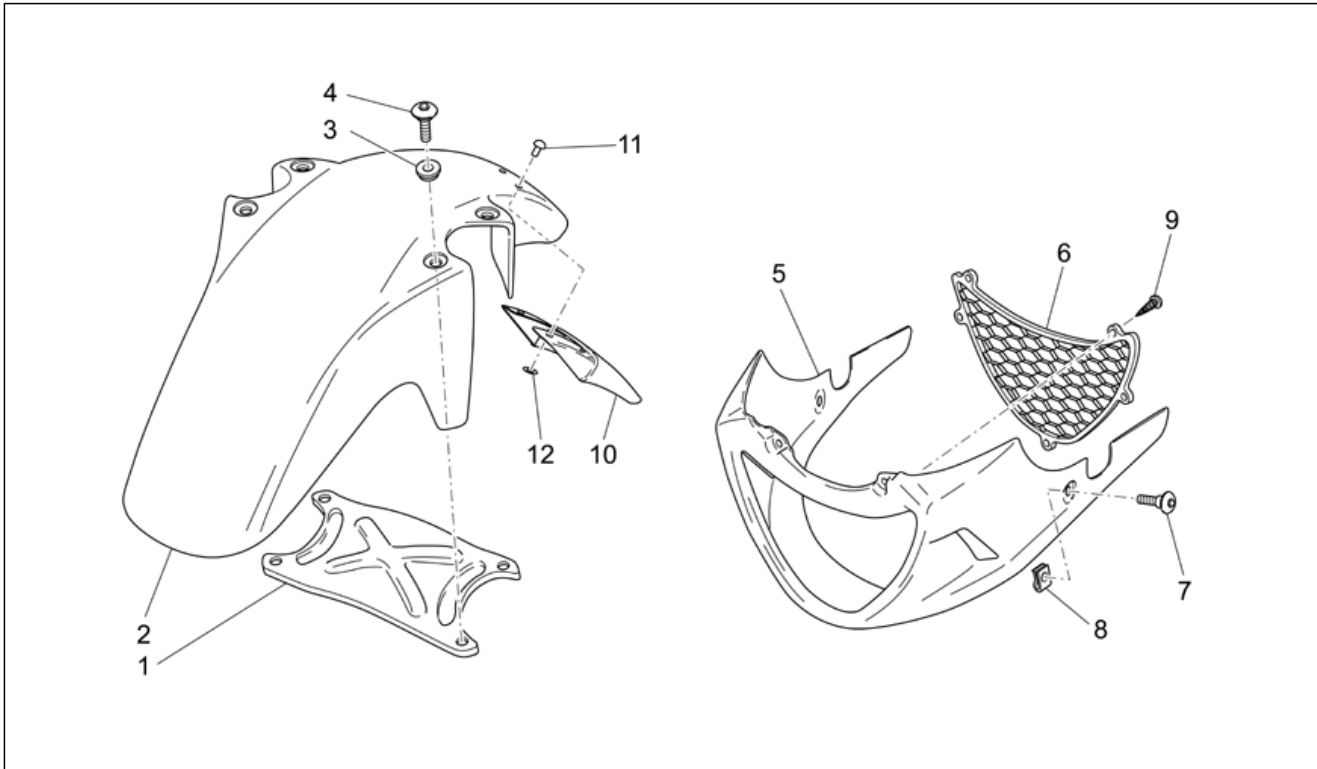
Pos.	Code	Description	Qty	Variants
2	GU32576213	RH lat.fairing, grey pl.	1	Year:2003[3], 2004[4], 2005[5] Vehicle colour:Grigna Grey 2003[g/gr] Country:Australia[AUS], Other country Europe[EU], Japan[J], Great Britain[UK], United States of America[USA]
2	GU32576214	RH lat.fairing, grey pl.	1	Year:2003[3], 2004[4], 2005[5] Vehicle colour:Grigna Grey 2003[g/gr] Country:Spain[E]
2	GU32576215	RH lat.fairing technogrey	1	Year:2005[5] Vehicle colour:Race Red 2005[r/re] Country:Australia[AUS], Other country Europe[EU], Japan[J], Great Britain[UK], United States of America[USA]
2	GU32576281	RH lateral fairing, white	1	Vehicle colour:Municipal Police[pa], Pubblica Amministrazione Mauritius[pa.m]
3	AP8102375	Clip m5	6	
4	977314	LH lat.fairing, red	1	Year:2006[6], 2007[7] Vehicle colour:Race Red 2006[r/red]
4	977316	LH lat.fairing, black	1	Year:2006[6] Vehicle colour:Guzzi Black 2006[g/bl]
4	977460	LH lateral fairing, sky blue	1	Year:2006[6] Vehicle colour:Cyan 2006[s/bl]
4	977540	LH lateral fairing, white	1	Year:2006[6] Vehicle colour:Mica White 2006 ica White 2006[m/wh]
4	GU32573310Y05	LH lat.fairing grigio lu.	1	Year:2007[7] Vehicle colour:Guzzi Black/Light Grey 2007[blg/lg]
4	GU32576310	LH lateral fairing, blank	1	Vehicle colour:Blank[gr]
4	GU32576311	LH lat.fairing, grey cr.	1	Year:2003[3], 2004[4], 2005[5] Vehicle colour:Brevia Red 2003[b/re], Ollare Black 2003[o/bl] Country:Australia[AUS], Other country Europe[EU], Japan[J], Great Britain[UK], United States of America[USA]
4	GU32576312	LH lat.fairing, grey cr.	1	Year:2003[3], 2004[4], 2005[5] Vehicle colour:Brevia Red 2003[b/re], Ollare Black 2003[o/bl]

Group	FRAME
Code	33.26
Description	Front body - Duct
Service	1



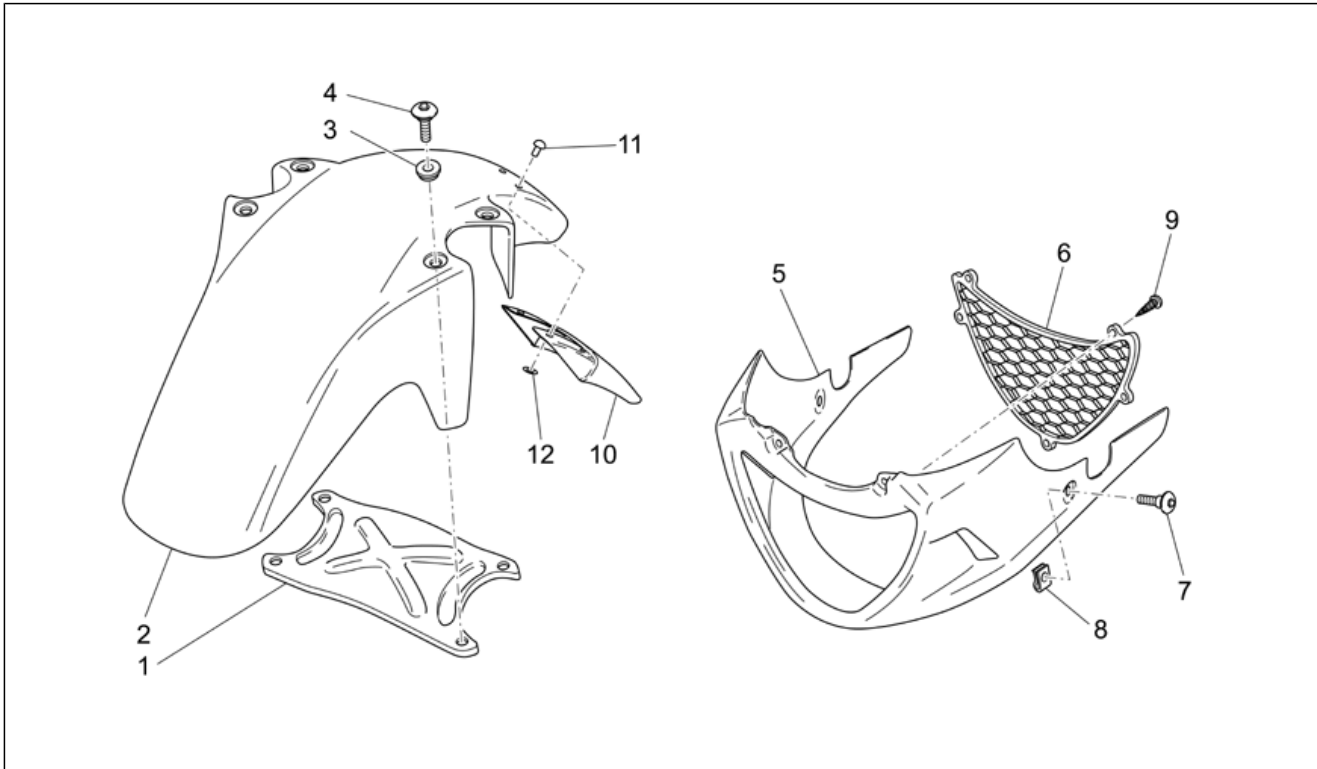
Pos.	Code	Description	Qty	Variants
				Country: Spain[E]
4	GU32576313	LH lat.fairing, grey pl.	1	Year: 2003[3], 2004[4], 2005[5] Vehicle colour: Grigna Grey 2003[g/gr] Country: Australia[AUS], Other country Europe[EU], Japan[J], Great Britain[UK], United States of America[USA]
4	GU32576314	LH lat.fairing, grey pl.	1	Year: 2003[3], 2004[4], 2005[5] Vehicle colour: Grigna Grey 2003[g/gr] Country: Spain[E]
4	GU32576315	LH lat.fairing technogrey	1	Year: 2005[5] Vehicle colour: Race Red 2005[r/re] Country: Australia[AUS], Other country Europe[EU], Japan[J], Great Britain[UK], United States of America[USA]
4	GU32576381	LH lateral fairing, white	1	Vehicle colour: Municipal Police[pa], Pubblica Amministrazione Mauritius[pa.m]
5	977326	LH protection grey	1	Year: 2006[6], 2007[7] Vehicle colour: Race Red 2006[r/red]
5	977326	LH protection grey	1	Year: 2006[6] Vehicle colour: Guzzi Black 2006[g/bl], Mica White 2006 ica White 2006[m/wh], Race Red 2006[r/red], Cyan 2006[s/bl]
5	GU32576710	LH protection	1	Year: 2003[3], 2004[4], 2005[5] Vehicle colour: Breva Red 2003[b/re], Grigna Grey 2003[g/gr], Ollare Black 2003[o/bl], Race Red 2005[r/re]
5	GU32576710	LH protection	1	Year: 2007[7] Vehicle colour: Guzzi Black/Light Grey 2007[b/g/g], Municipal Police[pa], Pubblica Amministrazione Mauritius[pa.m]
6	AP8150413	Self-tap screw 3,9x14	4	
7	GU32476410	Water cooler grille	1	
8	AP8152302	Screw w/ flange M5x12	3	
8	AP8152339	Screw w/ flange M5x9	6	

Group	FRAME
Code	33.27
Description	Front body - Front mudguard
Service	1



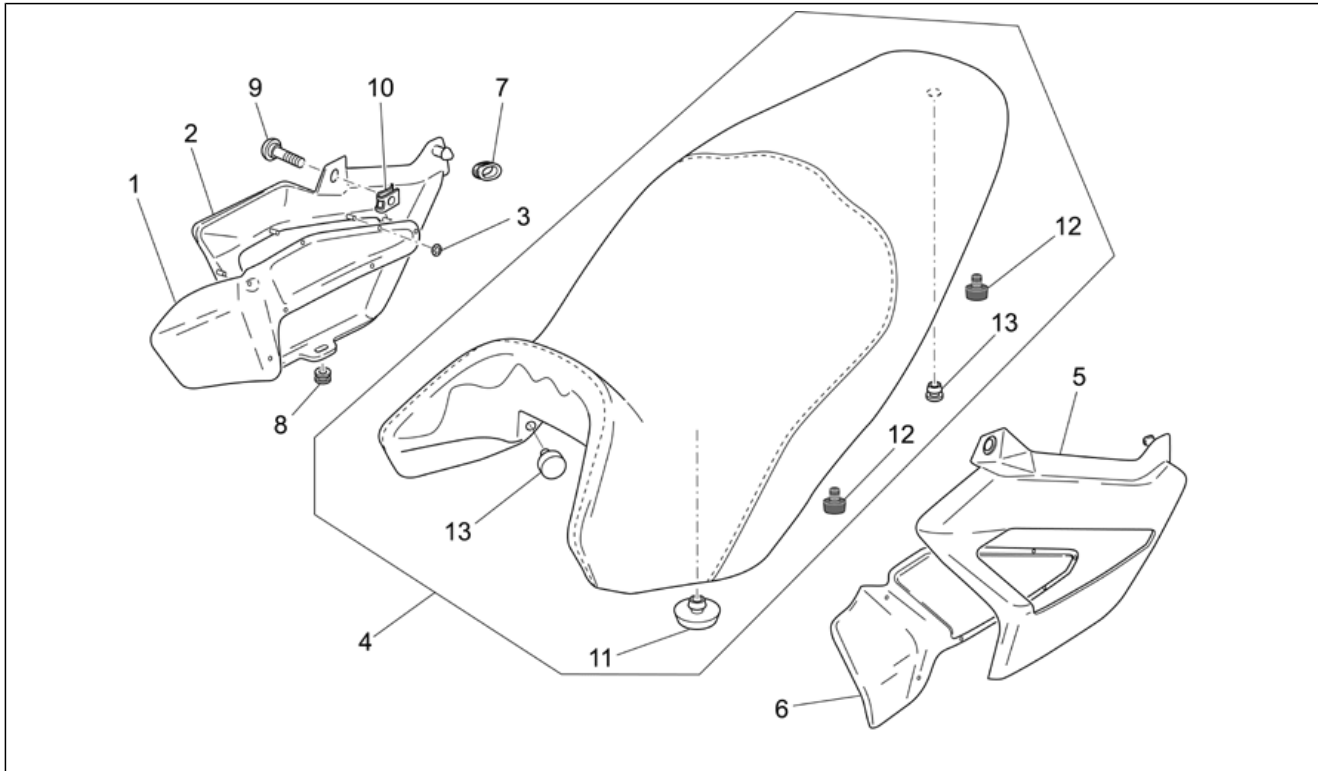
Pos.	Code	Description	Qty	Variants
1	GU32494010	plate	1	
2	977312	Front mudguard, black	1	Year:2007[7] Vehicle colour:Guzzi Black/Light Grey 2007[b]g/[l]g
2	977312	Front mudguard, black	1	Year:2006[6] Vehicle colour:Guzzi Black 2006[g]/[b]l
2	977457	Front mudguard, azure	1	Year:2006[6] Vehicle colour:Cyan 2006[s]/[b]l
2	977538	Front mudguard, white	1	Year:2006[6] Vehicle colour:Mica White 2006 ica White 2006[m]/[w]h
2	GU32434310	Front mudguard blank	1	Vehicle colour:Blank[gr]
2	GU32434311	Front mudguard, red	1	Year:2003[3], 2004[4], 2005[5] Vehicle colour:Brevia Red 2003[b]/[r]e
2	GU32434312	Front mudguard, black	1	Year:2003[3], 2004[4], 2005[5] Vehicle colour:Ollare Black 2003[o]/[b]l
2	GU32434313	Front mudguard grey platinum	1	Year:2003[3], 2004[4], 2005[5] Vehicle colour:Grigna Grey 2003[g]/[g]r
2	GU32434314	Front mudguard, red	1	Year:2005[5] Vehicle colour:Race Red 2005[r]/[r]e
2	GU32434314	Front mudguard, red	1	Year:2006[6], 2007[7] Vehicle colour:Race Red 2006[r]/[r]ed
2	GU32434381	Front mudguard, white	1	Vehicle colour:Municipal Police[pa], Pubblica Amministrazione Mauritius[pa.m]
3	GU91120812	Bush	4	
4	GU98370825	Hex socket screw M8x25	4	
5	GU32570510	Pillar	1	
6	GU32571510	Air intake grid	1	
7	AP8152339	Screw w/ flange M5x9	2	
8	AP8102375	Clip m5	2	Year:2003[3], 2004[4], 2005[5] Technical Specifications:To frame n. LL 116298[T7]
9	AP8150420	Self-tapping screw *	5	
10	884177	Splash guard	1	Vehicle colour:Pubblica Amministrazione Mauritius[pa.m]

Group	FRAME
Code	33.27
Description	Front body - Front mudguard
Service	1



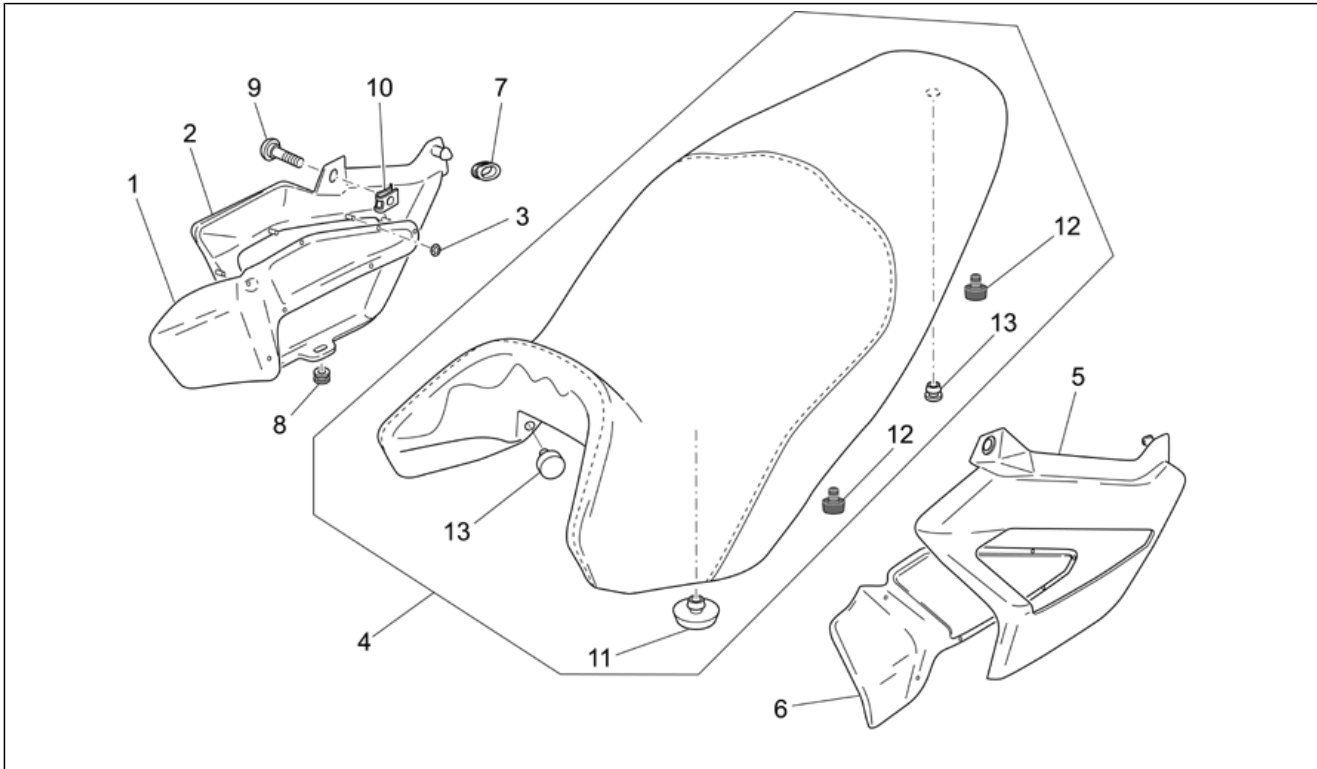
Pos.	Code	Description	Qty	Variants
10	GU32436910	Splash guard	1	Vehicle colour: Brevia Red 2003[b/re], Guzzi Black/Light Grey 2007[blg/lg], Guzzi Black 2006[g/bl], Grigna Grey 2003[g/gr], Mica White 2006 ica White 2006[m/wh], Ollare Black 2003[o/bl], Municipal Police[pa], Race Red 2005[r/re], Race Red 2006[r/red]
11	AP8144109	Fixing pin	1	
12	AP8150450	Washer for shafts D5	1	

Group	FRAME
Code	33.28
Description	Saddle-Central bod
Service	1



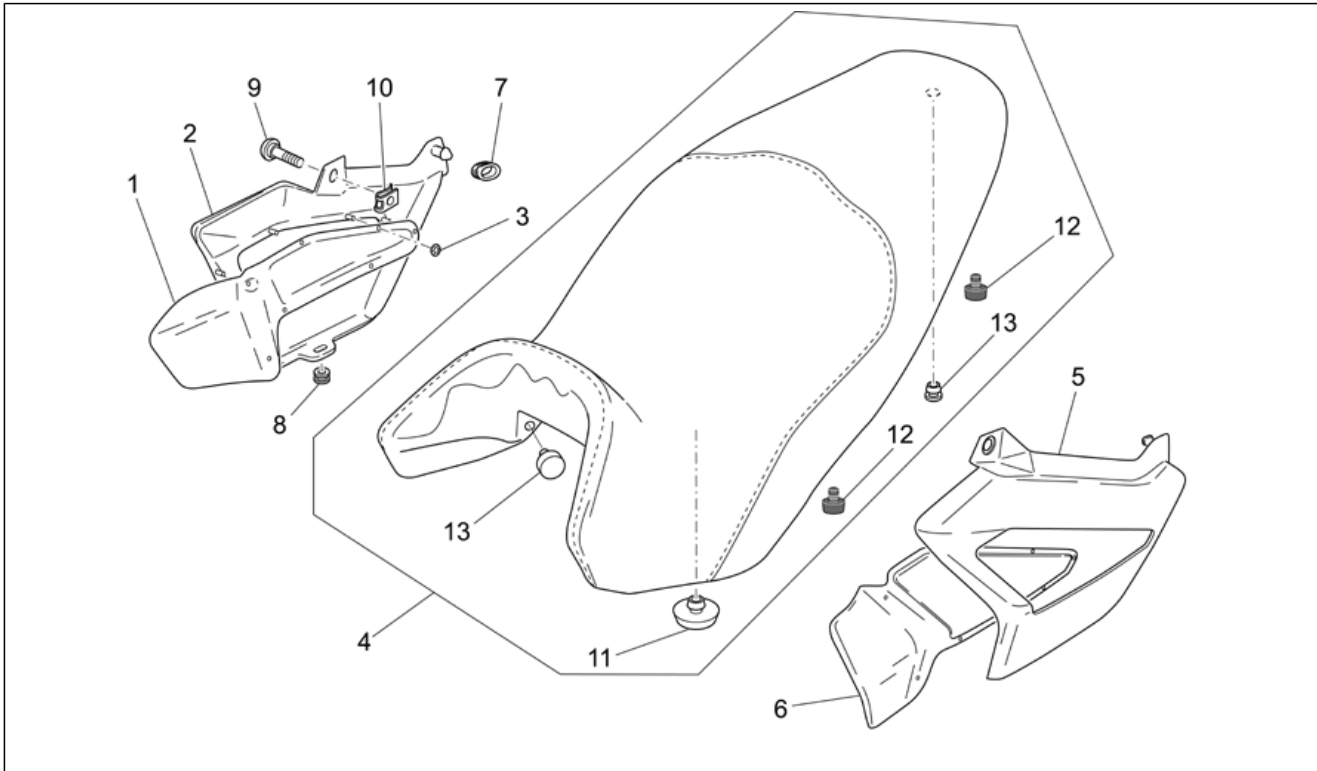
Pos.	Code	Description	Qty	Variants
1	977311	RH protection black	1	Year:2006[6] Vehicle colour:Guzzi Black 2006[g/bl]
1	977323	RH protection red	1	Year:2006[6] Vehicle colour:Race Red 2006[r/red]
1	977465	RH protection cyan	1	Year:2006[6] Vehicle colour:Cyan 2006[s/bl]
1	977545	RH protection white	1	Year:2006[6] Vehicle colour:Mica White 2006 ica White 2006[m/wh]
1	GU32579110	RH protection blank	1	
1	GU325791100C	RH protection black	1	Year:2007[7] Vehicle colour:Guzzi Black/Light Grey 2007[blg/lg], Race Red 2006[r/red]
1	GU32579111	RH protection Golden Sand	1	Year:2003[3], 2004[4], 2005[5] Vehicle colour:Brevia Red 2003[b/re], Grigna Grey 2003[g/gr], Ollare Black 2003[o/bl], Race Red 2005[r/re]
1	GU32579180	RH protection white	1	Vehicle colour:Municipal Police[pa], Pubblica Amministrazione Mauritius[pa.m]
2	977317	RH side panel, red	1	Year:2006[6] Vehicle colour:Race Red 2006[r/red]
2	977319	RH side panel, black	1	Year:2006[6] Vehicle colour:Guzzi Black 2006[g/bl]
2	977463	RH Side panel cyan	1	Year:2006[6] Vehicle colour:Cyan 2006[s/bl]
2	977543	RH side panel, white	1	Year:2006[6] Vehicle colour:Mica White 2006 ica White 2006[m/wh]
2	GU32476210	RH body panel blank	1	Vehicle colour:Blank[gr]
2	GU32476210Y05	RH side panel, grey luce	1	Year:2007[7] Vehicle colour:Guzzi Black/Light Grey 2007[blg/lg]
2	GU32476211	RH side panel, grey cr.	1	Year:2003[3], 2004[4], 2005[5] Vehicle colour:Brevia Red 2003[b/re], Ollare Black 2003[o/bl]
2	GU32476212	RH side panel technogrey	1	Year:2005[5]

Group	FRAME
Code	33.28
Description	Saddle-Central bod
Service	1



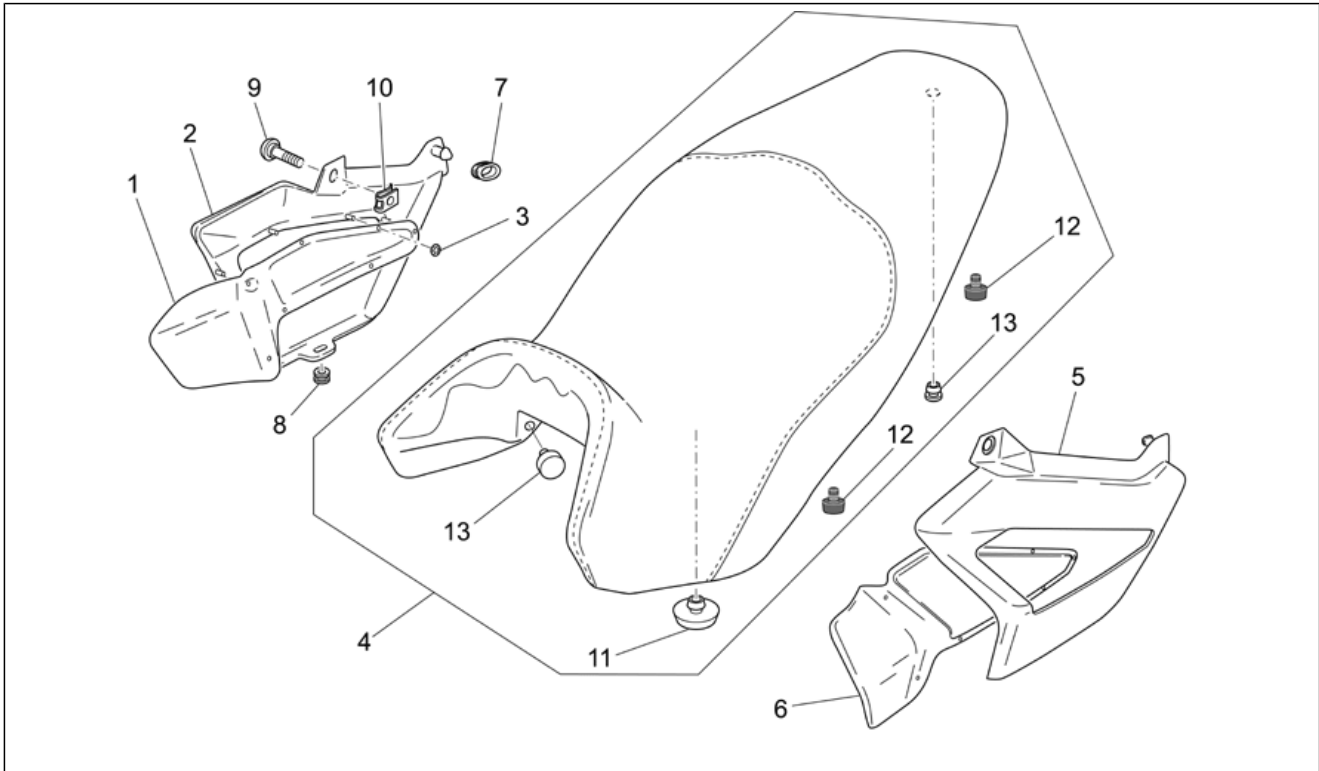
Pos.	Code	Description	Qty	Variants
				Vehicle colour:Race Red 2005[r/re]
2	GU32476213	RH side panel, grey pl.	1	Year:2003[3], 2004[4], 2005[5] Vehicle colour:Grigna Grey 2003[g/gr]
2	GU32476281	RH side panel, white	1	Vehicle colour:Municipal Police[pa], Pubblica Amministrazione Mauritius[pa.m]
3	AP8150450	Washer for shafts D5	14	
4	GU32460510	Saddle, black/grey	1	Year:2006[6] Vehicle colour:Guzzi Black 2006[g/bl], Mica White 2006 ica White 2006[m/wh], Race Red 2006[r/red], Cyan 2006[s/bl]
4	GU32460510	Saddle, black/grey	1	Year:2003[3], 2004[4], 2005[5] Vehicle colour:Brevia Red 2003[b/re], Ollare Black 2003[o/bl]
4	GU32460510	Saddle, black/grey	1	Year:2007[7] Vehicle colour:Guzzi Black/Light Grey 2007[blg/lg], Race Red 2006[r/red]
4	GU32460510	Saddle, black/grey	1	Year:2005[5] Vehicle colour:Race Red 2005[r/re]
4	GU32460511	Saddle, red	1	Year:2003[3], 2004[4], 2005[5] Vehicle colour:Grigna Grey 2003[g/gr]
4	GU32460580	Saddle complete, black	1	Vehicle colour:Municipal Police[pa], Pubblica Amministrazione Mauritius[pa.m]
5	977318	LH side panel, red	1	Year:2006[6], 2007[7] Vehicle colour:Race Red 2006[r/red]
5	977320	LH side panel, black	1	Year:2006[6] Vehicle colour:Guzzi Black 2006[g/bl]
5	977464	LH Side panel cyan	1	Year:2006[6] Vehicle colour:Cyan 2006[s/bl]
5	977544	LH side panel, white	1	Year:2006[6] Vehicle colour:Mica White 2006 ica White 2006[m/wh]
5	GU32476310	LH body panel blank	1	Vehicle colour:Blank[gr]
5	GU32476310Y05	LH side panel, grey luce	1	Year:2007[7] Vehicle colour:Guzzi Black/Light Grey 2007[blg/lg]

Group	FRAME
Code	33.28
Description	Saddle-Central bod
Service	1



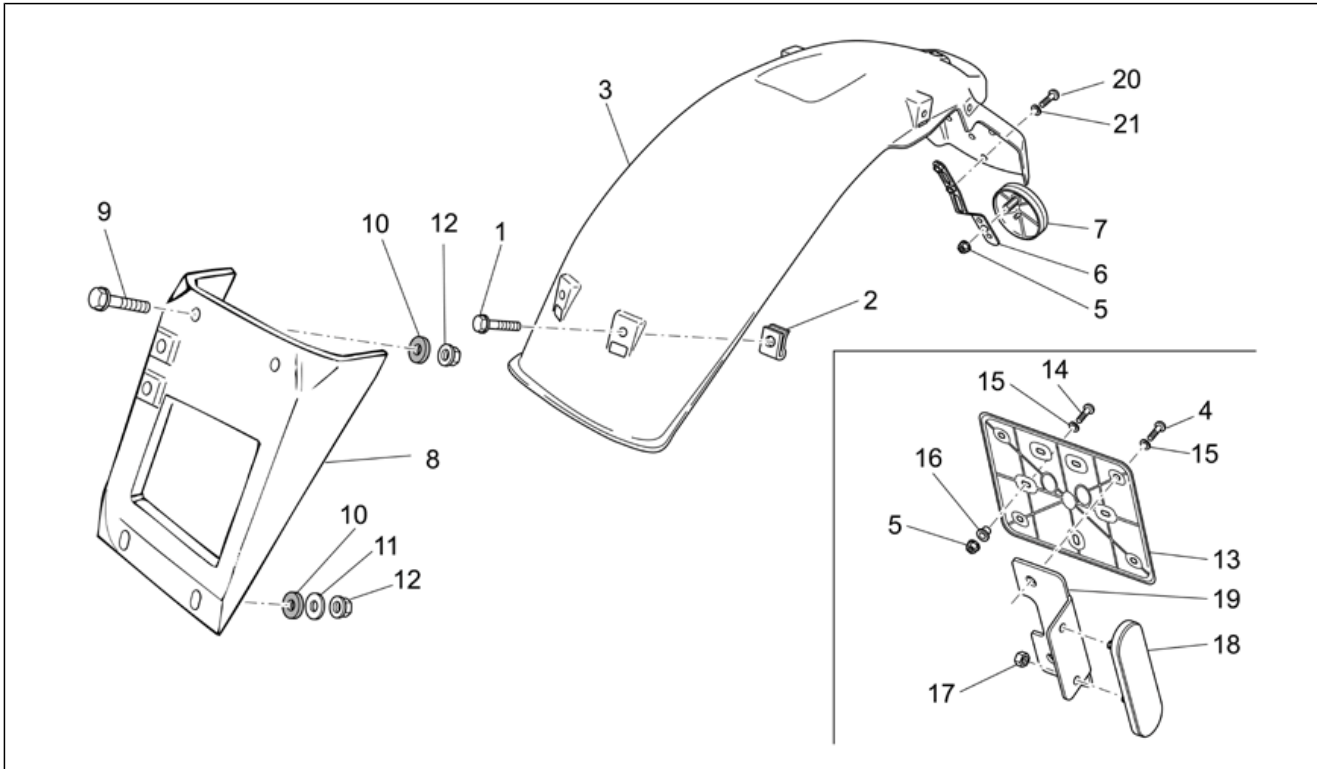
Pos.	Code	Description	Qty	Variants
5	GU32476311	LH side panel, chr.grey	1	Year:2003[3], 2004[4], 2005[5] Vehicle colour:Brevia Red 2003[b/re], Ollare Black 2003[o/bl]
5	GU32476312	LH side panel technogrey	1	Year:2005[5] Vehicle colour:Race Red 2005[r/re]
5	GU32476313	LH side panel, plat.grey	1	Year:2003[3], 2004[4], 2005[5] Vehicle colour:Grigna Grey 2003[g/gr]
5	GU32476381	LH side panel, white	1	Vehicle colour:Municipal Police[pa], Pubblica Amministrazione Mauritius[pa.m]
6	977321	LH protection black	1	Year:2006[6] Vehicle colour:Guzzi Black 2006[g/bl]
6	977324	LH protection red	1	Year:2006[6], 2007[7] Vehicle colour:Race Red 2006[r/red]
6	977466	LH protection cyan	1	Year:2006[6] Vehicle colour:Cyan 2006[s/bl]
6	977546	LH protection white	1	Year:2006[6] Vehicle colour:Mica White 2006 ica White 2006[m/wh]
6	GU32579210	LH protection blank	1	Vehicle colour:Blank[gr]
6	GU325792100C	LH protection black	1	Year:2007[7] Vehicle colour:Guzzi Black/Light Grey 2007[blg/lg]
6	GU32579211	LH protection Golden Sand	1	Year:2003[3], 2004[4], 2005[5] Vehicle colour:Brevia Red 2003[b/re], Grigna Grey 2003[g/gr], Ollare Black 2003[o/bl], Race Red 2005[r/re]
6	GU32579280	LH protection white	1	Vehicle colour:Municipal Police[pa], Pubblica Amministrazione Mauritius[pa.m]
7	GU02573900	Rubber spacer	2	
8	AP8120030	Rubber spacer	2	
9	AP8152339	Screw w/ flange M5x9	2	
10	AP8102375	Clip m5	2	
11	AP8126702	Rubber spacer	4	
12	AP8144087	Rubber spacer	3	

Group	FRAME
Code	33.28
Description	Saddle-Central bod
Service	1



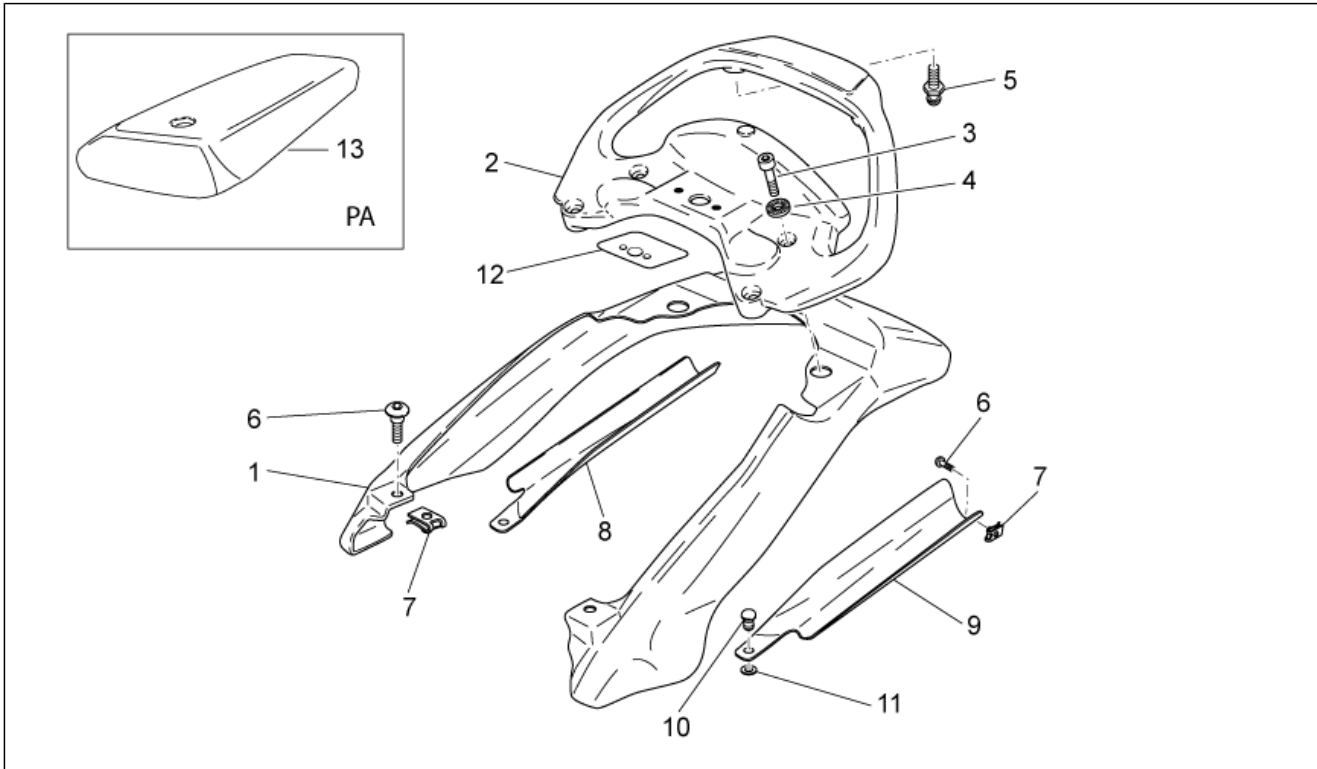
Pos.	Code	Description	Qty	Variants
13	AP8220349	Rubber spacer	2	

Group	FRAME
Code	33.29
Description	Rear body - Mudguard
Service	1



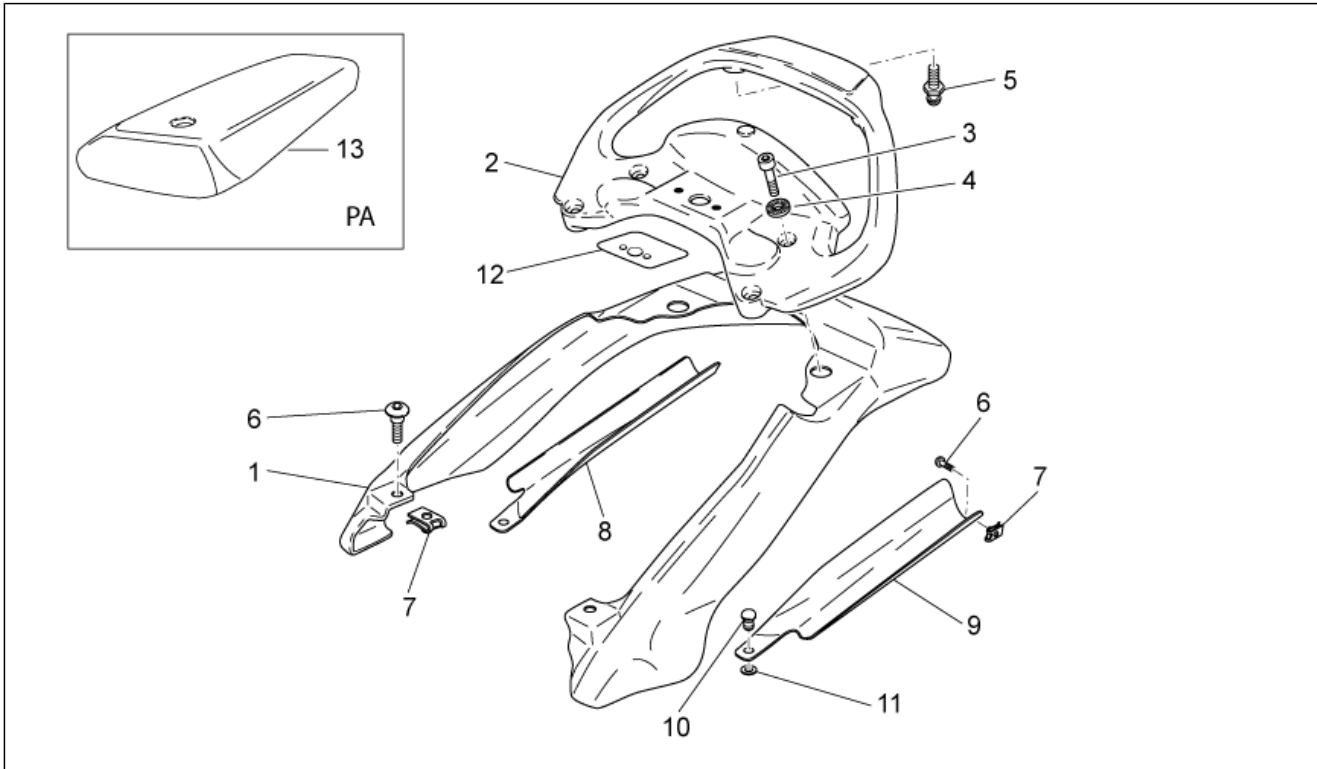
Pos.	Code	Description	Qty	Variants
1	AP8152278	Screw w/ flange M6x16	4	
2	GU28576591	Clip M6	4	
3	GU32474610	Number plate holder	1	
4	AP8152268	Hex socket screw M5x16	8	
5	AP8152306	Self-locking nut m5	6	
6	AP8134448	Reflector support	1	
7	AP8224164	Rear reflector, red	1	
8	GU31438765	Splash guard	1	
9	AP8152278	Screw w/ flange M6x16	2	
10	GU93110060	Rubber spacer	4	
11	GU95100141	Washer 6,4x12x1,2	2	
12	AP8152299	Self-locking nut M6	4	
13	AP8149034	Number plate support	1	Country:United States of America[USA]
14	AP8152270	Hex socket screw M5x25	3	Country:United States of America[USA]
15	AP8150248	Washer 5,5x15x1,6	10	Country:United States of America[USA]
16	AP8121736	T bush	3	Country:United States of America[USA]
17	AP8150204	Nut M4	4	Country:United States of America[USA]
18	AP8124718	Rear reflector, red	2	Country:United States of America[USA]
19	GU32781910	Reflector support	2	Country:United States of America[USA]
20	GU98230510	Hex socket screw	2	
21	GU95007205	Washer	2	

Group	FRAME
Code	33.30
Description	Rear body - Undersaddle
Service	1



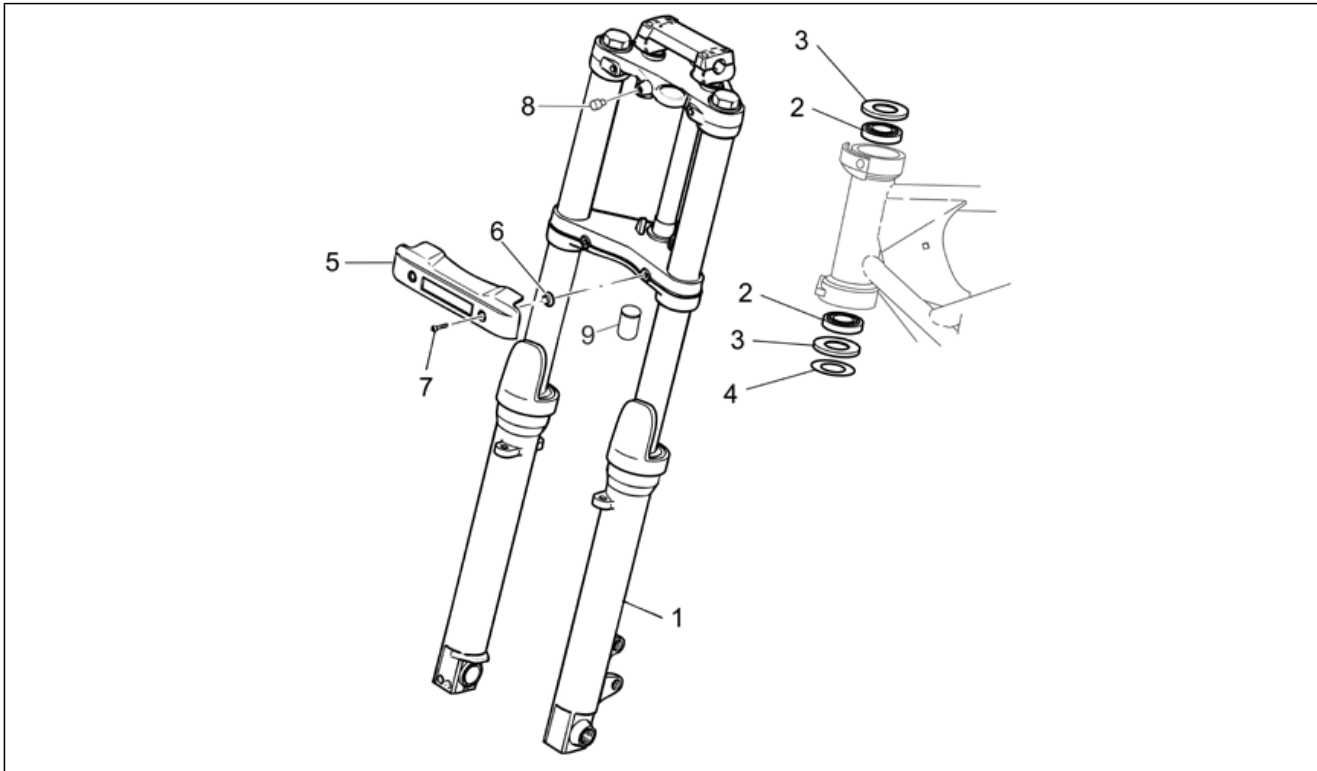
Pos.	Code	Description	Qty	Variants
1	977322	Rear tail black	1	Year:2007[7] Vehicle colour:Guzzi Black/Light Grey 2007[b/g/lg]
1	977322	Rear tail black	1	Year:2006[6] Vehicle colour:Guzzi Black 2006[g/bl]
1	977458	Rear fairing, cyan	1	Year:2006[6] Vehicle colour:Cyan 2006[s/bl]
1	977537	Rear fairing, white	1	Year:2006[6] Vehicle colour:Mica White 2006 ica White 2006[m/wh]
1	GU32472681	Rear fairing, white	1	Vehicle colour:Municipal Police[pa], Pubblica Amministrazione Mauritius[pa.m]
1	GU32573110	Rear tail blank	1	Vehicle colour:Brevia Red 2003[b/re], Guzzi Black/Light Grey 2007[b/g/lg], Guzzi Black 2006[g/bl], Grigna Grey 2003[g/gr], Blank[gr], Mica White 2006 ica White 2006[m/wh], Ollare Black 2003[o/bl], Race Red 2005[r/re], Race Red 2006[r/red], Cyan 2006[s/bl]
1	GU32573111	Rear tail red	1	Year:2003[3], 2004[4], 2005[5] Vehicle colour:Brevia Red 2003[b/re]
1	GU32573112	Rear tail black	1	Year:2003[3], 2004[4], 2005[5] Vehicle colour:Ollare Black 2003[o/bl]
1	GU32573113	Rear fairing, grey	1	Year:2003[3], 2004[4], 2005[5] Vehicle colour:Grigna Grey 2003[g/gr]
1	GU32573114	Rear tail red	1	Year:2006[6], 2007[7] Vehicle colour:Race Red 2006[r/red]
1	GU32573114	Rear tail red	1	Year:2005[5] Vehicle colour:Race Red 2005[r/re]
2	977302	Handle	1	Year:2006[6] Vehicle colour:Guzzi Black 2006[g/bl], Mica White 2006 ica White 2006[m/wh], Race Red 2006[r/red], Cyan 2006[s/bl]
2	977302	Handle	1	Year:2007[7] Vehicle colour:Guzzi Black/Light Grey 2007[b/g/lg], Race Red 2006[r/red]
2	GU32464310	Handle	1	Year:2003[3], 2004[4], 2005[5]

Group	FRAME
Code	33.30
Description	Rear body - Undersaddle
Service	1



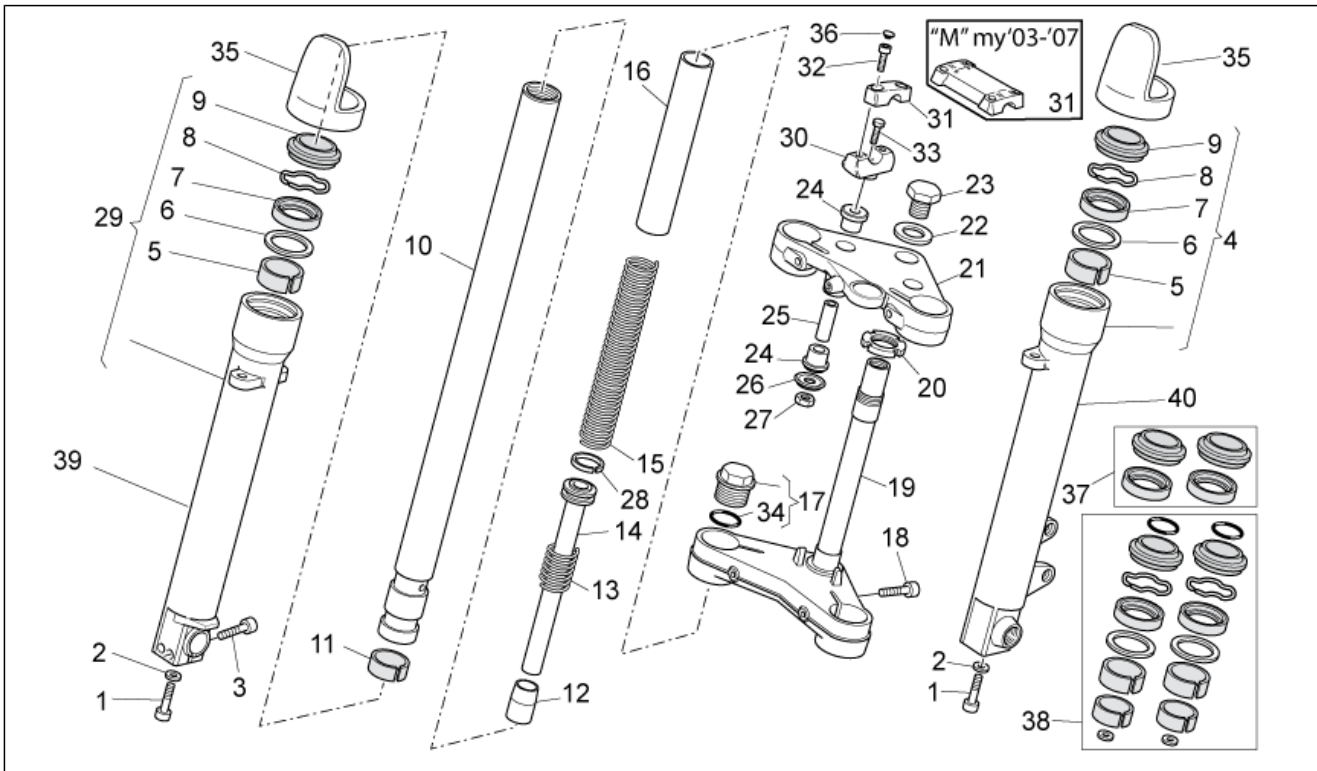
Pos.	Code	Description	Qty	Variants
				Vehicle colour: Brevia Red 2003[b/re], Grigna Grey 2003[g/gr], Ollare Black 2003[o/bl], Race Red 2005[r/re]
3	GU98682430	Hex socket screw M8x30	4	
4	GU03270300	Washer 8,4x15	4	
5	GU03467343	Stud bolt	2	
6	AP8152339	Screw w/ flange M5x9	4	
7	AP8102375	Clip m5	4	
8	GU32479611	Right tool box	1	
9	GU32479610	Left tool box	1	
10	AP8220396	Pin	2	
11	AP8120592	Washer	2	
12	GU32944210	Guard decal	1	
13	GU32472881	Saddle cover	1	Vehicle colour: Municipal Police[pa], Pubblica Amministrazione Mauritius[pa.m]

Group	FRAME
Code	33.31
Description	Front fork I
Service	1



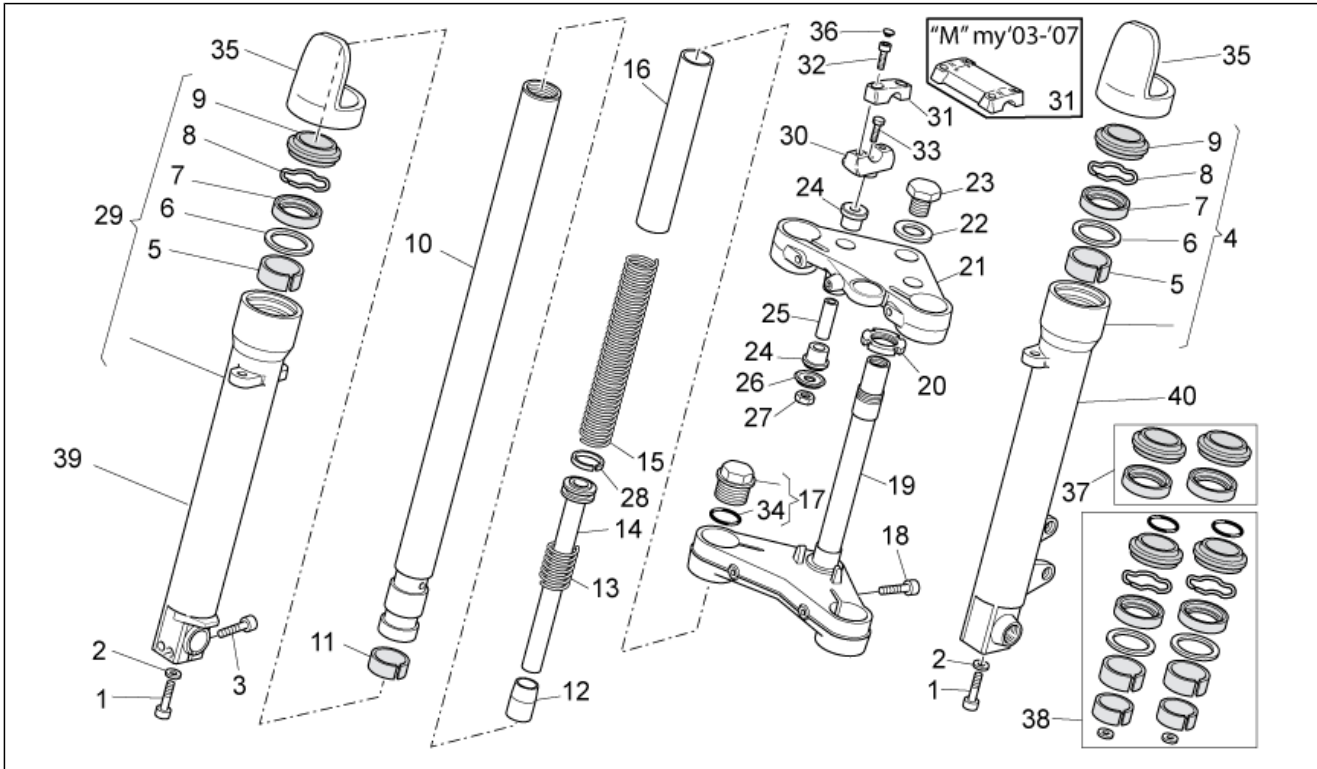
Pos.	Code	Description	Qty	Variants
1	978979	Front fork	1	Year:2009[9] Vehicle colour:Municipal Police[pa], Pubblica Amministrazione Mauritius[pa.m]
1	GU32490210	Front fork	1	Year:2003[3], 2004[4], 2005[5], 2006[6], 2007[7]
2	GU92249225	Tap.roller bearing	2	
3	AP8144146	Gasket ring	1	
4	AP8121307	Washer	1	
5	GU31497883	Guard	1	Year:2003[3], 2004[4], 2005[5], 2006[6], 2007[7]
6	GU31576183	Spacer	2	Year:2003[3], 2004[4], 2005[5], 2006[6], 2007[7]
7	GU98210616	Screw w/ flange M6x16 inox	2	Year:2003[3], 2004[4], 2005[5], 2006[6], 2007[7]
8	AP8144081	Rubber spacer	1	
9	AP8220460	Rubber cup	1	

Group	FRAME
Code	33.32
Description	Fron fork II
Service	1



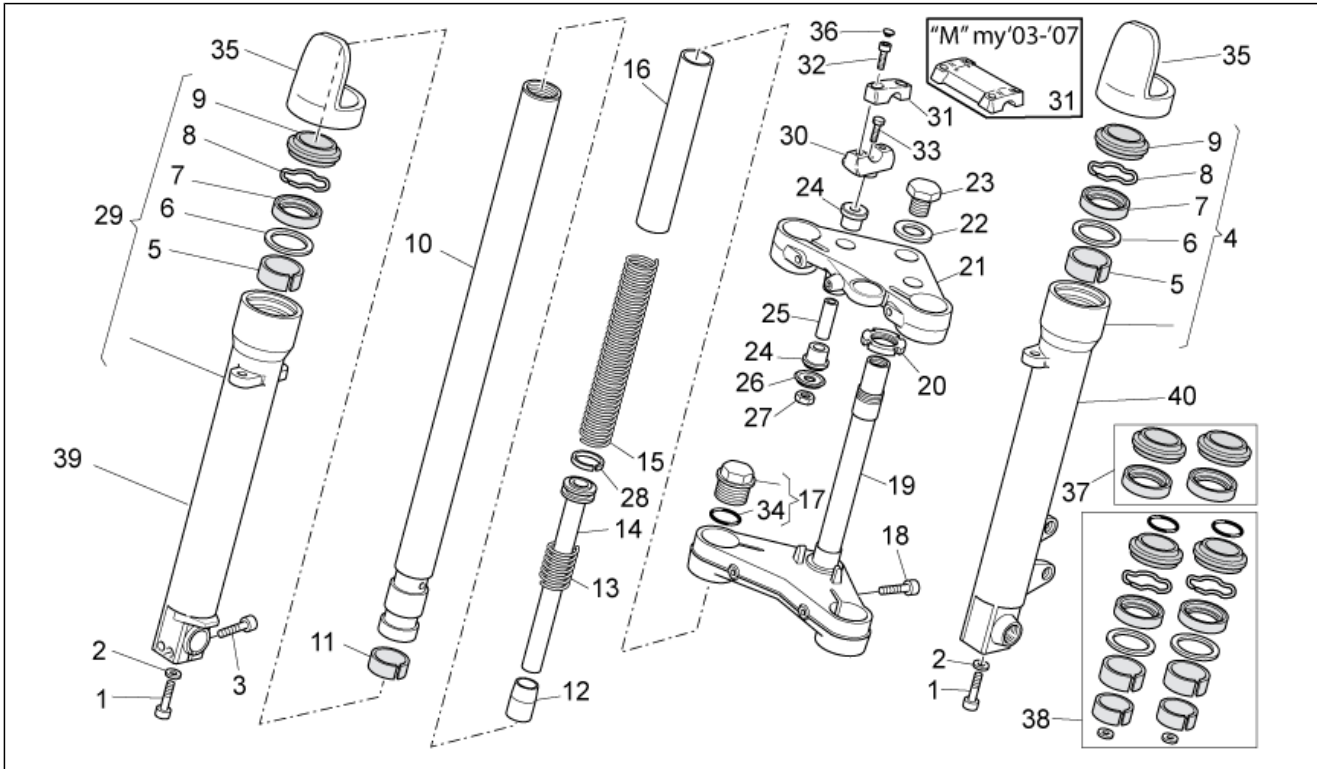
Pos.	Code	Description	Qty	Variants
1	887878	screw M10x30	2	Technical Specifications:Kaifa[K]
1	GU03530530	screw M10x30	2	Technical Specifications:Marzocchi[M]
2	887879	Washer	2	Technical Specifications:Kaifa[K]
2	GU03530529	Washer	2	Technical Specifications:Marzocchi[M]
3	887880	screw	2	Technical Specifications:Kaifa[K]
3	GU98620330	screw	2	Technical Specifications:Marzocchi[M]
4	978978	LH sleeve cpl. Black	1	Year:2009[9] Vehicle colour:Municipal Police[pa], Pubblica Amministrazione Mauritius[pa.m] Technical Specifications:Marzocchi[M]
4	GU32522610	LH sleeve cpl.	1	Year:2003[3], 2004[4], 2005[5], 2006[6], 2007[7] Technical Specifications:Marzocchi[M]
5	887882	Upper bush	2	Technical Specifications:Kaifa[K]
5	GU30526761	Upper bush	2	Technical Specifications:Marzocchi[M]
6	887883	Washer	2	Technical Specifications:Kaifa[K]
6	GU01530568	Washer	2	Technical Specifications:Marzocchi[M]
7	887884	Gasket ring	2	Technical Specifications:Kaifa[K]
7	GU27530584	Gasket ring 40x52x9,5	2	Technical Specifications:Marzocchi[M]
8	887885	Stop ring	2	Technical Specifications:Kaifa[K]
8	GU32530501	Stop ring	2	Technical Specifications:Marzocchi[M]
9	887886	Dust cover	2	Technical Specifications:Kaifa[K]
9	GU01530571	Dust cover	2	Technical Specifications:Marzocchi[M]
10	887887	Sleeve	2	Technical Specifications:Kaifa[K]
10	GU32525410	Sleeve	2	Technical Specifications:Marzocchi[M]
11	887888	Bush	2	Technical Specifications:Kaifa[K]
11	GU30525861	Lower bush	2	Technical Specifications:Marzocchi[M]
12	887889	Pad	2	Technical Specifications:Kaifa[K]
12	GU03530551	Pad	2	Technical Specifications:Marzocchi[M]
13	887890	Return spring	2	Technical Specifications:Kaifa[K]

Group	FRAME
Code	33.32
Description	Fron fork II
Service	1



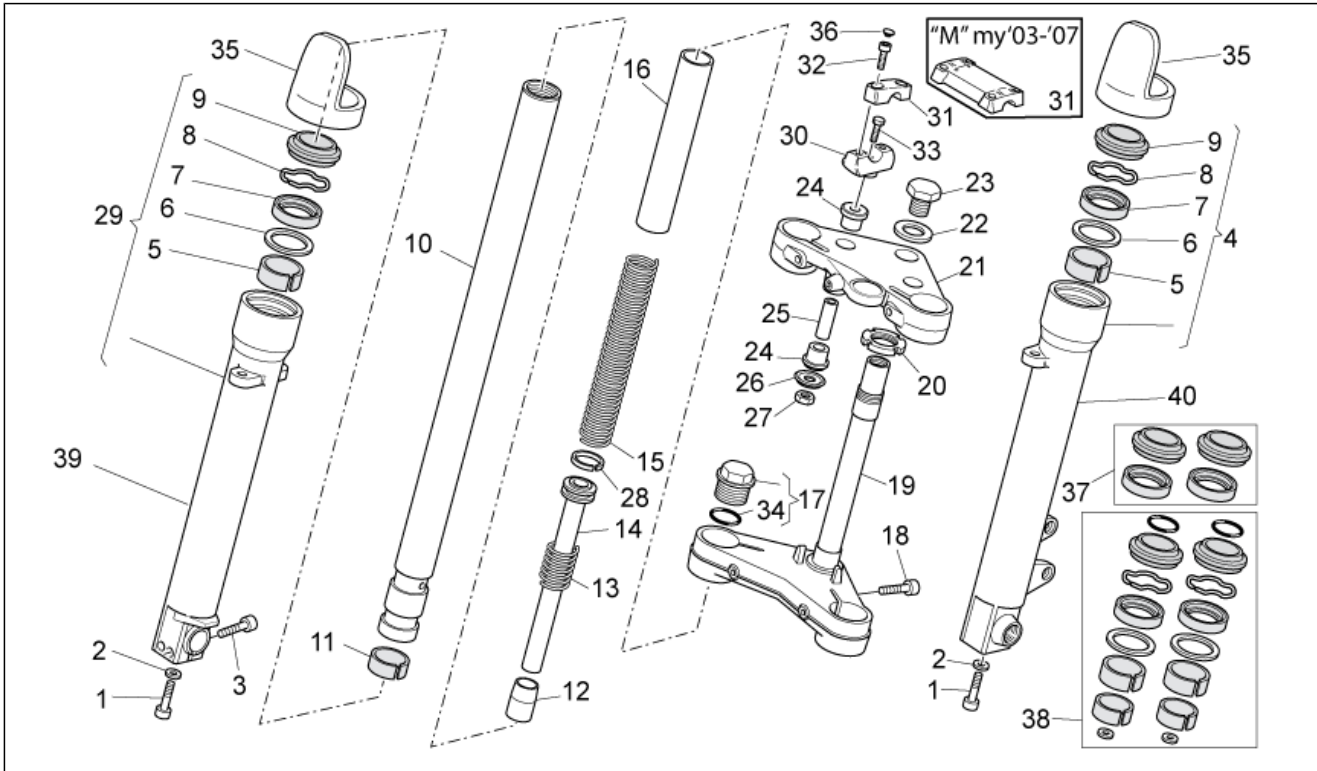
Pos.	Code	Description	Qty	Variants
13	GU32530502	Return spring	2	Technical Specifications:Marzocchi[M]
14	887891	Plunger, complete	2	Technical Specifications:Kaifa[K]
14	GU32530503	Plunger, complete	2	Technical Specifications:Marzocchi[M]
15	887892	Spring	2	Technical Specifications:Kaifa[K]
15	GU32526610	Spring	2	Technical Specifications:Marzocchi[M]
16	887893	pipe	2	Technical Specifications:Kaifa[K]
16	GU32526310	pipe	2	Technical Specifications:Marzocchi[M]
17	887894	Plug cpl.	2	Technical Specifications:Kaifa[K]
17	GU31504583	Plug cpl.	2	Technical Specifications:Marzocchi[M]
18	887895	screw	2	Technical Specifications:Kaifa[K]
18	GU98620540	screw	2	Technical Specifications:Marzocchi[M]
19	887896	Stem base	1	Technical Specifications:Kaifa[K]
19	978974	Stem base Black	1	Year:2009[9] Vehicle colour:Municipal Police[pa], Pubblica Amministrazione Mauritius[pa.m] Technical Specifications:Marzocchi[M]
19	GU32494110	Stem base	1	Year:2003[3], 2004[4], 2005[5], 2006[6], 2007[7] Technical Specifications:Marzocchi[M]
20	GU31513480	Ring nut M25X1	1	Technical Specifications:Marzocchi[M]
21	887898	Upper plate	1	Technical Specifications:Kaifa[K]
21	978976	Fork upper plate	1	Technical Specifications:Marzocchi[M]
22	887899	Washer	1	Technical Specifications:Kaifa[K]
22	GU27530510	Washer	1	Technical Specifications:Marzocchi[M]
23	887900	Nut	1	Technical Specifications:Kaifa[K]
23	GU30512830	Nut M20x1,5	1	Technical Specifications:Marzocchi[M]
24	887901	Rubber spacer	2	Technical Specifications:Kaifa[K]
24	GU32530506	Rubber spacer	4	Technical Specifications:Marzocchi[M]
25	887902	Spacer	2	Technical Specifications:Kaifa[K]
25	GU91181039	Spacer	2	Technical Specifications:Marzocchi[M]

Group	FRAME
Code	33.32
Description	Fron fork II
Service	1



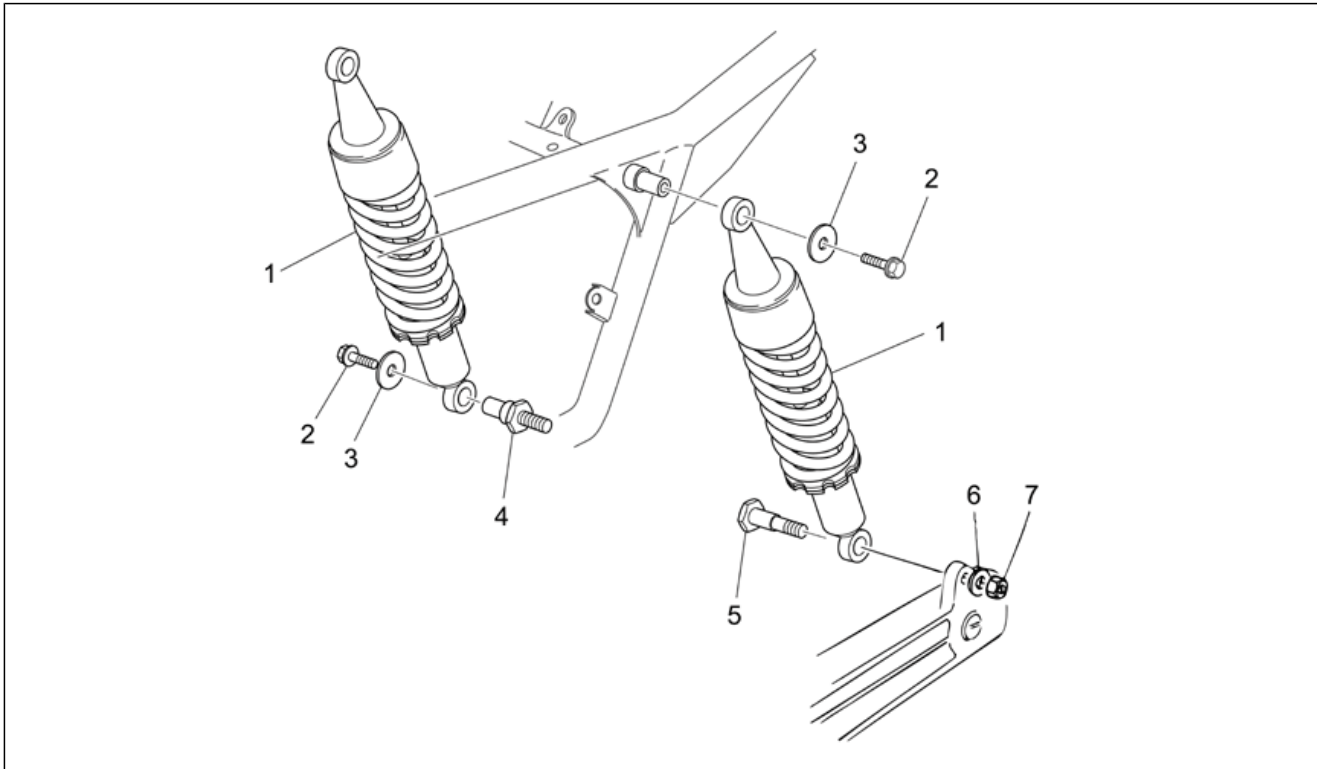
Pos.	Code	Description	Qty	Variants
26	887903	Cup	2	Technical Specifications: Kaifa[K]
26	GU27530505	Cup	2	Technical Specifications: Marzocchi[M]
27	887904	Nut	2	Technical Specifications: Kaifa[K]
27	GU27530506	Nut	2	Technical Specifications: Marzocchi[M]
28	887905	Ring	2	Technical Specifications: Kaifa[K]
28	GU32530504	Ring	2	Technical Specifications: Marzocchi[M]
29	978977	RH sleeve cpl.	1	Year: 2009[9] Vehicle colour: Municipal Police[pa], Pubblica Amministrazione Mauritius[pa.m] Technical Specifications: Marzocchi[M]
29	GU32522510	RH sleeve cpl.	1	Year: 2003[3], 2004[4], 2005[5], 2006[6], 2007[7] Technical Specifications: Marzocchi[M]
30	887912	Lower U-bolt	2	Technical Specifications: Kaifa[K]
30	978972	Lower U-bolt	2	Year: 2009[9] Vehicle colour: Municipal Police[pa], Pubblica Amministrazione Mauritius[pa.m] Technical Specifications: Marzocchi[M]
30	GU03530547	Lower U-bolt	2	Year: 2003[3], 2004[4], 2005[5], 2006[6], 2007[7] Technical Specifications: Marzocchi[M]
31	887913	Upper U-bolt	2	Technical Specifications: Kaifa[K]
31	978973	Upper U-bolt	2	Year: 2009[9] Vehicle colour: Municipal Police[pa], Pubblica Amministrazione Mauritius[pa.m] Technical Specifications: Marzocchi[M]
31	GU32500410	U-bolt	1	Year: 2003[3], 2004[4], 2005[5], 2006[6], 2007[7] Technical Specifications: Marzocchi[M]
32	887914	screw M8x30	4	Technical Specifications: Kaifa[K]
32	GU66530505	screw M8x30	4	Technical Specifications: Marzocchi[M]
33	887915	screw M10x60	2	Technical Specifications: Kaifa[K]
33	GU98052560	screw M10x60	2	Technical Specifications: Marzocchi[M]
34	887916	O-ring 4118	2	Technical Specifications: Kaifa[K]

Group	FRAME
Code	33.32
Description	Fron fork II
Service	1



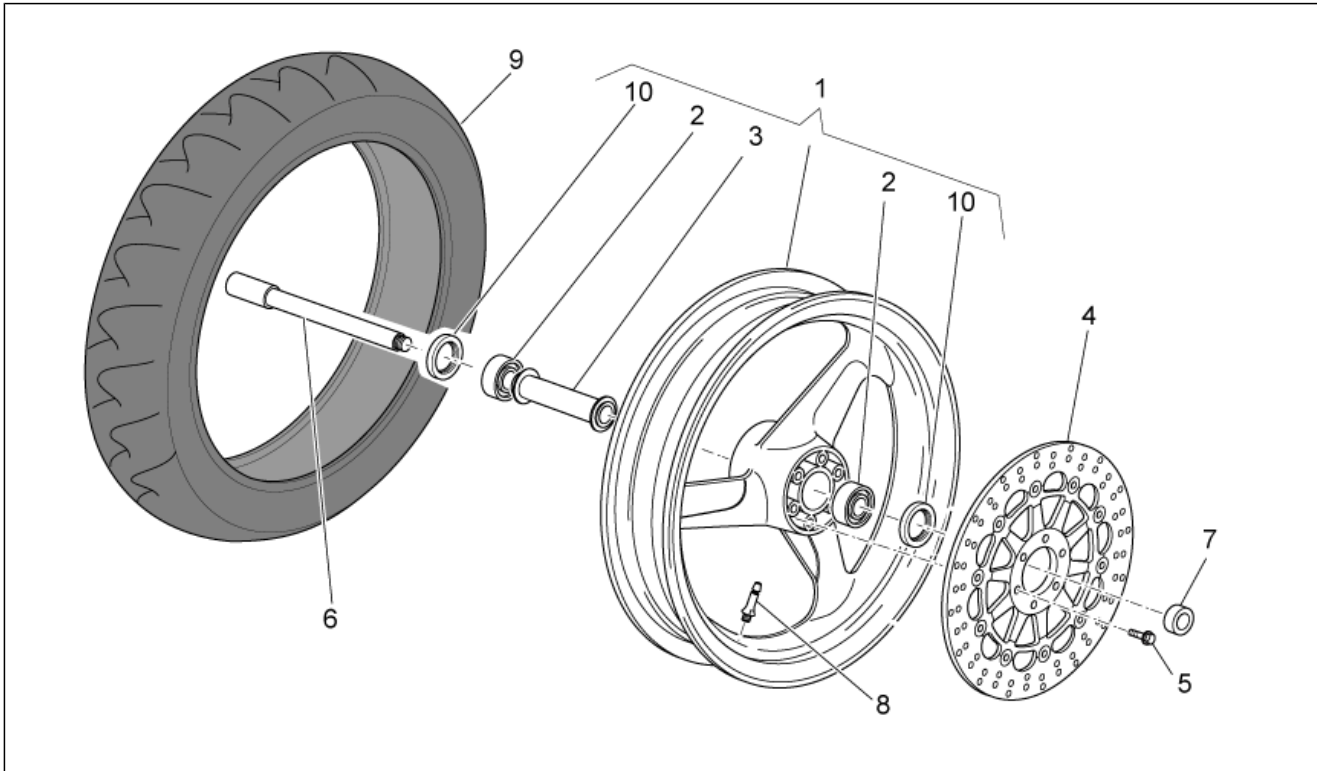
Pos.	Code	Description	Qty	Variants
34	GU32530505	O-ring 4118	2	Technical Specifications:Marzocchi[M]
35	887917	Sleeve protection	2	Technical Specifications:Kaifa[K]
35	GU32504210	Sleeve protection	2	Technical Specifications:Marzocchi[M]
36	887918	Plug	4	Technical Specifications:Kaifa[K]
36	GU23943410	Plug	8	Technical Specifications:Marzocchi[M]
37	GU32530610	Gaskets set	1	Technical Specifications:Marzocchi[M]
38	GU32530611	Engine oil seal kit	1	Technical Specifications:Marzocchi[M]
39	887906	RH sleeve	1	Technical Specifications:Kaifa[K]
40	887881	LH sleeve	1	Technical Specifications:Kaifa[K]

Group	FRAME
Code	33.33
Description	Rear shock absorber
Service	1



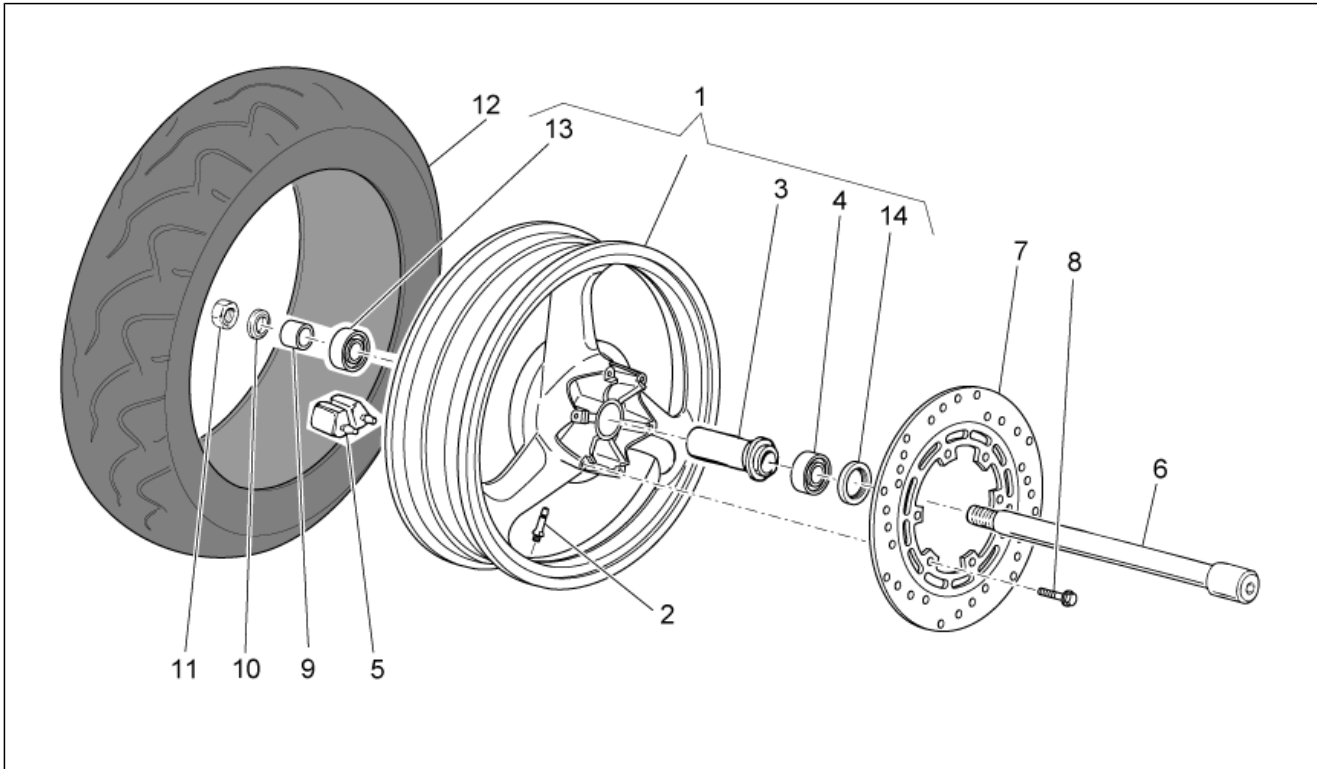
Pos.	Code	Description	Qty	Variants
1	GU32550210	Rear shock absorber Paioli	2	
1	GU32550211	Rear shock absorber Sachs	2	
2	AP8152278	Screw w/ flange M6x16	0	Vehicle colour: Breva Red 2003[b/re], Guzzi Black/Light Grey 2007[blg/lg], Guzzi Black 2006[g/bl], Grigna Grey 2003[g/gr], Mica White 2006 ica White 2006[m/wh], Ollare Black 2003[o/bl], Race Red 2005[r/re], Race Red 2006[r/red], Cyan 2006[s/bl]
2	AP8152279	Screw w/ flange M6x20	3	Vehicle colour: Municipal Police[pa], Pubblica Amministrazione Mauritius[pa.m]
2	GU95100139	Washer 6,5X17X1,5	0	Vehicle colour: Municipal Police[pa], Pubblica Amministrazione Mauritius[pa.m]
3	GU95005330	Washer 6,4x30x1,5	3	Vehicle colour: Breva Red 2003[b/re], Guzzi Black/Light Grey 2007[blg/lg], Guzzi Black 2006[g/bl], Grigna Grey 2003[g/gr], Mica White 2006 ica White 2006[m/wh], Ollare Black 2003[o/bl], Race Red 2005[r/re], Race Red 2006[r/red], Cyan 2006[s/bl]
4	GU32555210	Pin	1	
5	GU32555211	Pin	1	
6	GU95129181	Washer	1	
7	GU92606210	Nut M10x1,5	1	

Group	FRAME
Code	33.34
Description	Front wheel
Service	1



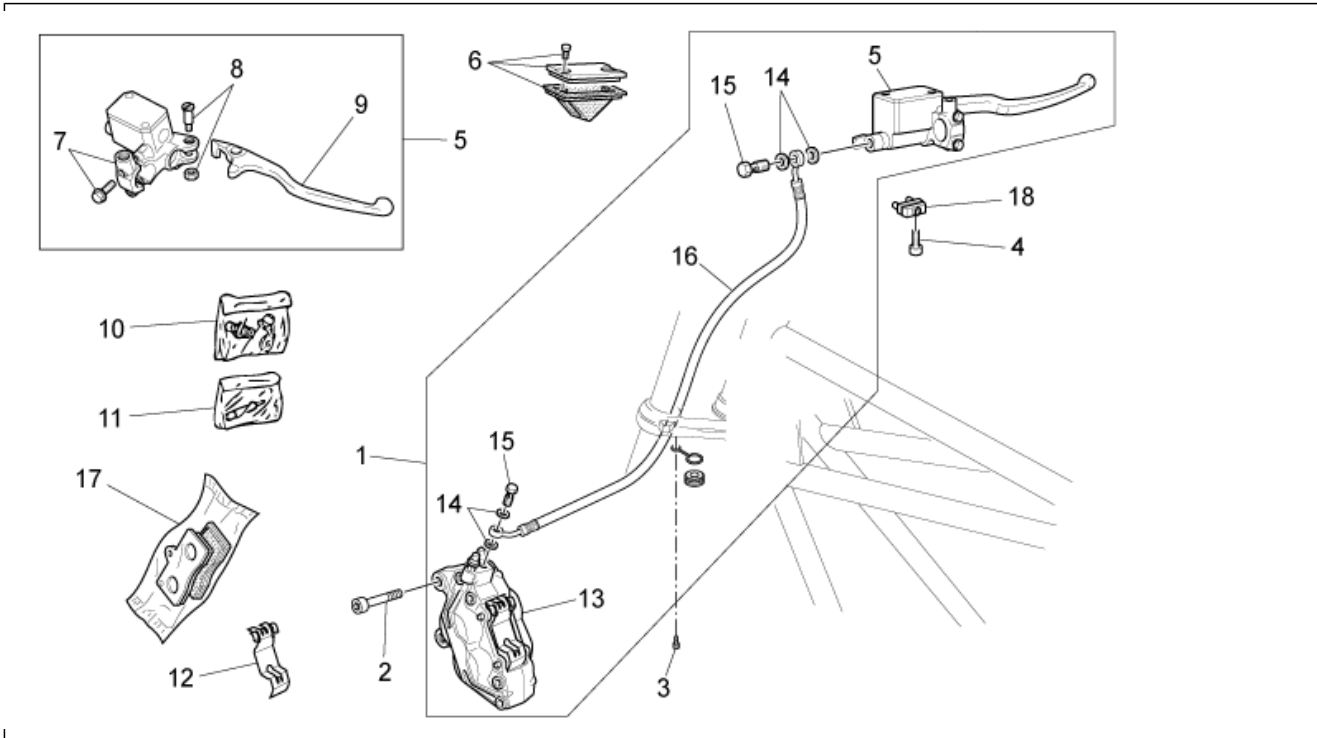
Pos.	Code	Description	Qty	Variants
1	977305	Front wheel	1	Year: 2006[6] Vehicle colour: Guzzi Black 2006[g/bl], Mica White 2006 ica White 2006[m/wh], Race Red 2006[r/red], Cyan 2006[s/bl]
1	977305	Front wheel	1	Year: 2007[7] Vehicle colour: Guzzi Black/Light Grey 2007[blg/lg], Municipal Police[pa], Pubblica Amministrazione Mauritius[pa.m], Race Red 2006[r/red]
1	GU32610310	Front wheel	1	Year: 2003[3], 2004[4], 2005[5] Vehicle colour: Breva Red 2003[b/re], Grigna Grey 2003[g/gr], Ollare Black 2003[o/bl], Race Red 2005[r/re]
2	GU92204221	Bearing	2	
3	GU32615210	Spacer	1	
4	GU31613383	Front brake disc	1	
5	AP8152286	Screw w/ flange M8x20	6	
6	GU32614110	Front wheel spindle	1	
7	GU32616310	Spacer	1	
8	AP8201546	Tubeless tyre valve	1	
9	0000000	Tyre	1	
10	AP8120621	Oil seal	2	

Group	FRAME
Code	33.35
Description	Rear wheel
Service	1



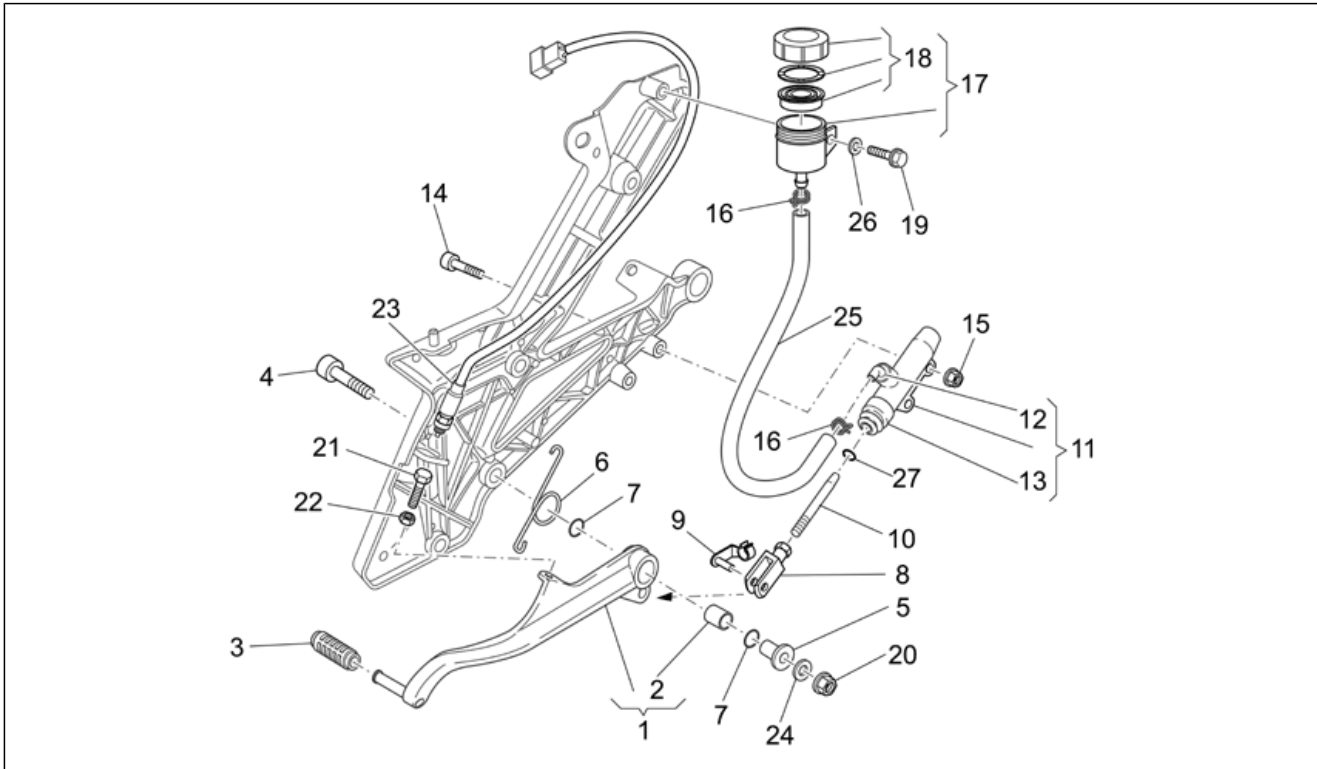
Pos.	Code	Description	Qty	Variants
1	977307	Rear wheel	1	Year: 2007[7] Vehicle colour: Guzzi Black/Light Grey 2007[blg/lg], Municipal Police[pa], Pubblica Amministrazione Mauritius[pa.m], Race Red 2006[r/red]
1	977307	Rear wheel	1	Year: 2006[6] Vehicle colour: Guzzi Black 2006[g/bl], Mica White 2006 ica White 2006[m/wh], Race Red 2006[r/red], Cyan 2006[s/bl]
1	GU32630610	Rear wheel	1	Year: 2003[3], 2004[4], 2005[5] Vehicle colour: Breva Red 2003[b/re], Grigna Grey 2003[g/gr], Ollare Black 2003[o/bl], Race Red 2005[r/re]
2	AP8201546	Tubeless tyre valve	1	
3	GU32634010	Spacer	1	
4	GU92204217	Bearing	1	
5	GU32632510	Rubber coupling	6	
6	GU31633381	Rear wheel spindle	1	
7	GU32635710	Rear brake disc gold	1	
8	AP8152278	Screw w/ flange M6x16	6	
9	GU32634111	Spacer	1	
10	GU31634481	Washer	1	
11	GU92606316	Nut M16x1,5	1	
12	0000000	Tyre	1	
13	GU92204218	Bearing	1	
14	AP8125326	Oil seal	1	

Group	FRAME
Code	33.36
Description	Front brake system
Service	1



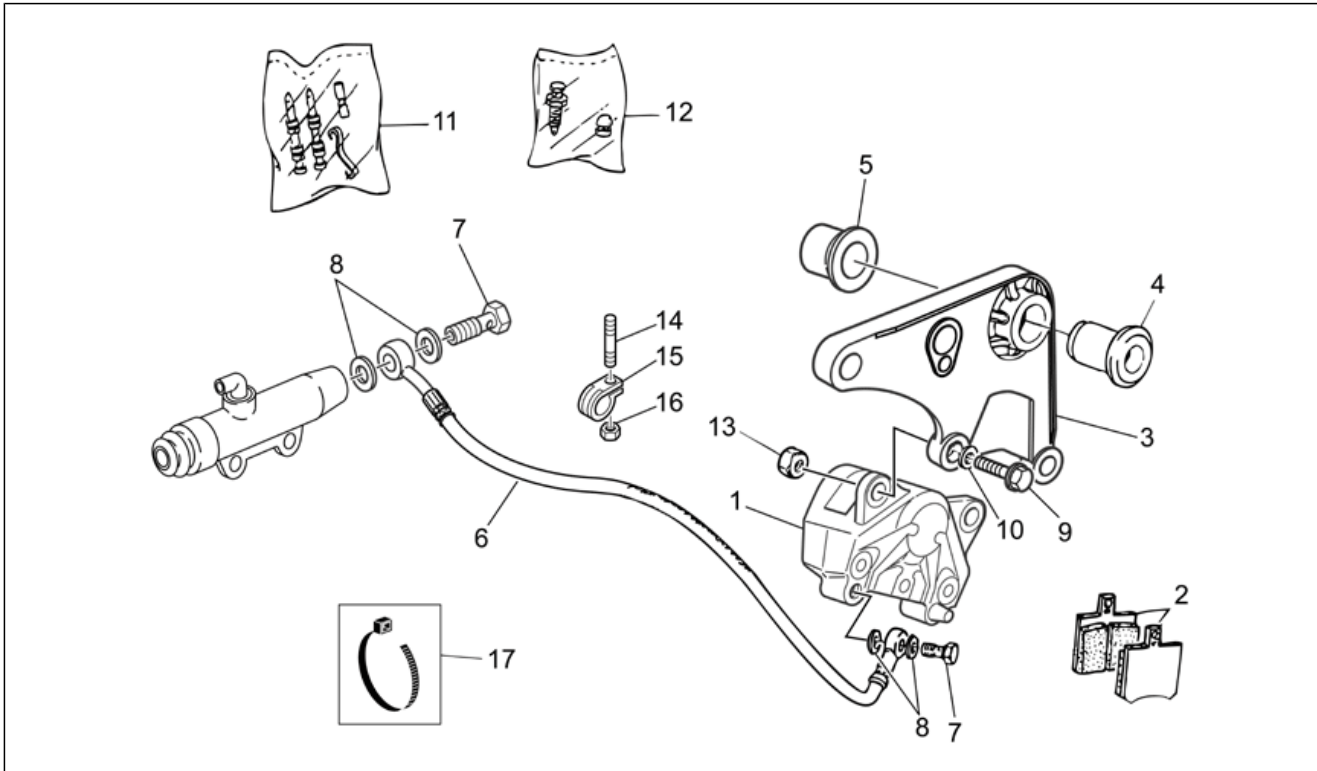
Pos.	Code	Description	Qty	Variants
1	GU32650010	Front brake system	1	
2	AP8152385	Hex socket screw M10x1,25	2	
3	AP8152277	Screw w/ flange M6x12	1	
4	GU98370412	Hex socket screw M4x12	1	
5	GU03660145	Front master cilinder	1	
6	GU03661145	Pump cover	1	
7	GU03664045	U-bolt	1	
8	GU03604845	Lever pin	1	
9	GU03605645	Brake lever	1	
10	GU01659230	Bleeder+cap	1	
11	GU01659130	Pins+Caliper springs	1	
12	GU01659131	Spring	1	
13	GU32652210	LH front brake caliper	1	
14	AP8121915	Gasket	4	
15	AP8113003	Oil pipe screw *	2	
16	GU32657110	Brake hose	1	
17	GU32654610	Pads pair	1	
18	GU03749845	Stop switch	1	

Group	FRAME
Code	33.37
Description	Rear master cylinder
Service	1



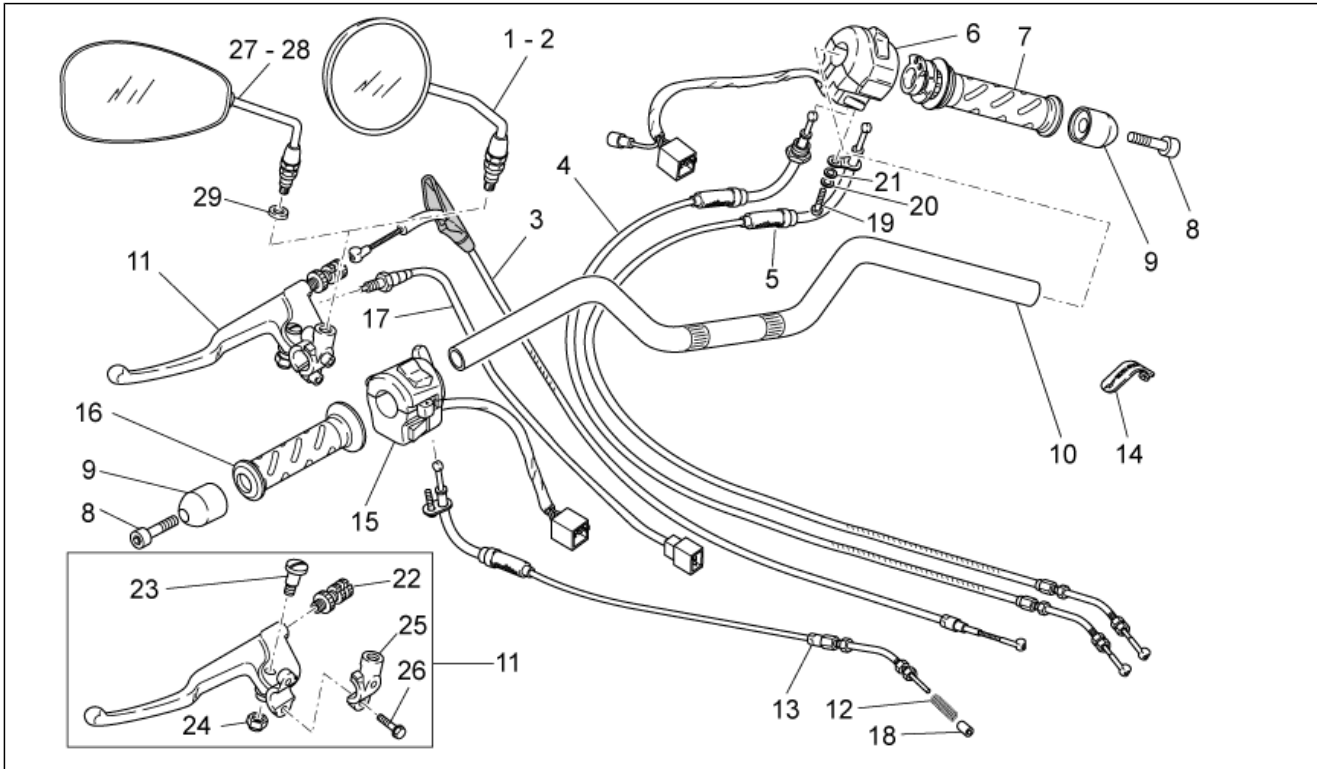
Pos.	Code	Description	Qty	Variants
1	GU32677011	Rear brake lever	1	
2	0000000	Tyre	1	
3	AP8220189	Rubber spacer	1	
4	GU98680450	Hex socket screw M8x50	1	
5	GU32678110	Bush	1	
6	GU32639510	Spring	1	
7	AP8144007	O-ring 11,11x1,78	2	
8	AP8101968	Fork	1	
9	AP8201301	Gear selector fork clips	1	
10	GU32675210	Master cylinder rod	1	
11	AP8113502	Rear master cylinder	1	
12	AP8213057	Rear brake pump union	1	
13	AP8113288	Rubber bellows	1	
14	GU98680335	Hex socket screw M6x35	2	
15	AP8152299	Self-locking nut M6	2	
16	AP8101595	Hose clamp D10,1	2	
17	AP8113241	Brake oil tank complete	1	
18	AP8113553	Tank cap	1	
19	AP8152272	Screw w/ flange M5x12	1	
20	GU92660208	Nut	1	
21	GU98084330	screw M6x30	1	
22	GU92606206	Nut	1	
23	AP8112996	clutch switch	1	
24	AP8150018	Washer	1	
25	GU00823950050	Oil pipe	1	
26	GU95021206	Washer	1	
27	AP8120178	O-ring OR112	1	

Group	FRAME
Code	33.38
Description	Rear brake caliper
Service	1



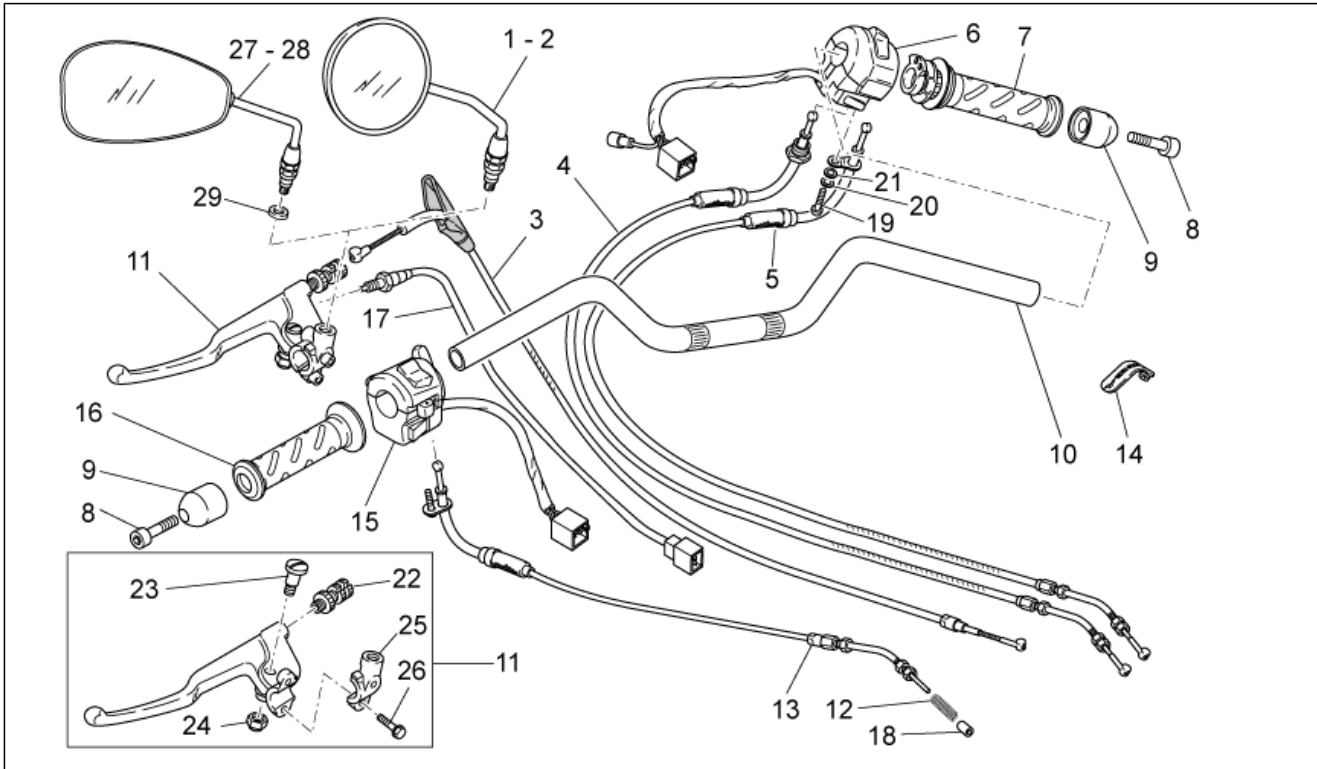
Pos.	Code	Description	Qty	Variants
1	GU32653010	Rear brake caliper Brembo	1	
2	GU31654681	Pads pair	1	
3	GU32635860	Brake hanger plate	1	
4	GU31634281	Bushing	1	
5	GU32634111	Spacer	1	
6	GU32657510	Brake hose	1	
7	AP8113003	Oil pipe screw *	2	
8	AP8121915	Gasket	4	
9	AP8152291	Screw w/ flange	2	
10	GU95008308	Washer	2	
11	GU31659181	Pins+spring kit	1	
12	GU31659281	Bleeder+cap	1	
13	AP8152300	Self-locking nut M8	2	
14	GU96451316	Stud bolt	2	
15	AP8134167	Brake hose hanger	2	
16	GU92606206	Nut	2	
17	GU49609601	Hose clamp 2,4x92	1	

Group	FRAME
Code	33.39
Description	Handlebar - Controls
Service	1



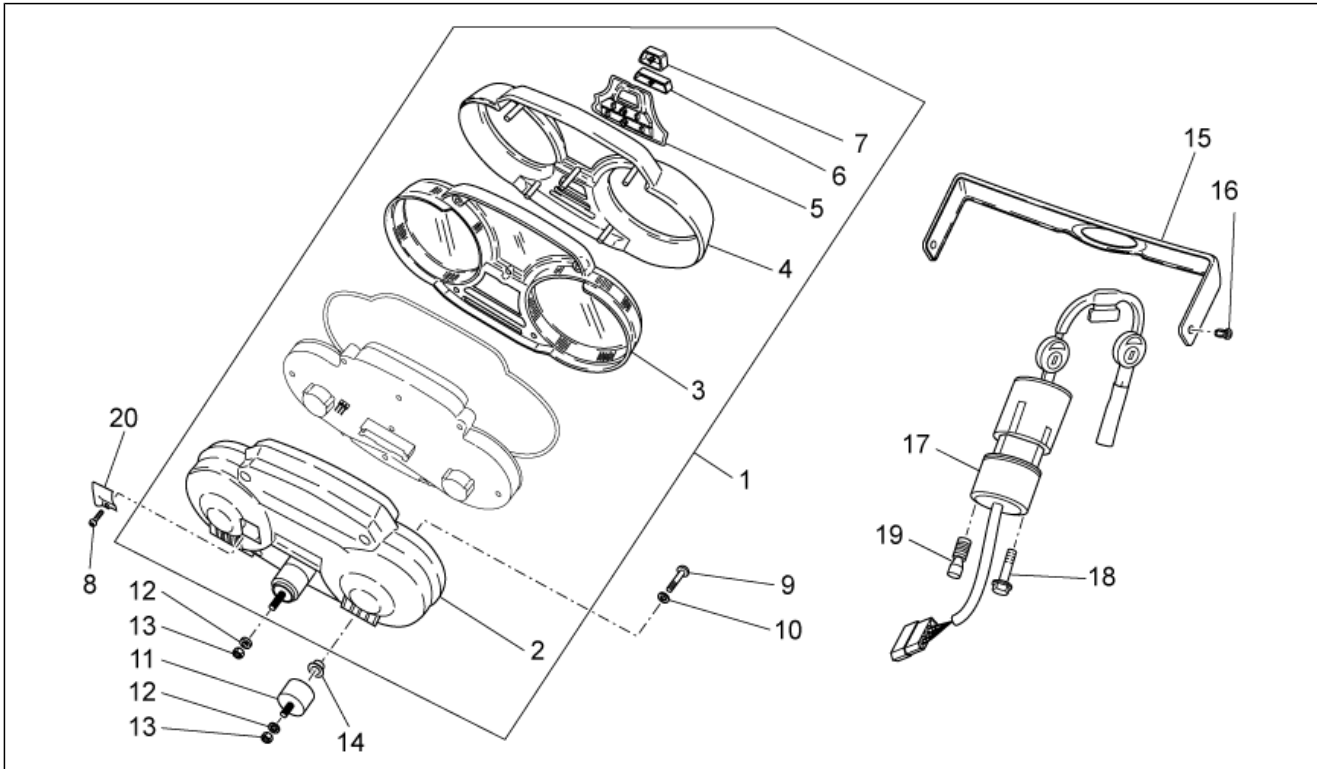
Pos.	Code	Description	Qty	Variants
1	GU32769810	LH rearview mirror	1	Technical Specifications: First series[1A]
2	GU32769410	RH rearview mirror	1	Technical Specifications: First series[1A]
3	GU32093010	Clutch cable	1	
4	GU32117010	Gas trasmission delivery	1	
5	GU32117011	Gas trasmission return	1	
6	GU32738810	RH lights selector	1	
7	GU32603310	RH hand grip	1	
8	GU98680340	Hex socket screw M6x40	1	
9	AP8104509	Anti.v weight, black	2	
10	GU32600310	Handlebar	1	
11	GU32605510	Clutch lever	1	
12	GU94321074	Spring 7x1,1x25	1	
13	GU32137010	Choke cable	1	
14	GU01609630	Hose clamp L46 mm	2	
14	GU03609600	Hose clamp L36 mm	2	
15	GU32738010	LH lights selector	1	
16	GU32603010	LH hand grip	1	
17	GU29759150	Lateral stand switch	1	
18	GU39094200	Cover	1	
19	GU98230510	Hex socket screw	1	
20	GU95008305	Washer 5,3X10X1	1	
21	GU95021105	Notched washer	1	
22	GU30602500	Register	1	
23	AP8213028	screw	1	
24	AP8213388	Self-locking nut	1	
25	GU30601060	Clump	1	
26	GU97202325	Black screw w/ flange M6x25	2	

Group	FRAME
Code	33.39
Description	Handlebar - Controls
Service	1



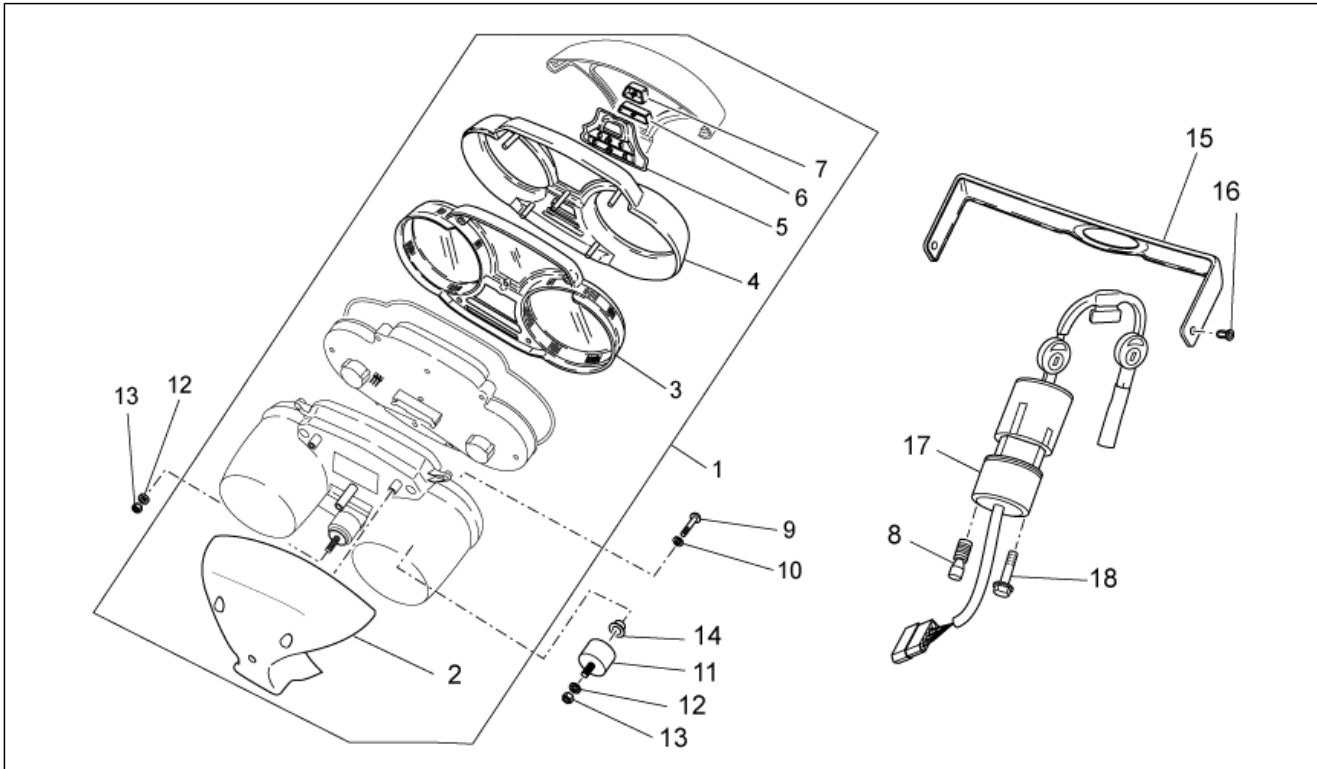
Pos.	Code	Description	Qty	Variants
27	GU32769460	RH rearview mirror	1	Vehicle colour: Municipal Police[pa], Pubblica Amministrazione Mauritius[pa.m] Technical Specifications: Second series[2A]
28	GU32769860	LH rearview mirror	1	Vehicle colour: Municipal Police[pa], Pubblica Amministrazione Mauritius[pa.m] Technical Specifications: Second series[2A]
29	GU91181003	Spacer 10,25X20X4	2	Vehicle colour: Municipal Police[pa], Pubblica Amministrazione Mauritius[pa.m] Technical Specifications: Second series[2A]

Group	FRAME
Code	33.40
Description	Dashboard I
Service	1



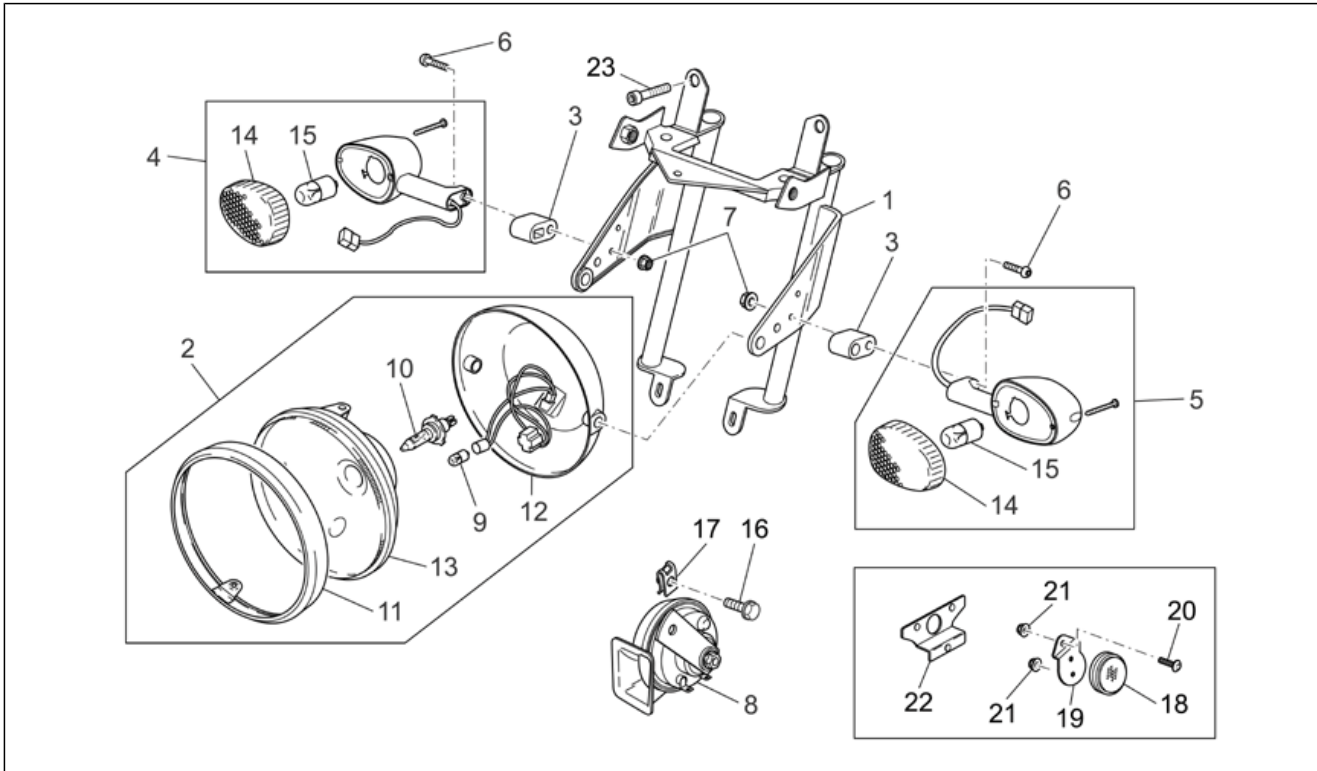
Pos.	Code	Description	Qty	Variants
1	GU32760010	Dashboard complete	1	Year:2003[3], 2004[4], 2005[5] Vehicle colour:Municipal Police[pa], Pubblica Amministrazione Mauritius[pa.m]
1	GU32760011	Dashboard complete	1	Year:2003[3], 2004[4], 2005[5] Country:Great Britain[UK], United States of America[USA]
2	GU32762010	Box	1	Year:2003[3], 2004[4], 2005[5] Vehicle colour:Municipal Police[pa], Pubblica Amministrazione Mauritius[pa.m]
3	GU32761810	Guard	1	
4	GU32766210	Guard	1	
5	GU32762910	Gasket	1	
6	GU32762810	Button Trip	1	
7	GU32745710	Button Hazard	1	
8	GU99210311	Self-tap screw 2,9x9,5	1	Year:2003[3], 2004[4], 2005[5] Vehicle colour:Municipal Police[pa], Pubblica Amministrazione Mauritius[pa.m]
9	GU98370609	Hex socket screw M6x10	2	
10	GU95005306	Washer 6,4x13x1,5	2	
11	GU93222023	Silent-block	2	
12	GU95021206	Washer	3	
13	GU92606206	Nut	3	
14	AP8121032	Bush	2	
15	GU32766810	Cover	1	
16	GU23922210	Pin	2	
17	GU32782510	Main switch - steering lock	1	
18	AP8152288	Screw w/ flange	1	
19	GU97260415	Special screw M8x15	1	
20	GU32766610	Plug	1	Year:2003[3], 2004[4], 2005[5] Vehicle colour:Municipal Police[pa], Pubblica Amministrazione Mauritius[pa.m]

Group	FRAME
Code	33.41
Description	Dashboard II
Service	1



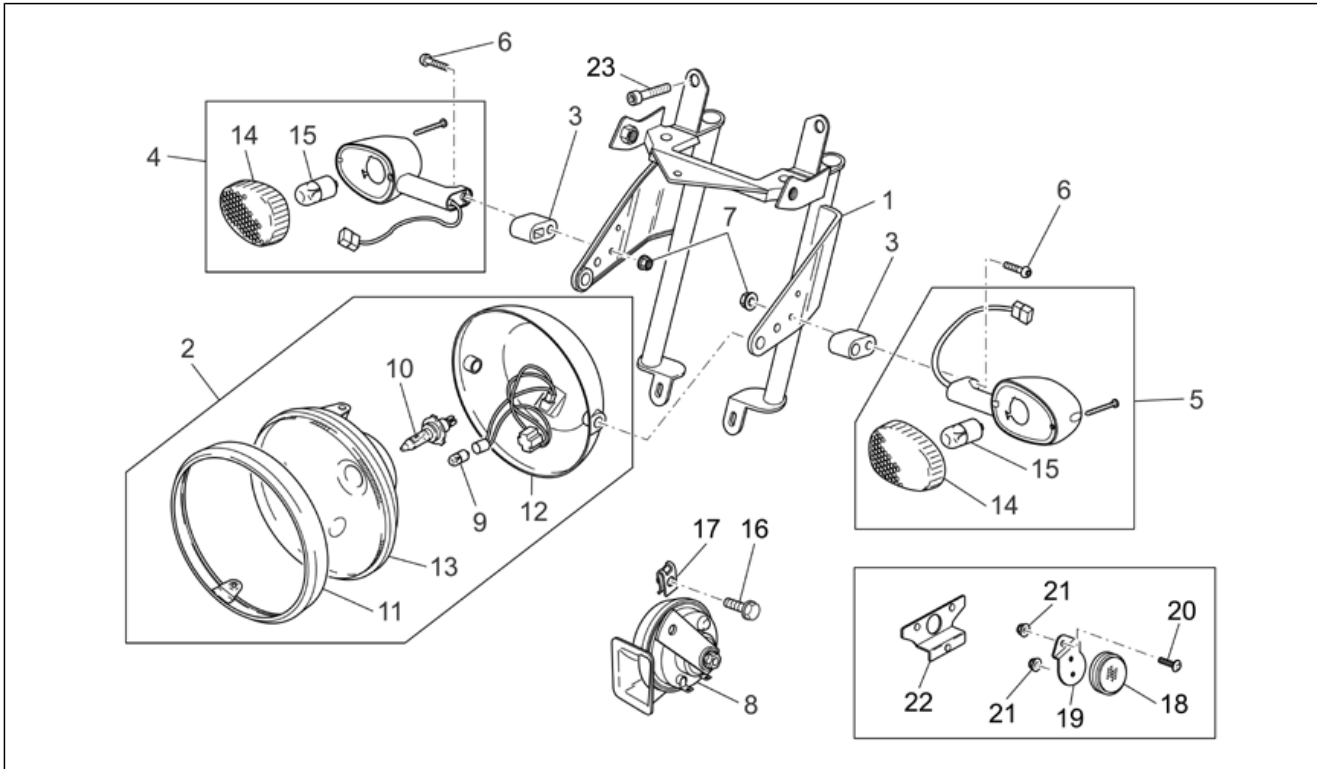
Pos.	Code	Description	Qty	Variants
1	GU32760060	Dashboard complete	1	Year:2006[6], 2007[7]
1	GU32760061	Dashboard complete	1	Year:2006[6], 2007[7] Country:Great Britain[UK], United States of America[USA]
2	GU32766560	Lower cover	1	Year:2006[6], 2007[7]
3	GU32761810	Guard	1	
4	GU32766210	Guard	1	Year:2006[6], 2007[7]
5	GU32762910	Gasket	1	
6	GU32762810	Button Trip	1	
7	GU32745710	Button Hazard	1	
8	AP8150349	Special screw M8x15	1	
9	GU98370609	Hex socket screw M6x10	2	
10	GU95005306	Washer 6,4x13x1,5	2	
11	GU93222023	Silent-block	2	
12	GU95021206	Washer	3	
13	GU92606206	Nut	3	
14	AP8121032	Bush	2	
15	GU32766810	Cover	1	
16	GU23922210	Pin	2	
17	GU32782510	Main switch - steering lock	1	
18	AP8152288	Screw w/ flange	1	

Group	FRAME
Code	33.42
Description	Front lights
Service	1



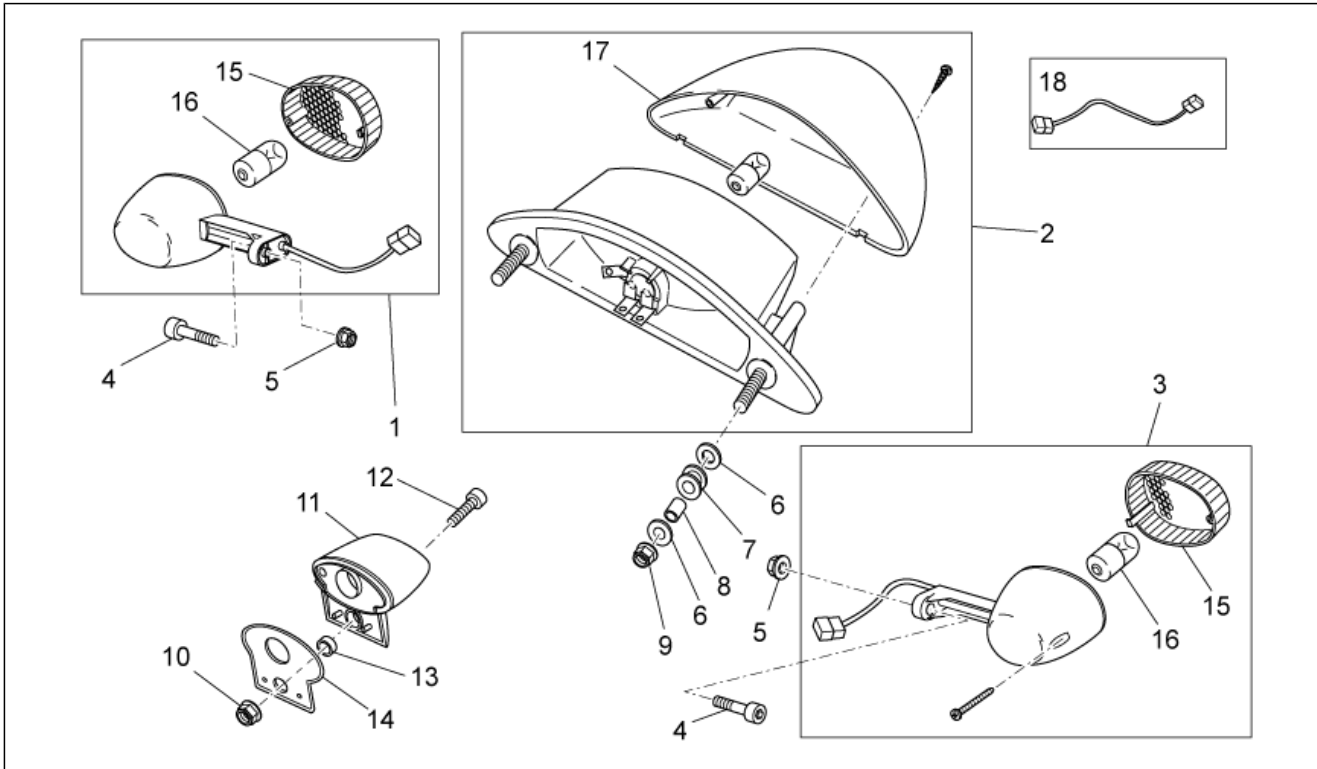
Pos.	Code	Description	Qty	Variants
1	GU32506360	Headlight support clamp	1	
2	GU32740510	Headlight	1	Vehicle colour: Municipal Police[pa] Country: Spain[E], Other country Europe[EU], United States of America[USA]
2	GU32740511	Cpl headlightsteering headligh	1	Vehicle colour: Pubblica Amministrazione Mauritius[pa.m] Country: Australia[AUS], Japan[J], Great Britain[UK]
3	GU32753410	Spacer	2	
4	GU32750610	RH front/LH rear turn indic.	1	Vehicle colour: Municipal Police[pa], Pubblica Amministrazione Mauritius[pa.m] Country: Australia[AUS], Spain[E], Other country Europe[EU], Japan[J], Great Britain[UK]
4	GU32750611	RH front/LH rear turn indic.	1	Country: United States of America[USA]
5	GU32751610	LH front/RH rear turn indic.	1	Vehicle colour: Municipal Police[pa], Pubblica Amministrazione Mauritius[pa.m] Country: Australia[AUS], Spain[E], Other country Europe[EU], Japan[J], Great Britain[UK]
5	GU32751611	LH front/RH rear turn indic.	1	Country: United States of America[USA]
6	GU98370655	Hex socket screw	2	
7	GU92630206	Nut M6x1	2	
8	GU32743710	Horn	1	
9	GU93450105	Lamp	1	
10	GU93450232	Lamp 12V-55/60W	1	
11	GU31740383	Chromed ring nut	1	
12	GU32740210	Front calotte, black	1	
13	GU32740410	Light assembly	1	Vehicle colour: Municipal Police[pa] Country: Spain[E], Other country Europe[EU], United States of America[USA]
13	GU32740411	Optical group	1	Vehicle colour: Pubblica Amministrazione Mauritius[pa.m] Country: Australia[AUS], Japan[J], Great Britain[UK]
14	GU32753710	Turn indicator lens	2	Vehicle colour: Municipal Police[pa], Pubblica Amministrazione Mauritius[pa.m]

Group	FRAME
Code	33.42
Description	Front lights
Service	1



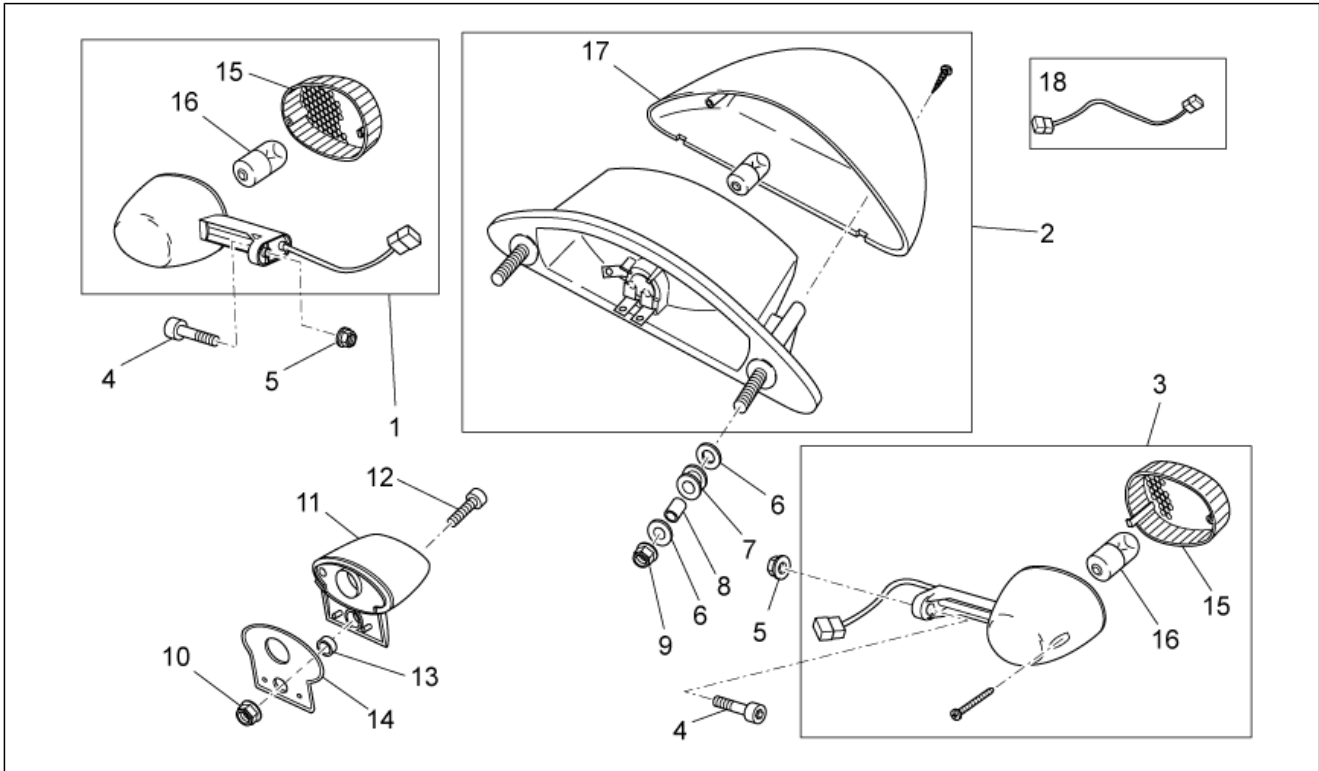
Pos.	Code	Description	Qty	Variants
				Country: Australia[AUS], Spain[E], Other country Europe[EU], Japan[J], Great Britain[UK]
14	GU32753711	Turn indicator lens	2	Country: United States of America[USA]
15	GU93450126	Lamp, orange	2	Vehicle colour: Municipal Police[pa], Pubblica Amministrazione Mauritius[pa.m] Country: Australia[AUS], Spain[E], Other country Europe[EU], Japan[J], Great Britain[UK]
15	GU93450127	Lamp	2	Country: United States of America[USA]
16	GU97202420	Screw w/ flange M8x20	1	
17	GU01576530	Nut with clip M8x1,25	1	
18	AP8224163	Reflector, amber	2	Country: United States of America[USA]
19	AP8148587	Reflector support	2	Country: United States of America[USA]
20	AP8152174	Hex socket screw	2	Country: United States of America[USA]
21	AP8152306	Self-locking nut m5	4	Country: United States of America[USA]
22	GU32781810	plate	2	Country: United States of America[USA]
23	GU98880540	screw M10x40	2	

Group	FRAME
Code	33.43
Description	Rear lights
Service	1



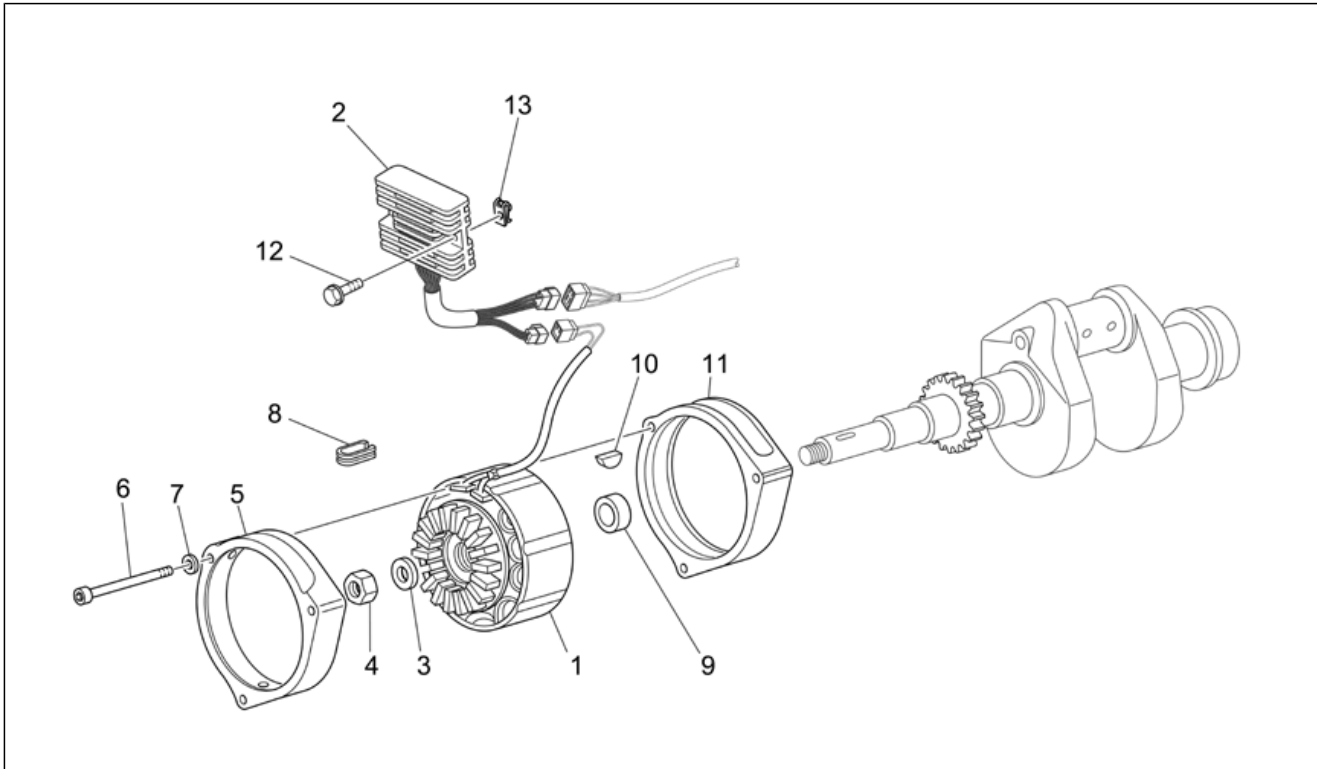
Pos.	Code	Description	Qty	Variants
1	GU32751610	LH front/RH rear turn indic.	1	Vehicle colour: Municipal Police[pa], Pubblica Amministrazione Mauritius[pa.m] Country: Australia[AUS], Spain[E], Other country Europe[EU], Japan[J], Great Britain[UK]
1	GU32751611	LH front/RH rear turn indic.	1	Country: United States of America[USA]
2	GU32740910	Taillight	1	
3	GU32750610	RH front/LH rear turn indic.	1	Vehicle colour: Municipal Police[pa], Pubblica Amministrazione Mauritius[pa.m] Country: Australia[AUS], Spain[E], Other country Europe[EU], Japan[J], Great Britain[UK]
3	GU32750611	RH front/LH rear turn indic.	1	Country: United States of America[USA]
4	GU98370621	Hex socket screw M6x20	2	
5	AP8152299	Self-locking nut M6	2	
6	GU95100141	Washer 6,4x12x1,2	4	
7	AP8120030	Rubber spacer	2	
8	GU91180711	Spacer 7x10x11	2	
9	GU92630206	Nut M6x1	2	
10	AP8152306	Self-locking nut m5	1	
11	AP8127098	Number-plate light	1	
12	GU98680222	Hex socket screw	1	
13	GU91120507	Bush	1	
14	GU32474710	Support rubber part	1	
15	GU32753710	Turn indicator lens	2	Vehicle colour: Municipal Police[pa], Pubblica Amministrazione Mauritius[pa.m] Country: Australia[AUS], Spain[E], Other country Europe[EU], Japan[J], Great Britain[UK]
15	GU32753711	Turn indicator lens	2	Country: United States of America[USA]
16	GU93450126	Lamp, orange	2	Vehicle colour: Municipal Police[pa], Pubblica Amministrazione Mauritius[pa.m] Country: Australia[AUS], Spain[E], Other country Europe[EU], Japan[J], Great Britain[UK]

Group	FRAME
Code	33.43
Description	Rear lights
Service	1



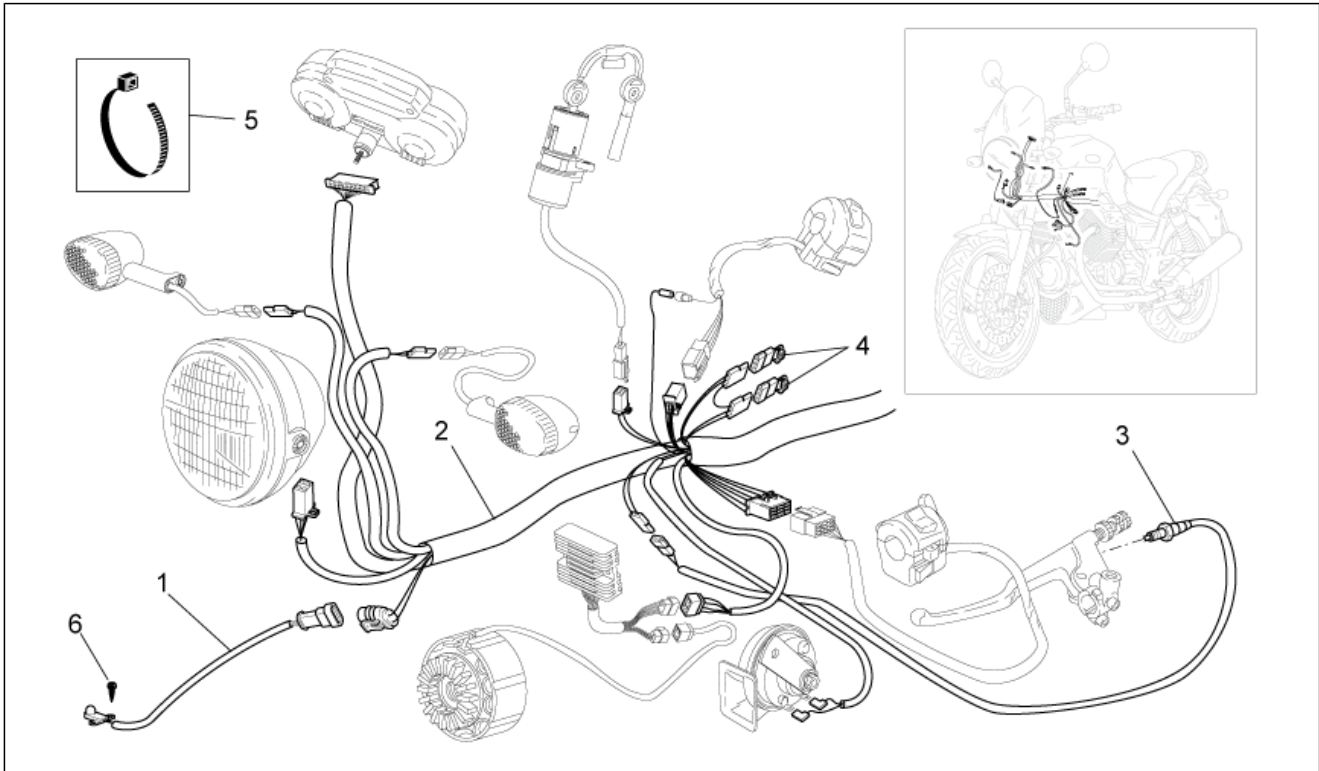
Pos.	Code	Description	Qty	Variants
17	GU32741710	Taillight lens	1	
18	GU32750910	Turn indicators extension	2	Vehicle colour: Municipal Police[pa], Pubblica Amministrazione Mauritius[pa.m]

Group	FRAME
Code	33.44
Description	Generator - Regulator
Service	1



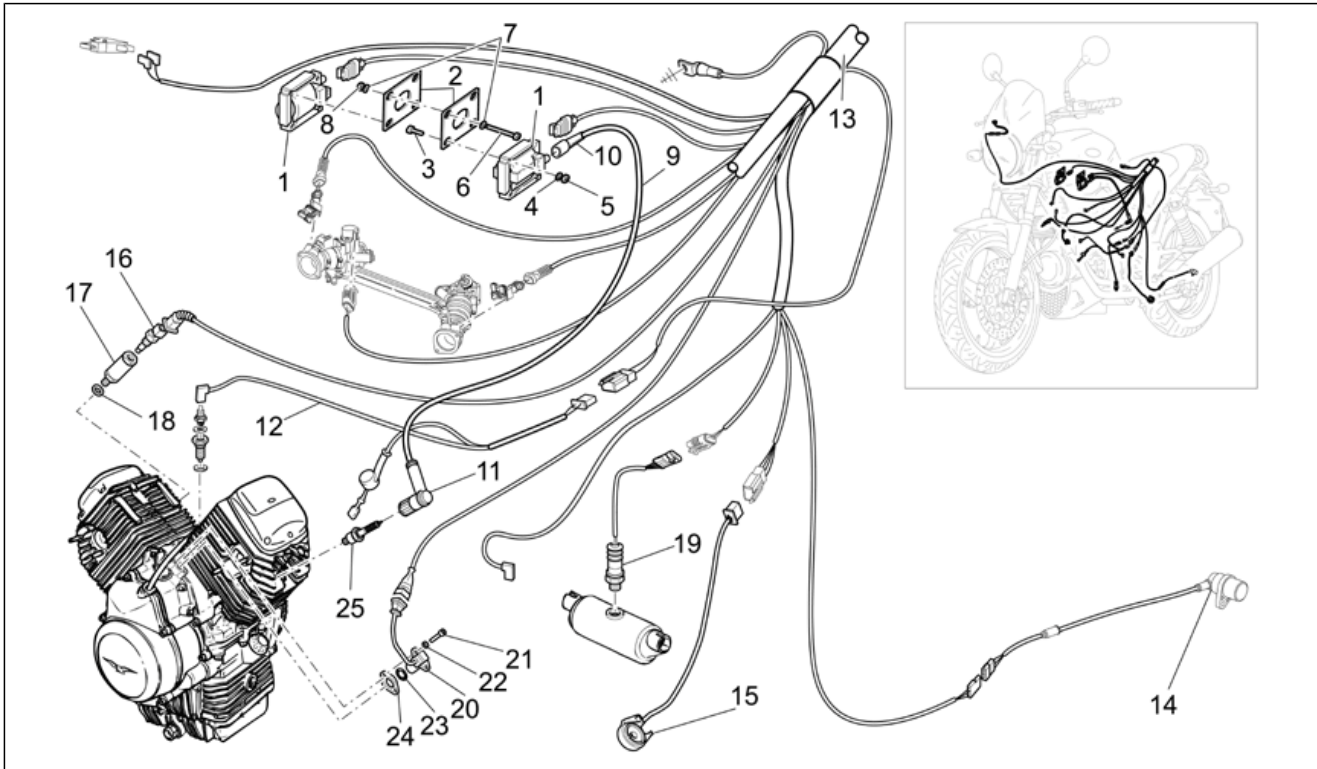
Pos.	Code	Description	Qty	Variants
1	GU32712411	Ducati generator	1	
2	GU32703810	DUCATI regulator	1	
3	GU30714201	Washer 16,25x24,5x5	1	
4	GU92606516	Nut M16	1	
5	GU29711460	Front calotte	1	
6	GU98680265	Hex socket screw	3	
7	GU29217960	Washer 5,9X3X0,8	3	
8	GU19007700	Rubber spacer	1	
9	GU31712365	Spacer	1	
10	GU91600450	Transmission key	1	
11	GU29711960	Rear cap	1	
12	AP8152280	Screw w/ flange M6x25	2	
13	GU28576591	Clip M6	2	

Group	FRAME
Code	33.46
Description	Front electrical system
Service	1



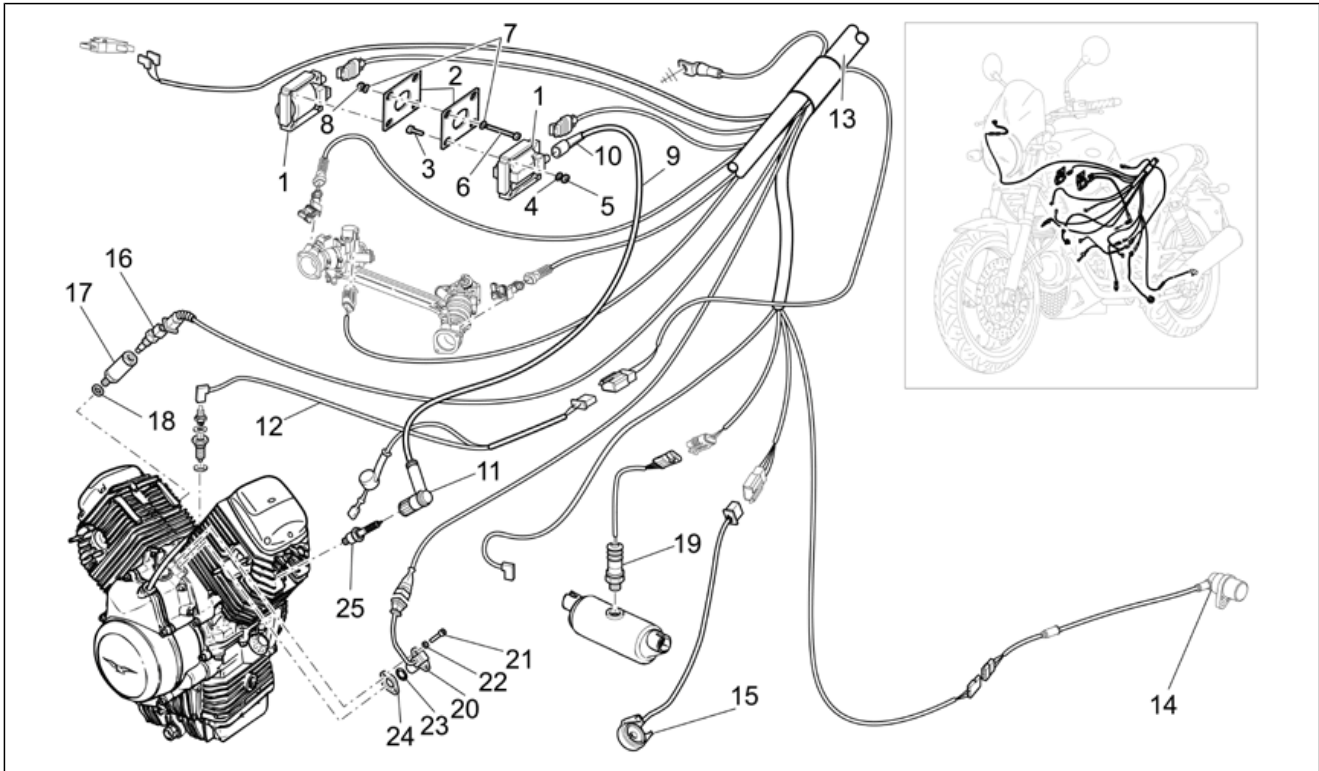
Pos.	Code	Description	Qty	Variants
1	AP8124936	Air temp. Sensor	1	
2	GU32747110	Main wiring harness	1	
3	GU29759150	Lateral stand switch	1	
4	AP8212588	Diode	2	
5	GU30609600	Hose clamp 8,8x185	1	
6	GU99220207	Self-tap screw	1	

Group	FRAME
Code	33.47
Description	Central electrical system
Service	1



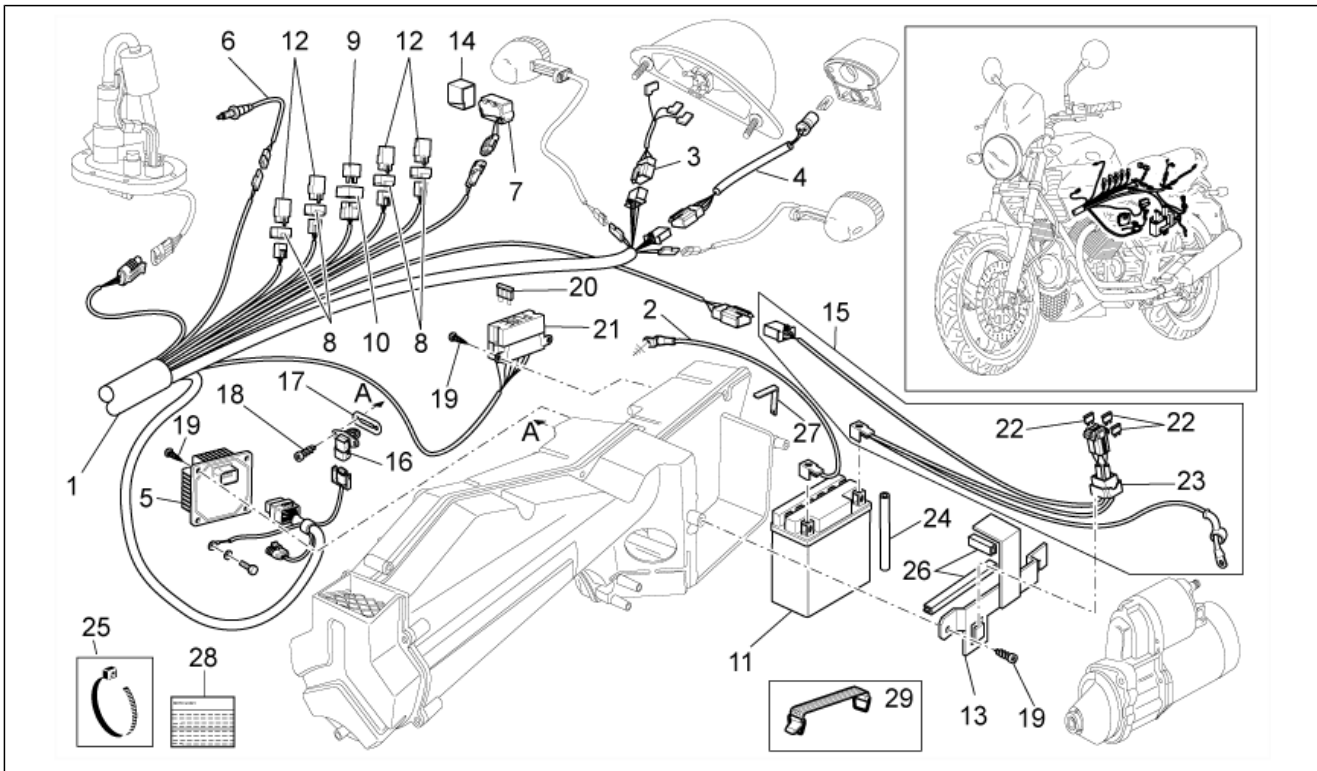
Pos.	Code	Description	Qty	Variants
1	GU30716500	HT coil	2	
2	GU20716720	Coil holder	2	
3	GU98680125	screw M4x25	4	
4	GU95008204	Washer 4,3x8x0,5	4	
5	GU92630104	Nut M4x0,7	4	
6	GU98680360	Hex socket screw M6x60	2	
7	GU95008206	Washer 6,15x11x0,8	4	
8	GU92630707	Nut	2	
9	GU32718310	HT wire	2	
10	GU14717600	Cap	2	
11	GU03717450	Sparkplug cap	2	
12	GU32724510	Oil-neutral gear harness	1	
13	GU32747110	Main wiring harness	1	
14	AP8124528	Speedometer sensor cpl.	1	
15	AP8124977	Rotary switch	1	
16	GU29729461	Oil temperature sensor	1	
17	GU03163330	Sensor support	1	
18	GU95004210	Washer 10,2x18x2	1	
19	GU32727010	Lamda sensor	1	
20	GU01721600	Phase/revolution sensor	1	
21	GU98682212	Hex socket screw M5x12	2	
22	GU95008205	Washer 5,3x10x0,8	2	
23	GU90706141	O-ring	1	
24	GU01722700	Gasket 0,3mm	1	
24	GU01722701	Gasket 0,4 mm	1	
24	GU01722702	Gasket 0,6mm	1	
24	GU01722703	Gasket	1	
24	GU01722704	Gasket 1mm	1	

Group	FRAME
Code	33.47
Description	Central electrical system
Service	1



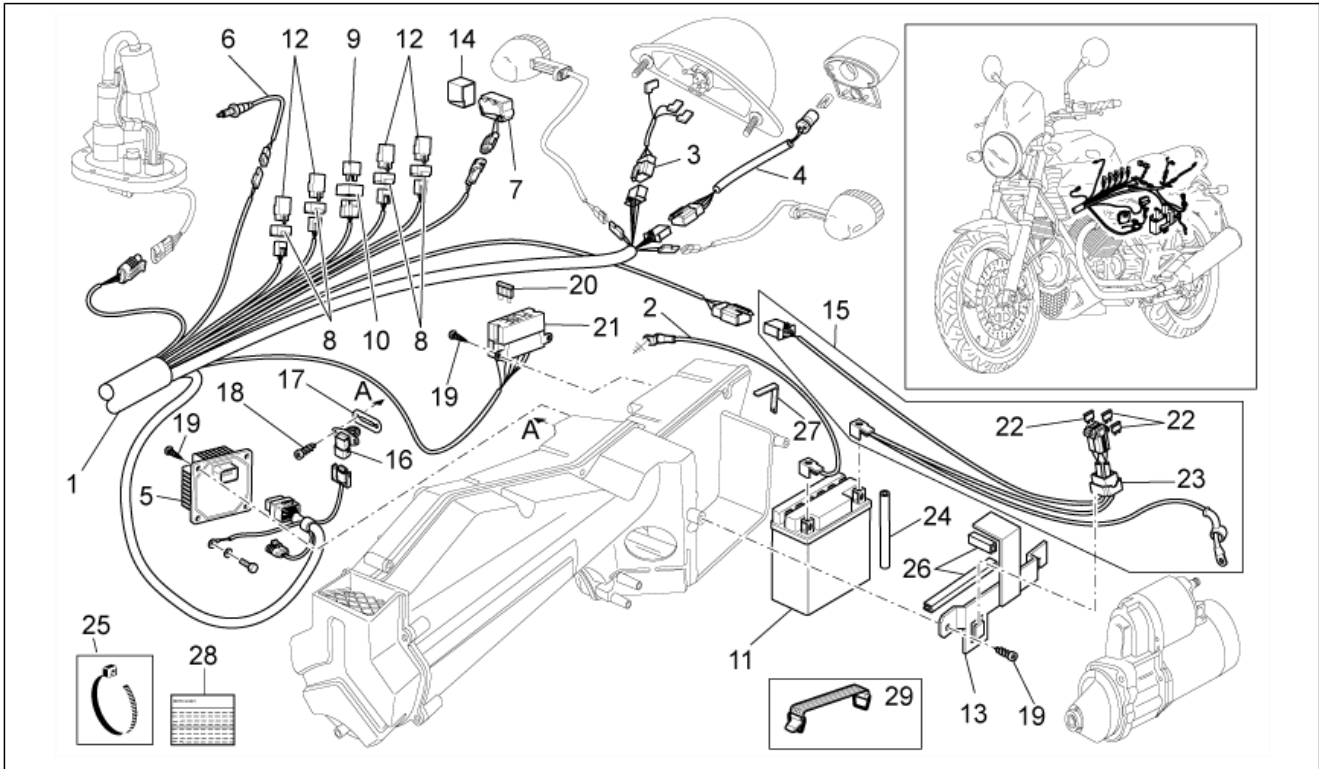
Pos.	Code	Description	Qty	Variants
24	GU01722705	Gasket 1,5mm	1	
24	GU29722760	Gasket 0,5 mm	1	
25	GU31717061	Spark plug NGK BR8ES	2	

Group	FRAME
Code	33.48
Description	Rear electrical system
Service	1



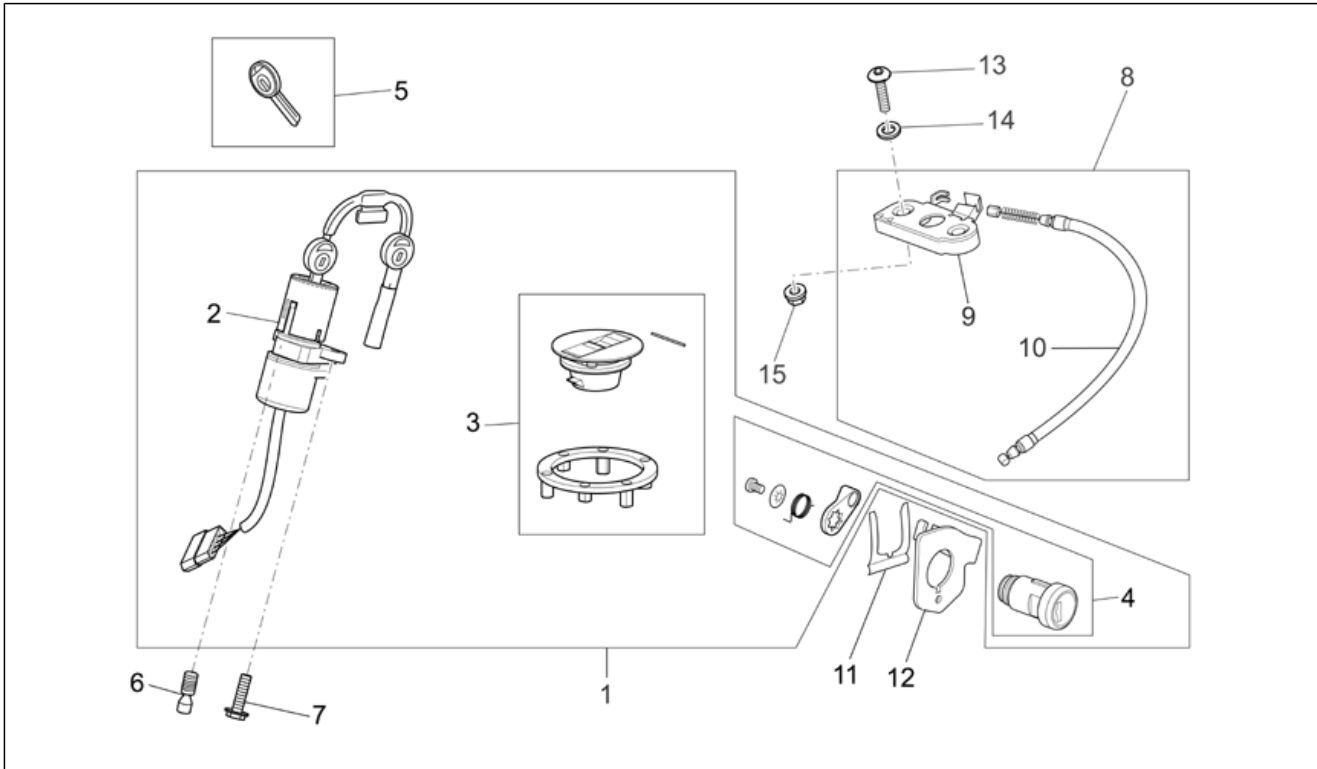
Pos.	Code	Description	Qty	Variants
1	GU32747110	Main wiring harness	1	
2	GU32747910	Ground-battery lead	1	
3	GU32747610	Taillight wiring harn.	1	
4	AP8127072	Plate light wiring	1	
5	977308	ECU	1	Year:2006[6], 2007[7] Vehicle colour:Municipal Police[pa], Pubblica Amministrazione Mauritius[pa.m]
5	GU32729510	ECU	1	Year:2003[3], 2004[4], 2005[5]
6	AP8112996	clutch switch	2	
7	AP8124266	Inclination sensor	1	
8	AP8220283	Rubber spacer *	4	
9	AP8124869	Injection relay	1	
10	AP8220546	Relay rubber	1	
11	AP8127073	Battery	1	
11	GU01704501	Battery 12V-13A	1	Vehicle colour:Municipal Police[pa], Pubblica Amministrazione Mauritius[pa.m]
12	AP8224462	Relay 12V/30A	4	
13	GU32418210	Bracket	1	
14	AP8144046	Rubber sensor support	1	
15	GU32748010	Wiring	1	
16	GU30729330	Air temp. Sensor	1	
17	GU30027931	Gasket	1	
18	AP8150421	Self-tap screw 2,9x12	2	
19	AP8152329	Phillips screw, SWP M5x20	8	
20	AP8127346	Fuse 3A	2	
20	GU28742560	Fuse 15A	5	
21	AP8124274	Fuse holder box	1	
22	GU28742562	Fuse 30A	3	
23	AP8112811	Rubber fuse box	1	

Group	FRAME
Code	33.48
Description	Rear electrical system
Service	1



Pos.	Code	Description	Qty	Variants
24	AP8220263	Breather pipe 4x8	1	
25	GU14609650	Hose clamp 3,6x20,6	14	
25	GU49609601	Hose clamp 2,4x92	1	
26	AP8144538	Gasket	1	
27	GU31112965	Square	1	
28	GU32517710	Decal "Battery service"	1	Year:2006[6], 2007[7]
29	GU02705500	Battery fixing snap	1	Vehicle colour:Municipal Police[pa], Pubblica Amministrazione Mauritius[pa.m]

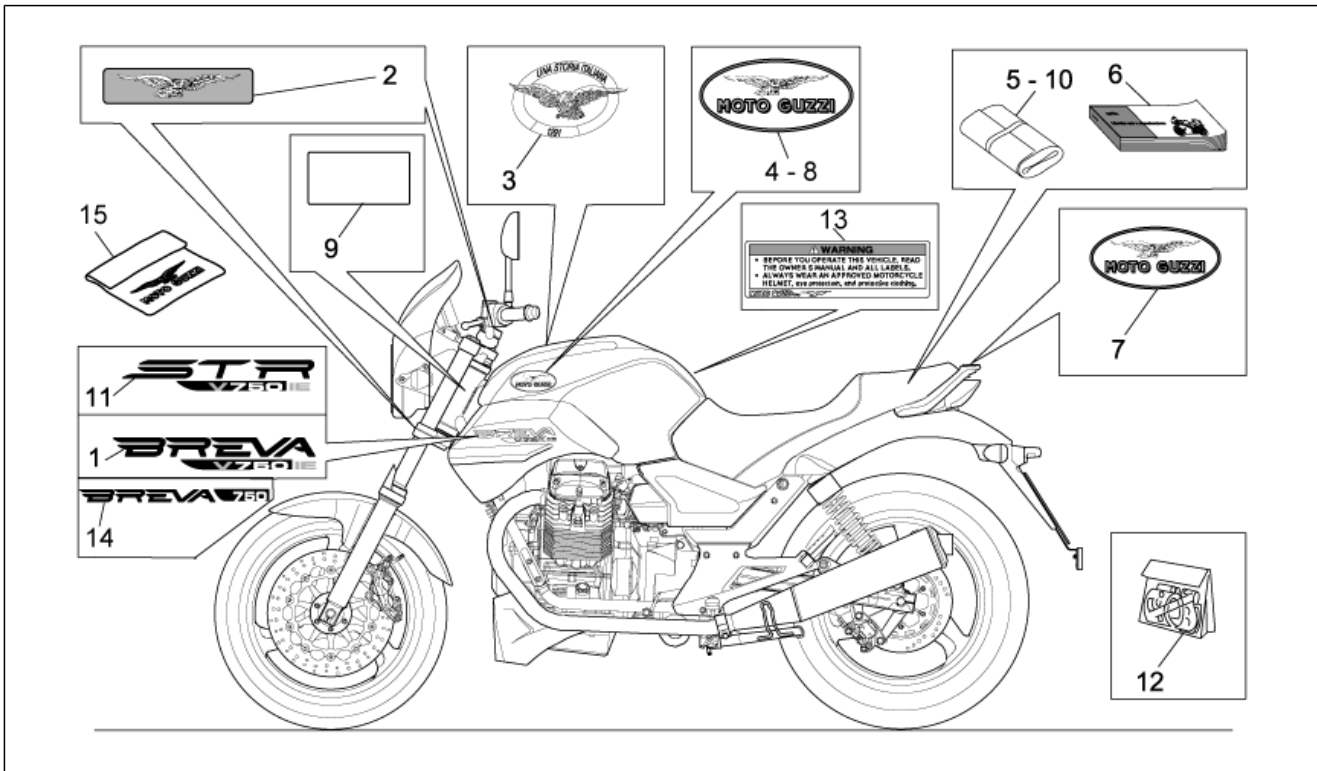
Group	FRAME
Code	33.49
Description	Lock hardware kit
Service	1



Pos.	Code	Description	Qty	Variants
1	GU32736810	Lock kit	1	
1	GU32736811	Lock kit	1	Country:United States of America[USA]
2	GU32782510	Main switch - steering lock	1	
3	GU32103910	Tank cap	1	
3	GU32103911	Tank cap	1	Country:United States of America[USA]
4	GU32466810	Saddle lock	1	
5	GU32735510	Non indent.key blank-shell go	1	
5	GU32735511	Non indent.key blank-shell cr	1	
6	AP8150349	Special screw M8x15	1	
7	AP8152288	Screw w/ flange	1	
8	GU32737210	Saddle lock	1	
9	AP8102913	Pass.saddle connecting plate	1	
10	GU32462110	Saddle release cable	1	
11	AP8121420	Fork spring	1	
12	AP8134618	Cable fixing plate	1	
13	GU98350325	Hex socket screw M6x22	2	
14	GU95008306	Washer 6,4x12x1,2	2	
15	AP8152299	Self-locking nut M6	2	



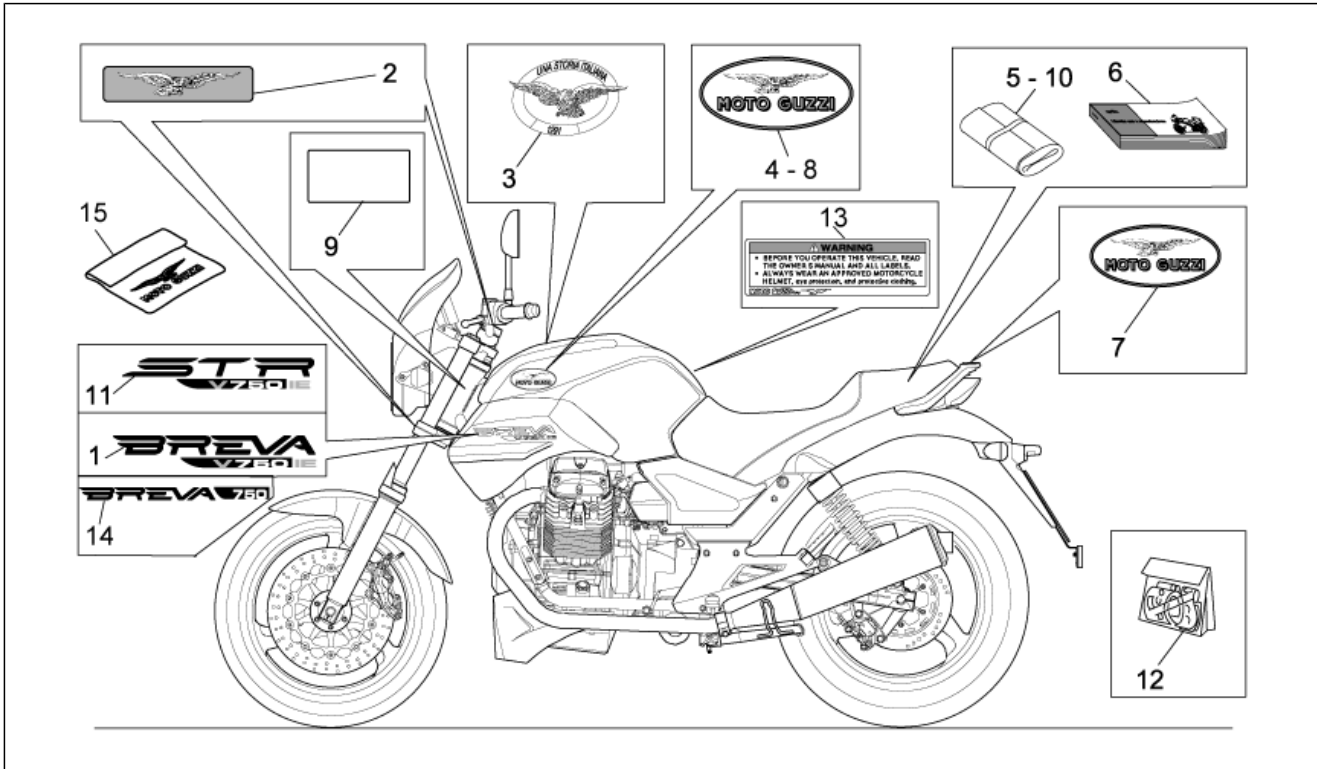
Group	FRAME
Code	33.50
Description	Decal and plate set
Service	1



Pos.	Code	Description	Qty	Variants
1	GU32926310	Decal "Brevia V 750 I.E."	2	Year:2005[5] Vehicle colour:Race Red 2005[r/re]
1	GU32926310	Decal "Brevia V 750 I.E."	2	Year:2003[3], 2004[4], 2005[5] Vehicle colour:Brevia Red 2003[b/re], Ollare Black 2003[o/bl]
1	GU32926311	Decal "Brevia V750 I.E"	1	Year:2003[3], 2004[4], 2005[5] Vehicle colour:Grigna Grey 2003[g/gr]
2	GU01517700	Decal "Aquila"	2	
3	GU03917570	Decal "Italian Story"	1	
4	GU06917400	LH Name plate,red/gold AL	1	Year:2007[7] Vehicle colour:Guzzi Black/Light Grey 2007[blg/lg], Race Red 2006[r/red]
4	GU06917400	LH Name plate,red/gold AL	1	Year:2006[6] Vehicle colour:Guzzi Black 2006[g/bl], Mica White 2006 ica White 2006[m/wh], Race Red 2006[r/red], Cyan 2006[s/bl]
4	GU32917410	LH Name plate,black/red AL	1	Year:2003[3], 2004[4], 2005[5] Vehicle colour:Brevia Red 2003[b/re]
4	GU32917411	LH Name plate,red/black AL	1	Year:2003[3], 2004[4], 2005[5] Vehicle colour:Ollare Black 2003[o/bl]
4	GU32917412	LH Name plate red/grey AL	1	Year:2003[3], 2004[4], 2005[5] Vehicle colour:Grigna Grey 2003[g/gr]
4	GU32917412	LH Name plate red/grey AL	1	Year:2005[5] Vehicle colour:Municipal Police[pa], Pubblica Amministrazione Mauritius[pa.m], Race Red 2005[r/re]
5	GU32909910	Right toolkit	1	
6	977483	Operator's handbook	1	Year:2006[6], 2007[7] Country:Australia[AUS], Other country Europe[EU], Japan[J], Great Britain[UK]
6	977484	Operator's handbook	1	Year:2006[6], 2007[7] Country:United States of America[USA]
6	GU32900010	Operator's handbook	1	Year:2003[3], 2004[4], 2005[5] Country:Australia[AUS], Other country Europe[EU], Japan[J], Great Britain[UK]



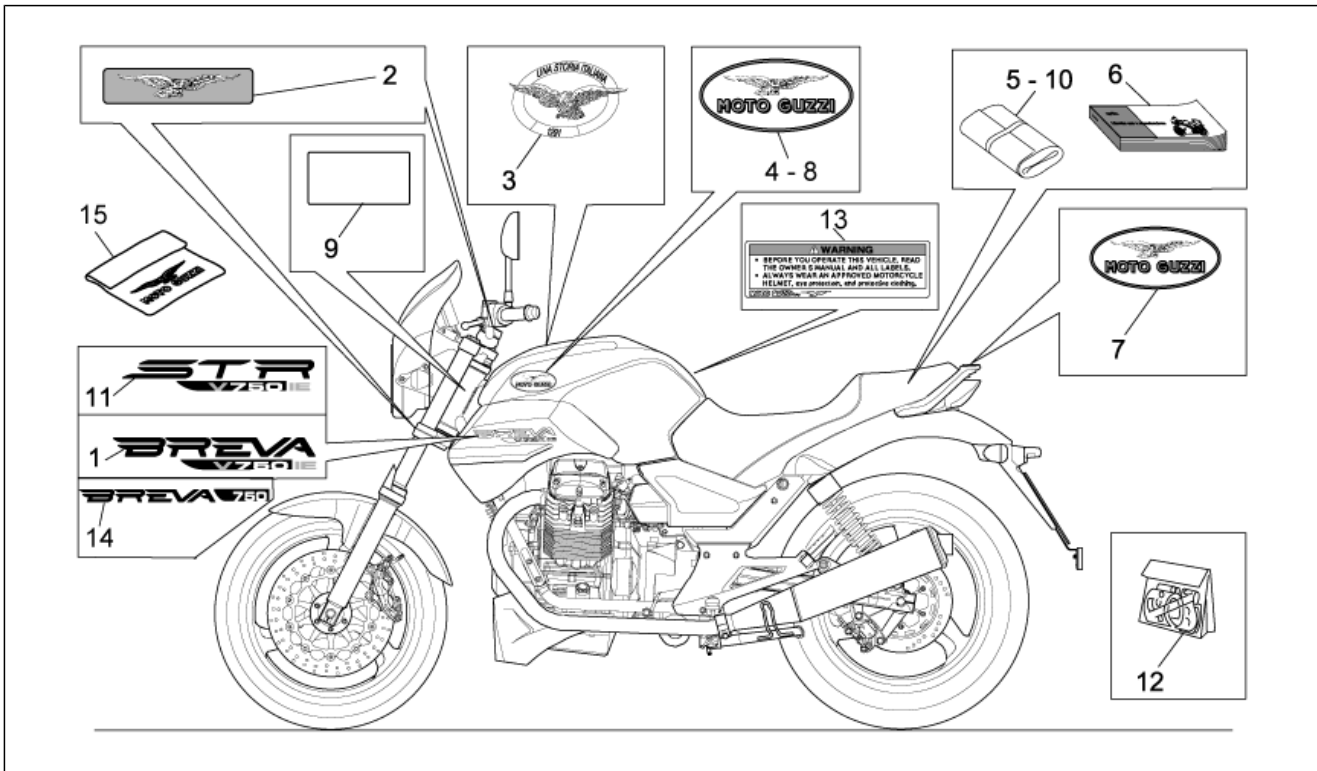
Group	FRAME
Code	33.50
Description	Decal and plate set
Service	1



Pos.	Code	Description	Qty	Variants
6	GU32900011	Operator's handbook	1	Year:2003[3], 2004[4], 2005[5] Country:Spain[E]
6	GU32900012	Operator's handbook	1	Year:2003[3], 2004[4], 2005[5] Country:United States of America[USA]
7	977303	"Moto Guzzi" dataplate	1	Year:2006[6] Vehicle colour:Guzzi Black 2006[g/bl], Mica White 2006 ica White 2006[m/wh], Race Red 2006[r/red], Cyan 2006[s/bl]
7	977303	"Moto Guzzi" dataplate	1	Year:2007[7] Vehicle colour:Guzzi Black/Light Grey 2007[blg/lg], Race Red 2006[r/red]
7	GU32769510	Name plate "Moto Guzzi"	1	Year:2003[3], 2004[4], 2005[5] Vehicle colour:Brevia Red 2003[b/re], Grigna Grey 2003[g/gr], Ollare Black 2003[o/bl], Race Red 2005[r/re]
8	GU06917300	RH Name plate,red/gold AL	1	Year:2006[6] Vehicle colour:Guzzi Black 2006[g/bl], Mica White 2006 ica White 2006[m/wh], Race Red 2006[r/red], Cyan 2006[s/bl]
8	GU06917300	RH Name plate,red/gold AL	1	Year:2007[7] Vehicle colour:Guzzi Black/Light Grey 2007[blg/lg], Race Red 2006[r/red]
8	GU32917310	RH Name plate,black/red AL	1	Year:2003[3], 2004[4], 2005[5] Vehicle colour:Brevia Red 2003[b/re]
8	GU32917311	RH Name plate,red/black AL	1	Year:2003[3], 2004[4], 2005[5] Vehicle colour:Ollare Black 2003[o/bl]
8	GU32917312	RH Name plate red/grey AL	1	Year:2003[3], 2004[4], 2005[5] Vehicle colour:Grigna Grey 2003[g/gr]
8	GU32917312	RH Name plate red/grey AL	1	Year:2005[5] Vehicle colour:Municipal Police[pa], Pubblica Amministrazione Mauritius[pa.m], Race Red 2005[r/re]
9	GU32944310	Guard decal	1	
10	GU32909911	Left toolkit	1	
11	GU32926312	Decal STR V750 I.E.	2	Vehicle colour:Brevia Red 2003[b/re], Ollare Black 2003[o/bl] Country:Spain[E]

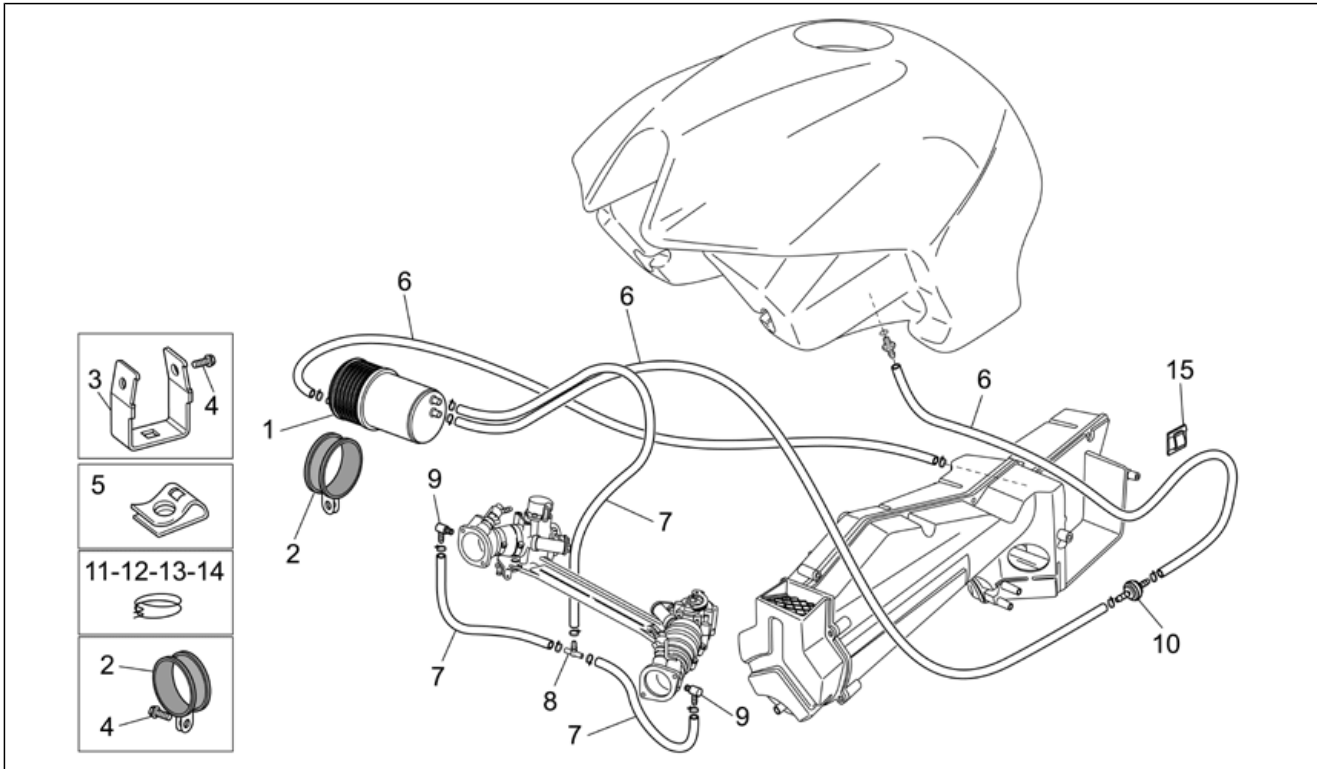


Group	FRAME
Code	33.50
Description	Decal and plate set
Service	1



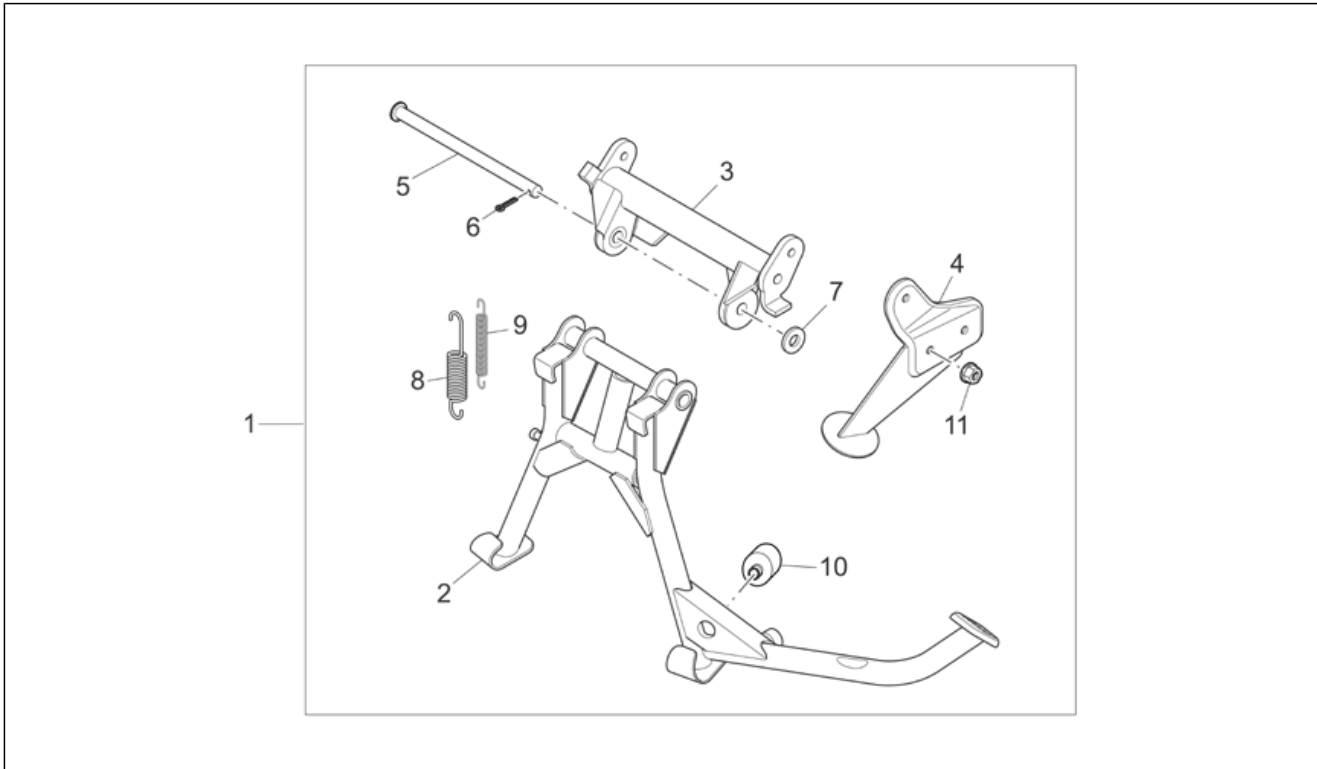
Pos.	Code	Description	Qty	Variants
11	GU32926313	Decal STR V750 I.E.	2	Vehicle colour:Grigna Grey 2003[g/gr] Country:Spain[E]
12	GU32923315	Decal set	1	Country:United States of America[USA]
13	GU30944300	Decal "Attention"	1	
14	977327	Decal "Brevia 750 "	2	Year:2007[7] Vehicle colour:Guzzi Black/Light Grey 2007[b]g/[l]g, Race Red 2006[r/red]
14	977327	Decal "Brevia 750 "	2	Year:2006[6] Vehicle colour:Guzzi Black 2006[g/bl], Mica White 2006 ica White 2006[m/wh], Race Red 2006[r/red], Cyan 2006[s/bl]
15	GU30970200	Bike cover	1	

Group	FRAME
Code	33.51
Description	Fuel vapour recover system
Service	1



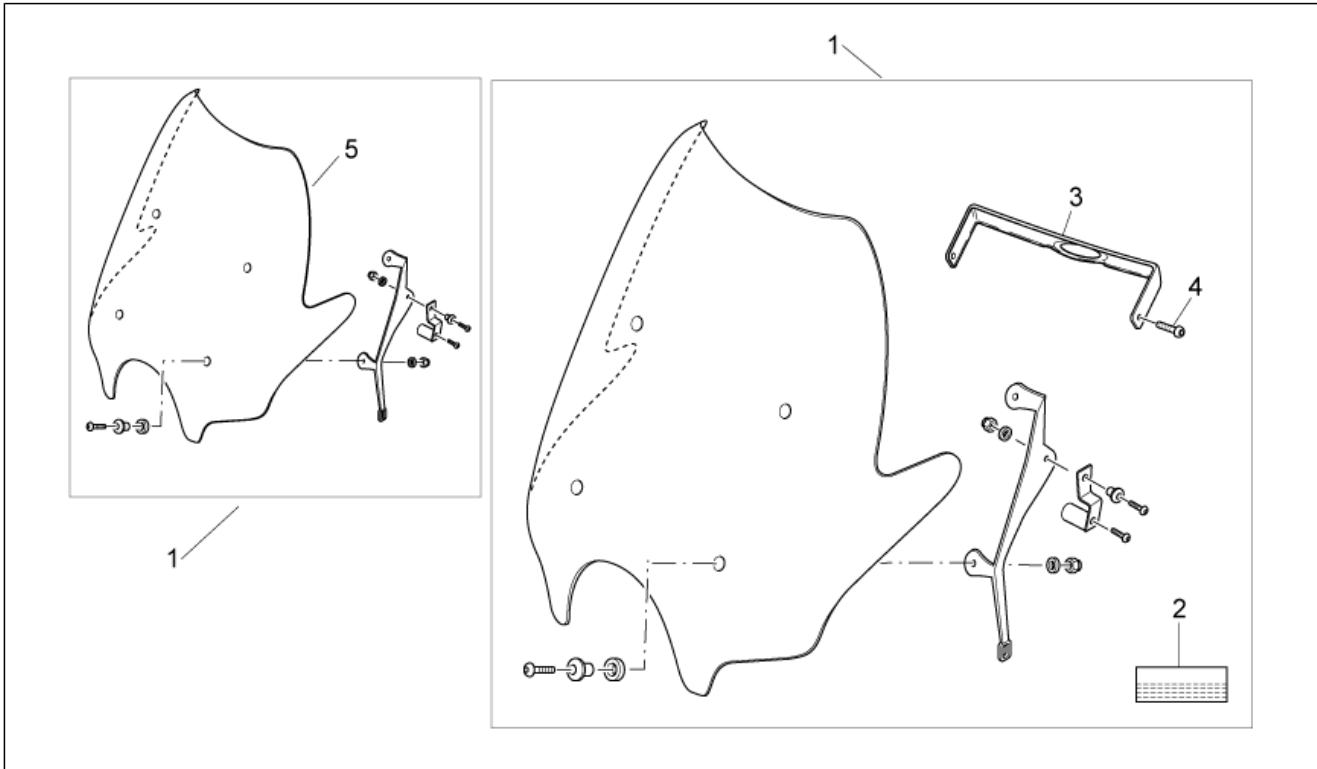
Pos.	Code	Description	Qty	Variants
1	AP8102678	Carbon filter	1	Country:United States of America[USA]
2	AP8102688	Hose clamp d.76	1	Country:United States of America[USA]
3	GU32439210	Support plate	1	Country:United States of America[USA]
4	GU98210616	Screw w/ flange M6x16 inox	3	Country:United States of America[USA]
5	AP8102376	Clip M6	3	Country:United States of America[USA]
6	AP8120987	pipe 9x14	1	Country:United States of America[USA]
7	AP8120952	Fuel pipe 5,5x10	1	Country:United States of America[USA]
8	AP8120116	3-way union	1	Country:United States of America[USA]
9	GU32115210	Joint	2	Country:United States of America[USA]
10	GU01102520	Pressure valve	1	Country:United States of America[USA]
11	AP8102159	Hose clamp	1	Country:United States of America[USA]
12	AP8102239	Hose clamp 12,5x8	3	Country:United States of America[USA]
13	AP8102765	White hose clip D.13,5x6	1	Country:United States of America[USA]
14	AP8101595	Hose clamp D10,1	6	Country:United States of America[USA]
15	AP8120708	Cable-guide	1	Country:United States of America[USA]

Group	FRAME
Code	33.52
Description	Central stand
Service	1



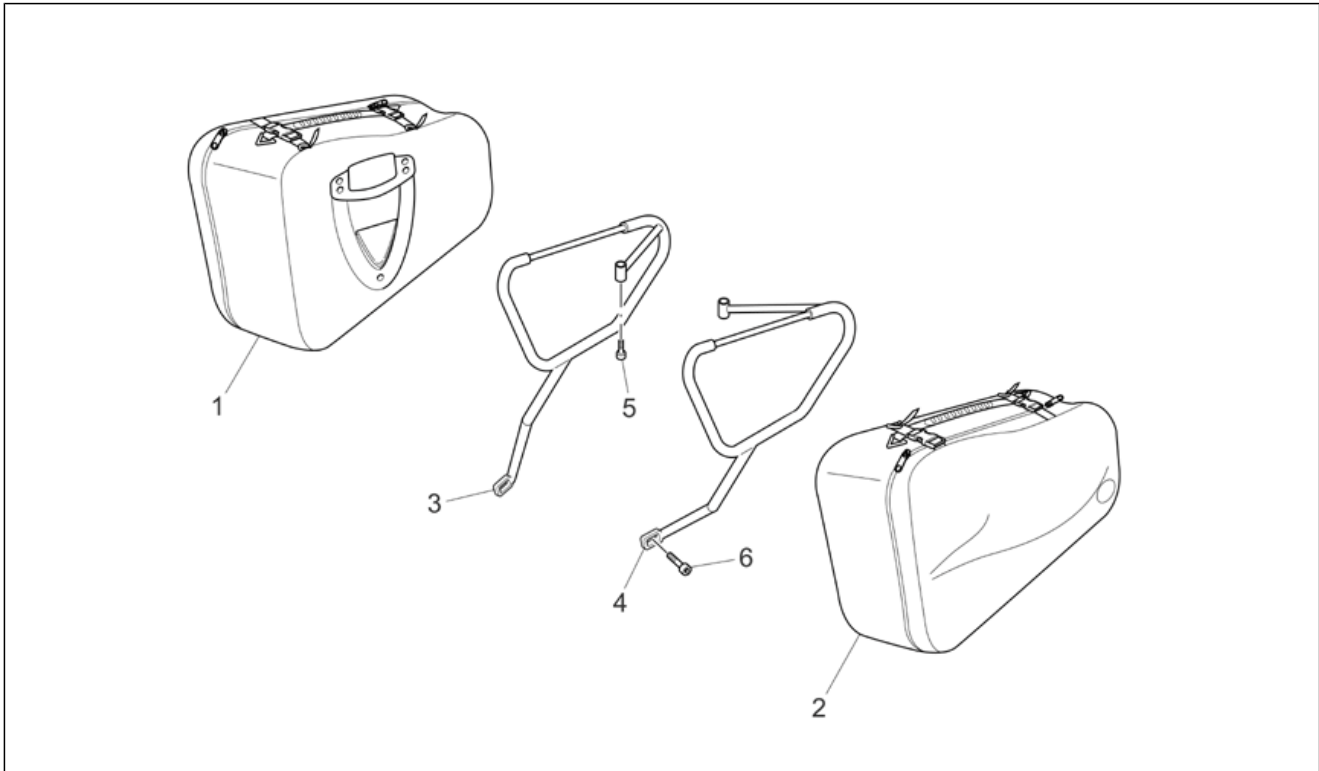
Pos.	Code	Description	Qty	Variants
1	GU973221100005	Kit Central stand	1	Vehicle colour: Municipal Police[pa], Pubblica Amministrazione Mauritius[pa.m] Technical Specifications: Touring Version[TOUR]
2	GU32430310	Central stand	1	Vehicle colour: Municipal Police[pa], Pubblica Amministrazione Mauritius[pa.m] Technical Specifications: Touring Version[TOUR]
3	GU32431311	Upper crosspiece	1	Vehicle colour: Municipal Police[pa], Pubblica Amministrazione Mauritius[pa.m] Technical Specifications: Touring Version[TOUR]
4	GU32129011	LH plate	1	Vehicle colour: Municipal Police[pa], Pubblica Amministrazione Mauritius[pa.m] Technical Specifications: Touring Version[TOUR]
5	GU32433111	Pin	1	Vehicle colour: Municipal Police[pa], Pubblica Amministrazione Mauritius[pa.m] Technical Specifications: Touring Version[TOUR]
6	GU95500228	Split pin	1	Vehicle colour: Municipal Police[pa], Pubblica Amministrazione Mauritius[pa.m] Technical Specifications: Touring Version[TOUR]
7	GU95008213	Washer 12,2X20X2	1	Vehicle colour: Municipal Police[pa], Pubblica Amministrazione Mauritius[pa.m] Technical Specifications: Touring Version[TOUR]
8	AP8221317	Lateral stand spring	1	Vehicle colour: Municipal Police[pa], Pubblica Amministrazione Mauritius[pa.m] Technical Specifications: Touring Version[TOUR]
9	AP8221318	Internal lateral stand spring	1	Vehicle colour: Municipal Police[pa], Pubblica Amministrazione Mauritius[pa.m] Technical Specifications: Touring Version[TOUR]
10	AP8144030	Stand end stop	1	Vehicle colour: Municipal Police[pa], Pubblica Amministrazione Mauritius[pa.m] Technical Specifications: Touring Version[TOUR]
11	GU92650138	Nut M8x1,25	2	Vehicle colour: Municipal Police[pa], Pubblica Amministrazione Mauritius[pa.m] Technical Specifications: Touring Version[TOUR]

Group	FRAME
Code	33.53
Description	Windscreen
Service	1



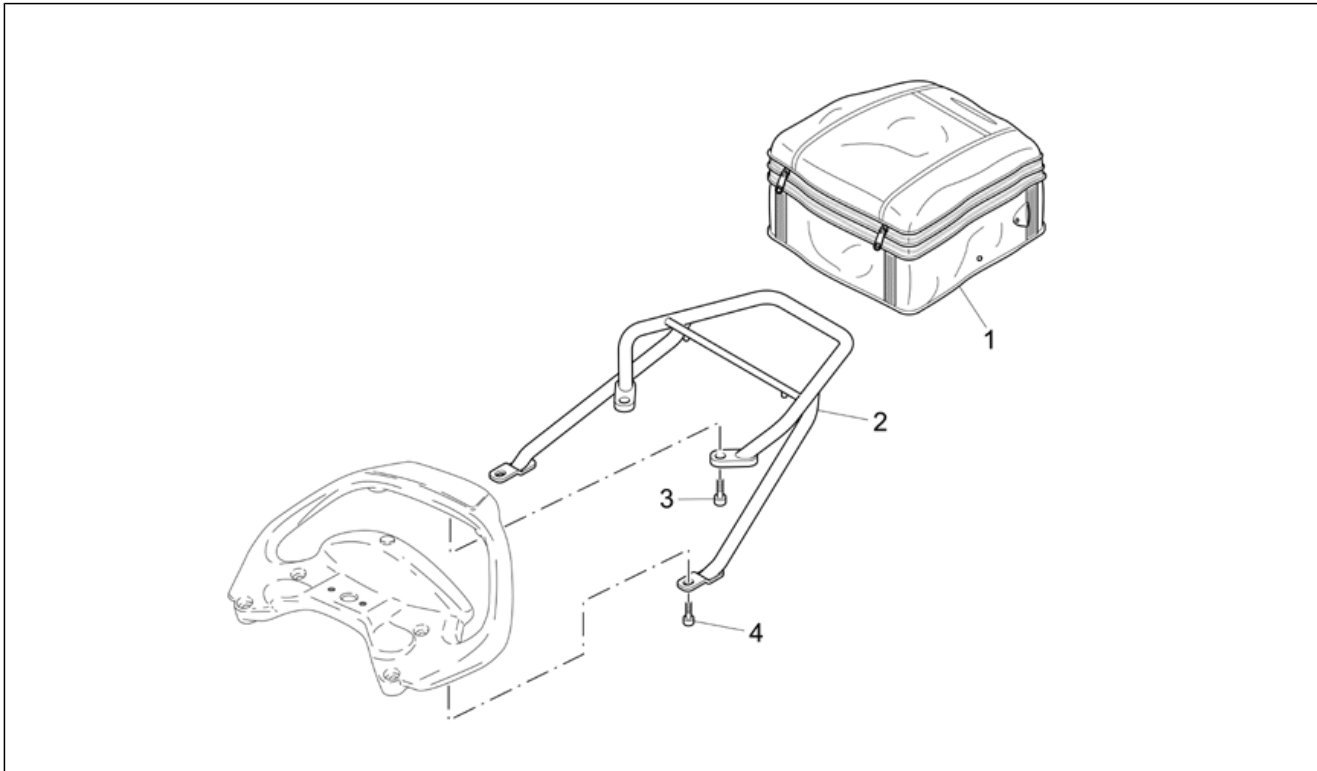
Pos.	Code	Description	Qty	Variants
1	977431	Kit Windscreen	1	Technical Specifications: Touring Version[TOUR]
1	GU32575180	Kit Windscreen	1	Vehicle colour: Municipal Police[pa], Pubblica Amministrazione Mauritius[pa.m]
2	GU03944326	Decal "Attention"	1	Technical Specifications: Touring Version[TOUR]
3	GU32766811	Cover	1	Technical Specifications: Touring Version[TOUR]
4	GU98370840	screw TBEI M8x40	2	Technical Specifications: Touring Version[TOUR]
5	884176	Windscreen	1	Vehicle colour: Pubblica Amministrazione Mauritius[pa.m]

Group	FRAME
Code	33.54
Description	Touring Side cases
Service	1



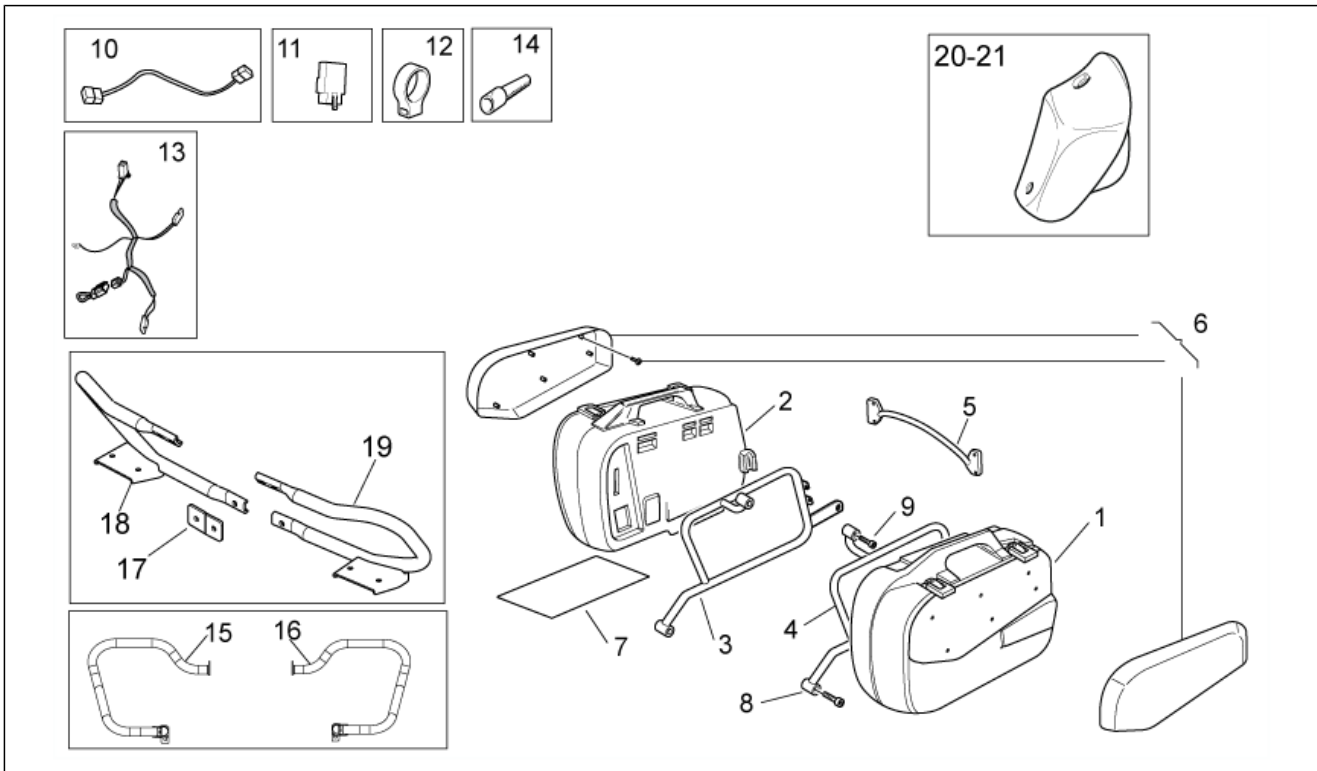
Pos.	Code	Description	Qty	Variants
1	977428	RH suitcase	1	Technical Specifications: Touring Version[TOUR]
2	977429	LH suitcase	1	Technical Specifications: Touring Version[TOUR]
3	977151	RH support	1	Technical Specifications: Touring Version[TOUR]
4	977152	LH support	1	Technical Specifications: Touring Version[TOUR]
5	GU98682430	Hex socket screw M8x30	2	Technical Specifications: Touring Version[TOUR]
6	GU98680445	Hex socket screw	2	Technical Specifications: Touring Version[TOUR]

Group	FRAME
Code	33.55
Description	Touring Top box
Service	1



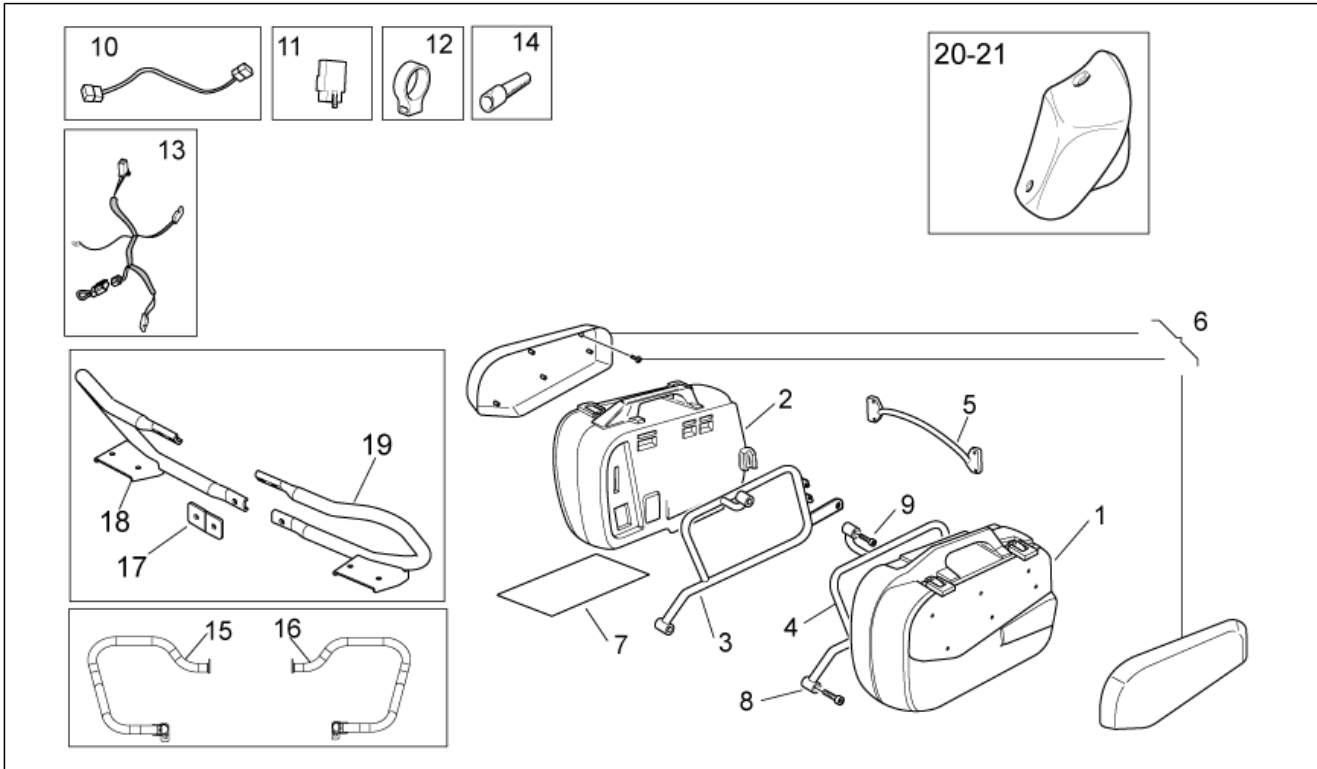
Pos.	Code	Description	Qty	Variants
1	977430	Top box	1	Technical Specifications: Touring Version[TOUR]
2	977396	Luggage rack	1	Technical Specifications: Touring Version[TOUR]
3	977488	Hex socket screw	2	Technical Specifications: Touring Version[TOUR]
4	GU98682430	Hex socket screw M8x30	2	Technical Specifications: Touring Version[TOUR]

Group	FRAME
Code	33.59
Description	components - PA
Service	1



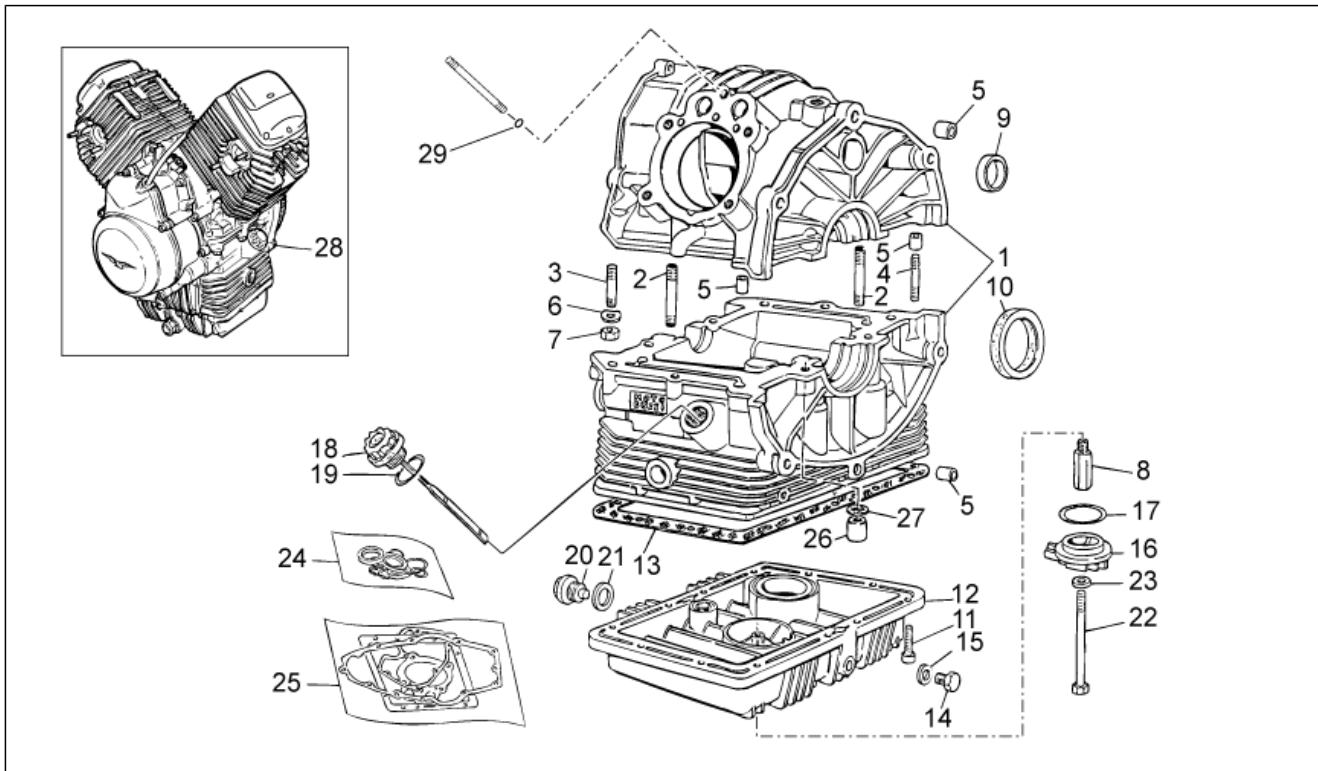
Pos.	Code	Description	Qty	Variants
1	GU03485771	LH suitcase 30 L	1	Vehicle colour:Municipal Police[pa], Pubblica Amministrazione Mauritius[pa.m]
2	GU03482571	RH suitcase 30 L	1	Vehicle colour:Municipal Police[pa], Pubblica Amministrazione Mauritius[pa.m]
3	GU32485080	RH bag support	1	Vehicle colour:Municipal Police[pa], Pubblica Amministrazione Mauritius[pa.m]
4	GU32486580	LH bag support	1	Vehicle colour:Municipal Police[pa], Pubblica Amministrazione Mauritius[pa.m]
5	GU32486810	Side case connect.crosspiece	1	Vehicle colour:Municipal Police[pa], Pubblica Amministrazione Mauritius[pa.m]
6	GU03484375	Inserts kit white	1	Vehicle colour:Municipal Police[pa], Pubblica Amministrazione Mauritius[pa.m]
7	GU32489310	Heat protection	1	Vehicle colour:Municipal Police[pa], Pubblica Amministrazione Mauritius[pa.m]
8	GU98680445	Hex socket screw	2	Vehicle colour:Municipal Police[pa], Pubblica Amministrazione Mauritius[pa.m]
9	GU98682430	Hex socket screw M8x30	1	Vehicle colour:Municipal Police[pa], Pubblica Amministrazione Mauritius[pa.m]
10	GU32750910	Turn indicators extension	2	Vehicle colour:Municipal Police[pa], Pubblica Amministrazione Mauritius[pa.m]
11	884115	Relay	1	Vehicle colour:Pubblica Amministrazione Mauritius[pa.m]
12	GU30787310	Block	1	Vehicle colour:Municipal Police[pa], Pubblica Amministrazione Mauritius[pa.m]
13	GU32742880	Auxiliary wiring harness	1	Vehicle colour:Municipal Police[pa], Pubblica Amministrazione Mauritius[pa.m]
14	GU28751944	Grommet	0	Vehicle colour:Municipal Police[pa], Pubblica Amministrazione Mauritius[pa.m]
15	884174	RH rear bumper	0	Vehicle colour:Pubblica Amministrazione Mauritius[pa.m]
16	884175	LH rear bumper	0	Vehicle colour:Pubblica Amministrazione Mauritius[pa.m]
17	GU17451750	Plate	0	Vehicle colour:Pubblica Amministrazione Mauritius[pa.m]
18	884172	RH front bumper	0	Vehicle colour:Pubblica Amministrazione Mauritius[pa.m]

Group	FRAME
Code	33.59
Description	components - PA
Service	1



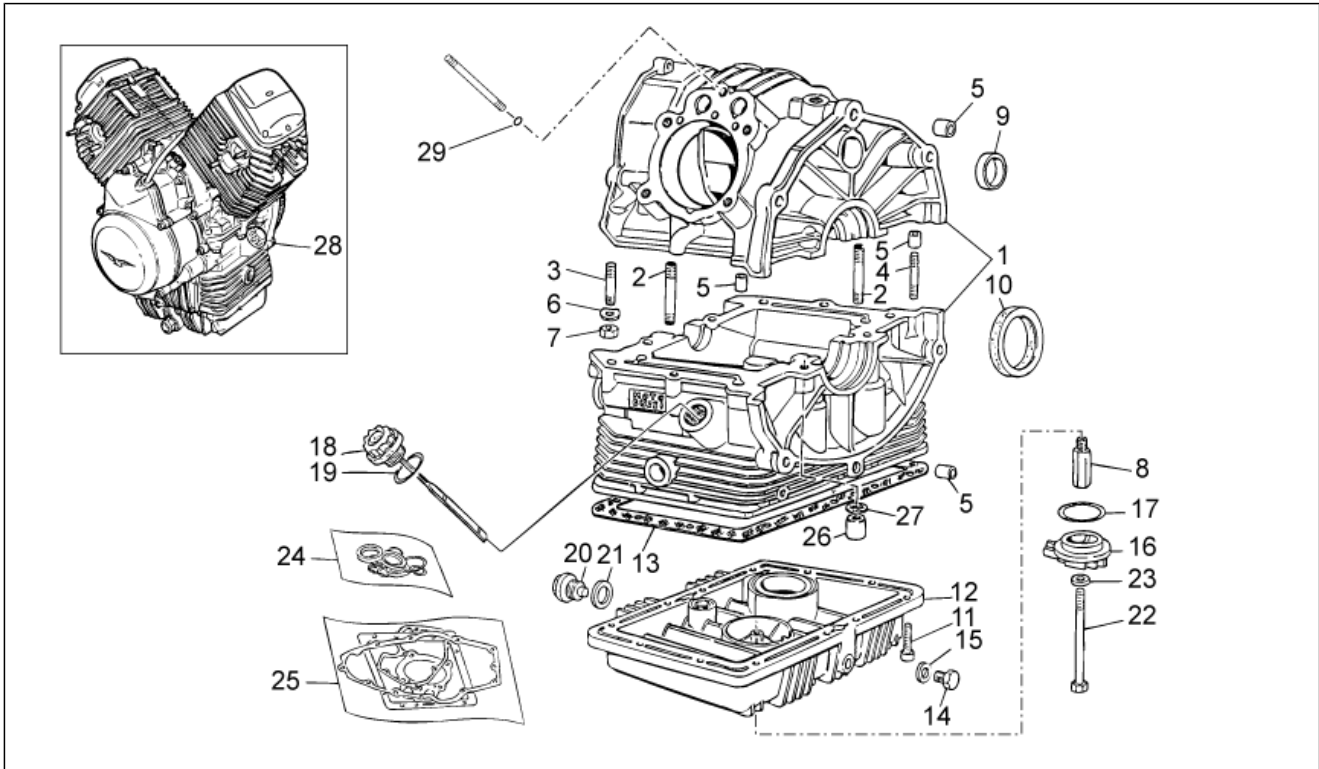
Pos.	Code	Description	Qty	Variants
19	884173	LH front bumper	0	Vehicle colour:Pubblica Amministrazione Mauritius[pa.m]
20	GU32586682	carena sirena dx	0	Vehicle colour:Pubblica Amministrazione Mauritius[pa.m]
21	GU32586782	carena sirena sx	0	Vehicle colour:Pubblica Amministrazione Mauritius[pa.m]

Group	ENGINE
Code	34.01
Description	Crank-case
Service	1



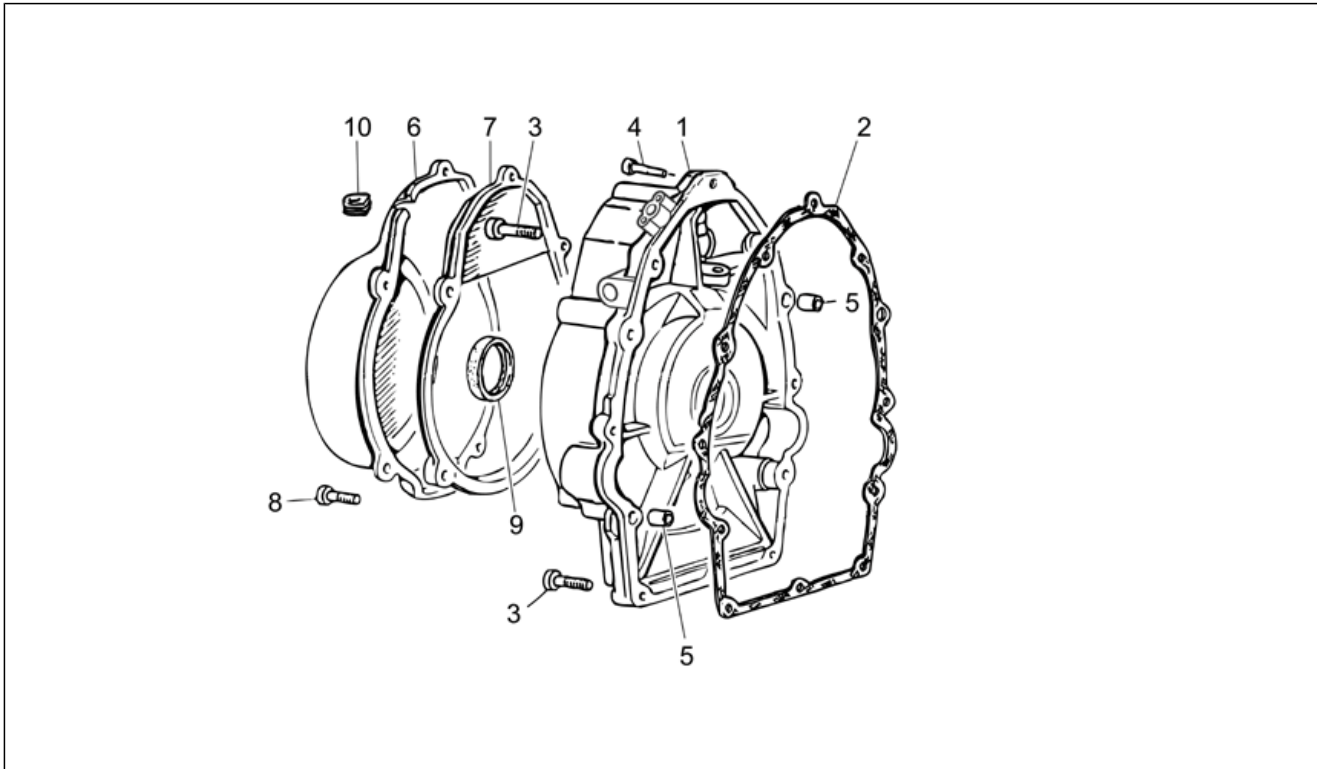
Pos.	Code	Description	Qty	Variants
1	976600	Crankcase black	1	Year:2009[9]
1	GU32000310	Coupled crankcase grey	1	Year:2003[3], 2004[4], 2005[5], 2006[6], 2007[7]
2	GU96451560	Stud bolt	4	
3	GU96451430	Stud bolt	4	
4	GU96508055	Stud bolt	2	
5	GU19015020	Bushing	4	
6	GU61270300	Spring washer 8x15x0,3	6	
7	GU92606208	Nut M8x1,25	6	
8	GU19003800	Joint	1	
9	GU19016320	Cover	1	
10	GU04000500	Gasket ring	1	
11	GU98682325	Hex socket screw M6x25	12	
12	976604	Oil sump black	1	Year:2009[9]
12	GU20003510	Oil sump grey	1	Year:2003[3], 2004[4], 2005[5], 2006[6], 2007[7]
13	GU19003602	Gasket	1	
14	GU31003766	Oil unload plug M10x1	1	
15	GU01528930	Gasket 10x18x1,5	1	
16	976685	Plug	1	Year:2009[9]
16	GU20003410	Cover, grey	1	Year:2003[3], 2004[4], 2005[5], 2006[6], 2007[7]
17	GU90706444	O-ring	1	
18	GU27004985	Oil load plug	1	
19	GU90706281	O-ring 28,24x2,62	1	
20	GU12003702	Oil unload plug	1	
21	GU95100709	Gasket 20,1x28x2	1	
22	GU27152885	Bolt	1	
23	GU12154200	Gasket 8,25x15x1	1	
24	GU32999510	Oil seals - set	1	
25	GU32999010	Gasket set	1	

Group	ENGINE
Code	34.01
Description	Crank-case
Service	1



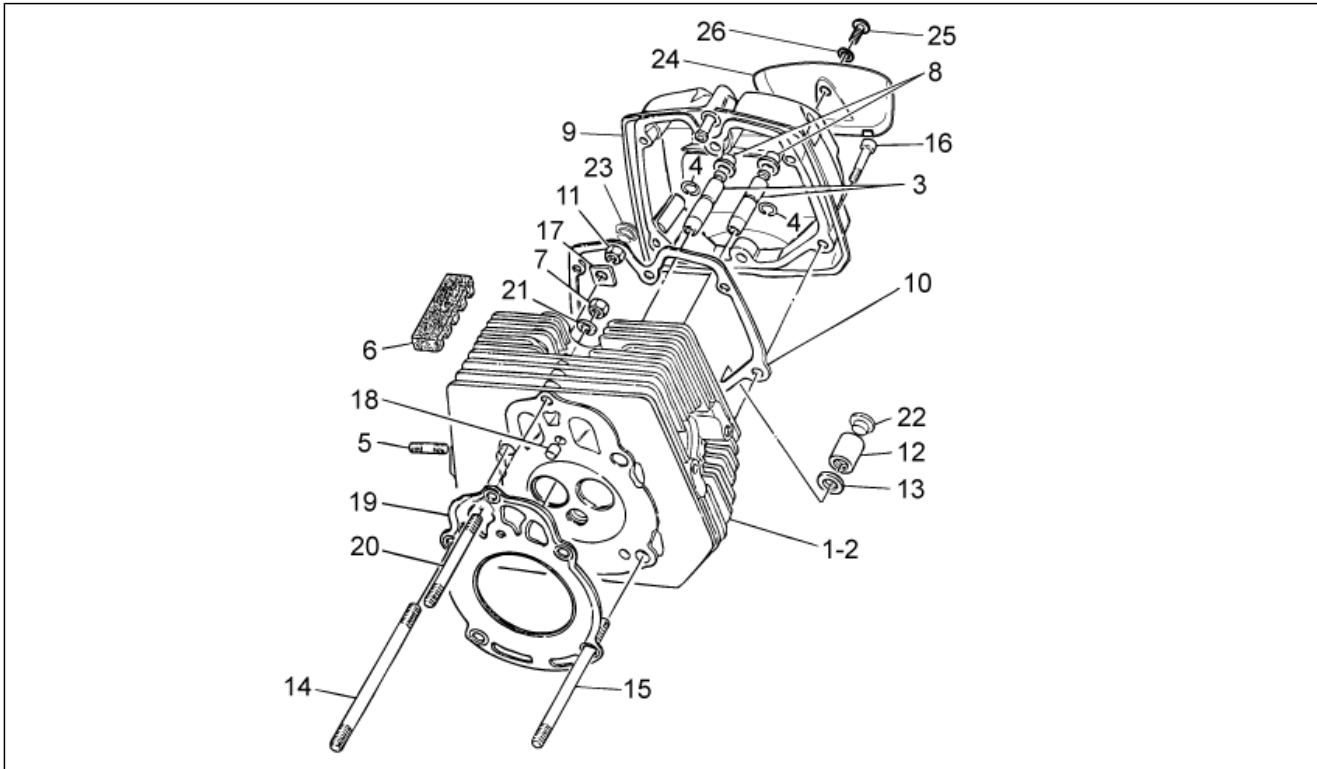
Pos.	Code	Description	Qty	Variants
26	GU13021900	Column nut	4	
27	GU95129180	Washer 10,5X18X0,8	4	
28	976939	Engine assy w/hout transm.	1	Year:2009[9]
28	GU32991010	Engine assy w/hout transm.	1	Year:2003[3], 2004[4], 2005[5], 2006[6], 2007[7]
29	GU90706076	O-ring	2	

Group	ENGINE
Code	34.02
Description	Timing system cover
Service	1



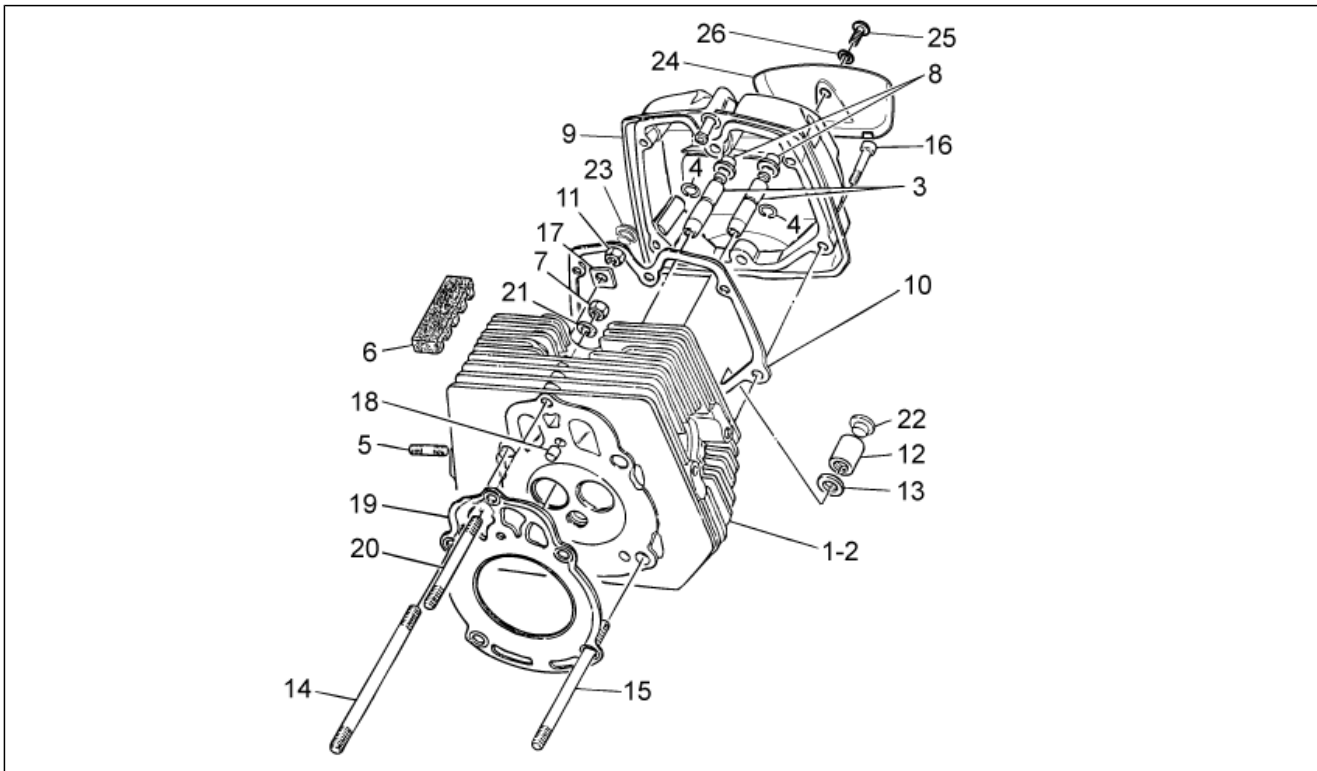
Pos.	Code	Description	Qty	Variants
1	976603	Timing cover black	1	Year:2009[9]
1	GU32001410	Cover grey	1	Year:2003[3], 2004[4], 2005[5], 2006[6], 2007[7]
2	GU19001200	Gasket	1	
3	GU98682325	Hex socket screw M6x25	10	
4	GU98682330	Hex socket screw M6x20	2	
5	GU19002020	Bushing 6,6x9x13	2	
6	GU32001610	Cover	1	
7	GU27001136	Flange	1	
8	GU98680335	Hex socket screw M6x35	5	
9	GU90402842	Gasket ring	1	
10	GU19007700	Rubber spacer	1	

Group	ENGINE
Code	34.03
Description	Cylinder head
Service	1



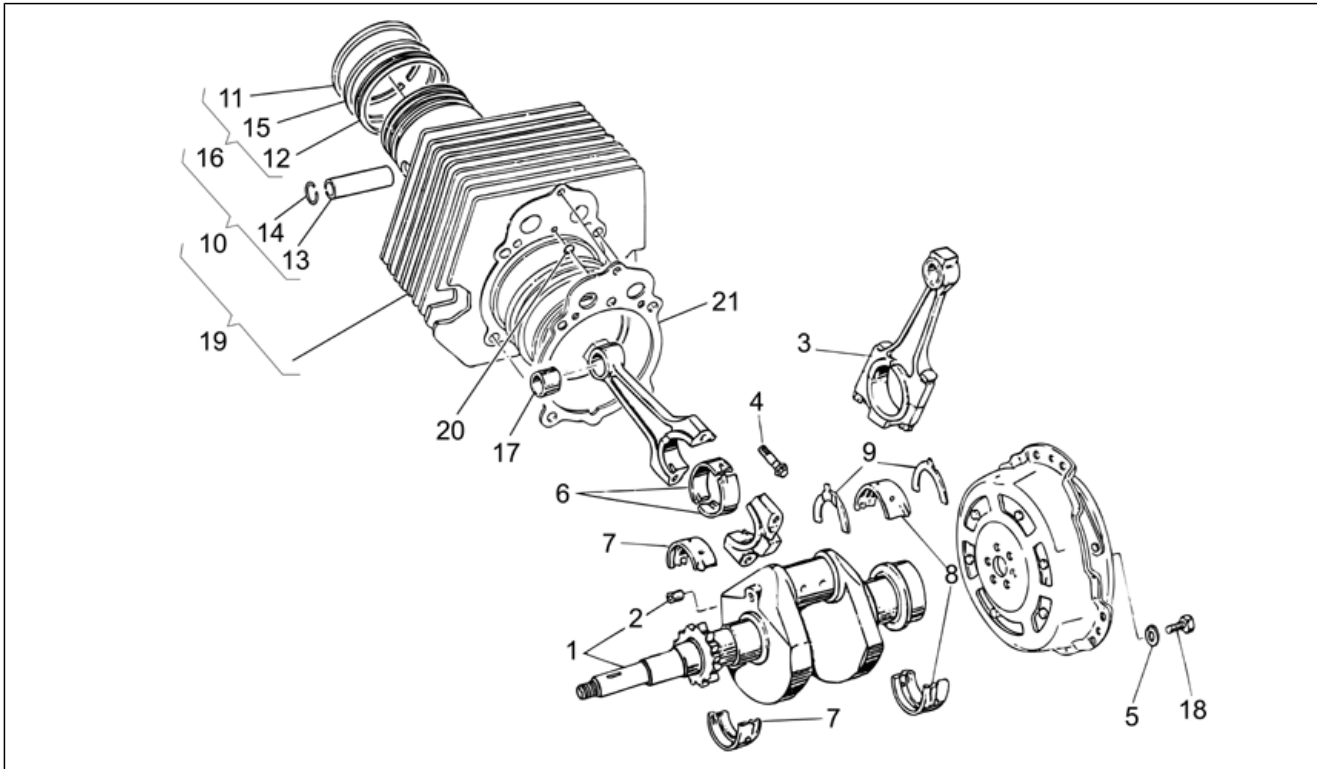
Pos.	Code	Description	Qty	Variants
1	GU32022110	RH cylinder head grey	1	
2	GU32022210	LH cylinder head grey	1	
3	GU61036801	Valve guide	4	
4	GU90353009	Snap ring	4	
5	GU96506042	Stud bolt	4	
6	GU19025300	Anti-vibration plate	4	
7	GU19021920	Nut	2	
8	GU19037820	Oil seal	4	
9	GU32023610	Head cover	2	Year:2003[3], 2004[4], 2005[5] Vehicle colour:Brevia Red 2003[b/re], Grigna Grey 2003[g/gr], Ollare Black 2003[o/bl], Race Red 2005[r/re]
9	GU32023660	Head cover	2	Year:2006[6] Vehicle colour:Guzzi Black 2006[g/bl], Mica White 2006 ica White 2006[m/wh], Race Red 2006[r/red], Cyan 2006[s/bl]
9	GU32023660	Head cover	2	Year:2007[7] Vehicle colour:Guzzi Black/Light Grey 2007[blg/lg], Race Red 2006[r/red]
10	GU19023700	Gasket	2	
11	GU92603010	Nut M10X1,5	4	
12	GU13021900	Column nut	4	
13	GU95129180	Washer 10,5X18X0,8	4	
14	GU96510214	Stud bolt M10x214	4	
15	GU96510181	Stud bolt M10x182	4	
16	GU98692325	Hex socket screw M6x25	10	
17	GU19032980	Spacer	4	
18	GU19021360	Bushing	2	
19	GU27022060	Gasket	2	
20	GU96508145	Stud bolt M8x143	2	
21	GU61270300	Spring washer 8x15x0,3	2	

Group	ENGINE
Code	34.03
Description	Cylinder head
Service	1



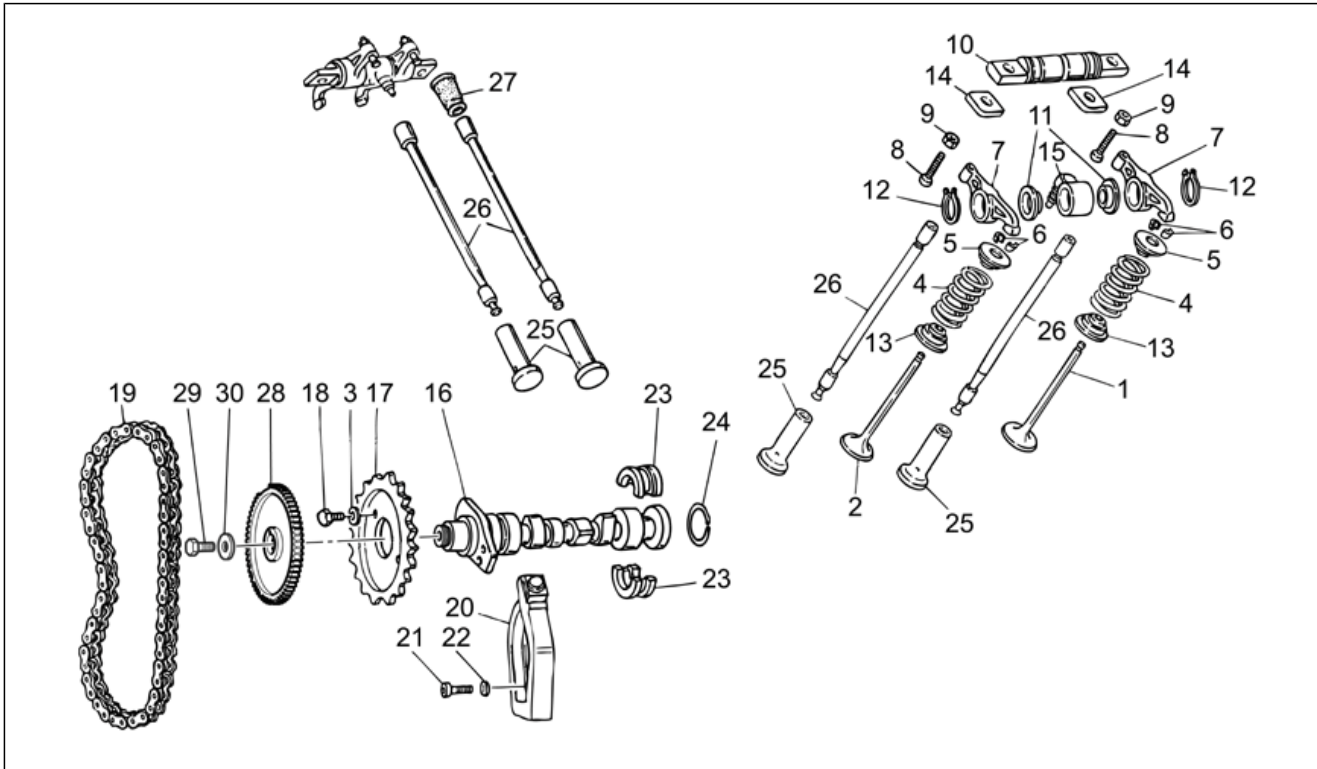
Pos.	Code	Description	Qty	Variants
22	GU93180245	Cover	4	
23	AP8144071	Rubber exhaust	1	Technical Specifications: First series[1A]
24	GU32023410	Head cover	2	
25	AP8152339	Screw w/ flange M5x9	2	
26	GU14615901	Washer 8,4X13X0,8	2	

Group	ENGINE
Code	34.04
Description	Crankshaft cpl.
Service	1



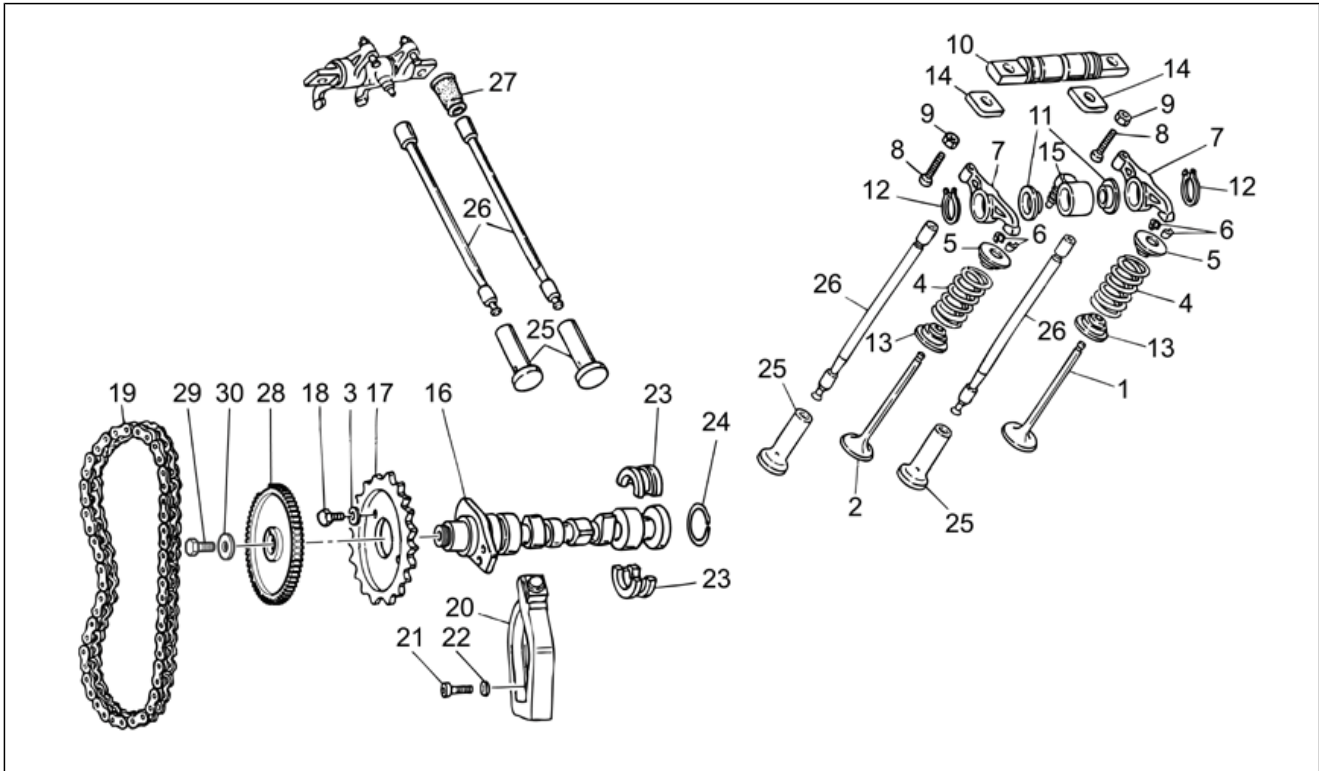
Pos.	Code	Description	Qty	Variants
1	GU32064110	Crankshaft cpl.	1	
2	GU19065400	Cover	1	
3	GU27061585	Connecting rod cpl.	2	
4	GU19062261	screw	4	
5	GU14615901	Washer 8,4X13X0,8	6	
6	GU27062060	Bearing half-shell	4	
7	GU27065660	Front main half-bearing	2	
8	GU27066560	Rear main half-bearing	2	
9	GU27066460	Half-clamp	2	
10	GU32060210	Piston assy	2	
11	GU32060710	Slot piston ring	2	
12	GU19061063	Scraper ring	2	
13	GU27061286	Piston pin	2	
14	GU27061385	Stop ring	4	
15	GU27060860	Slot piston ring	2	
16	GU32060610	Pistonring set	2	
17	GU27061885	Bushing	2	
18	GU19067700	screw	6	
19	GU32060110	Cylinder with piston, grey	2	
20	GU61027200	O-ring	2	
21	GU27020820	Gasket	2	

Group	ENGINE
Code	34.05
Description	Timing system
Service	1



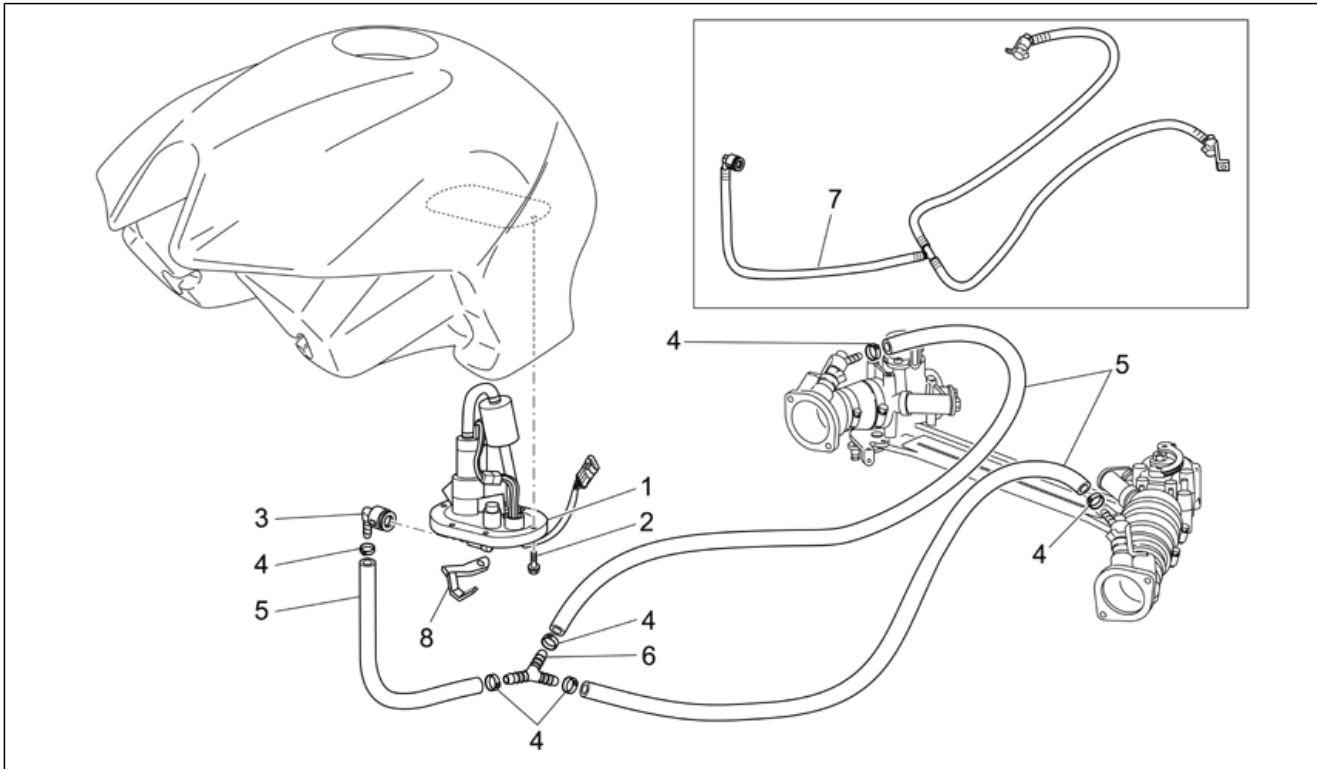
Pos.	Code	Description	Qty	Variants
1	GU20036020	Intake valve	2	
2	GU20036120	Exhaust valve	2	
3	GU23217800	Safety washer	2	
4	GU27037521	Spring	4	
5	GU31038015	Upper cup	4	
6	GU61038100	Half-cone	8	
7	GU19030500	Rocker arm assy.	4	
8	GU19034000	screw	4	
9	GU92602406	Nut M6x1	4	
10	GU19032080	Rocker shaft	2	
11	GU32032310	Thrust washer	4	
12	GU90271018	Circlip	4	
13	GU31037015	Lower cup	4	
14	GU19032980	Spacer	4	
15	GU19027500	Hose	2	
16	GU32053410	Camshaft	1	
17	GU32054510	Timing system gear	1	
18	GU61054900	Bolt	2	
19	GU19058021	Camshaft chain	1	
20	GU19058220	Chain stretching drive	1	
21	GU98882316	screw	1	
22	GU95129115	Washer	1	
23	GU19055700	Sector	2	
24	GU90353029	Snap ring	1	
25	GU19045861	Tappet	4	
26	GU31045015	Rocker arm rod	4	
27	GU27045420	Cap	4	
28	GU32051710	Wheel speed sensor, left front	1	

Group	ENGINE
Code	34.05
Description	Timing system
Service	1



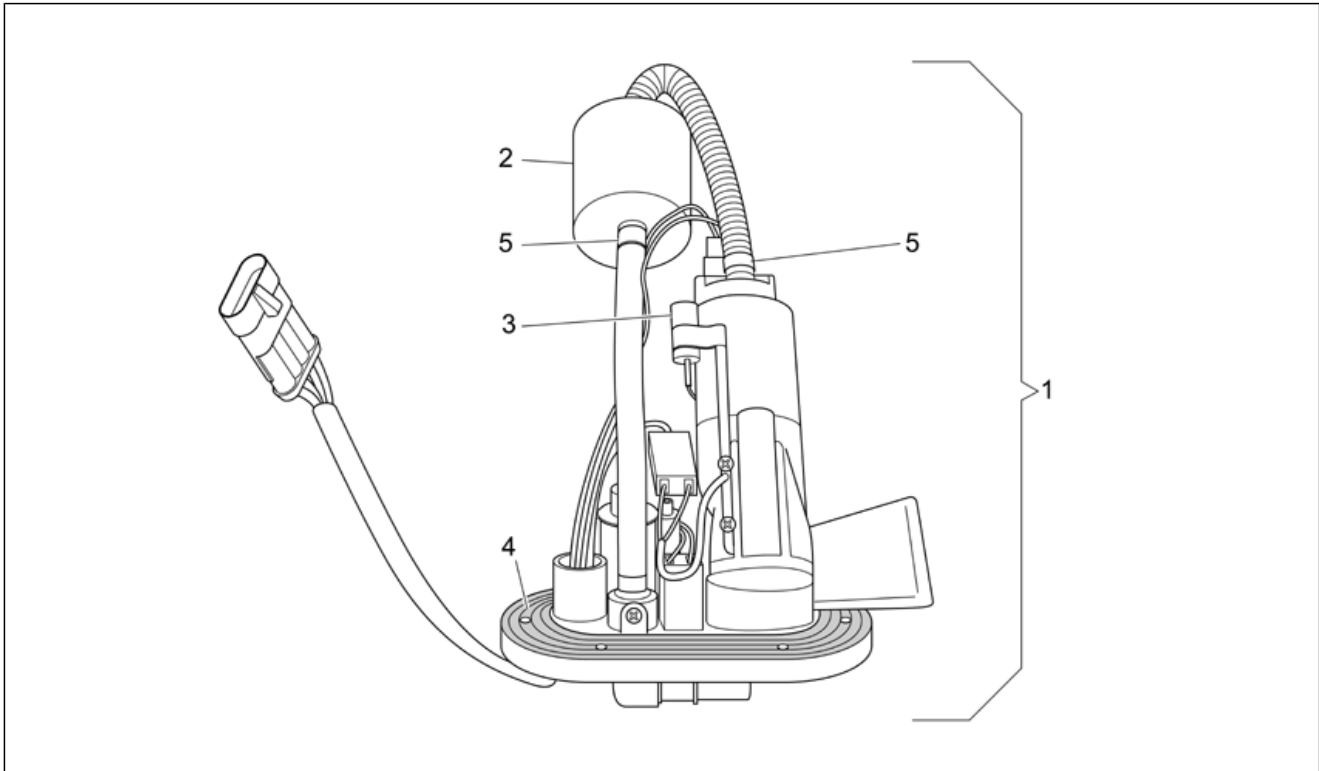
Pos.	Code	Description	Qty	Variants
29	GU98054422	screw M8x22	1	
30	GU95100244	Washer	1	

Group	ENGINE
Code	34.06
Description	Fuel supply
Service	1



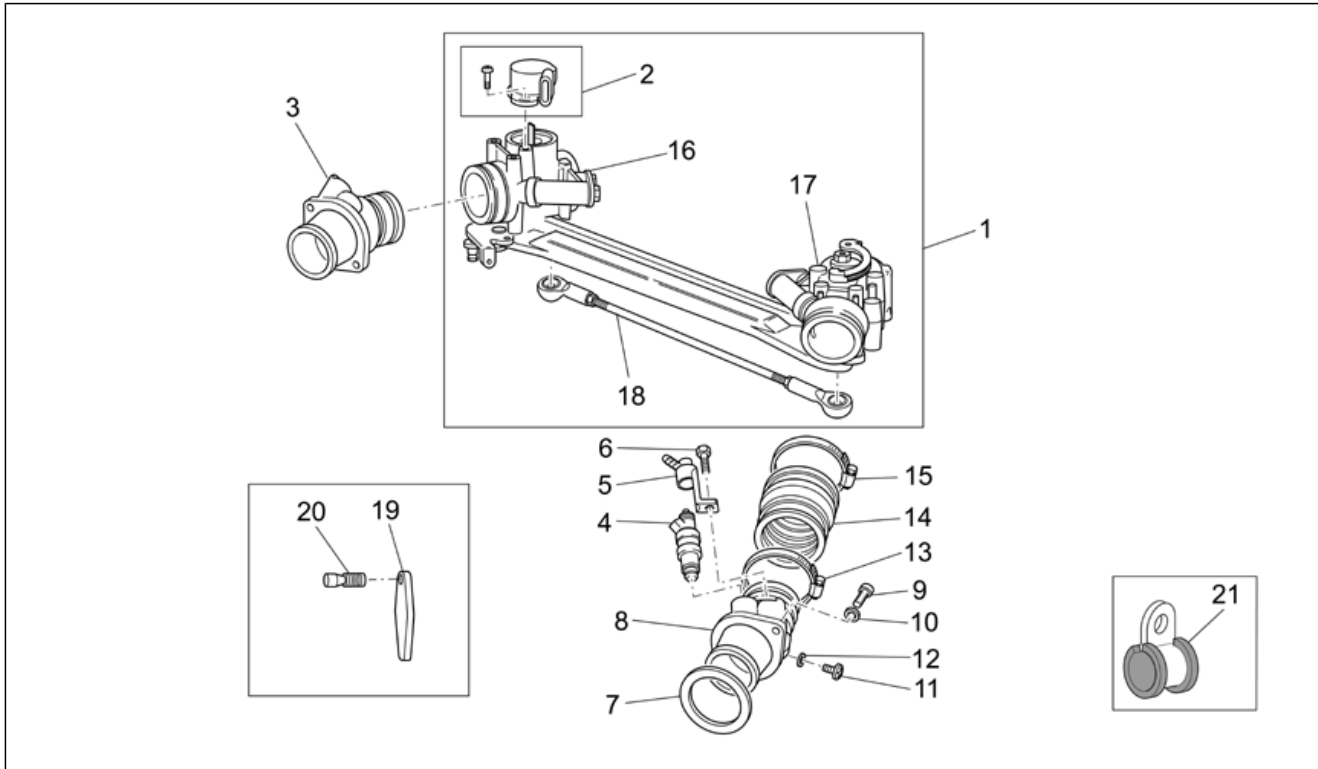
Pos.	Code	Description	Qty	Variants
1	GU32107210	Fuel pump	1	
2	AP8152273	Screw w/ flange M5x16	6	
3	GU32106610	Joint	1	Year:2003[3], 2004[4], 2005[5] Technical Specifications:To frame n. LL 115274[T3]
4	AP8102765	White hose clip D.13,5x6	6	Year:2003[3], 2004[4], 2005[5] Technical Specifications:To frame n. LL 115274[T3]
5	AP8144069	Fuel pipe 6x13	3	Year:2003[3], 2004[4], 2005[5] Technical Specifications:To frame n. LL 115274[T3]
6	AP8120116	3-way union	1	Year:2003[3], 2004[4], 2005[5] Technical Specifications:To frame n. LL 115274[T3]
7	GU32106510	Fuel pipe, cpl.	1	Year:2003[3], 2004[4], 2005[5] Technical Specifications:From frame n. LL 115275[T4]
7	GU32106510	Fuel pipe, cpl.	1	Year:2006[6], 2007[7]
8	GU32118610	Plate	1	Year:2006[6], 2007[7]

Group	ENGINE
Code	34.07
Description	Fuel pump
Service	1



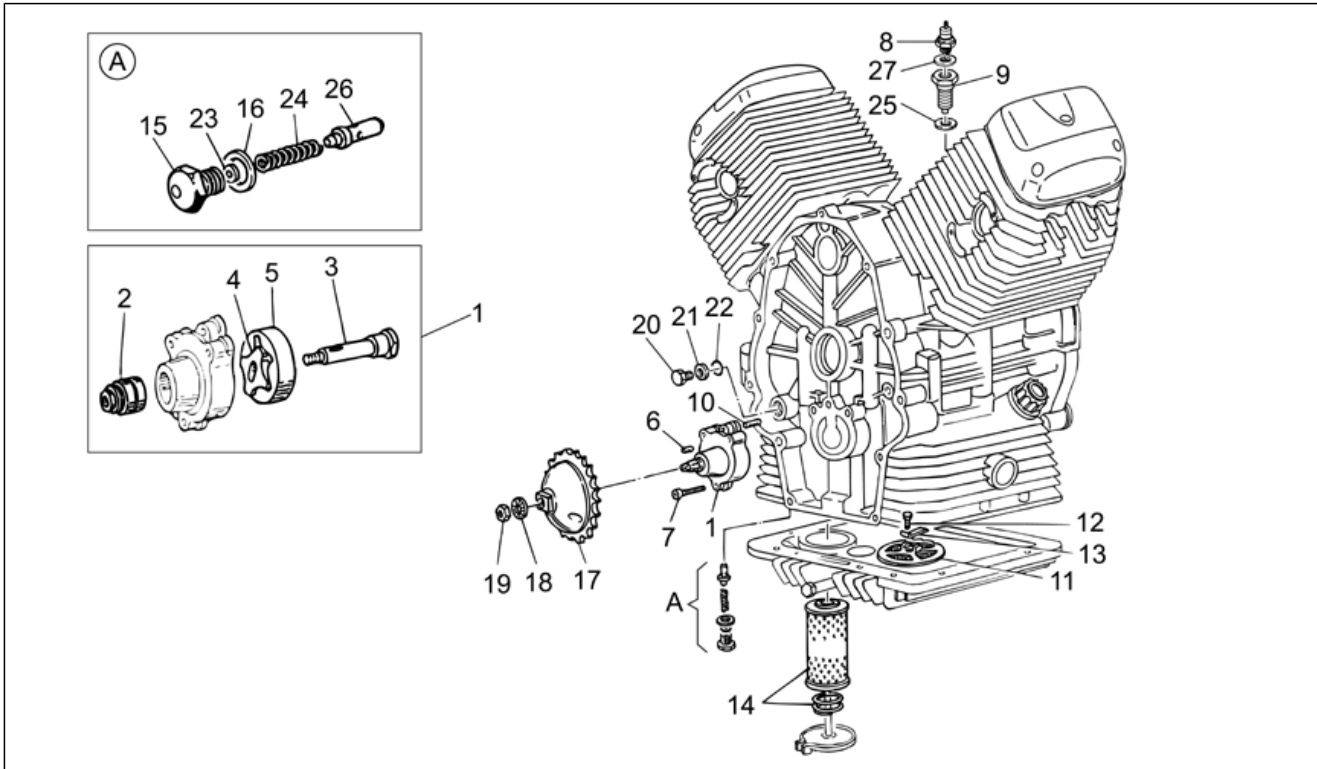
Pos.	Code	Description	Qty	Variants
1	GU32107210	Fuel pump	1	
2	GU01106090	Fuel filter	1	
3	GU01103090	Thermistor	1	
4	GU01107490	Gasket	1	
5	GU01108490	Hose clamp 11,3	4	

Group	ENGINE
Code	34.08
Description	Throttle body
Service	1



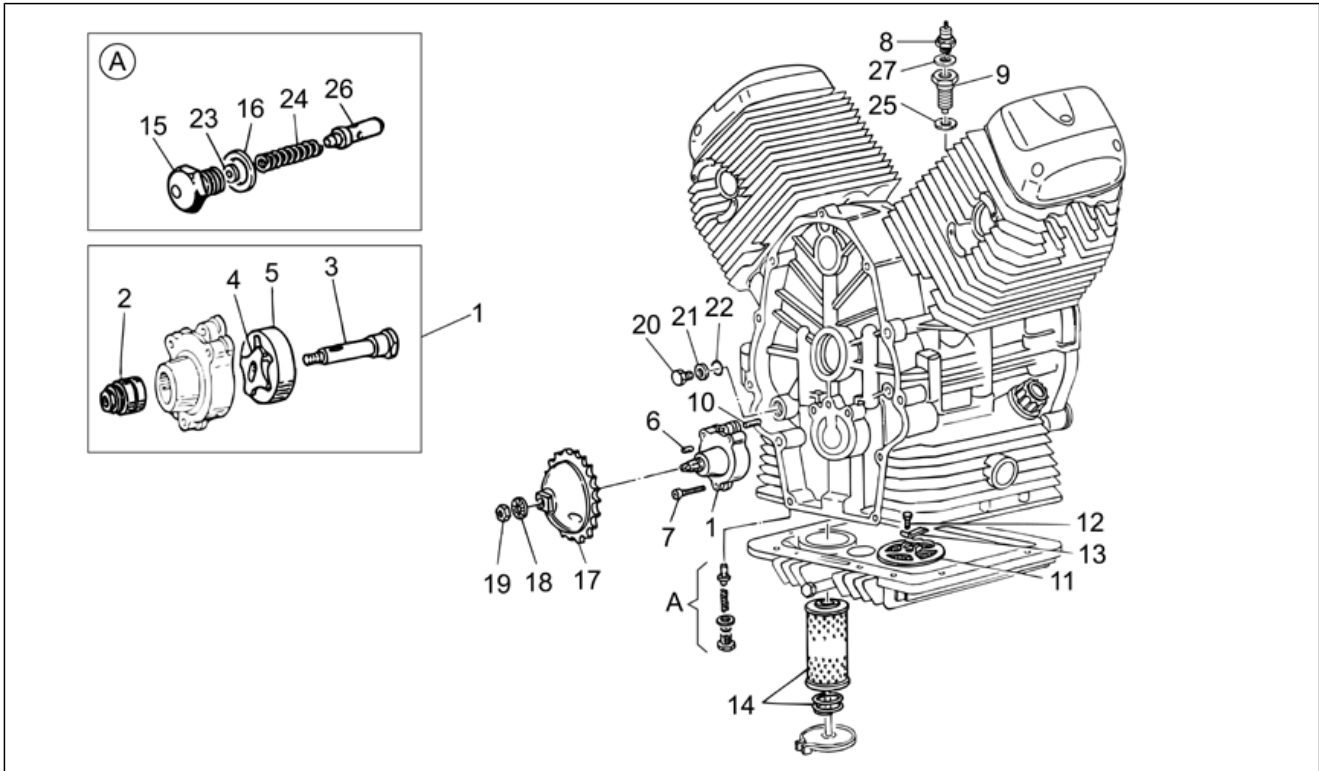
Pos.	Code	Description	Qty	Variants
1	GU32112510	Throttle assy	1	
2	GU32530508	Potentiometer	1	
3	GU32115010	RH manifold	1	
4	GU32115710	Injector kit complete	2	
5	GU32115610	Cap	2	
6	AP8152298	Screw w/ flange M5x16	2	
7	GU32115510	Gasket	1	
8	GU32115011	LH manifold	1	
9	GU98682322	Hex socket screw M6x22	4	
10	GU03013800	Washer 6,4x12	4	
11	GU98310609	screw M6x10	2	
12	GU95100116	Washer 6,25x10x1,5	2	
13	GU93305057	Hose clamp 57x59,5x10	2	
14	GU32114310	Hose	2	
15	GU93305061	Hose clamp 61/65,5	2	
16	GU32112610	Right throttle body	1	
17	GU32112611	Left throttle body	1	
18	GU32530509	Rod	1	
19	GU32113010	Plate	1	Technical Specifications:Version 25 Kw[25 Kw]
20	GU97270212	Shear rivet	1	Technical Specifications:Version 25 Kw[25 Kw]
21	GU32718010	Hose clamp	2	

Group	ENGINE
Code	34.11
Description	Oil pump
Service	1



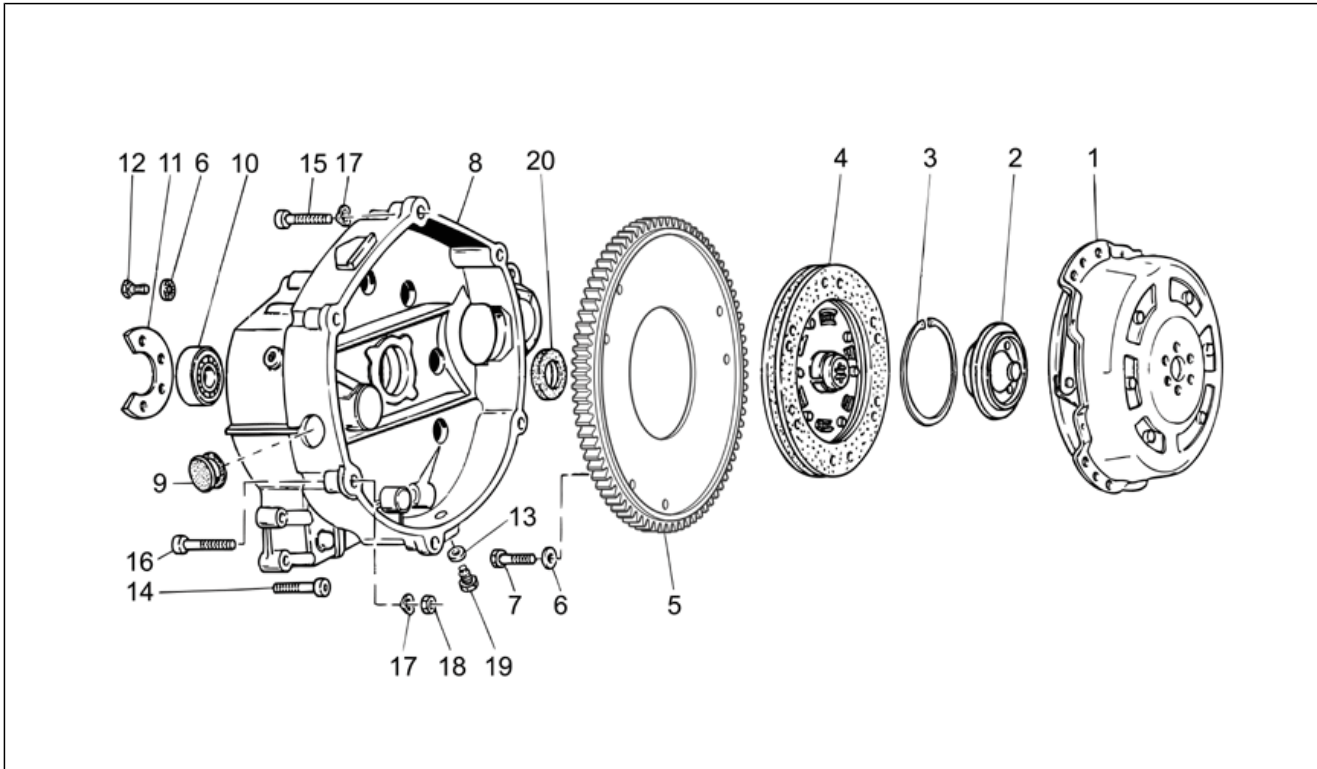
Pos.	Code	Description	Qty	Variants
1	GU19146422	Oil pump	1	
2	GU92252210	Roller bearing 10x22x20	1	
3	GU20147810	Oil pump shaft assy.	1	
4	GU20148410	Inner rotor	1	
5	GU20148610	Outer rotor	1	
6	GU92296723	Roller	1	
7	GU98620335	screw M6x35	3	
8	641541	Oil pressure sensor	1	
8	GU32768710	Pressure sensor	1	
9	887093	Union	1	
9	GU32768810	Union	1	
10	GU19018920	Pin	2	
11	GU19152200	Oil filter	1	
12	GU98084314	Hex screw M6x14	1	
13	GU95187006	Plate	1	
14	GU27153085	Oil filter	1	
15	GU31159050	Cover	1	
16	GU18144350	Washer 18,25x24x1	3	
17	GU20147710	Pump gear	1	
18	GU19149800	Washer 10,5x16x1	1	
19	GU92602510	Nut M10x1,25	1	
20	GU31016050	Cover	1	
21	GU18161150	Gasket 14,25	1	
22	GU90706111	O-ring	1	
23	GU95008206	Washer 6,15x11x0,8	1	
24	GU94321079	Spring	1	
25	GU95100602	Gasket	1	
26	GU31159050	Piston	1	

Group	ENGINE
Code	34.11
Description	Oil pump
Service	1



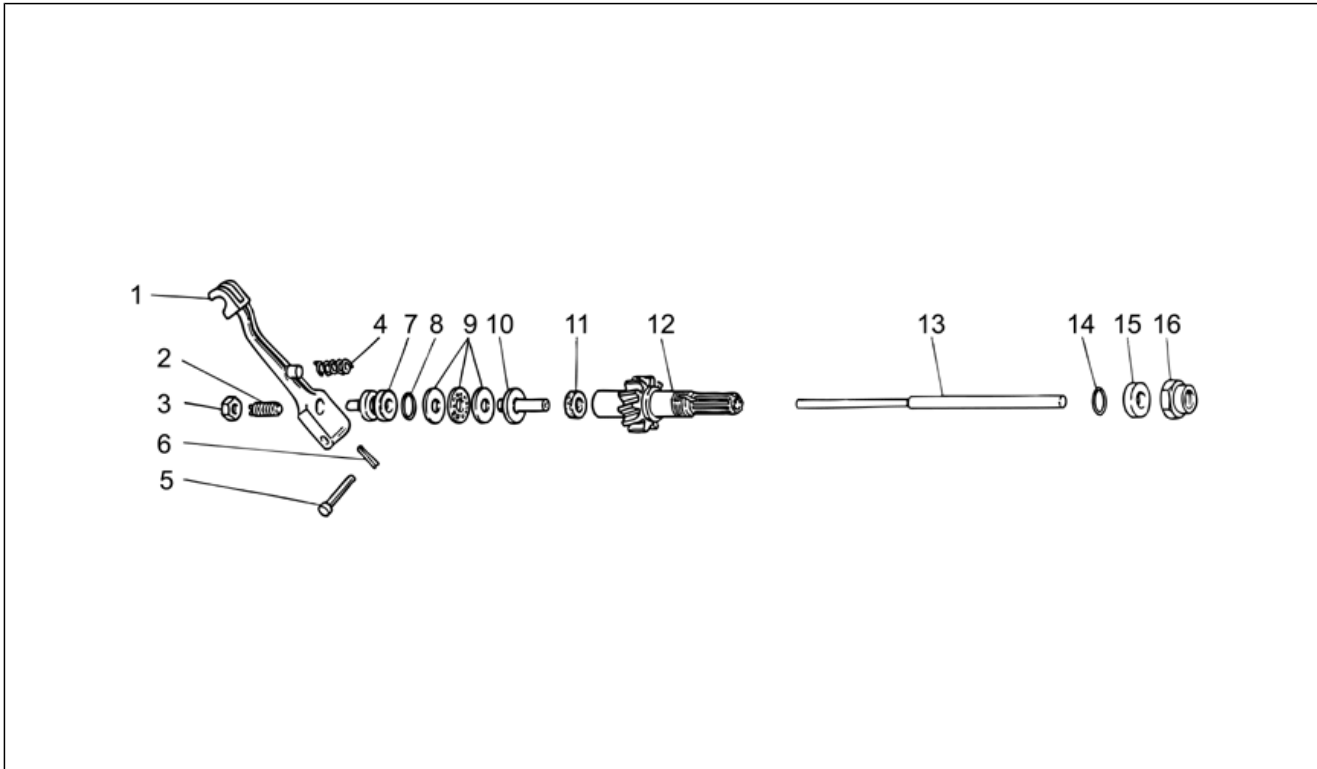
Pos.	Code	Description	Qty	Variants
27	GU95100309	Washer	1	

Group	ENGINE
Code	34.12
Description	Clutch I
Service	1



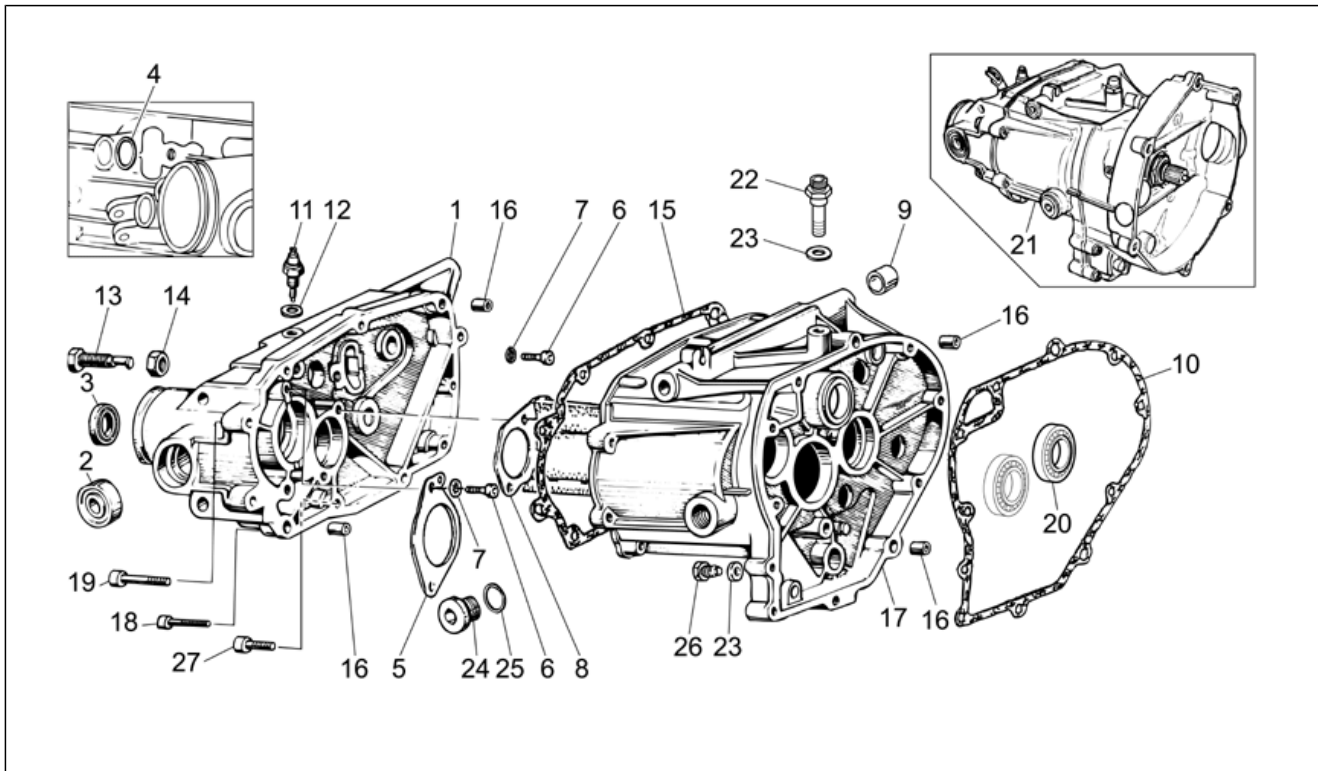
Pos.	Code	Description	Qty	Variants
1	GU32080310	Clutch	1	
2	GU19083462	New cup type	1	
3	GU90272075	Snap ring	1	
4	GU32084410	Driven clutch disc	1	
5	GU32067910	Chain ring	1	
6	GU14217901	Washer 6,4x10x0,7	9	
7	GU98084316	Hex screw	6	
8	GU32200410	Clutch drum	1	
9	GU93180220	Cover	1	
10	GU92201225	Bearing 25x52x15	1	
11	GU19203460	Bearing fixing plate	1	
12	GU98084314	Hex screw M6x14	3	
13	GU95008210	Washer 10,2X18X2	1	
14	GU98682330	Hex socket screw M6x20	11	
15	GU98680435	Hex socket screw M8x35	5	
16	GU98680450	Hex socket screw M8x50	1	
17	GU61270300	Spring washer 8x15x0,3	6	
18	GU92606208	Nut M8x1,25	1	
19	GU31003766	Oil unload plug M10x1	1	
20	GU90403246	Gasket ring 32x45x7	1	

Group	ENGINE
Code	34.13
Description	Clutch II
Service	1



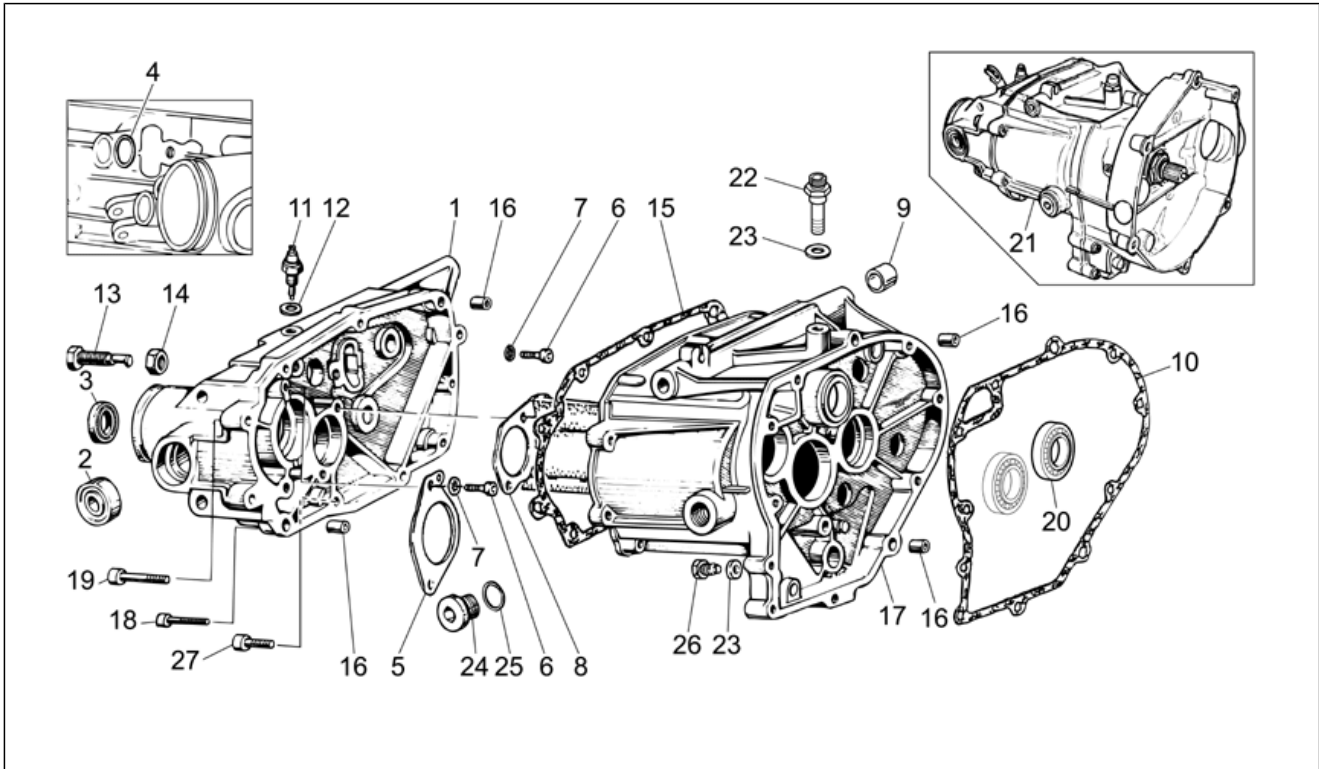
Pos.	Code	Description	Qty	Variants
1	GU14090201	Clutch relese shaft	1	
2	GU14090400	Adjuster screw	1	
3	GU92606508	Nut	1	
4	GU94321105	Lever return spring	1	
5	GU95780271	Pin 7x39	1	
6	GU95500222	Split pin	1	
7	GU14086100	Outer body	1	
8	GU90706170	O-ring 17,13x2,62	1	
9	GU12087001	Thrust bearing	1	
10	GU14086000	Inner body	1	
11	GU90400616	Gasket ring 6x16x7	1	
12	GU27210760	Transmission shaft Z=16	1	
13	GU20085720	Rod	1	
14	GU90706235	O-ring 23,52x1,78	1	
15	GU19213760	Spacer	1	
16	GU19356760	Nut	1	

Group	ENGINE
Code	34.14
Description	Transmission cage
Service	1



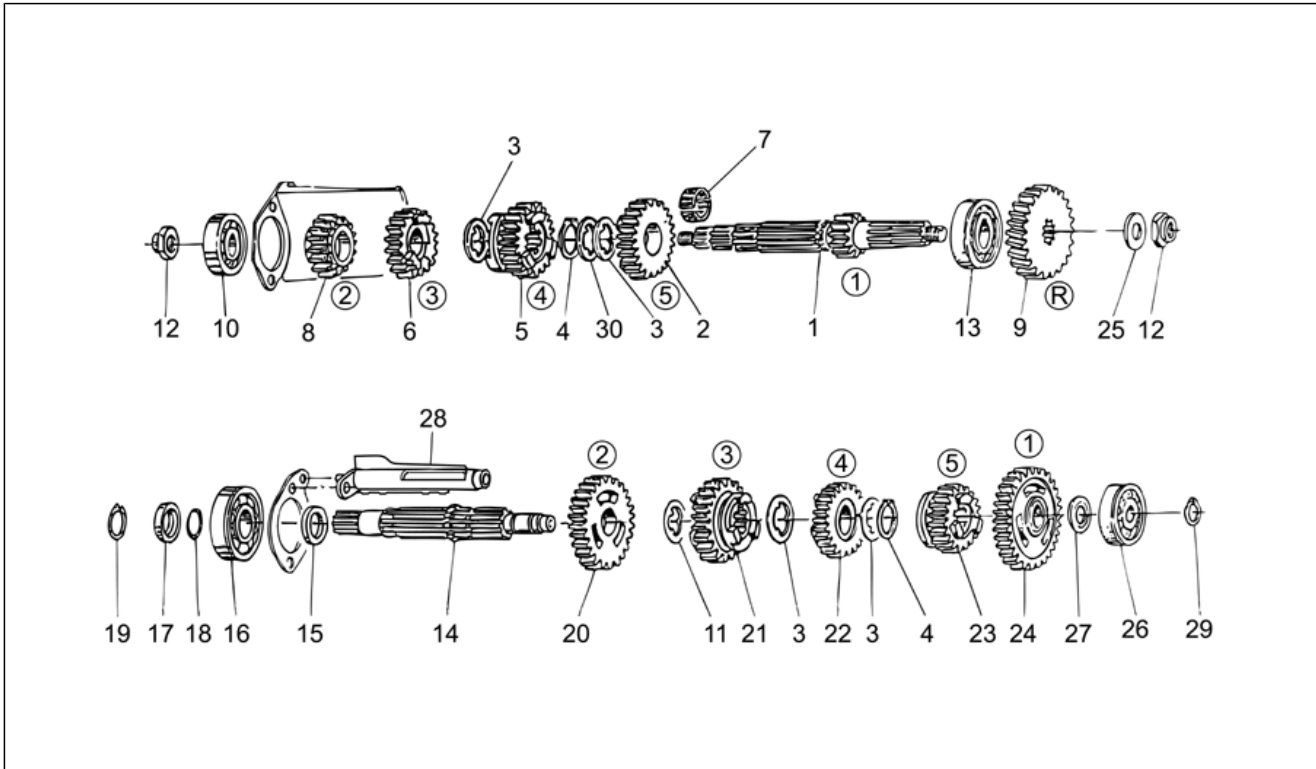
Pos.	Code	Description	Qty	Variants
1	976605	Gearbox cover	1	Year:2009[9]
1	GU32200810	Gearbox cover	1	Year:2003[3], 2004[4], 2005[5], 2006[6], 2007[7]
2	GU92204215	Bearing 15x35x11	2	
3	GU90402841	Gasket ring 28x40x7	1	
4	GU90706140	O-ring 13,95x2,92	1	
5	GU32213810	Plate	1	
6	GU98682314	Hex socket screw M6x14	4	
7	GU14217901	Washer 6,4x10x0,7	4	
8	GU32208210	Oil bulhead	1	
9	GU19202320	Bushing 10,25x15,7x8	2	
10	GU23200370	Gasket	1	
11	GU19207220	Sensor	1	
12	GU12154200	Gasket 8,25x15x1	1	
13	GU19237800	Screw M12x1,25	1	
14	GU92606512	Low nut M12x1,25	1	
15	GU19201120	Gasket	1	
16	GU19002020	Bushing 6,6x9x13	4	
17	976606	Gearbox black	1	Year:2009[9]
17	GU32200210	Transmission cage	1	Year:2003[3], 2004[4], 2005[5], 2006[6], 2007[7]
18	GU98682330	Hex socket screw M6x20	5	
19	GU98680435	Hex socket screw M8x35	4	
20	GU92201120	Ball bearing 20x42x12	1	
21	976940	Transmission assy and housing	1	Year:2009[9]
21	GU32991510	Transmission assy and housing	1	Year:2003[3], 2004[4], 2005[5] Technical Specifications:Gear box 1st series , numeration GL[C1]
21	GU32991511	Transmission assy and housing	1	Year:2005[5], 2006[6], 2007[7] Technical Specifications:Gear box 2nd series , numeration GM[C2]

Group	ENGINE
Code	34.14
Description	Transmission cage
Service	1



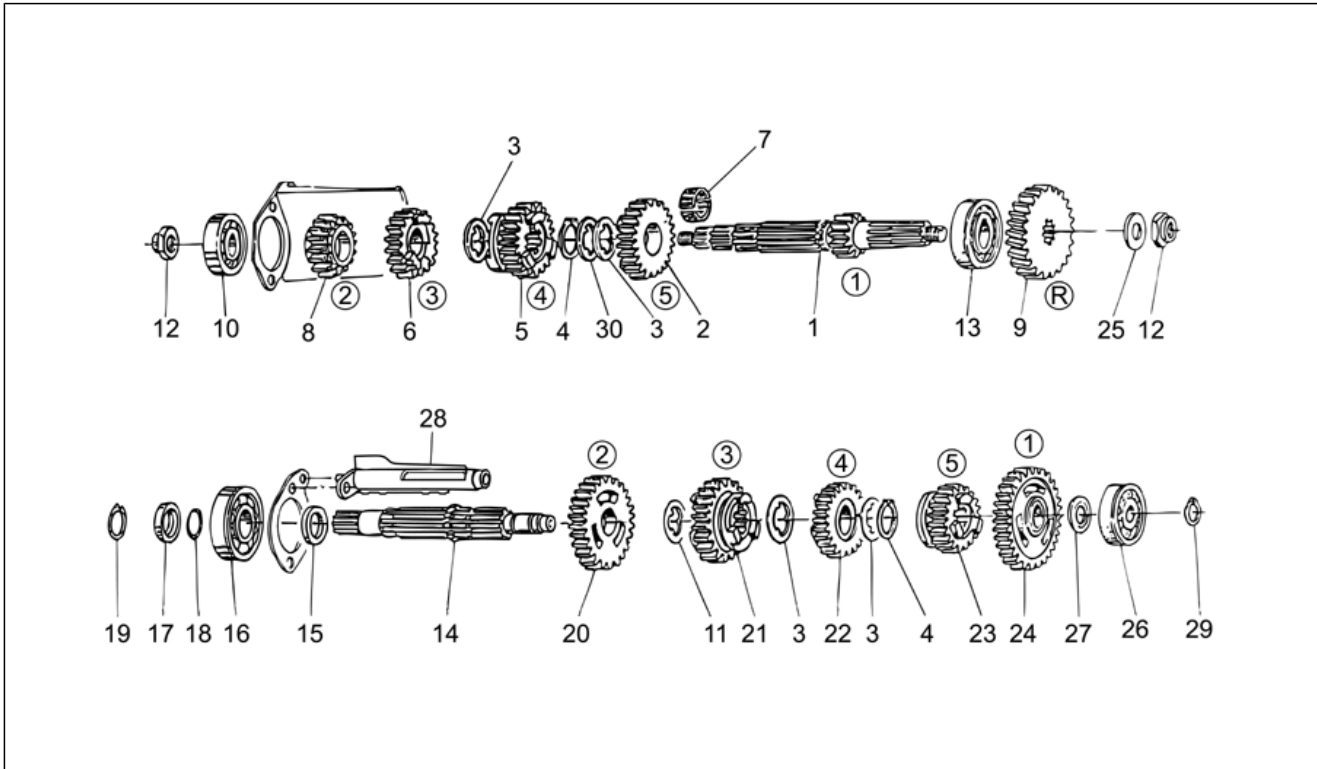
Pos.	Code	Description	Qty	Variants
22	GU32206510	Breather plug	1	
23	GU01528930	Gasket 10x18x1,5	2	
24	GU12022600	Oil plug	1	
25	GU90706203	O-ring 20,24x2,62	1	
26	GU31003766	Oil unload plug M10x1	1	
27	GU98680335	Hex socket screw M6x35	2	

Group	ENGINE
Code	34.15
Description	Gear box
Service	1



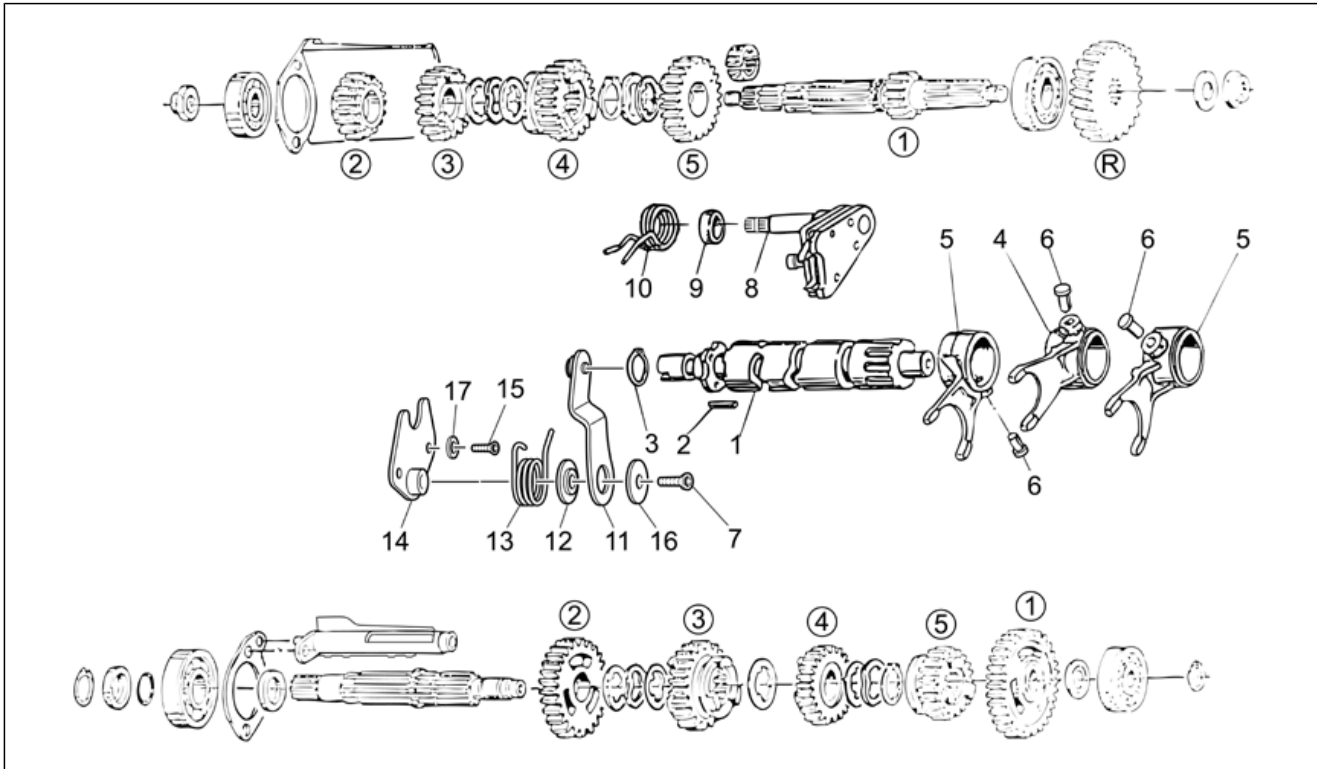
Pos.	Code	Description	Qty	Variants
1	GU23210570	Primary gear shaft Z=11	1	Year:2003[3], 2004[4], 2005[5] Technical Specifications:Gear box 1st series , numeration GL[C1]
1	GU32210510	Primary gear shaft Z=11	1	Year:2005[5], 2006[6], 2007[7] Technical Specifications:Gear box 2nd series , numeration GM[C2]
2	GU32212010	Gear 5a AP Z=20	1	Year:2003[3], 2004[4], 2005[5] Technical Specifications:Gear box 1st series , numeration GL[C1]
2	GU32212011	Gear 5a AP Z=25	1	Year:2005[5], 2006[6], 2007[7] Technical Specifications:Gear box 2nd series , numeration GM[C2]
3	GU19215460	Thrust washer	3	
4	GU90271124	Circlip	2	
5	GU32211810	Gear 4a AP Z=18	1	
6	GU32211410	Gear 3a AP Z=18	1	
7	GU92251028	Roller cage	1	
8	GU23211372	Gear 2a AP Z=14	1	
9	GU32211110	Idle gear AP Z=21	1	
10	GU92218417	Bearing AP 17x40x17,5	1	
11	GU19214660	Clearance washer	2	
12	GU10054100	Nut	2	
13	GU92230320	Bearing AP 20x37x17	1	
14	GU19213661	Driven shaft	1	Year:2003[3], 2004[4], 2005[5] Technical Specifications:Gear box 1st series , numeration GL[C1]
14	GU32213610	Driven shaft	1	Year:2005[5], 2006[6], 2007[7] Technical Specifications:Gear box 2nd series , numeration GM[C2]
15	GU19212900	Spacer	1	
16	GU92201220	Bearing 20X47X14	1	

Group	ENGINE
Code	34.15
Description	Gear box
Service	1



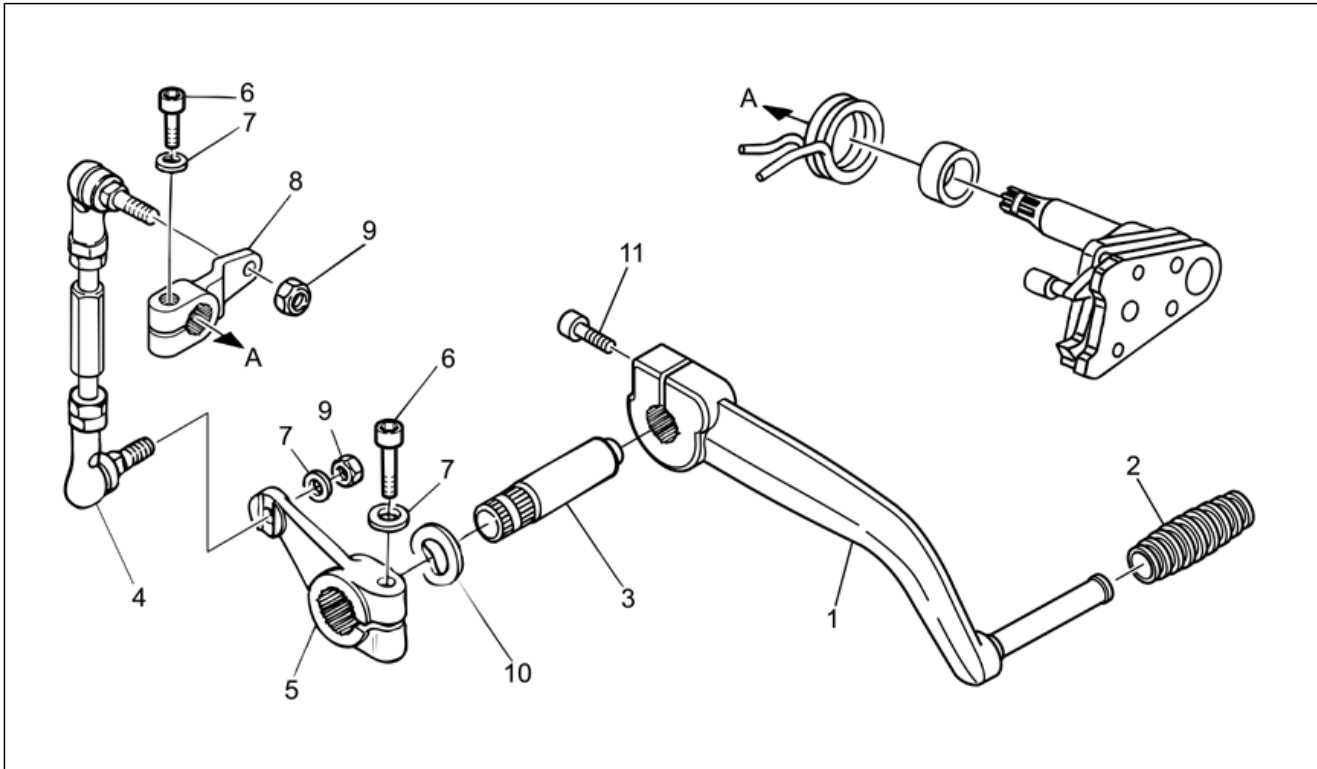
Pos.	Code	Description	Qty	Variants
17	GU19213720	Spacer	1	
18	GU90706188	Gasket ring 18,77X1,78	1	
19	GU90271121	Circlip	1	
20	GU32214510	Gear 2a AS Z=23	1	
21	GU32214810	Gear 3a AS Z=23	1	
22	GU32215010	Gear 4a AS Z=19	1	
23	GU23215270	Gear 5a AS Z=18	1	Year:2003[3], 2004[4], 2005[5] Technical Specifications: Gear box 1st series , numeration GL[C1]
23	GU32215210	Gear 5a AS Z=22	1	Year:2005[5], 2006[6], 2007[7] Technical Specifications: Gear box 2nd series , numeration GM[C2]
24	GU32214010	Gear 1a AS Z=26	1	
25	GU39238100	Clearance washer	1	
26	GU92234716	Bearing	1	
27	GU10214300	Spacer 1,5 mm	1	
27	GU10214301	Spacer 1,7 mm	1	
27	GU10214302	Spacer 1,8 mm	1	
27	GU10214303	Spacer 1,9 mm	1	
27	GU10214304	Washer 2 mm	1	
27	GU10214305	Spacer 2,1 mm	1	
28	GU32202010	Gutter	1	
29	GU90271117	Circlip	1	

Group	ENGINE
Code	34.16
Description	Gear box selector
Service	1



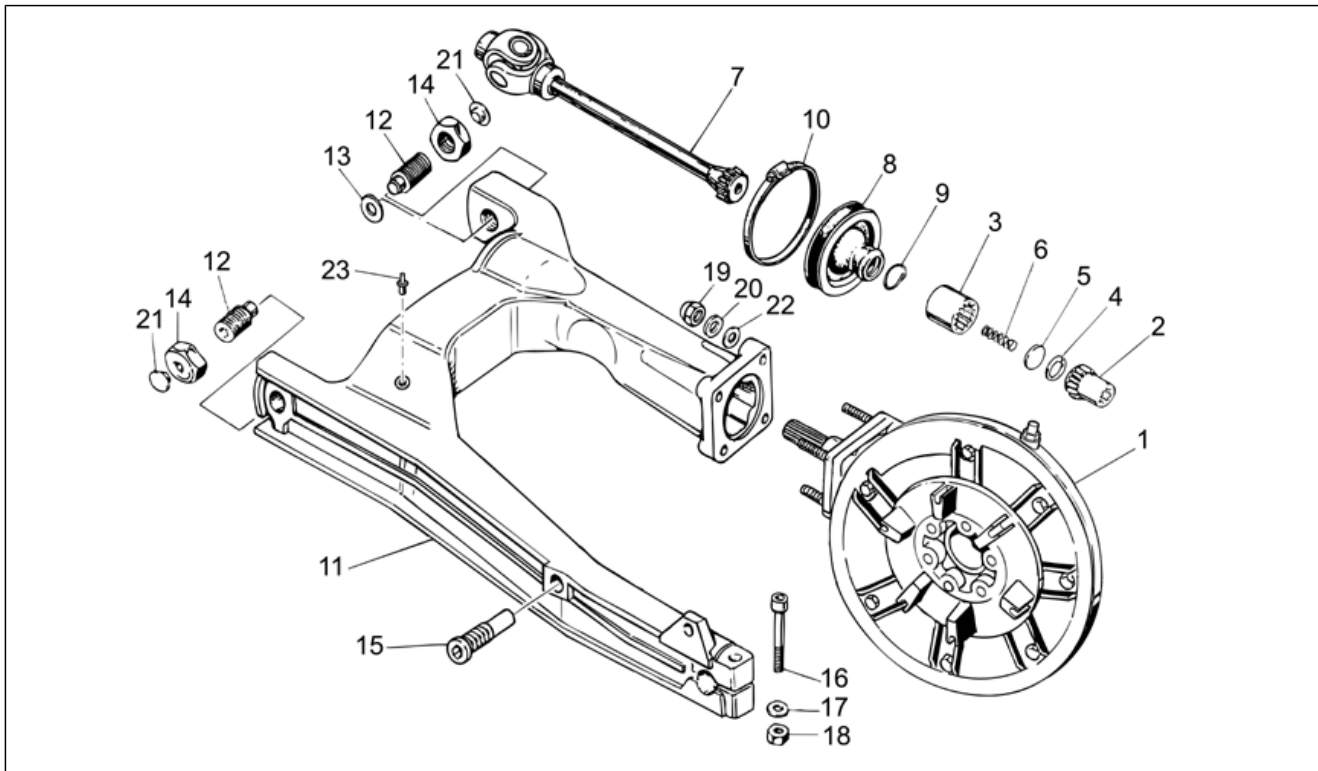
Pos.	Code	Description	Qty	Variants
1	GU32234410	Shift cam	1	
2	GU19234600	Pin	4	
3	GU90274026	Snap ring	1	
4	GU32231210	Fork AP	1	
5	GU32231010	Fork AS	2	
6	GU32233010	Roller	3	
7	GU98230612	screw	1	
8	GU32236210	Preselection complete	1	
9	GU20208520	Spacer	1	
10	GU32238210	Spring	1	
11	GU32234710	Lever	1	
12	GU32234810	Washer	1	
13	GU32234110	Spring	1	
14	GU32235710	plate	1	
15	GU98257618	Screw M6x18	2	
16	GU32234910	Washer 6,4x20x1	1	
17	GU14217901	Washer 6,4x10x0,7	2	

Group	ENGINE
Code	34.17
Description	Gear lever
Service	1



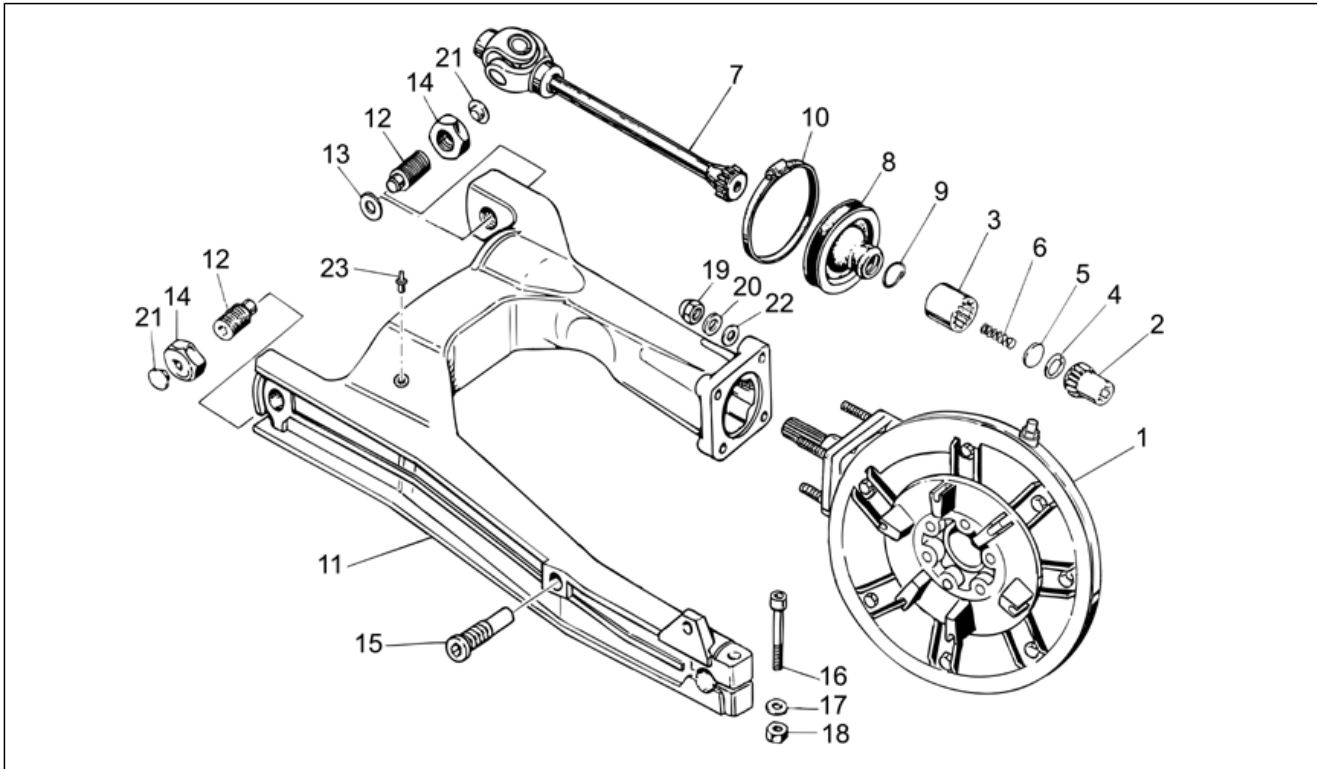
Pos.	Code	Description	Qty	Variants
1	GU32250911	Gear lever	1	
2	AP8220189	Rubber spacer	1	
3	GU32251610	Lever pin	1	
4	GU32257810	Change gear tie rod compl.	1	
5	GU32256910	Lever	1	
6	GU98632322	screw	2	
7	GU03013800	Washer 6,4x12	3	
8	GU32258210	Shift lever	1	
9	GU92630707	Nut	2	
10	GU95129260	Spring washer	2	
11	GU98682322	Hex socket screw M6x22	1	

Group	ENGINE
Code	34.18
Description	Transmission complete I
Service	1



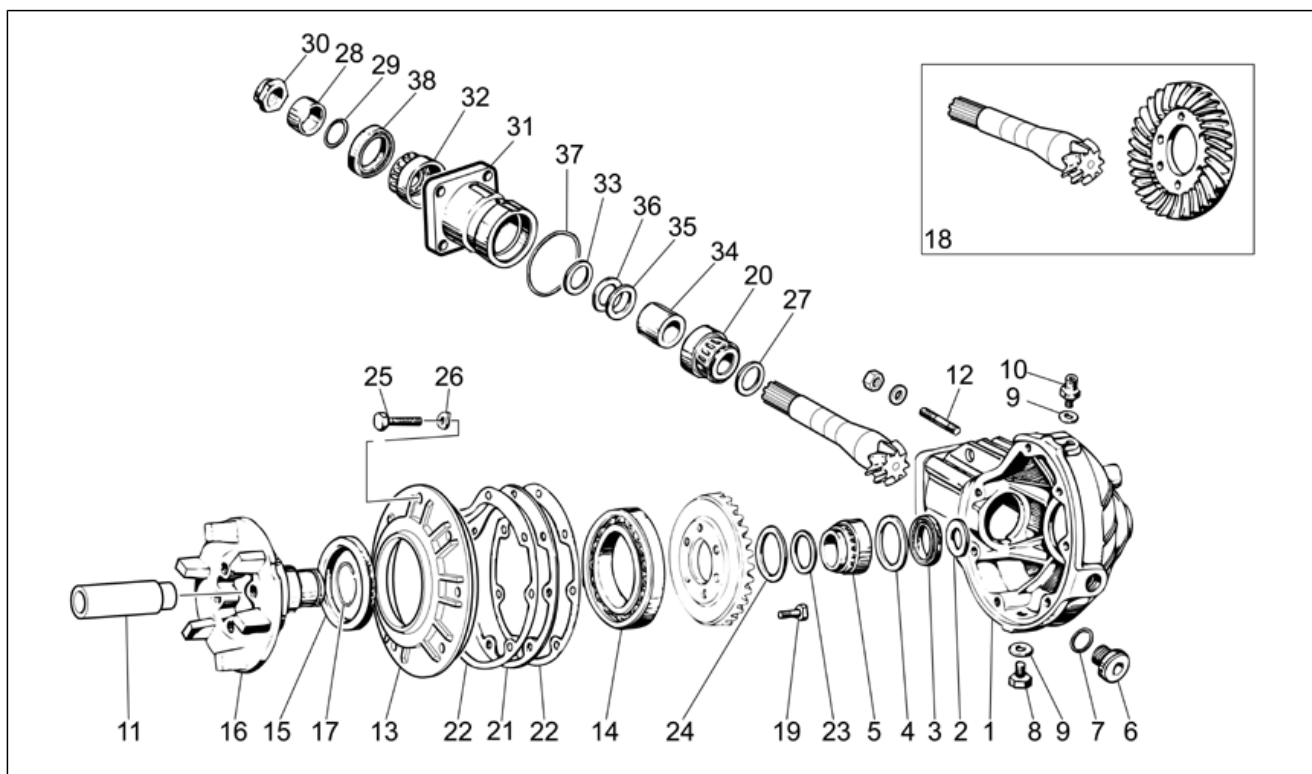
Pos.	Code	Description	Qty	Variants
1	GU32350210	Transmission assygrey	1	
2	GU31327783	Hose	1	
3	GU19328801	Hose	1	
4	GU90272023	Circlip	1	
5	GU19327601	Disc	1	
6	GU94321099	Spring	1	
7	GU23328081	Coupling	1	
8	GU23548080	Protection collar	1	
9	GU23548180	Spring	1	
10	AP8120246	Hose clamp D=60-80	1	
11	883011	Swing arm, black	1	Year:2009[9]
11	GU32540210	Rear fork grey	1	Year:2003[3], 2004[4], 2005[5] Vehicle colour:Brevia Red 2003[b/re], Grigna Grey 2003[g/gr], Ollare Black 2003[o/bl], Race Red 2005[r/re] Technical Specifications:To frame n. LL 116442[T5]
11	GU32540260	Rear fork grey	1	Year:2007[7] Vehicle colour:Guzzi Black/Light Grey 2007[blg/lg], Race Red 2006[r/red]
11	GU32540260	Rear fork grey	1	Year:2003[3], 2004[4], 2005[5] Vehicle colour:Brevia Red 2003[b/re], Grigna Grey 2003[g/gr], Ollare Black 2003[o/bl], Race Red 2005[r/re] Technical Specifications:From frame n. LL 116443[T6]
11	GU32540260	Rear fork grey	1	Year:2006[6] Vehicle colour:Guzzi Black 2006[g/bl], Mica White 2006 ica White 2006[m/wh], Race Red 2006[r/red], Cyan 2006[s/bl]
12	GU19547000	Pin	2	
13	GU35214300	Spacer	1	
14	GU31547882	Nut	2	
15	GU31544181	Pin	1	
16	GU98680545	screw M10x45	1	
17	GU95008210	Washer 10,2X18X2	1	

Group	ENGINE
Code	34.18
Description	Transmission complete I
Service	1



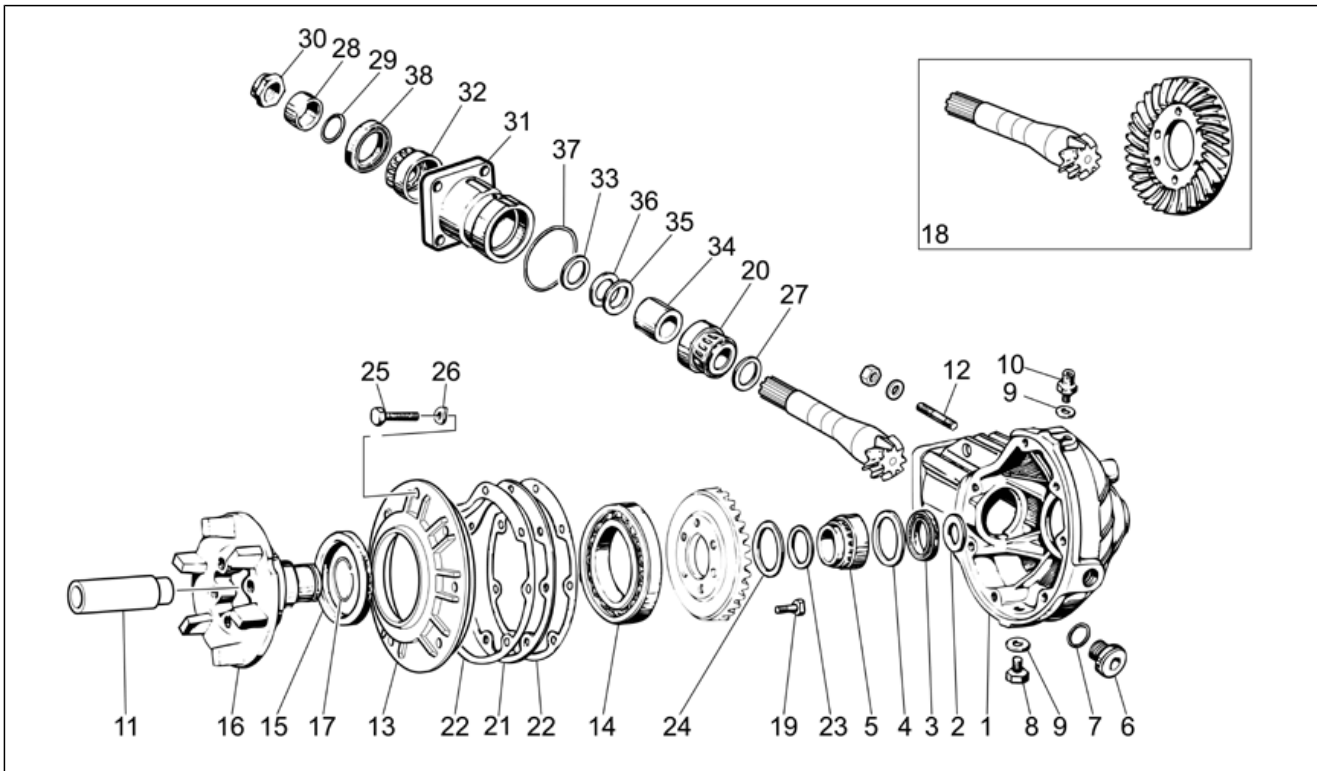
Pos.	Code	Description	Qty	Variants
18	GU92606210	Nut M10x1,5	1	
19	GU92787008	Cap nut M8x1,25	4	
20	GU14615901	Washer 8,4X13X0,8	4	
21	GU93180105	Cover	2	
22	GU95005308	Washer 8,4x14,57x1,6	4	
23	GU03922280	Cover 5x9	1	

Group	ENGINE
Code	34.19
Description	Transmission complete II
Service	1



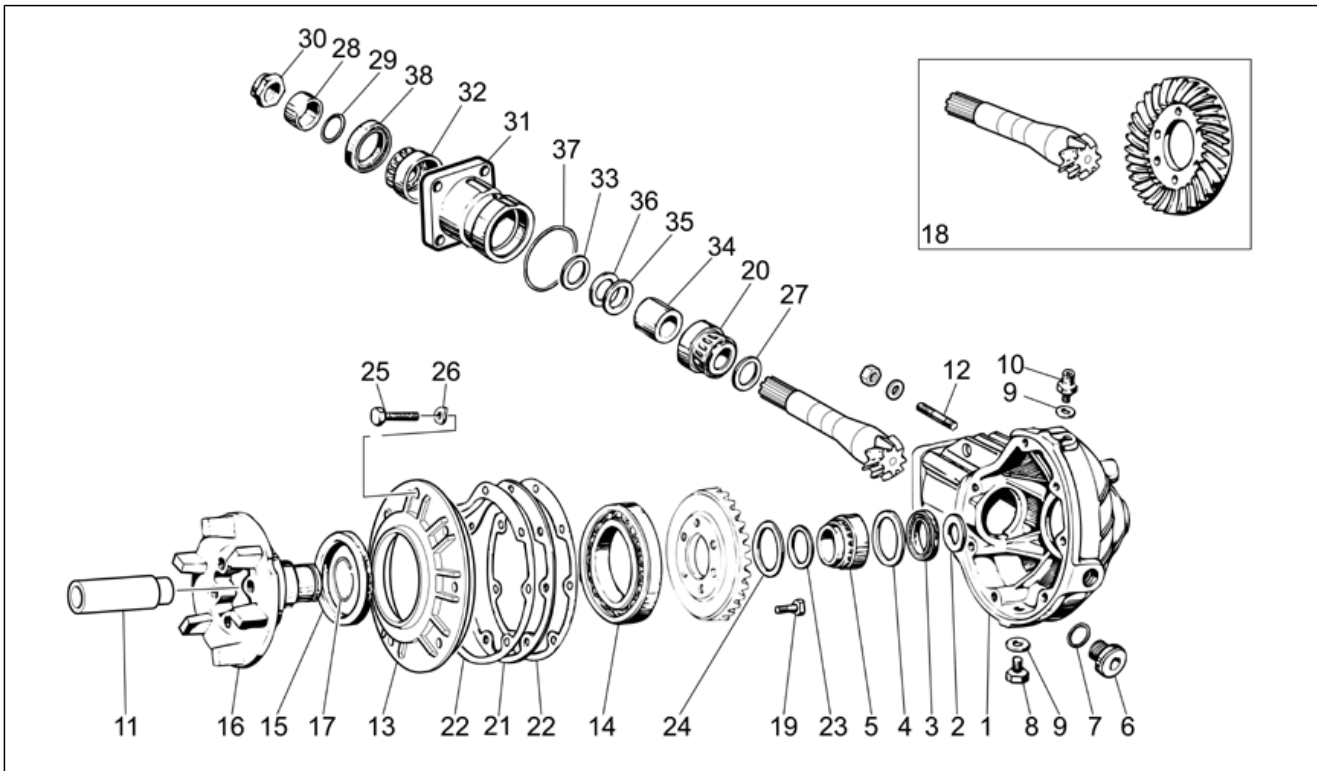
Pos.	Code	Description	Qty	Variants
1	976608	Transmission housingblack	1	Year:2009[9]
1	GU32350310	Transmission housinggrey	1	Year:2003[3], 2004[4], 2005[5], 2006[6], 2007[7]
2	GU19351900	Clearance washer	1	
3	GU90403549	Gasket ring 35x47x7	1	
4	GU19351100	Clearance washer	1	
5	GU92252235	Roller bearing 35x50x17	1	
6	GU12022600	Oil plug	1	
7	GU90706203	O-ring 20,24X2,62	1	
8	GU31003766	Oil unload plug M10x1	1	
9	GU01528930	Gasket 10x18x1,5	2	
10	GU19206501	Breather plug	1	
11	GU27634110	Spacer	2	
12	GU96508055	Stud bolt	4	
13	GU31350480	Cover	1	Year:2003[3], 2004[4], 2005[5] Technical Specifications:To frame n.LL 111907[T1]
13	GU32350410	Cover	1	Year:2003[3], 2004[4], 2005[5] Technical Specifications:From frame n. LL 111908[T2]
13	GU32350410	Cover	1	Year:2006[6], 2007[7]
14	GU92201070	Ball bearing 70x110x13	1	
15	GU90407590	Gasket ring 75x90x8	1	Year:2003[3], 2004[4], 2005[5] Technical Specifications:To frame n.LL 111907[T1]
15	GU90407591	Gasket ring 75x95x10	1	Year:2003[3], 2004[4], 2005[5] Technical Specifications:From frame n. LL 111908[T2]
15	GU90407591	Gasket ring 75x95x10	1	Year:2006[6], 2007[7]
16	GU19351401	Pin	1	Year:2003[3], 2004[4], 2005[5] Technical Specifications:To frame n.LL 111907[T1]
16	GU32351410	Pin	1	Year:2006[6], 2007[7]
16	GU32351410	Pin	1	Year:2003[3], 2004[4], 2005[5] Technical Specifications:From frame n. LL 111908[T2]

Group	ENGINE
Code	34.19
Description	Transmission complete II
Service	1



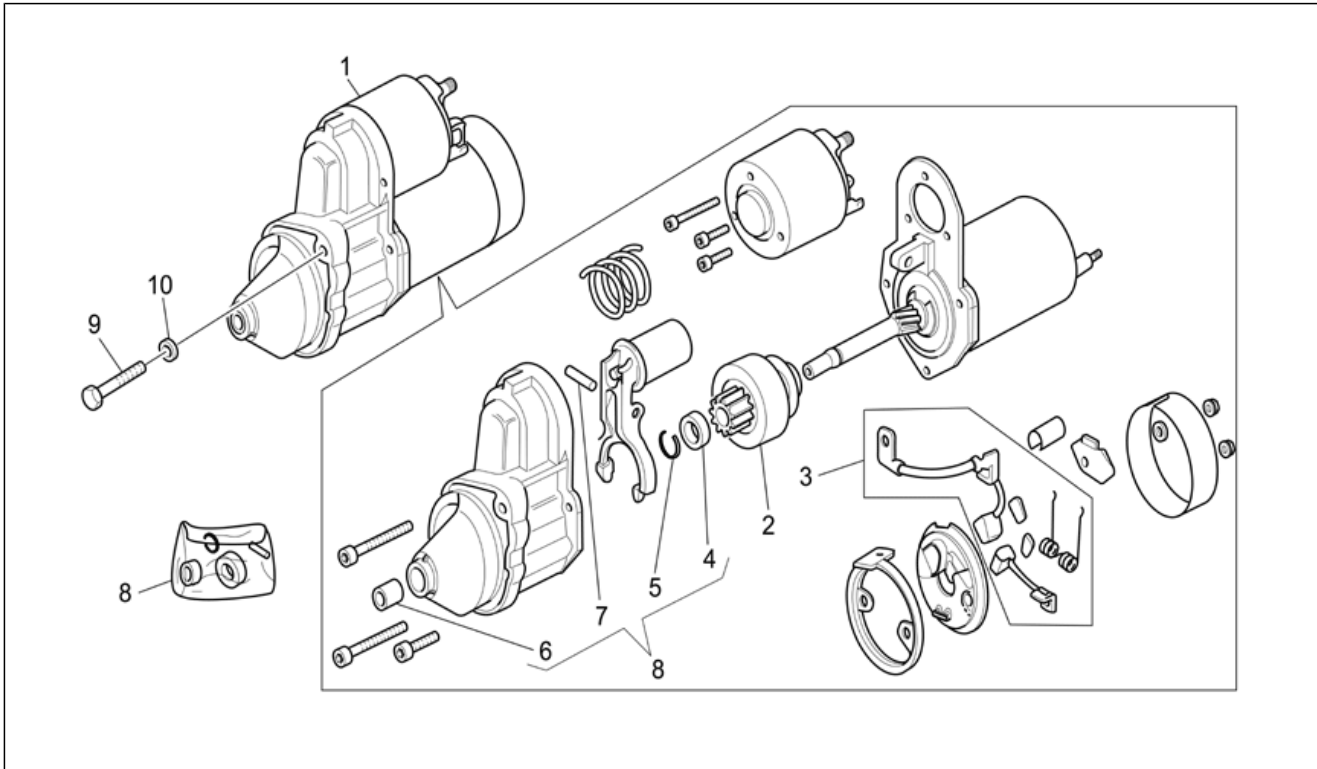
Pos.	Code	Description	Qty	Variants
17	GU90353030	Stop ring	1	
18	GU32354610	Bevel gear 8/33	1	
19	GU03067730	screw M8x25	6	
20	GU92249227	Tap.roller bearing 25x5	1	
21	GU19355400	Spacer 0,8 mm	1	
21	GU19355402	Spacer 0,9 mm	1	
21	GU19355404	Spacer 1 mm	1	
21	GU19355406	Spacer 1,1 mm	1	
21	GU19355408	Spacer 1,2 mm	1	
21	GU19355410	Spacer 1,3 mm	1	
21	GU19355411	Spacer 1,4 mm	1	
21	GU19355412	Spacer 1,5 mm	1	
21	GU19355413	Spacer 1,6 mm	1	
22	GU19350700	Gasket	2	
23	GU19352300	Thrust washer	1	
24	GU19353500	Thrust washer	1	
25	GU19357660	screw	7	
26	GU61270300	Spring washer 8x15x0,3	7	
27	GU19355320	Spacer 1 mm	1	
27	GU19355321	Spacer 1,1 mm	1	
27	GU19355322	Spacer 1,2 mm	1	
27	GU19355323	Spacer 1,3 mm	1	
27	GU19355324	Spacer 1,4 mm	1	
27	GU19355325	Spacer 1,5 mm	1	
27	GU19355326	Spacer 1,6 mm	1	
27	GU19355327	Spacer 1,7 mm	1	
27	GU19355328	Spacer 1,8 mm	1	
27	GU19355329	Spacer 1,9 mm	1	

Group	ENGINE
Code	34.19
Description	Transmission complete II
Service	1



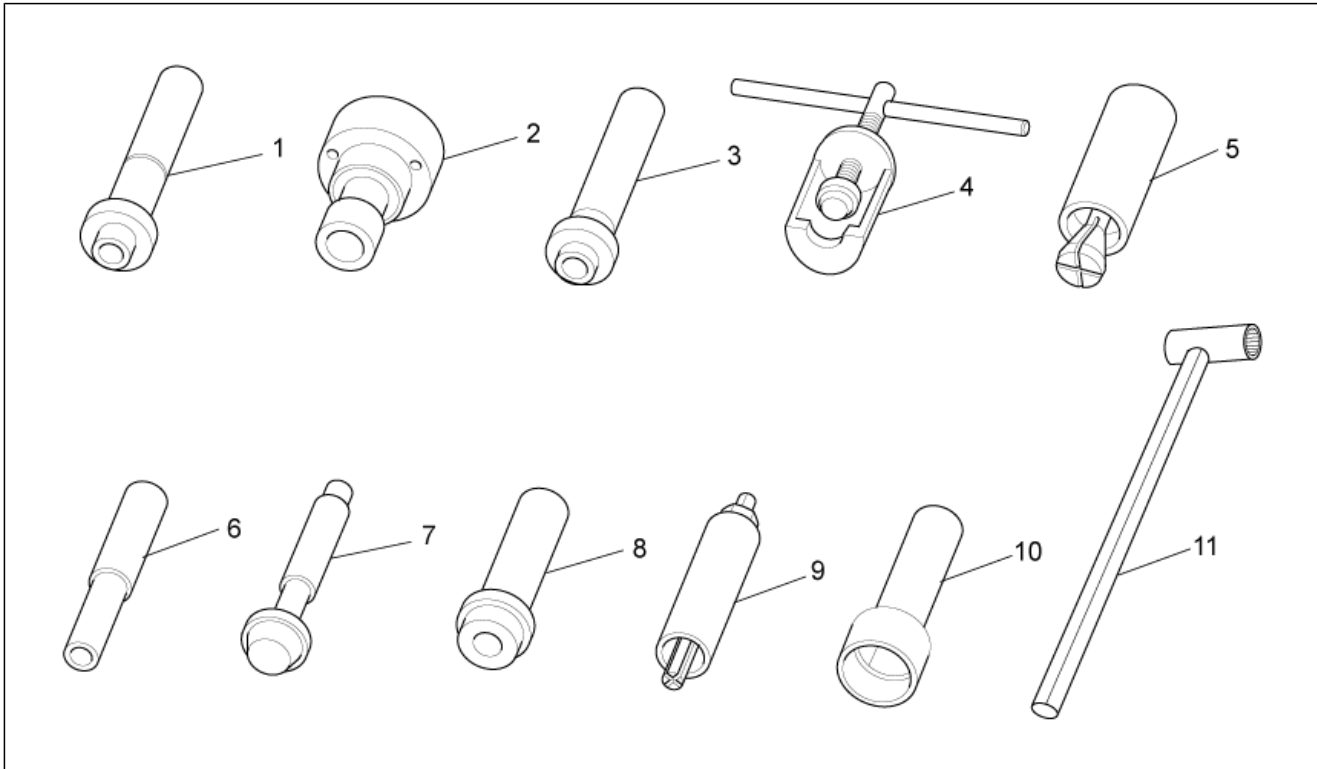
Pos.	Code	Description	Qty	Variants
28	GU19356801	Spacer	1	
29	GU90706188	Gasket ring 18,77X1,78	1	
30	GU19356700	Nut	1	
31	GU20352421	Flange	1	Technical Specifications: To frame n.LL 111907[T1]
32	GU92249220	Roller bearing 20x47x14	1	
33	GU19355300	Spacer 1 mm	2	
33	GU19355301	Spacer 1,1 mm	2	
33	GU19355302	Spacer 1,2 mm	2	
33	GU19355303	Spacer 1,3 mm	2	
33	GU19355304	Spacer 1,4 mm	2	
33	GU19355305	Spacer 1,5 mm	2	
33	GU19355306	Spacer 1,6 mm	2	
33	GU19355307	Spacer 1,7 mm	2	
33	GU19355308	Spacer 1,8 mm	2	
33	GU19355309	Spacer 1,9 mm	2	
34	GU20355121	Spacer	1	
35	GU19355200	Shim 0,1 mm	1	
36	GU19355202	Shim 0,15 mm	1	
37	GU90706584	Gasket 58,42x2,62	1	
38	GU90403251	Gasket ring 32x47x10	1	

Group	ENGINE
Code	34.45
Description	Starter motor
Service	1



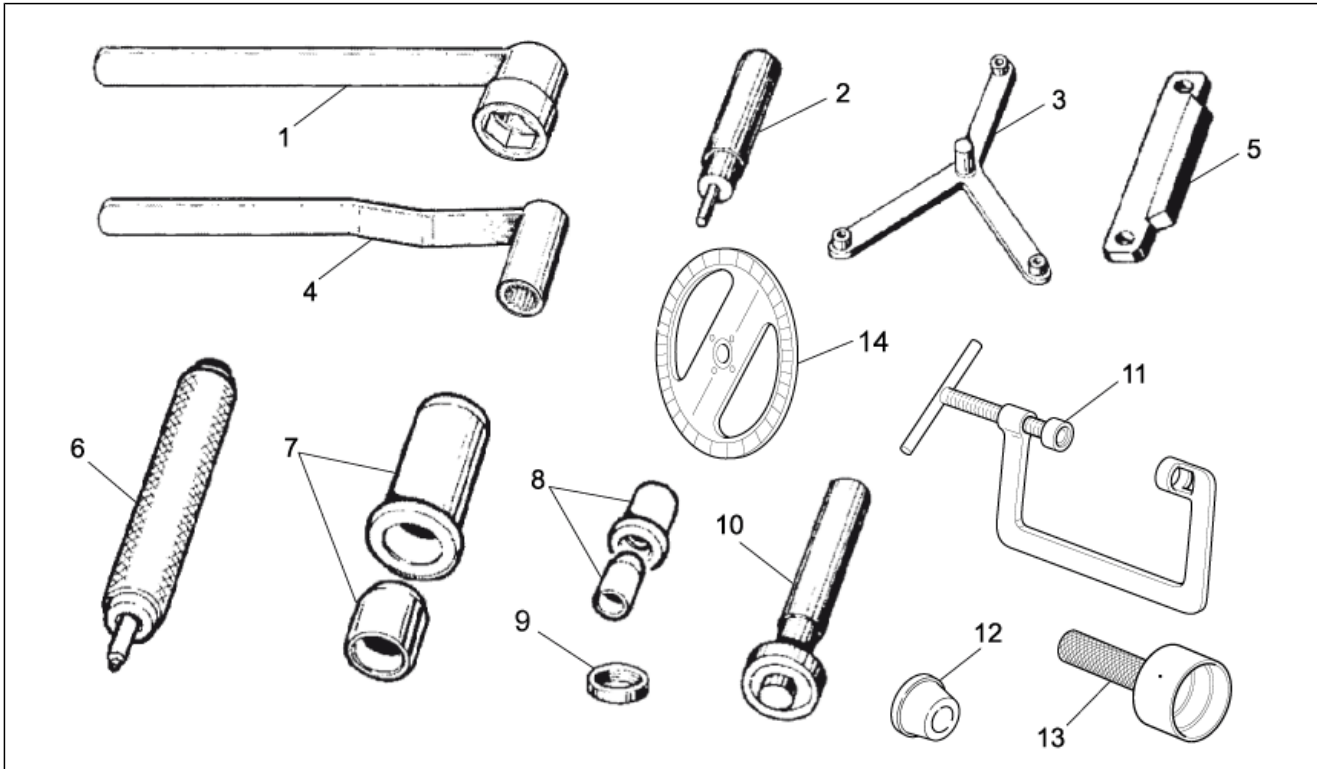
Pos.	Code	Description	Qty	Variants
1	GU05730730	Starter motor Bosch	1	Year:2009[9] Technical Specifications:Bosch starter motor[B]
1	GU30730711	Starter motor Valeo	1	Year:2003[3], 2004[4], 2005[5], 2006[6], 2007[7] Technical Specifications:Valeo starter motor[V]
2	GU30530510	Pinion assy	1	Technical Specifications:Valeo starter motor[V]
3	GU30530511	Brush revision set	1	Technical Specifications:Valeo starter motor[V]
4	0000000	Tyre	1	
5	0000000	Tyre	1	
6	0000000	Tyre	1	
7	0000000	Tyre	1	
8	GU30530512	Starter motor revision kit	1	Technical Specifications:Valeo starter motor[V]
9	GU98082435	Hex screw M8x35	2	
10	GU95008208	Washer 8,4X15X1,5	2	

Group	SPECIAL TOOLS
Code	36.56
Description	Specific tools I
Service	1



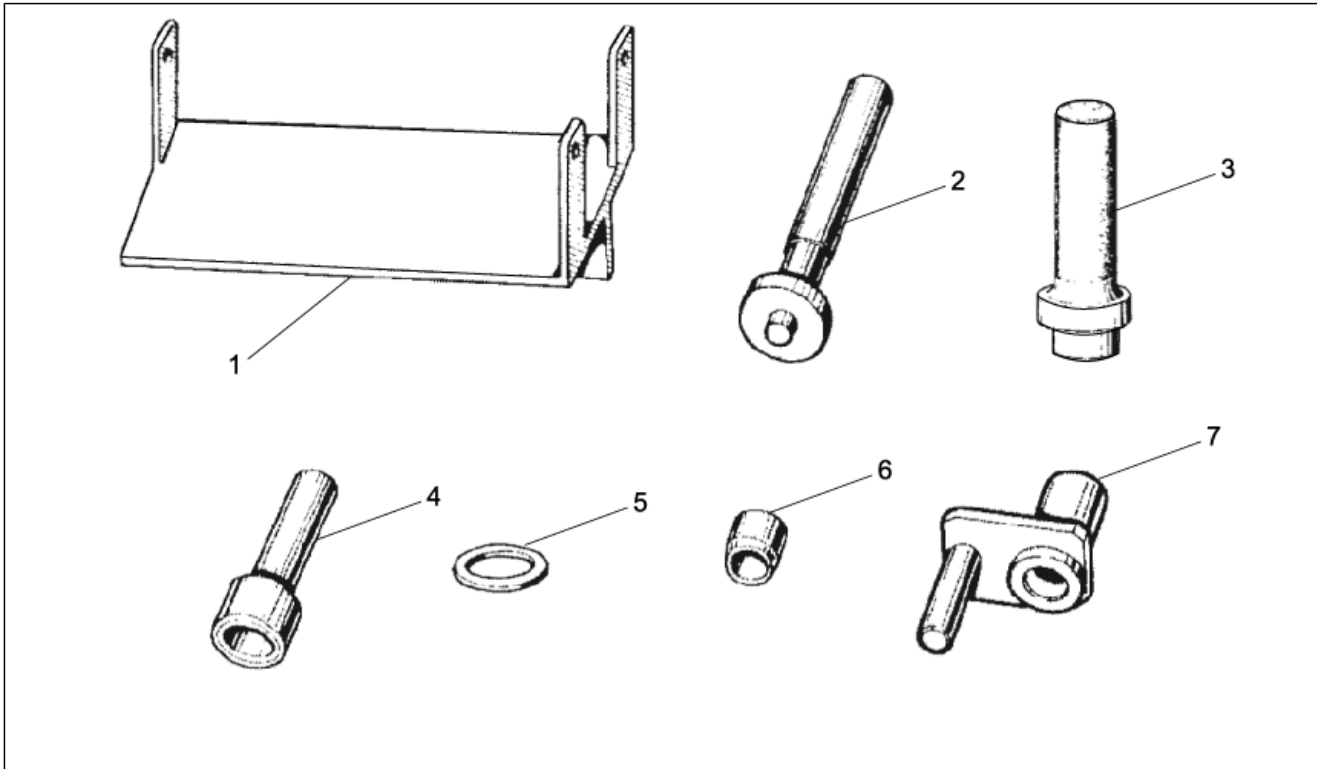
Pos.	Code	Description	Qty	Variants
1	GU19926100	Punch for pinion oil seal	1	
2	GU19928800	Bevel gear pair preassemb.tool	1	
3	GU19926000	Punch for trans.case oil seal	1	
4	GU19907000	Puller for internal ring	1	
5	GU19927500	Puller for transm.case bearing	1	
6	GU19926200	Punch for bearing on bev.gear	1	
7	GU19926400	Punch for taper bearing	1	
8	GU19926500	Punch for trans.case oil seal	1	
9	GU19927600	Puller for swing arm hold.	1	
10	GU19927900	Punch for driving bearing	1	
11	GU19907100	Gear pair holder tool	1	

Group	SPECIAL TOOLS
Code	36.57
Description	Specific tools II
Service	1



Pos.	Code	Description	Qty	Variants
1	GU19905460	Clutch shaft nut holding wrench	1	
2	GU19905900	Punch for clutch shaft bearing	1	
3	GU19906500	Clutch disk assembly tool	1	
4	GU19907160	Clutch shaft holding tool	1	
5	GU19911800	Flywheel holder tool	1	
6	GU19926020	Mounting cap on valve guide	1	
7	GU19927220	fitting oil seal/timing cover	1	
8	GU19927320	Assembling oil seal timing cov.	1	
9	GU19927800	Bush for valve disassemb.tool	1	
10	GU19929400	Punch for clutch shaft bearing	1	
11	GU10907200	Valve removal and fitting	1	
12	GU12912000	Flange flywheel side	1	
13	GU19927100	Seal ring flange flywheel side	1	
14	GU19929600	Index plate tim.sett./ign.cont	1	

Group	SPECIAL TOOLS
Code	36.58
Description	Specific tools III
Service	1



Pos.	Code	Description	Qty	Variants
1	GU19902500	Gearbox housing support	1	
2	GU19926300	Punch for primary shaft bear.	1	
3	GU19926460	Second.shaft bearing ins.tool	1	
4	GU19927200	Punch oil seal on gearbox cov.	1	
5	GU19927202	Spacer for install.of ring	1	
6	GU19927300	fitting oil seal/second. Shaft	1	
7	GU19927700	Intermediate gear holding tool	1	