



PIAGGIO & C.s.p.a.



SPARE PARTS CATALOGUE



V7 Classic 750 2008-2012

Chassis prefix: ZGULW000, ZGULWC00, ZGULWJ00

Engine prefix:



Index

Finished products.....	4
Alphanumeric index.....	5
FRAME.....	11
Table 33.01 - Frame I.....	11
Table 33.02 - Frame II.....	12
Table 33.03 - Lateral stand.....	13
Table 33.04 - Front footrests.....	14
Table 33.05 - Rear footrests.....	15
Table 33.06 - Gear lever.....	16
Table 33.07 - Front fork I.....	17
Table 33.08 - Fron fork II.....	18
Table 33.11 - Rear shock absorber.....	21
Table 33.12 - Fuel tank.....	22
Table 33.13 - Front body - Front mudguard.....	24
Table 33.14 - Saddle-Central bod.....	25
Table 33.15 - Rear body I- Mudguard.....	26
Table 33.16 - Rear body II- Plate holder.....	27
Table 33.17 - Dashboard.....	28
Table 33.18 - Handlebar - Controls.....	29
Table 33.19 - Front brake system.....	30
Table 33.21 - Fuel pump.....	31
Table 33.22 - Air box.....	32
Table 33.23 - Exhaust unit.....	34
Table 33.24 - Front wheel I.....	36
Table 33.25 - Rear wheel I.....	37
Table 33.26 - Rear master cylinder.....	38
Table 33.27 - Rear brake caliper.....	39
Table 33.28 - Front lights.....	40
Table 33.29 - Rear lights.....	42
Table 33.30 - Electrical system I.....	43
Table 33.31 - Electrical system II.....	44
Table 33.32 - Lock hardware kit.....	46
Table 33.33 - Decal and plate set.....	47
Table 33.48 - Fuel vapour recover system.....	49
ENGINE.....	50
Table 34.09 - Transmission complete I.....	50
Table 34.10 - Transmission complete II.....	51
Table 34.20 - Fuel supply.....	54
Table 34.34 - Crank-case.....	55
Table 34.35 - Timing system cover.....	57
Table 34.36 - Cylinder head.....	58
Table 34.37 - Crankshaft cpl.....	59
Table 34.38 - Timing system.....	60



Table 34.39 - Oil pump.....	62
Table 34.40 - Clutch I.....	64
Table 34.41 - Clutch II.....	65
Table 34.42 - Transmission cage.....	66
Table 34.43 - Gear box.....	67
Table 34.44 - Gear box selector.....	69
Table 34.45 - Generator - Regulator.....	70
Table 34.46 - Starter motor.....	71
Table 34.47 - Throttle body.....	72
SPECIAL TOOLS.....	73
Table 36.49 - Specific tools I.....	73
Table 36.50 - Specific tools II.....	74
Table 36.51 - Specific tools III.....	75



Finished products

Code	Validity
GU9032176AU800	
GU9032176AU801	
GU9032176AU802	
GU9032176CAB00	
GU9032176CAB02	
GU9032176CAB03	
GU9032176CAC00	
GU9032176CAC02	
GU9032176CAC03	
GU9032176EU800	
GU9032176EU801	
GU9032176EU802	
GU9032176GB800	
GU9032176GB801	
GU9032176GB802	
GU9032176JP800	
GU9032176JP801	
GU9032176JP802	
GU9032176USB00	
GU9032176USB02	
GU9032176USB03	
GU9032176USC00	
GU9032176USC02	
GU9032176USC03	



Code	No. table	Pos.	Code	No. table	Pos.	Code	No. table	Pos.
0000000	33.24	16	883598	33.33	2	976600	34.34	1
0000000	33.24	17	883665	33.33	16	976603	34.35	1
0000000	33.24	18	883666	33.33	17	976604	34.34	12
0000000	33.25	18	883704	33.23	25	976605	34.42	1
0000000	33.25	19	883709	33.23	11	976606	34.42	17
0000000	33.25	20	883710	33.23	10	976608	34.10	1
2D000006	33.32	10	883735	33.33	8	976685	34.34	16
638733	33.31	5	883736	33.33	9	976939	34.34	28
639542	33.03	8	883737	33.33	10	976940	34.42	21
641541	34.39	8	883802	33.18	10	976941	34.09	1
825727	33.12	8	883852	33.21	5	977024	33.24	10
856062	33.48	7	883868	33.23	1	977088	33.03	1
856063	33.48	6	883869	33.23	2	977308	33.31	19
856064	33.48	11	883904	33.31	19	977308	33.31	19
860138	33.48	10	883911	33.33	8	977527	33.14	6
883003	33.11	1	883912	33.33	9	977527	33.32	4
883011	34.09	11	883913	33.33	10	978323	33.19	15
883015	33.05	13	884198	33.33	8	978323	33.27	20
883019	33.05	12	884199	33.33	9	978385	33.23	12
883039	33.06	1	884200	33.33	10	978415	33.14	8
883051	33.04	1	886944	33.33	20	978415	33.32	9
883052	33.04	2	88701900XR7	33.12	1	978551	33.33	2
883058	33.26	1	88702000XR7	33.14	10	978570	33.18	10
883075	33.18	15	88702100XR7	33.14	17	978750	33.01	1
883077	33.30	1	887022	33.33	18	978751	33.02	1
883077	33.31	1	887023	33.33	19	978752	33.02	2
883161	33.31	12	887024	33.33	16	978757	33.25	11
883180	33.27	6	887025	33.33	17	978761	33.25	1
883182	33.32	1	887093	34.39	9	978928	33.12	1
883185	33.32	3	887878	33.08	1	97892800BM	33.12	1
883191	33.31	11	887879	33.08	2	97892800Y02	33.12	1
883192	33.27	7	887880	33.08	3	978929	33.12	3
883193	33.12	4	887881	33.08	40	978930	33.21	1
883194	33.33	5	887882	33.08	5	978930	34.20	2
883252	33.12	12	887883	33.08	6	978931	33.14	1
883262	33.18	4	887884	33.08	7	978932	33.17	1
883263	33.18	5	887885	33.08	8	978938	34.47	19
883264	33.18	3	887886	33.08	9	978939	34.47	20
883265	34.20	1	887887	33.08	10	97894000BM	33.14	10
883266	33.13	2	887888	33.08	11	97894000Y02	33.14	10
883293	33.23	15	887889	33.08	12	978941	33.14	9
883294	33.23	4	887890	33.08	13	978942	33.14	11
883295	33.14	5	887891	33.08	14	97894300BM	33.14	17
883296	33.27	1	887892	33.08	15	97894300Y02	33.14	17
883297	33.23	13	887893	33.08	16	978944	33.14	16
883298	33.23	14	887894	33.08	17	97894600BM	33.15	1
883303	33.19	13	887895	33.08	18	97894600Y02	33.15	1
883339	33.17	1	887896	33.08	19	978947	33.15	2
883349	33.25	8	887898	33.08	21	978949	33.16	1
883350	33.25	7	887899	33.08	22	978950	33.29	1
883417	33.28	26	887900	33.08	23	978951	33.01	18
883445	33.33	11	887901	33.08	24	978952	33.01	19
883462	33.28	16	887902	33.08	25	978953	33.23	1
883463	33.28	17	887903	33.08	26	978953	33.23	1
883469	33.12	1	887904	33.08	27	978954	33.23	2
88346900BM	33.12	1	887905	33.08	28	978954	33.23	2
88346900Y02	33.12	1	887906	33.08	39	978955	33.23	3
883470	33.16	6	887912	33.08	30	978956	33.23	11
883471	33.03	1	887913	33.08	31	978956	33.23	11
883476	33.32	3	887914	33.08	32	978957	33.23	10
883477	33.32	1	887915	33.08	33	978957	33.23	10
883478	33.28	5	887916	33.08	34	978960	33.18	1
883478	33.29	5	887917	33.08	35	978969	33.26	3
883479	33.29	1	887918	33.08	36	978970	33.26	13
883480	33.16	9	887944	33.12	1	978972	33.08	30
883481	33.33	5	88798700Y02	33.12	1	978973	33.08	31
883569	33.17	11	887989	33.32	1	978974	33.08	19



Code	No. table	Pos.	Code	No. table	Pos.	Code	No. table	Pos.
978976	33.08	21	AP8144081	33.07	5	AP8257742	33.33	15
978977	33.08	29	AP8144146	33.07	3	AP8257794	33.33	14
978978	33.08	4	AP8144538	33.31	7	B06304700XR7	33.12	1
978979	33.07	1	AP8145034	33.04	3	B063645	33.21	1
981070	34.40	8	AP8145035	33.04	10	B063645	34.20	2
981081	33.33	1	AP8149034	33.16	11	B063752	33.21	1
981141	33.33	1	AP8150248	33.16	13	B063752	34.20	2
AP8101594	33.26	20	AP8150349	33.17	10	GU00823923140	33.03	7
AP8101595	33.12	15	AP8150349	33.32	6	GU00823923140	33.22	32
AP8101861	33.05	7	AP8150413	33.22	3	GU00823923140	33.48	22
AP8102159	33.22	25	AP8150421	33.31	33	GU00823931055	33.28	25
AP8102239	33.22	30	AP8150436	33.02	12	GU00823931070	33.12	17
AP8102375	33.01	12	AP8150450	33.14	12	GU00823944050	33.12	16
AP8102375	33.14	15	AP8152166	34.44	15	GU00823950050	33.26	21
AP8102375	33.26	19	AP8152220	33.02	11	GU01103860	33.01	13
AP8102375	33.31	15	AP8152268	33.16	12	GU01106090	33.21	2
AP8102524	33.03	4	AP8152273	34.20	3	GU01108490	33.21	4
AP8102678	33.48	1	AP8152277	33.04	7	GU01528930	34.10	9
AP8102688	33.48	2	AP8152277	33.05	8	GU01530568	33.08	6
AP8102766	33.22	10	AP8152277	33.19	3	GU01530571	33.08	9
AP8102766	33.48	21	AP8152277	33.31	23	GU01609630	33.18	14
AP8102913	33.14	3	AP8152278	33.11	2	GU01654630	33.19	17
AP8104242	33.22	8	AP8152278	33.15	3	GU01659130	33.19	11
AP8104251	33.22	24	AP8152278	33.28	13	GU01659131	33.19	12
AP8104525	33.22	13	AP8152279	33.15	9	GU01665410	33.26	25
AP8113241	33.26	22	AP8152281	34.45	12	GU01721600	33.30	13
AP8113288	33.26	16	AP8152286	33.04	12	GU01744200	33.28	18
AP8113553	33.26	23	AP8152286	33.24	11	GU02107100	33.12	11
AP8120116	33.48	8	AP8152287	33.02	13	GU03013800	33.06	7
AP8120246	34.09	10	AP8152288	33.02	15	GU03013800	33.23	8
AP8120615	33.22	14	AP8152289	33.02	15	GU03013800	34.47	10
AP8120708	33.30	10	AP8152291	33.12	9	GU03067730	34.10	19
AP8120772	33.22	11	AP8152298	34.47	6	GU03101600	33.12	7
AP8120870	33.23	24	AP8152299	33.15	15	GU03101720	33.12	5
AP8120876	33.22	23	AP8152299	33.27	22	GU03101900	33.12	3
AP8120952	33.22	1	AP8152299	33.48	5	GU03102200	33.12	6
AP8120965	33.12	13	AP8152300	33.02	14	GU03102400	33.12	2
AP8120965	33.48	17	AP8152300	33.27	13	GU03103200	33.12	8
AP8121014	33.03	3	AP8152302	33.01	17	GU03103500	33.12	4
AP8121032	33.17	7	AP8152306	33.16	5	GU03121955	33.23	25
AP8121072	33.23	22	AP8152329	33.15	11	GU03163330	33.31	3
AP8121133	33.05	6	AP8152329	33.22	18	GU03270300	33.15	7
AP8121307	33.07	4	AP8152329	33.22	22	GU03270300	33.26	11
AP8121367	33.02	10	AP8152329	33.31	20	GU03270300	33.27	10
AP8121375	33.03	2	AP8152329	33.31	8	GU03530529	33.08	2
AP8121420	33.14	7	AP8152339	33.14	14	GU03530530	33.08	1
AP8121420	33.32	8	AP8152339	34.36	25	GU03530551	33.08	12
AP8121607	33.03	2	AP8152385	33.19	16	GU03604845	33.19	8
AP8121915	33.19	14	AP8152409	33.04	9	GU03605645	33.19	9
AP8121915	33.27	8	AP8152409	33.05	9	GU03609600	33.18	14
AP8124266	33.31	24	AP8157100	33.33	12	GU03631250	33.24	4
AP8124528	33.31	22	AP8201358	33.22	2	GU03631250	33.25	9
AP8124718	33.16	7	AP8201358	33.48	23	GU03658201	33.27	16
AP8124869	33.31	28	AP8212588	33.30	11	GU03658330	33.27	17
AP8124936	33.30	2	AP8213028	33.18	23	GU03658330	33.48	12
AP8127346	33.31	17	AP8213057	33.26	15	GU03658430	33.27	14
AP8133643	33.26	14	AP8213388	33.18	24	GU03660145	33.19	1
AP8134378	33.23	18	AP8220283	33.31	29	GU03661145	33.19	6
AP8134448	33.16	2	AP8220460	33.07	6	GU03664045	33.19	7
AP8134451	33.05	5	AP8220546	33.31	27	GU03717450	33.30	8
AP8134829	33.04	8	AP8221114	33.48	16	GU03740930	33.29	2
AP8134829	33.05	4	AP8221128	33.12	12	GU03744760	33.28	19
AP8144007	33.26	4	AP8221197	33.03	5	GU03749845	33.19	5
AP8144038	33.22	31	AP8221277	33.04	6	GU03922280	34.09	23
AP8144046	33.31	25	AP8224164	33.16	3	GU04000500	34.34	10
AP8144071	33.23	16	AP8224462	33.31	30	GU05107430	33.21	3
AP8144071	34.36	23	AP8257609	33.33	13	GU05659230	33.19	10



Code	No. table	Pos.	Code	No. table	Pos.	Code	No. table	Pos.
GU05730730	34.46	1	GU19025280	33.23	5	GU19355408	34.10	21
GU05781630	33.07	7	GU19025300	34.36	6	GU19355410	34.10	21
GU05900130	33.33	6	GU19025460	33.23	6	GU19355411	34.10	21
GU06740200	33.28	12	GU19027500	34.38	15	GU19355412	34.10	21
GU06740400	33.28	27	GU19030500	34.38	7	GU19355413	34.10	21
GU06740500	33.28	2	GU19032080	34.38	10	GU19356700	34.10	30
GU06740501	33.28	2	GU19032980	34.36	17	GU19356760	34.41	16
GU06751600	33.28	5	GU19032980	34.38	14	GU19356801	34.10	28
GU06751600	33.29	5	GU19034000	34.38	8	GU19357660	34.10	25
GU10054100	34.43	12	GU19037820	34.36	8	GU19547000	34.09	12
GU10214300	34.43	27	GU19045861	34.38	25	GU19902500	36.51	1
GU10214301	34.43	27	GU19055700	34.38	23	GU19905460	36.50	1
GU10214302	34.43	27	GU19058021	34.38	19	GU19905900	36.50	2
GU10214303	34.43	27	GU19058220	34.38	20	GU19906500	36.50	3
GU10214304	34.43	27	GU19061063	34.37	12	GU19907000	36.49	4
GU10214305	34.43	27	GU19062261	34.37	4	GU19907100	36.49	11
GU10528900	34.34	15	GU19065400	34.37	2	GU19907160	36.50	4
GU10528900	34.40	13	GU19067700	34.37	18	GU19911800	36.50	5
GU10528900	34.42	23	GU19083462	34.40	2	GU19926000	36.49	3
GU10907200	36.50	11	GU19146422	34.39	1	GU19926020	36.50	6
GU12003702	34.34	20	GU19149800	34.39	18	GU19926100	36.49	1
GU12022600	34.10	6	GU19152200	34.39	11	GU19926200	36.49	6
GU12022600	34.42	24	GU19201120	34.42	15	GU19926300	36.51	2
GU12087001	34.41	9	GU19202320	34.42	9	GU19926400	36.49	7
GU12154200	34.34	23	GU19203460	34.40	11	GU19926460	36.51	3
GU12154200	34.42	12	GU19206501	34.10	10	GU19926500	36.49	8
GU12912000	36.50	12	GU19207220	34.42	11	GU19927100	36.50	13
GU13021900	34.34	26	GU19212900	34.43	15	GU19927200	36.51	4
GU13021900	34.36	12	GU19213720	34.43	17	GU19927202	36.51	5
GU14086000	34.41	10	GU19213760	34.41	15	GU19927220	36.50	7
GU14086100	34.41	7	GU19214660	34.43	11	GU19927300	36.51	6
GU14090201	34.41	1	GU19215460	34.43	3	GU19927320	36.50	8
GU14090400	34.41	2	GU19234600	34.44	2	GU19927500	36.49	5
GU14217901	34.40	6	GU19237800	34.42	13	GU19927600	36.49	9
GU14217901	34.42	7	GU19327601	34.09	5	GU19927700	36.51	7
GU14217901	34.44	17	GU19328801	34.09	3	GU19927800	36.50	9
GU14251001	33.06	2	GU19350700	34.10	22	GU19927900	36.49	10
GU14251001	33.26	2	GU19351100	34.10	4	GU19928800	36.49	2
GU14609650	33.30	17	GU19351900	34.10	2	GU19929400	36.50	10
GU14609650	33.31	34	GU19352300	34.10	23	GU19929600	36.50	14
GU14609650	33.48	24	GU19353500	34.10	24	GU20036020	34.38	1
GU14615901	33.05	15	GU19355200	34.10	35	GU20036120	34.38	2
GU14615901	33.13	5	GU19355202	34.10	36	GU20085720	34.41	13
GU14615901	34.09	20	GU19355300	34.10	33	GU20147710	34.39	17
GU14615901	34.36	26	GU19355301	34.10	33	GU20147810	34.39	3
GU14615901	34.37	5	GU19355302	34.10	33	GU20148410	34.39	4
GU14616150	33.24	15	GU19355303	34.10	33	GU20148610	34.39	5
GU14616150	33.25	10	GU19355304	34.10	33	GU20208520	34.44	9
GU14717600	33.30	7	GU19355305	34.10	33	GU20258221	33.06	9
GU17718350	33.30	6	GU19355306	34.10	33	GU20352421	34.10	31
GU18144350	34.39	16	GU19355307	34.10	33	GU20355121	34.10	34
GU18161150	34.39	21	GU19355308	34.10	33	GU23200370	34.42	10
GU18257551	33.26	8	GU19355309	34.10	33	GU23204471	34.40	21
GU19001200	34.35	2	GU19355320	34.10	27	GU23204571	34.40	22
GU19002020	34.35	5	GU19355321	34.10	27	GU23211372	34.43	8
GU19002020	34.42	16	GU19355322	34.10	27	GU23217800	34.38	3
GU19003602	34.34	13	GU19355323	34.10	27	GU23328081	34.09	7
GU19003800	34.34	8	GU19355324	34.10	27	GU23548080	34.09	8
GU19007700	34.35	10	GU19355325	34.10	27	GU23548180	34.09	9
GU19007700	34.45	8	GU19355326	34.10	27	GU23922210	33.17	12
GU19015020	34.34	5	GU19355327	34.10	27	GU23943410	33.08	36
GU19016320	34.34	9	GU19355328	34.10	27	GU27001136	34.35	7
GU19017000	33.02	4	GU19355329	34.10	27	GU27004985	34.34	18
GU19018920	34.39	10	GU19355400	34.10	21	GU27020820	34.37	21
GU19021360	34.36	18	GU19355402	34.10	21	GU27022060	34.36	19
GU19021920	34.36	7	GU19355404	34.10	21	GU27037521	34.38	4
GU19023700	34.36	10	GU19355406	34.10	21	GU27060860	34.37	15



Code	No. table	Pos.	Code	No. table	Pos.	Code	No. table	Pos.
GU27061286	34.37	13	GU31615260	33.24	6	GU32231210	34.44	4
GU27061385	34.37	14	GU31616384	33.24	12	GU32233010	34.44	6
GU27061585	34.37	3	GU31634281	33.27	4	GU32234110	34.44	13
GU27061885	34.37	17	GU31634481	33.25	15	GU32234410	34.44	1
GU27062060	34.37	6	GU31654681	33.27	2	GU32234710	34.44	11
GU27065660	34.37	7	GU31659181	33.27	11	GU32234810	34.44	12
GU27066460	34.37	9	GU31659281	33.27	12	GU32234910	34.44	16
GU27066560	34.37	8	GU31712365	34.45	9	GU32235710	34.44	14
GU27152885	34.34	22	GU31717061	33.30	9	GU32236210	34.44	8
GU27153085	34.39	14	GU31740383	33.28	11	GU32238210	34.44	10
GU27210760	34.41	12	GU32001610	34.35	6	GU32256910	33.06	4
GU27530505	33.08	26	GU32022110	34.36	1	GU32257810	33.06	8
GU27530506	33.08	27	GU32022210	34.36	2	GU32350410	34.10	13
GU27530510	33.08	22	GU32023410	34.36	24	GU32351410	34.10	16
GU27530584	33.08	7	GU32023660	34.36	9	GU32354610	34.10	18
GU27633910	33.25	4	GU32032310	34.38	11	GU32418210	33.31	6
GU28157950	33.48	20	GU32051710	34.38	27	GU32418260	33.01	4
GU28252060	33.02	8	GU32053410	34.38	16	GU32431310	33.02	9
GU28576591	33.15	4	GU32054510	34.38	17	GU32432711	33.03	11
GU28576591	33.23	20	GU32060110	34.37	19	GU32433011	33.03	6
GU28576591	33.28	20	GU32060210	34.37	10	GU32434460	33.13	1
GU28576591	34.45	13	GU32060610	34.37	16	GU32434462	33.13	1
GU28742560	33.31	16	GU32060710	34.37	11	GU32439260	33.48	3
GU28742562	33.31	18	GU32064110	34.37	1	GU32441210	33.04	5
GU29108550	33.48	19	GU32067910	34.40	5	GU32441210	33.05	3
GU29217960	34.45	7	GU32080310	34.40	1	GU32442310	33.05	1
GU29711460	34.45	5	GU32084410	34.40	4	GU32442710	33.05	10
GU29711960	34.45	11	GU32103060	33.21	5	GU32443210	33.04	4
GU29729461	33.31	2	GU32103961	33.32	3	GU32443210	33.05	2
GU29732550	33.31	26	GU32106560	34.20	1	GU32443211	33.04	11
GU29759150	33.18	17	GU32110110	33.22	16	GU32443211	33.05	11
GU30027931	33.31	32	GU32112510	34.47	1	GU32457810	33.01	11
GU30103730	33.12	14	GU32112610	34.47	16	GU32461610	33.14	2
GU30103730	33.48	18	GU32112611	34.47	17	GU32504210	33.08	35
GU30512830	33.08	23	GU32113410	33.22	17	GU32506360	33.28	1
GU30525861	33.08	11	GU32113510	33.22	5	GU32517710	33.31	9
GU30526761	33.08	5	GU32114011	33.22	12	GU32525410	33.08	10
GU30576100	33.22	19	GU32114012	33.22	15	GU32526310	33.08	16
GU30577800	33.29	13	GU32114110	33.22	9	GU32526610	33.08	15
GU30577800	34.47	22	GU32114310	34.47	14	GU32530501	33.08	8
GU30601060	33.18	25	GU32114410	33.22	7	GU32530502	33.08	13
GU30602500	33.18	22	GU32115010	34.47	3	GU32530503	33.08	14
GU30714201	34.45	3	GU32115011	34.47	8	GU32530504	33.08	28
GU30716500	33.30	3	GU32115210	33.48	9	GU32530505	33.08	34
GU30729330	33.31	31	GU32115510	34.47	7	GU32530506	33.08	24
GU30970200	33.33	7	GU32115710	34.47	4	GU32530508	34.47	2
GU31003766	34.10	8	GU32116910	33.22	4	GU32530509	34.47	5
GU31003766	34.34	14	GU32121010	33.23	7	GU32530610	33.08	37
GU31003766	34.40	19	GU32137060	33.18	13	GU32530611	33.08	38
GU31003766	34.42	26	GU32159310	33.22	26	GU32555210	33.11	4
GU31016050	34.39	20	GU32159610	33.22	28	GU32555211	33.11	5
GU31037015	34.38	13	GU32202010	34.43	28	GU32575960	33.01	16
GU31038015	34.38	5	GU32206510	34.42	22	GU32602860	33.18	9
GU31045015	34.38	26	GU32208210	34.42	8	GU32603010	33.18	16
GU31112965	33.22	33	GU32210510	34.43	1	GU32603310	33.18	7
GU31121880	33.23	9	GU32211110	34.43	9	GU32605510	33.18	2
GU31150950	34.39	26	GU32211410	34.43	6	GU32610360	33.24	1
GU31159050	34.39	15	GU32211810	34.43	5	GU32610860	33.24	5
GU31327783	34.09	2	GU32212011	34.43	2	GU32611660	33.24	3
GU31438765	33.15	12	GU32213610	34.43	14	GU32613160	33.24	2
GU31439565	33.13	4	GU32213810	34.42	5	GU32615660	33.24	14
GU31504583	33.08	17	GU32214010	34.43	24	GU32632510	33.25	17
GU31513480	33.08	20	GU32214510	34.43	20	GU32633360	33.25	14
GU31544181	34.09	15	GU32214810	34.43	21	GU32633560	34.10	11
GU31547882	34.09	14	GU32215010	34.43	22	GU32634160	33.27	5
GU31613381	33.25	12	GU32215210	34.43	23	GU326358601	33.27	3
GU31614183	33.24	9	GU32231010	34.44	5			



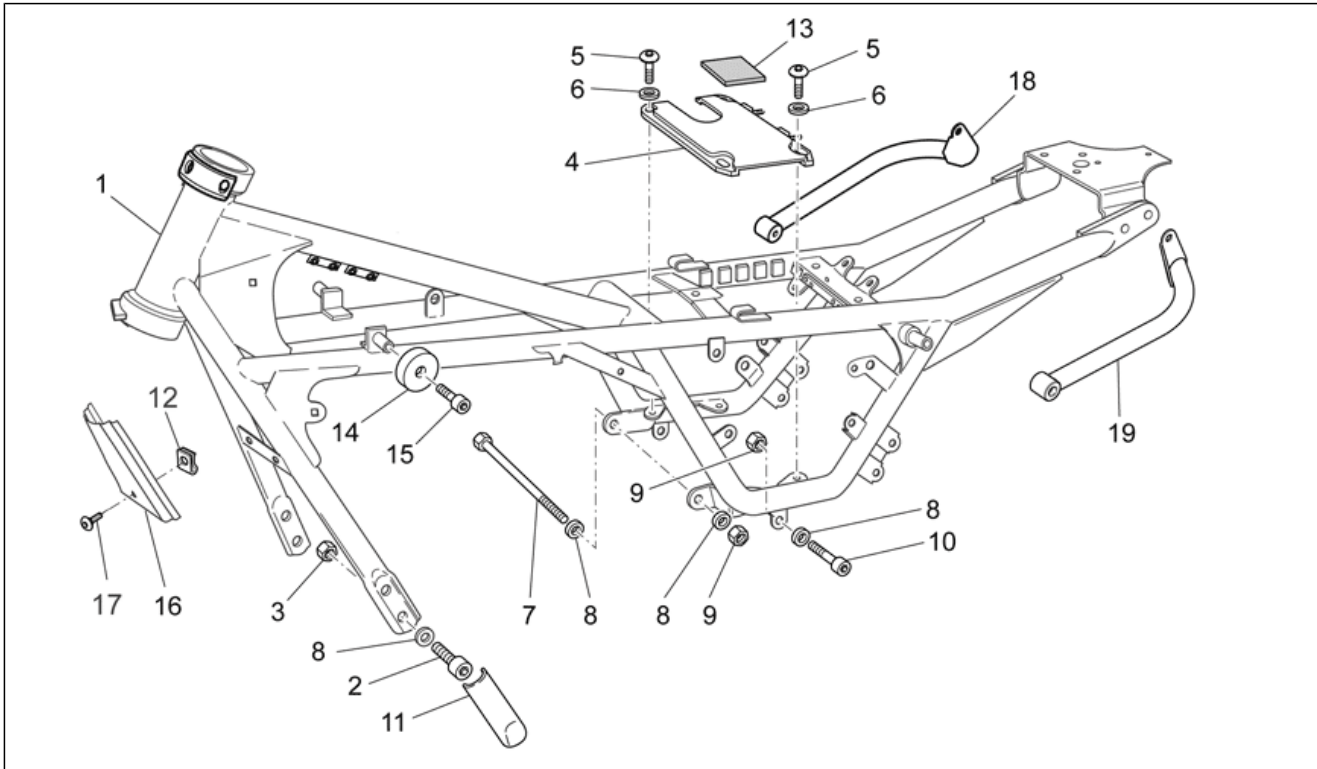
Code	No. table	Pos.	Code	No. table	Pos.	Code	No. table	Pos.
GU32636160	33.25	21	GU90407591	34.10	15	GU92787006	33.28	6
GU32657110	33.19	2	GU90706076	34.34	29	GU92787006	33.29	11
GU32692260	33.25	2	GU90706111	34.39	22	GU92787008	33.15	8
GU32703810	34.45	2	GU90706140	34.42	4	GU92787008	34.09	19
GU32712411	34.45	1	GU90706141	33.30	16	GU93110060	33.15	13
GU32718010	34.47	18	GU90706170	34.41	8	GU93180105	34.09	21
GU32724510	33.30	12	GU90706188	34.10	29	GU93180111	33.24	13
GU32727010	33.23	21	GU90706188	34.43	18	GU93180220	34.40	9
GU32735510	33.32	5	GU90706203	34.10	7	GU93180245	34.36	22
GU32735511	33.32	5	GU90706203	34.42	25	GU93222023	33.17	4
GU32738810	33.18	6	GU90706235	34.41	14	GU93231605	33.29	14
GU32747910	33.31	10	GU90706281	34.34	19	GU93231605	34.47	23
GU32750660	33.28	4	GU90706444	34.34	17	GU93301175	33.23	26
GU32750660	33.29	4	GU90706584	34.10	37	GU93301313	33.48	15
GU32750661	33.28	4	GU90714082	33.22	27	GU93305057	34.47	13
GU32750661	33.29	4	GU91113826	33.23	23	GU93305061	33.22	6
GU32753410	33.28	3	GU91120806	33.15	6	GU93305061	34.47	15
GU32753410	33.29	8	GU91180601	33.15	10	GU93450105	33.28	9
GU32753711	33.28	14	GU91181003	33.18	11	GU93450126	33.28	15
GU32753711	33.29	6	GU91181003	33.19	18	GU93450126	33.29	7
GU32753760	33.28	14	GU91181039	33.08	25	GU93450127	33.28	15
GU32753760	33.29	6	GU91551010	33.22	20	GU93450127	33.29	7
GU32766810	33.17	11	GU91551086	33.14	13	GU93450224	33.29	3
GU32768710	34.39	8	GU91551131	33.12	11	GU93450232	33.28	10
GU32768810	34.39	9	GU91600450	34.45	10	GU94321074	33.18	12
GU32781910	33.16	10	GU92201070	34.10	14	GU94321079	34.39	24
GU32782510	33.17	8	GU92201120	34.42	20	GU94321099	34.09	6
GU32782510	33.32	2	GU92201220	34.43	16	GU94321105	34.41	4
GU32909960	33.33	4	GU92201225	34.40	10	GU95004210	33.31	4
GU32944310	33.33	3	GU92204215	34.42	2	GU95005306	33.17	3
GU32999010	34.34	25	GU92204217	33.25	5	GU95005308	33.28	23
GU32999510	34.34	24	GU92204218	33.25	3	GU95005308	34.09	22
GU35214300	34.09	13	GU92204221	33.24	7	GU95005310	33.26	5
GU39094200	33.18	18	GU92218417	34.43	10	GU95005311	33.26	9
GU39238100	34.43	25	GU92230320	34.43	13	GU95005311	33.48	4
GU49609601	33.30	17	GU92234716	34.43	26	GU95005312	33.12	10
GU49609601	33.31	34	GU92249220	34.10	32	GU95005330	33.11	3
GU53429500	33.02	3	GU92249225	33.07	2	GU95008204	33.30	5
GU61027200	34.37	20	GU92249227	34.10	20	GU95008205	33.30	15
GU61036801	34.36	3	GU92251028	34.43	7	GU95008206	34.39	23
GU61038100	34.38	6	GU92252210	34.39	2	GU95008208	33.01	6
GU61054900	34.38	18	GU92252235	34.10	5	GU95008208	34.46	3
GU61108500	33.22	29	GU92296723	34.39	6	GU95008210	33.01	8
GU61270300	34.10	26	GU92602406	34.38	9	GU95008210	33.02	6
GU61270300	34.34	6	GU92602510	34.39	19	GU95008210	34.09	17
GU61270300	34.36	21	GU92603010	34.36	11	GU95008305	33.18	20
GU61270300	34.40	17	GU92606206	33.17	6	GU95008306	33.19	20
GU66103415	33.01	14	GU92606208	34.34	7	GU95008306	33.27	21
GU66530505	33.08	32	GU92606208	34.40	18	GU95020105	33.03	10
GU90271018	34.38	12	GU92606210	33.01	9	GU95021104	33.19	19
GU90271117	34.43	29	GU92606210	33.02	5	GU95021105	33.18	21
GU90271121	34.43	19	GU92606210	33.11	7	GU95021206	33.17	5
GU90271124	34.43	4	GU92606210	34.09	18	GU95021206	33.28	8
GU90272023	34.09	4	GU92606316	33.25	16	GU95021206	33.29	10
GU90272075	34.40	3	GU92606508	34.41	3	GU95100059	33.22	21
GU90274026	34.44	3	GU92606512	34.42	14	GU95100059	33.26	24
GU90353009	34.36	4	GU92606516	34.45	4	GU95100059	33.31	14
GU90353029	34.38	24	GU92609007	33.26	12	GU95100116	34.47	12
GU90353030	34.10	17	GU92630104	33.27	19	GU95100125	34.45	14
GU90400616	34.41	11	GU92630104	33.48	14	GU95100141	33.15	14
GU90402538	33.25	6	GU92630204	33.16	8	GU95100141	33.28	24
GU90402642	33.24	8	GU92630206	33.26	6	GU95100244	34.38	29
GU90402841	34.42	3	GU92630310	33.03	6	GU95100309	34.39	27
GU90402842	34.35	9	GU92630510	33.01	3	GU95100602	34.39	25
GU90403246	34.40	20	GU92630707	33.06	5	GU95100709	34.34	21
GU90403251	34.10	38	GU92640508	33.23	19	GU95129101	33.31	21
GU90403549	34.10	3	GU92660021	33.26	7	GU95129115	34.38	22



Code	No. table	Pos.
GU95129180	34.34	27
GU95129180	34.36	13
GU95129181	33.11	6
GU95129260	33.06	3
GU95187006	34.39	13
GU95500221	33.26	10
GU95500222	34.41	6
GU95780271	34.41	5
GU96451316	33.27	15
GU96451430	34.34	3
GU96451560	34.34	2
GU96506042	34.36	5
GU96508055	34.10	12
GU96508055	34.34	4
GU96508145	34.36	20
GU96510181	34.36	15
GU96510214	34.36	14
GU97202325	33.18	26
GU97202435	33.27	9
GU97270212	34.47	24
GU973221100027	34.47	25
GU98052560	33.08	33
GU98054422	34.38	28
GU98082435	34.46	2
GU98082565	33.02	7
GU98084314	34.39	12
GU98084314	34.40	12
GU98084316	34.40	7
GU98110199	33.01	7
GU98210612	33.23	27
GU98230510	33.16	4
GU98230510	33.18	19
GU98257410	33.27	18
GU98257410	33.48	13
GU98310609	34.47	11
GU98350215	33.29	12
GU98350312	34.44	7
GU98350416	33.01	5
GU98350440	33.13	3
GU98370412	33.19	4
GU98370515	34.47	21
GU98370609	33.17	2
GU98370625	33.14	4
GU98370625	33.26	17
GU98370655	33.28	7
GU98370655	33.29	9
GU98370831	33.15	5
GU98370831	33.28	22
GU98612216	33.03	9
GU98620330	33.08	3
GU98620335	34.39	7
GU98620540	33.08	18
GU98632322	33.06	6
GU98680125	33.30	4
GU98680265	34.45	6
GU98680330	34.35	4
GU98680335	34.35	8
GU98680335	34.42	27
GU98680435	34.40	15
GU98680435	34.42	19
GU98680440	33.23	17
GU98680450	34.40	16
GU98680545	34.09	16
GU98680555	33.01	10
GU98682212	33.30	14
GU98682212	33.31	13
GU98682215	33.26	18

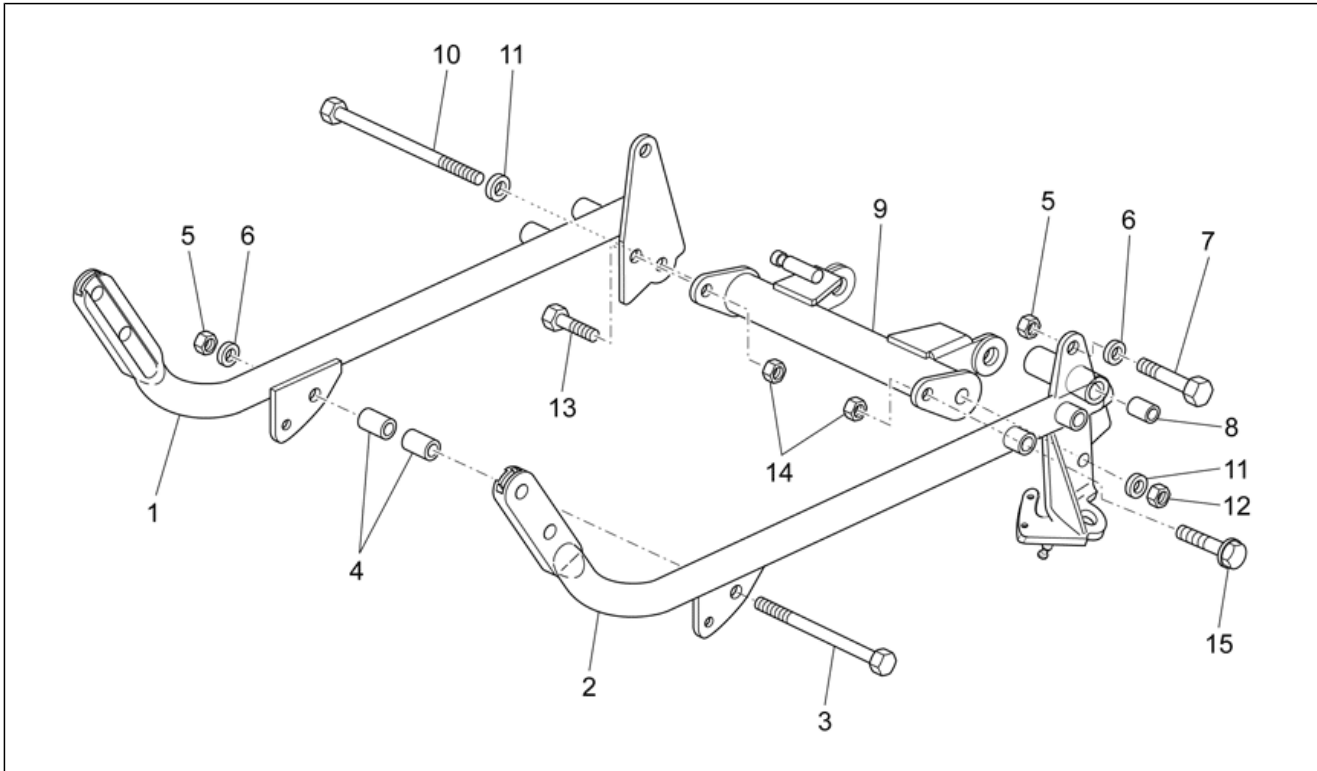
Code	No. table	Pos.
GU98682314	34.42	6
GU98682322	34.47	9
GU98682325	34.34	11
GU98682325	34.35	3
GU98682330	34.40	14
GU98682330	34.42	18
GU98682414	33.01	15
GU98682416	33.05	14
GU98682416	33.17	9
GU98682416	33.32	7
GU98682425	33.25	13
GU98682530	33.01	2
GU98690335	33.11	8
GU98690335	33.18	8
GU98692325	34.36	16
GU98880540	33.28	21
GU98882316	34.38	21

Group	FRAME
Code	33.01
Description	Frame I
Service	1



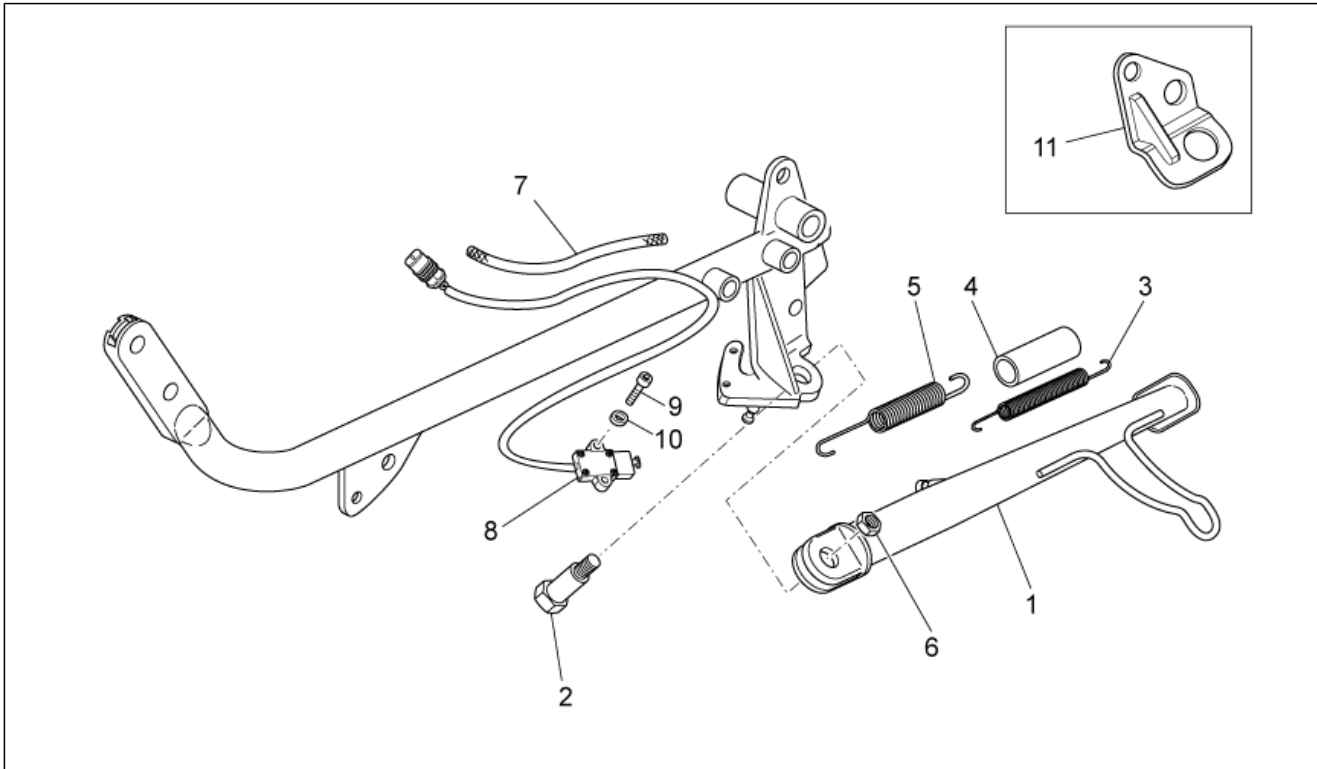
Pos.	Code	Description	Qty	Variants
1	978750	Frame assy black	1	
2	GU98682530	Hex socket screw M10x30	4	
3	GU92630510	Nut M10x1,5	4	
4	GU32418260	Plate	1	
5	GU98350416	Hex socket screw M8x16	4	
6	GU95008208	Washer 8,4X15X1,5	4	
7	GU98110199	Pin M10x205	1	
8	GU95008210	Washer 10,2X18X2	11	
9	GU92606210	Nut M10x1,5	3	
10	GU98680555	screw M10x55	2	
11	GU32457810	Guard	2	
12	AP8102375	Clip m5	1	
13	GU01103860	Vibration-damping rubber	1	
14	GU66103415	Rubber spacer	2	
15	GU98682414	Hex socket screw	2	
16	GU32575960	Protection	1	
17	AP8152302	Screw w/ flange M5x12	1	
18	978951	RH handle	1	
19	978952	left handle	1	

Group	FRAME
Code	33.02
Description	Frame II
Service	1



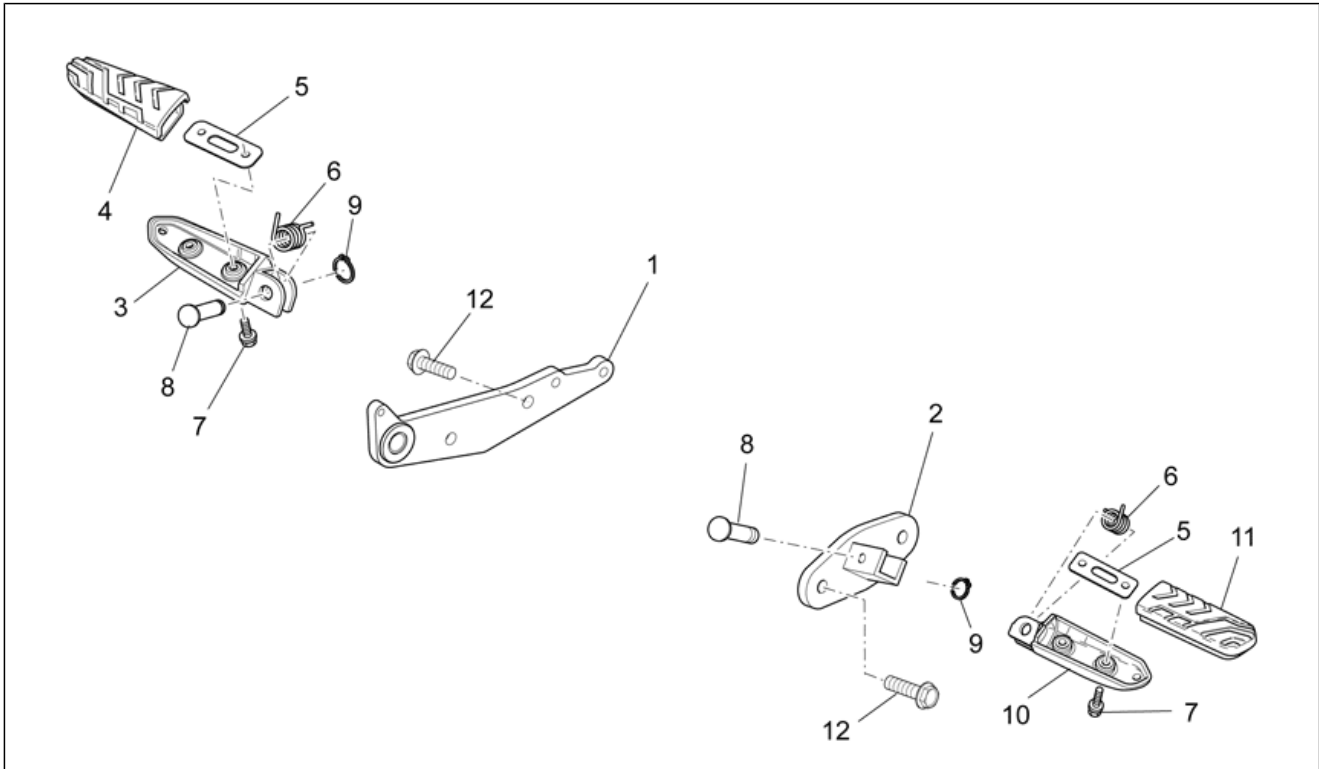
Pos.	Code	Description	Qty	Variants
1	978751	RH arm polished black	1	
2	978752	LH arm polished black	1	
3	GU53429500	Pin M10x250	1	
4	GU19017000	Bushing	2	
5	GU92606210	Nut M10x1,5	3	
6	GU95008210	Washer 10,2X18X2	3	
7	GU98082565	screw M10x65	2	
8	GU28252060	Bush 18 mm est.	2	
9	GU32431310	Cradle arms conn.crosspiece	1	
10	AP8121367	Pin M10x260	1	
11	AP8152220	Washer	2	
12	AP8150436	Low self-locking nut	1	
13	AP8152287	Screw w/ flange M8x25	1	
14	AP8152300	Self-locking nut M8	1	
15	AP8152288	Screw w/ flange	1	Country: Australia[AUS], Other country Europe[EU], Japan[J], Great Britain[UK]
15	AP8152289	Screw w/ flange	1	Country: Canadian[CA], United States of America[USA]

Group	FRAME
Code	33.03
Description	Lateral stand
Service	1



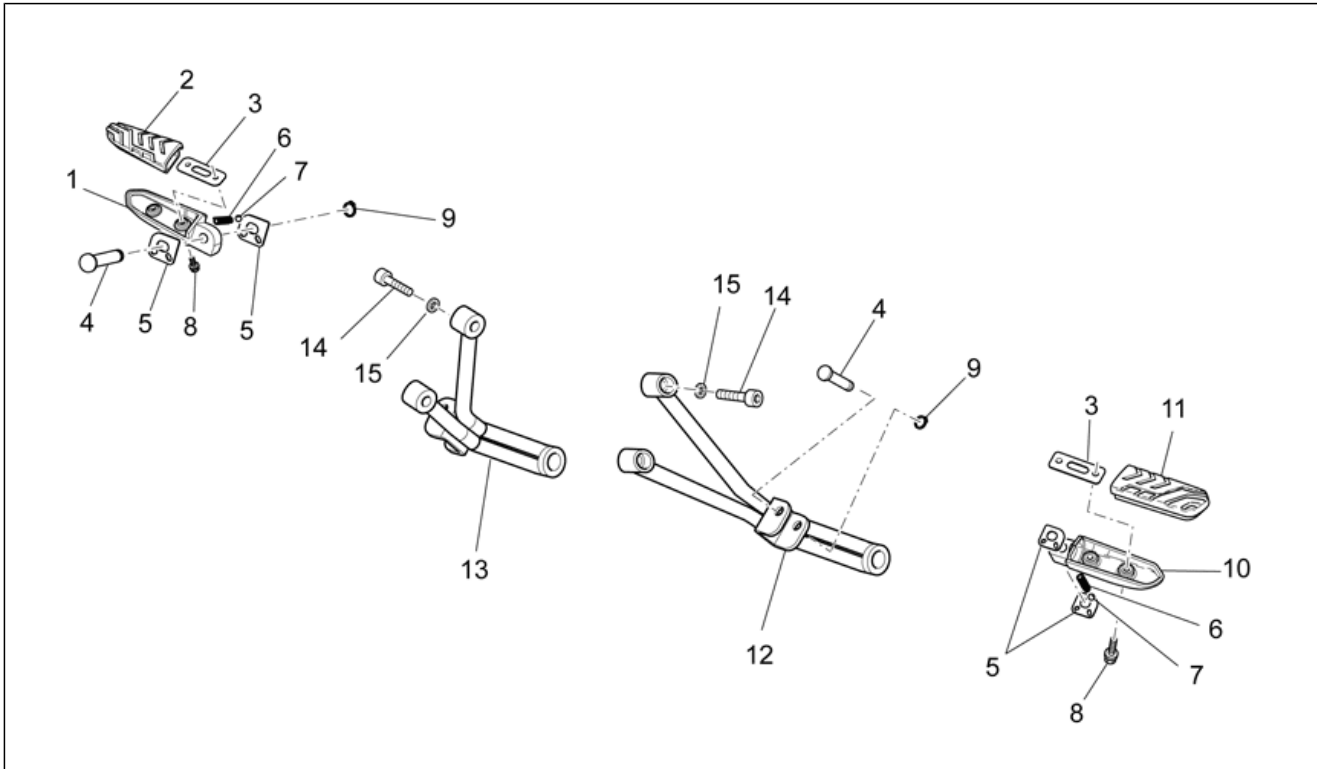
Pos.	Code	Description	Qty	Variants
1	883471	Side arm black	1	Country: Canadian[CA], United States of America[USA]
1	977088	Side arm black	1	Country: Australia[AUS], Other country Europe[EU], Japan[J], Great Britain[UK]
2	AP8121375	Central stand fixing screw	1	Country: Australia[AUS], Other country Europe[EU], Japan[J], Great Britain[UK]
2	AP8121607	Central stand fixing screw	1	Country: Canadian[CA], United States of America[USA]
3	AP8121014	Coil pull spring *	1	
4	AP8102524	Stand spring protection	1	
5	AP8221197	Lateral stand spring	1	
6	GU32433011	Nut	1	Country: Canadian[CA], United States of America[USA]
6	GU92630310	Nut	1	Country: Australia[AUS], Other country Europe[EU], Japan[J], Great Britain[UK]
7	GU00823923140	Thermal sheath	1	
8	639542	Button for the side stand	1	
9	GU98612216	Hex socket screw	2	
10	GU95020105	Washer 5,3x8,9x2,4	2	
11	GU32432711	plate	1	Country: Canadian[CA], United States of America[USA]

Group	FRAME
Code	33.04
Description	Front footrests
Service	1



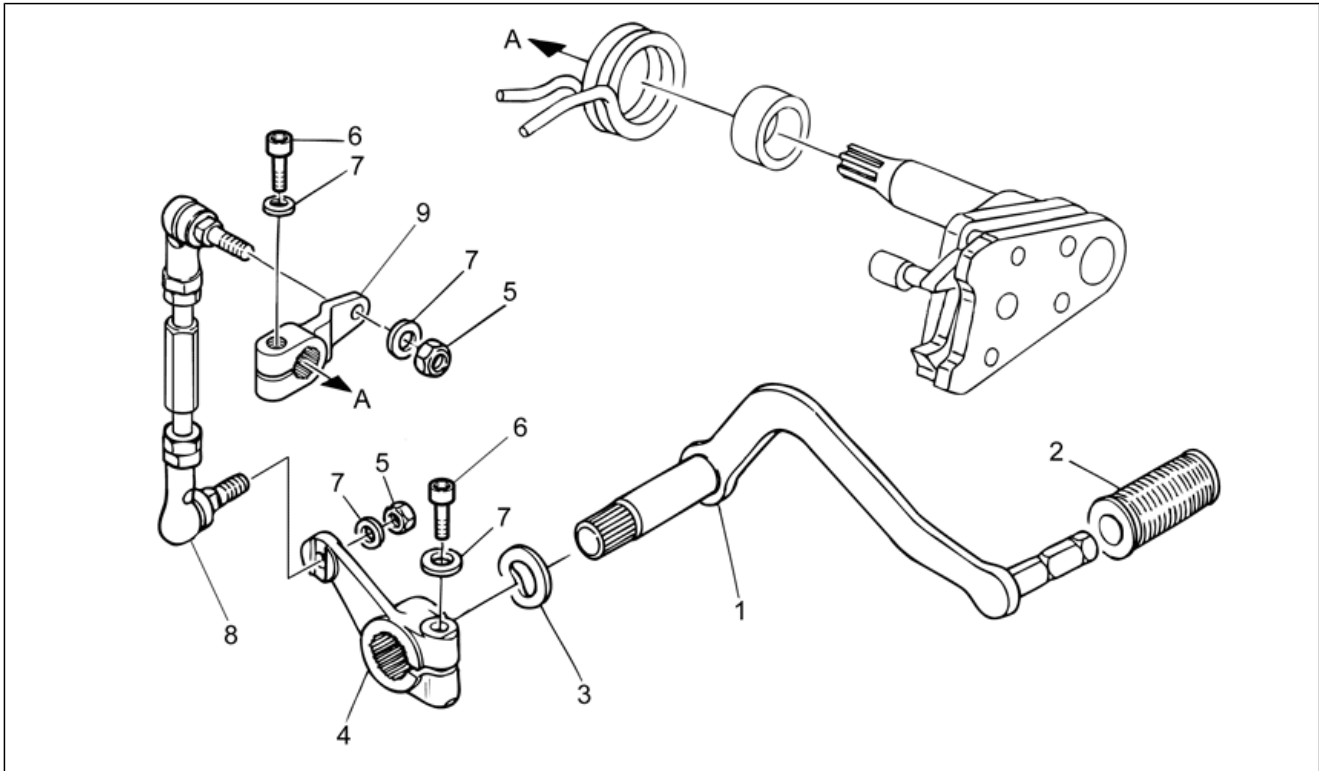
Pos.	Code	Description	Qty	Variants
1	883051	RH foot rest support	1	
2	883052	LH footrest support	1	
3	AP8145034	RH Foot rests	1	
4	GU32443210	Support rubber part	1	
5	GU32441210	Plate	2	
6	AP8221277	Footrest return spring	2	
7	AP8152277	Screw w/ flange M6x12	4	
8	AP8134829	Footrest pin	2	
9	AP8152409	Stop ring	2	
10	AP8145035	LH Foot rests	1	
11	GU32443211	Support rubber part	1	
12	AP8152286	Screw w/ flange M8x20	4	

Group	FRAME
Code	33.05
Description	Rear footrests
Service	1



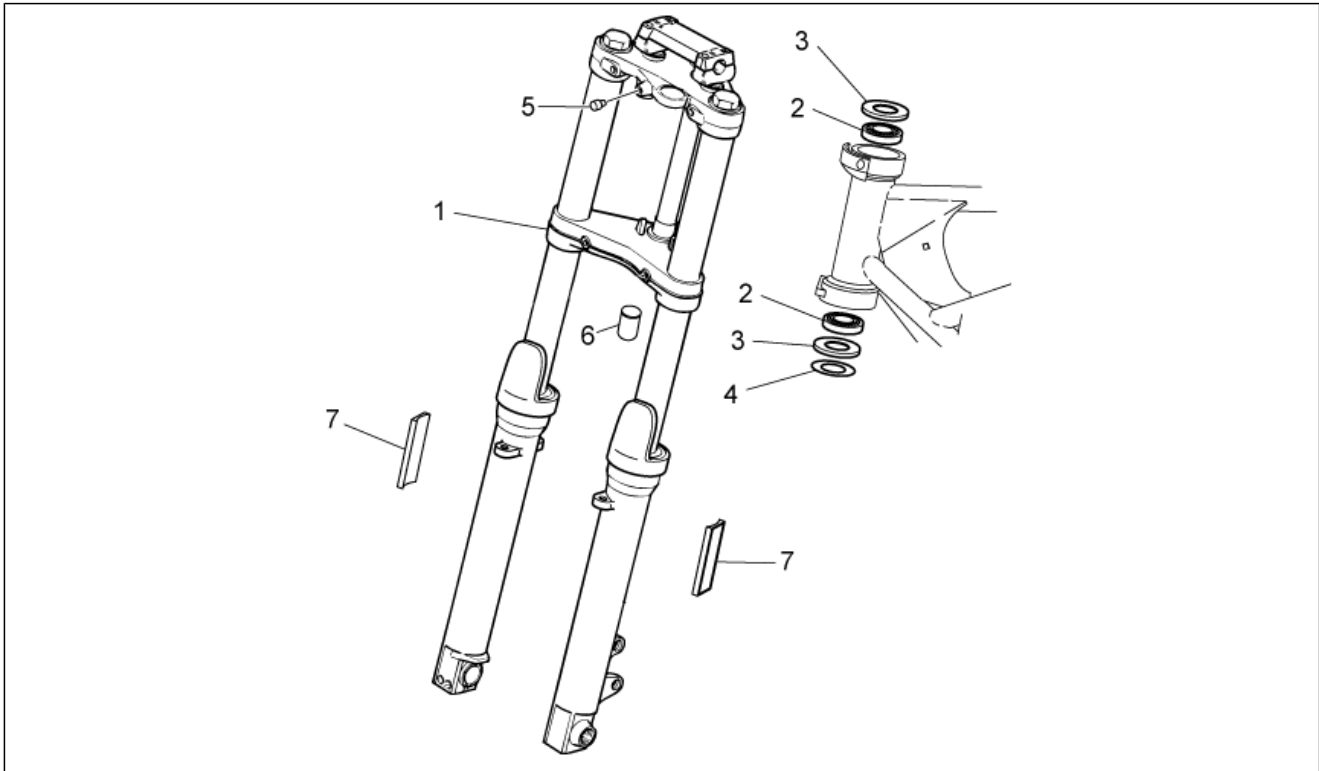
Pos.	Code	Description	Qty	Variants
1	GU32442310	Rear footrest, RH	1	
2	GU32443210	Support rubber part	1	
3	GU32441210	Plate	2	
4	AP8134829	Footrest pin	2	
5	AP8134451	Footrest plate	4	
6	AP8121133	Coil compress. spring	2	
7	AP8101861	Ball D6,35	2	
8	AP8152277	Screw w/ flange M6x12	4	
9	AP8152409	Stop ring	2	
10	GU32442710	Rear footrest, LH	1	
11	GU32443211	Support rubber part	1	
12	883019	LH footrest support	1	
13	883015	RH foot rest support	1	
14	GU98682416	Hex socket screw M8x16	4	
15	GU14615901	Washer 8,4X13X0,8	4	

Group	FRAME
Code	33.06
Description	Gear lever
Service	1



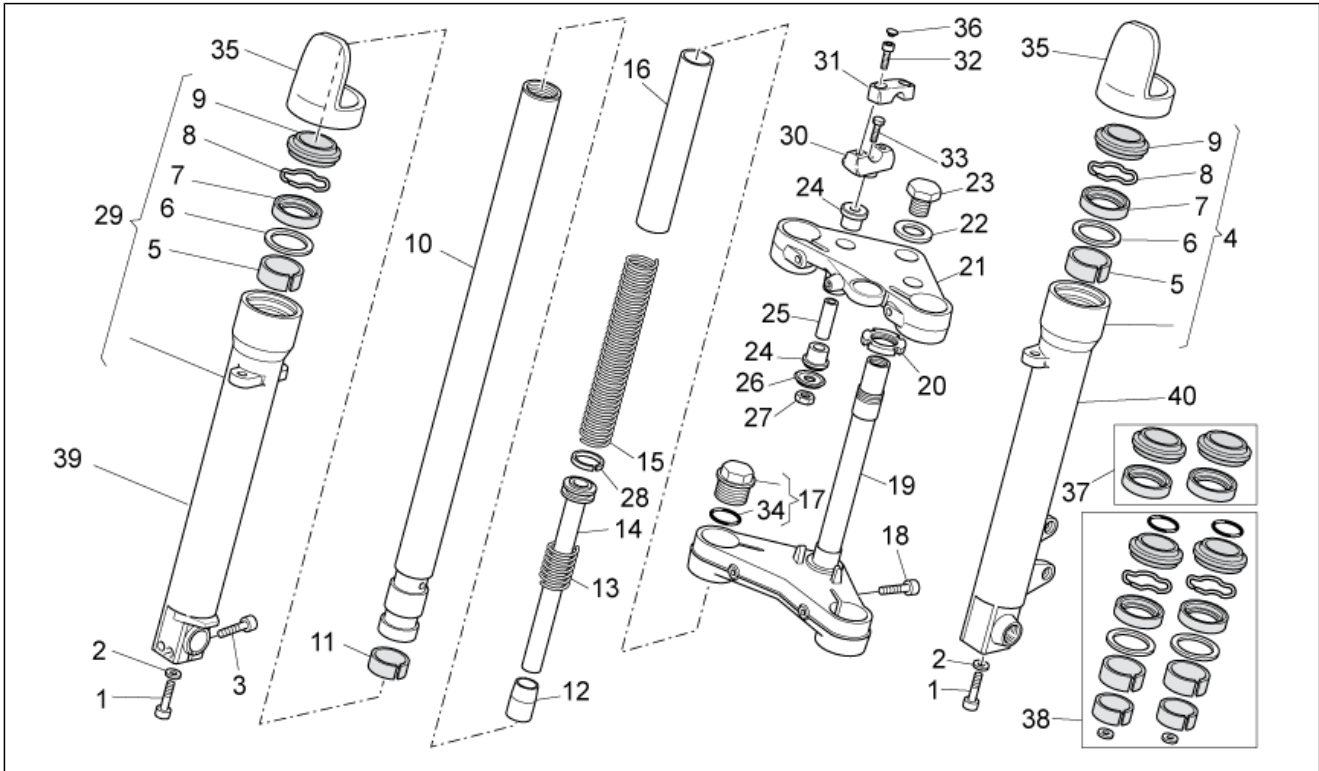
Pos.	Code	Description	Qty	Variants
1	883039	Gear lever	1	
2	GU14251001	Rubber spacer	1	
3	GU95129260	Spring washer	2	
4	GU32256910	Lever	1	
5	GU92630707	Nut	2	
6	GU98632322	screw	2	
7	GU03013800	Washer 6,4x12	3	
8	GU32257810	Change gear tie rod compl.	1	
9	GU20258221	Shift lever	1	

Group	FRAME
Code	33.07
Description	Front fork I
Service	1



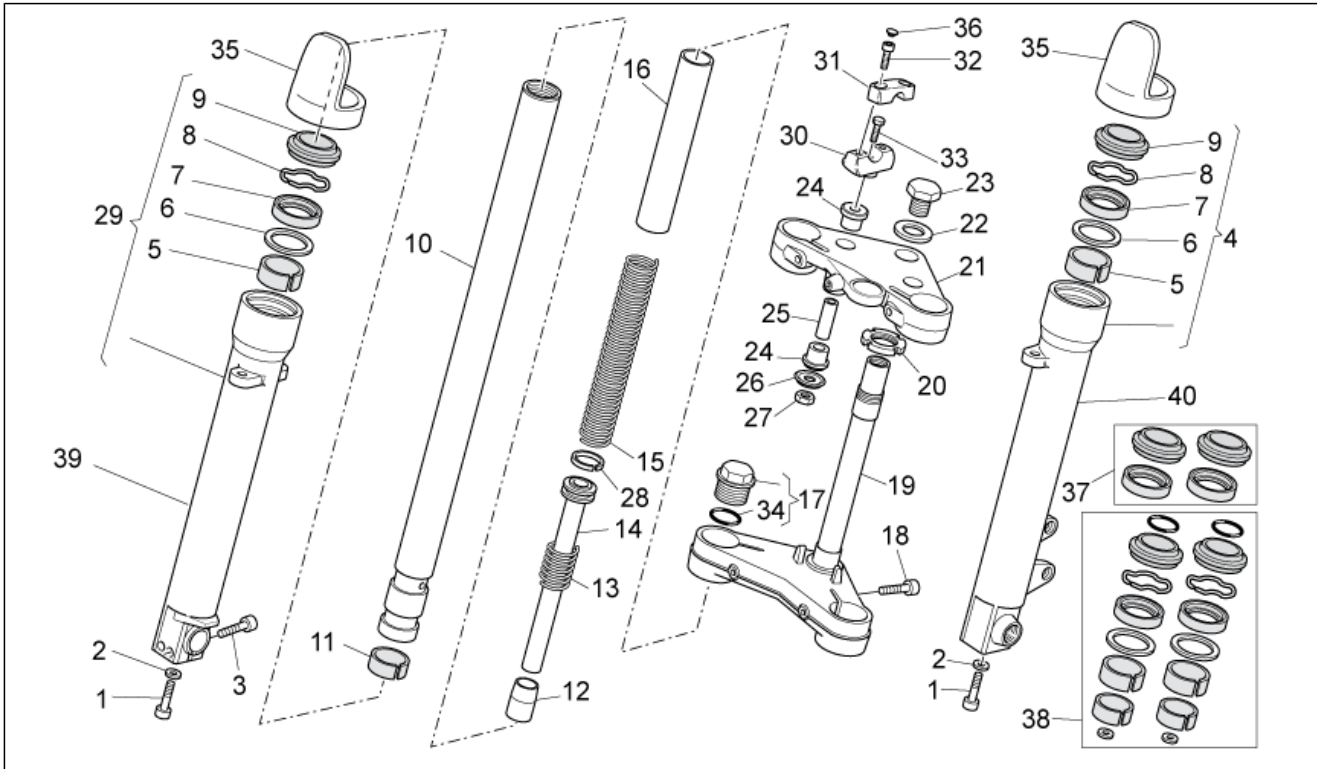
Pos.	Code	Description	Qty	Variants
1	978979	Front fork	1	
2	GU92249225	Tap.roller bearing	2	
3	AP8144146	Gasket ring	1	
4	AP8121307	Washer	1	
5	AP8144081	Rubber spacer	1	
6	AP8220460	Rubber cup	1	
7	GU05781630	Reflector, amber	2	Country:Canadian[CA], United States of America[USA]

Group	FRAME
Code	33.08
Description	Fron fork II
Service	1



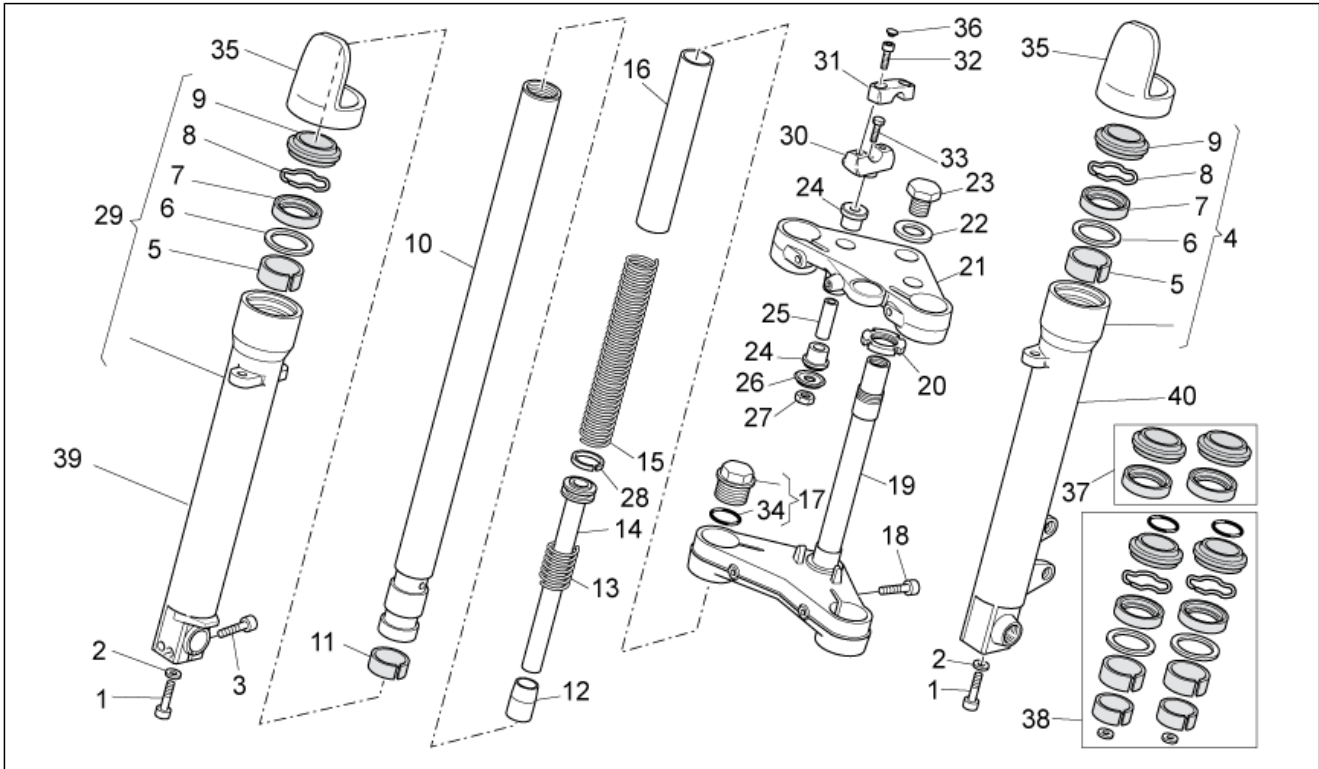
Pos.	Code	Description	Qty	Variants
1	887878	screw M10x30	2	Technical Specifications:Kaifa[K]
1	GU03530530	screw M10x30	2	Technical Specifications:Marzocchi[M]
2	887879	Washer	2	Technical Specifications:Kaifa[K]
2	GU03530529	Washer	2	Technical Specifications:Marzocchi[M]
3	887880	screw	2	Technical Specifications:Kaifa[K]
3	GU98620330	screw	2	Technical Specifications:Marzocchi[M]
4	978978	LH sleeve cpl. Black	1	Technical Specifications:Marzocchi[M]
5	887882	Upper bush	2	Technical Specifications:Kaifa[K]
5	GU30526761	Upper bush	2	Technical Specifications:Marzocchi[M]
6	887883	Washer	2	Technical Specifications:Kaifa[K]
6	GU01530568	Washer	2	Technical Specifications:Marzocchi[M]
7	887884	Gasket ring	2	Technical Specifications:Kaifa[K]
7	GU27530584	Gasket ring 40x52x9,5	2	Technical Specifications:Marzocchi[M]
8	887885	Stop ring	2	Technical Specifications:Kaifa[K]
8	GU32530501	Stop ring	2	Technical Specifications:Marzocchi[M]
9	887886	Dust cover	2	Technical Specifications:Kaifa[K]
9	GU01530571	Dust cover	2	Technical Specifications:Marzocchi[M]
10	887887	Sleeve	2	Technical Specifications:Kaifa[K]
10	GU32525410	Sleeve	2	Technical Specifications:Marzocchi[M]
11	887888	Bush	2	Technical Specifications:Kaifa[K]
11	GU30525861	Lower bush	2	Technical Specifications:Marzocchi[M]
12	887889	Pad	2	Technical Specifications:Kaifa[K]
12	GU03530551	Pad	2	Technical Specifications:Marzocchi[M]
13	887890	Return spring	2	Technical Specifications:Kaifa[K]
13	GU32530502	Return spring	2	Technical Specifications:Marzocchi[M]
14	887891	Plunger, complete	2	Technical Specifications:Kaifa[K]
14	GU32530503	Plunger, complete	2	Technical Specifications:Marzocchi[M]
15	887892	Spring	2	Technical Specifications:Kaifa[K]

Group	FRAME
Code	33.08
Description	Fron fork II
Service	1



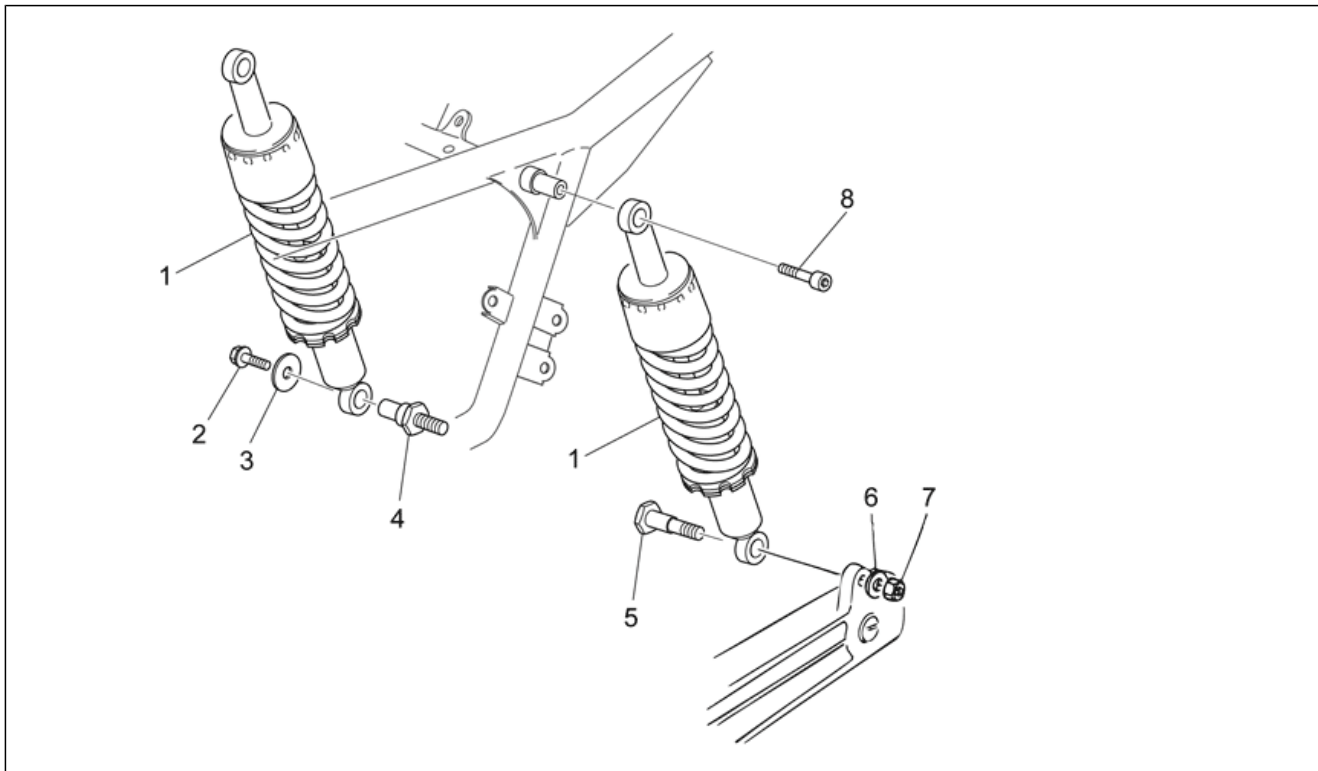
Pos.	Code	Description	Qty	Variants
15	GU32526610	Spring	2	Technical Specifications:Marzocchi[M]
16	887893	pipe	2	Technical Specifications:Kaifa[K]
16	GU32526310	pipe	2	Technical Specifications:Marzocchi[M]
17	887894	Plug cpl.	2	Technical Specifications:Kaifa[K]
17	GU31504583	Plug cpl.	2	Technical Specifications:Marzocchi[M]
18	887895	screw	2	Technical Specifications:Kaifa[K]
18	GU98620540	screw	2	Technical Specifications:Marzocchi[M]
19	887896	Stem base	1	Technical Specifications:Kaifa[K]
19	978974	Stem base Black	1	Technical Specifications:Marzocchi[M]
20	GU31513480	Ring nut M25X1	1	Technical Specifications:Marzocchi[M]
21	887898	Upper plate	1	Technical Specifications:Kaifa[K]
21	978976	Fork upper plate	1	Technical Specifications:Marzocchi[M]
22	887899	Washer	1	Technical Specifications:Kaifa[K]
22	GU27530510	Washer	1	Technical Specifications:Marzocchi[M]
23	887900	Nut	1	Technical Specifications:Kaifa[K]
23	GU30512830	Nut M20x1,5	1	Technical Specifications:Marzocchi[M]
24	887901	Rubber spacer	2	Technical Specifications:Kaifa[K]
24	GU32530506	Rubber spacer	4	Technical Specifications:Marzocchi[M]
25	887902	Spacer	2	Technical Specifications:Kaifa[K]
25	GU91181039	Spacer	2	Technical Specifications:Marzocchi[M]
26	887903	Cup	2	Technical Specifications:Kaifa[K]
26	GU27530505	Cup	2	Technical Specifications:Marzocchi[M]
27	887904	Nut	2	Technical Specifications:Kaifa[K]
27	GU27530506	Nut	2	Technical Specifications:Marzocchi[M]
28	887905	Ring	2	Technical Specifications:Kaifa[K]
28	GU32530504	Ring	2	Technical Specifications:Marzocchi[M]
29	978977	RH sleeve cpl.	1	Technical Specifications:Marzocchi[M]
30	887912	Lower U-bolt	2	Technical Specifications:Kaifa[K]

Group	FRAME
Code	33.08
Description	Fron fork II
Service	1



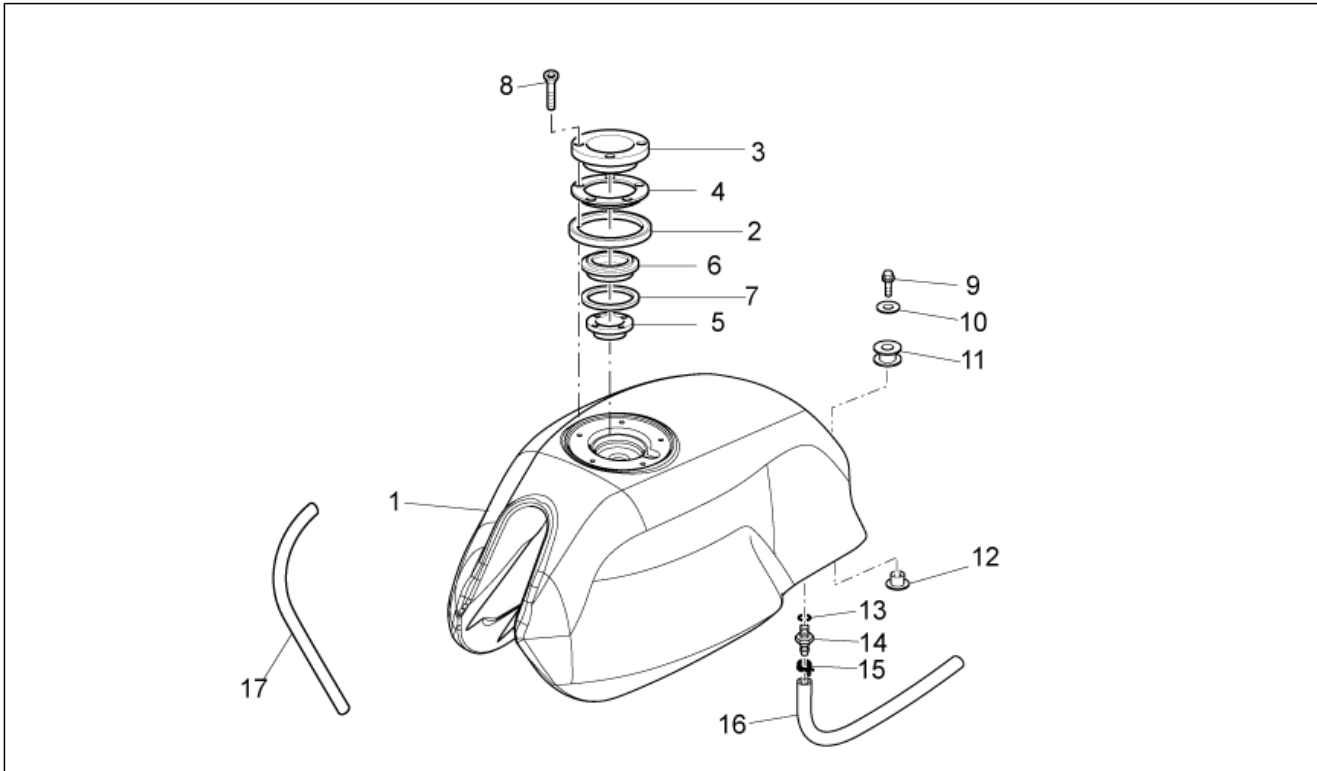
Pos.	Code	Description	Qty	Variants
30	978972	Lower U-bolt	2	Technical Specifications:Marzocchi[M]
31	887913	Upper U-bolt	2	Technical Specifications:Kaifa[K]
31	978973	Upper U-bolt	2	Technical Specifications:Marzocchi[M]
32	887914	screw M8x30	4	Technical Specifications:Kaifa[K]
32	GU66530505	screw M8x30	4	Technical Specifications:Marzocchi[M]
33	887915	screw M10x60	2	Technical Specifications:Kaifa[K]
33	GU98052560	screw M10x60	2	Technical Specifications:Marzocchi[M]
34	887916	O-ring 4118	2	Technical Specifications:Kaifa[K]
34	GU32530505	O-ring 4118	2	Technical Specifications:Marzocchi[M]
35	887917	Sleeve protection	2	Technical Specifications:Kaifa[K]
35	GU32504210	Sleeve protection	2	Technical Specifications:Marzocchi[M]
36	887918	Plug	4	Technical Specifications:Kaifa[K]
36	GU23943410	Plug	8	Technical Specifications:Marzocchi[M]
37	GU32530610	Gaskets set	1	Technical Specifications:Marzocchi[M]
38	GU32530611	Engine oil seal kit	1	Technical Specifications:Marzocchi[M]
39	887906	RH sleeve	1	Technical Specifications:Kaifa[K]
40	887881	LH sleeve	1	Technical Specifications:Kaifa[K]

Group	FRAME
Code	33.11
Description	Rear shock absorber
Service	1



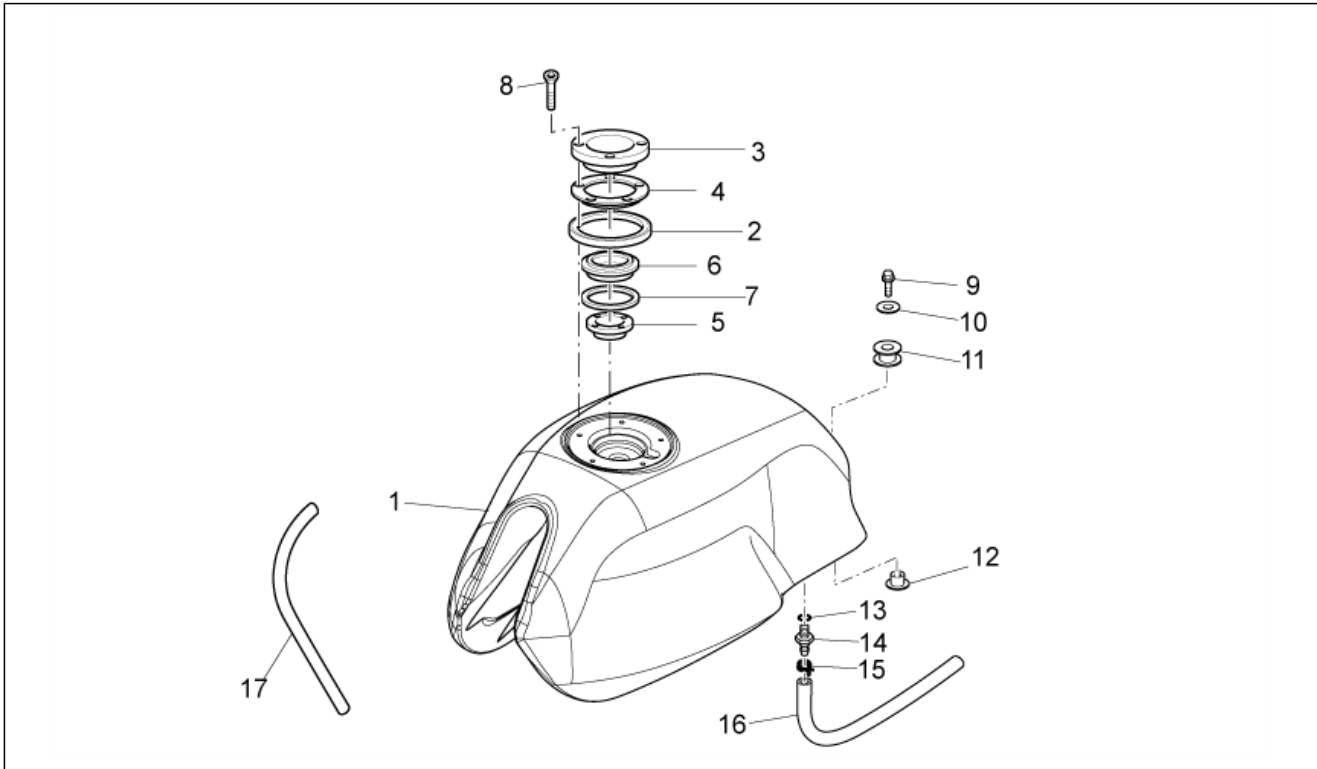
Pos.	Code	Description	Qty	Variants
1	883003	Rear shock absorber SACHS	2	
2	AP8152278	Screw w/ flange M6x16	1	
3	GU95005330	Washer 6,4x30x1,5	1	
4	GU32555210	Pin	1	
5	GU32555211	Pin	1	
6	GU95129181	Washer	1	
7	GU92606210	Nut M10x1,5	1	
8	GU98690335	Hex socket screw	2	

Group	FRAME
Code	33.12
Description	Fuel tank
Service	1



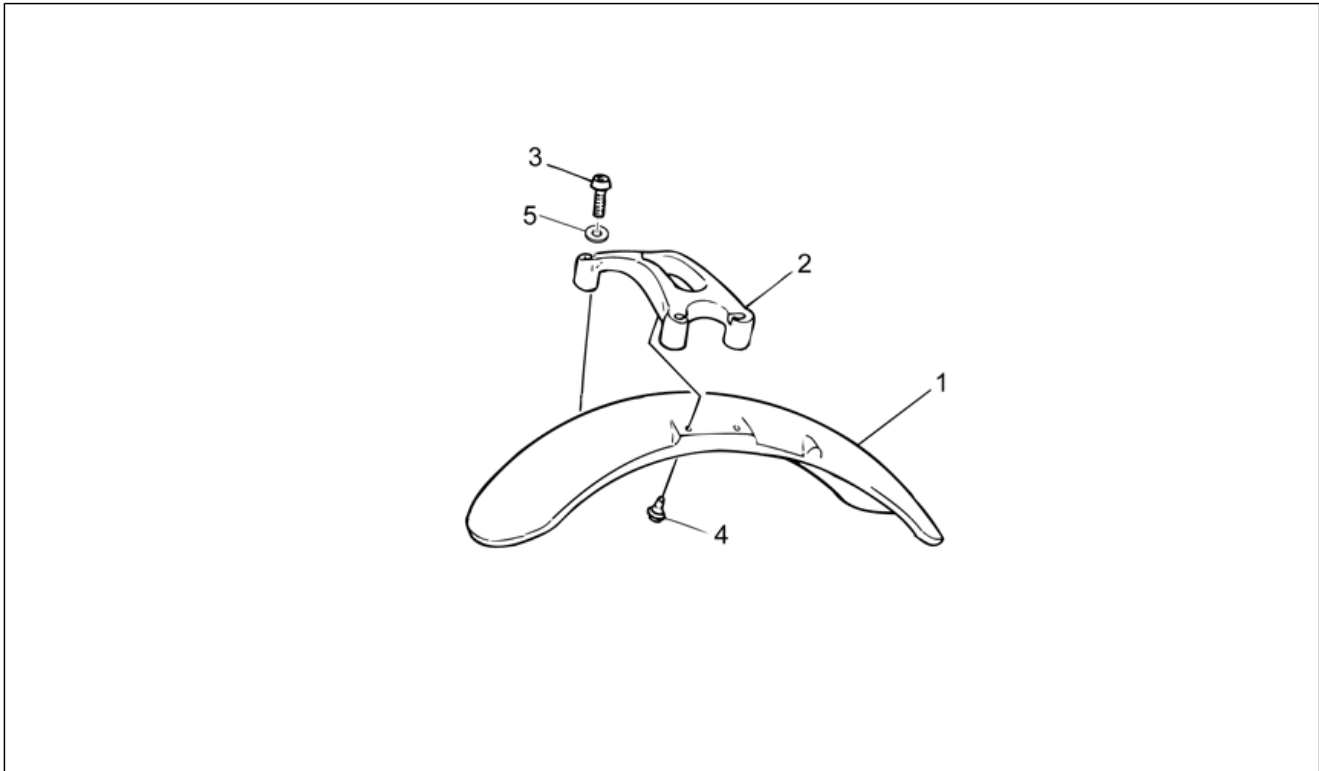
Pos.	Code	Description	Qty	Variants
1	883469	Fuel tank blank	1	Year:2009[9], 2010[A], 2011[B] Country:Canadian[CA], United States of America[USA]
1	88346900BM	Fuel tank white	1	Vehicle colour:White diamond 2008[d.wh.] Country:Canadian[CA], United States of America[USA]
1	88346900Y02	Fuel tank, black	1	Vehicle colour:Guzzi Black 2008-2010[g/bl] Country:United States of America[USA]
1	88701900XR7	Fuel tank red	1	Year:2011[B] Vehicle colour:Rosso Ibis 887017[red] Country:Other country Europe[EU]
1	887944	Fuel tank blank	1	Year:2012[C] Country:Canadian[CA], United States of America[USA]
1	88798700Y02	Fuel tank, black	1	Year:2012[C] Vehicle colour:Nero Guzzi 2011-2012[black] Country:Canadian[CA], United States of America[USA]
1	978928	Fuel tank blank	1	Country:Australia[AUS], Other country Europe[EU], Japan[J], Great Britain[UK]
1	97892800BM	Fuel tank white	1	Vehicle colour:White diamond 2008[d.wh.] Country:Australia[AUS], Other country Europe[EU], Japan[J], Great Britain[UK]
1	97892800Y02	Fuel tank, black	1	Vehicle colour:Guzzi Black 2008-2010[g/bl] Country:Australia[AUS], Other country Europe[EU], Japan[J], Great Britain[UK]
1	B06304700XR7	Fuel tank red	1	Year:2012[C] Vehicle colour:rosso 2001/2012[g/red] Country:Canadian[CA], United States of America[USA]
2	GU03102400	Gasket	1	Year:2012[C] Country:Canadian[CA], United States of America[USA]
3	978929	Flange	1	Year:2009[9], 2010[A], 2011[B]
3	GU03101900	Flange	1	Year:2012[C] Country:Canadian[CA], United States of America[USA]
4	883193	Gasket	1	Year:2009[9], 2010[A], 2011[B]
4	GU03103500	Ring	1	Year:2012[C] Country:Canadian[CA], United States of America[USA]

Group	FRAME
Code	33.12
Description	Fuel tank
Service	1



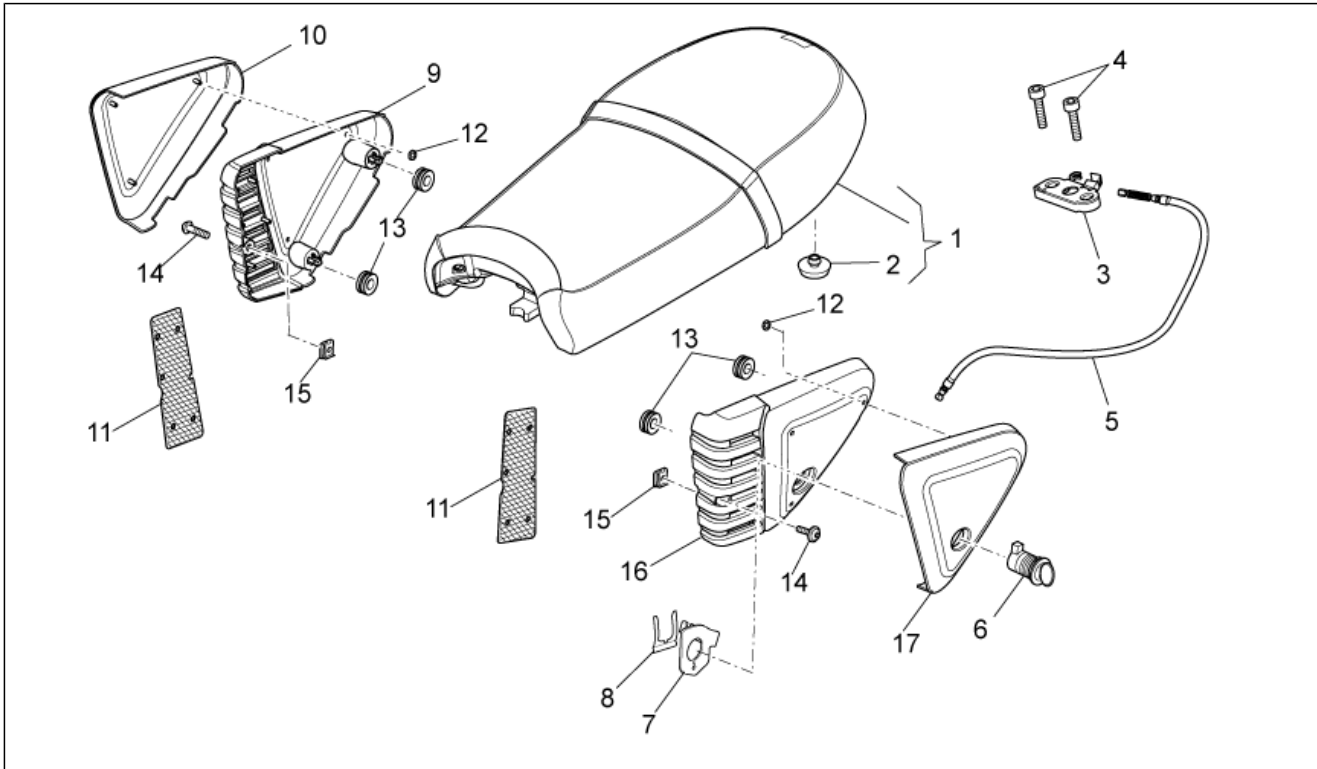
Pos.	Code	Description	Qty	Variants
5	GU03101720	Reduction 38 mm	1	
6	GU03102200	Plug ring nut	1	
7	GU03101600	Gasket	1	
8	825727	Screw	5	Year:2009[9], 2010[A], 2011[B]
8	GU03103200	screw	5	Year:2012[C] Country:Canadian[CA], United States of America[USA]
9	AP8152291	Screw w/ flange	1	
10	GU95005312	Washer 8,5x24x2	1	
11	GU02107100	Rubber spacer	1	Year:2009[9], 2010[A], 2011[B] Country:Australia[AUS], Canadian[CA], Other country Europe[EU], Japan[J], Great Britain[UK], United States of America[USA]
11	GU91551131	Rubber spacer	1	Year:2012[C] Country:Canadian[CA], United States of America[USA]
12	883252	Spacer	1	Year:2009[9], 2010[A], 2011[B] Country:Australia[AUS], Canadian[CA], Other country Europe[EU], Japan[J], Great Britain[UK], United States of America[USA]
12	AP8221128	T bush 8,5x10,7x12	1	Year:2012[C] Vehicle colour:Rosso Ibis 887017[red] Country:Canadian[CA], United States of America[USA]
13	AP8120965	O-ring 2018	1	
14	GU30103730	Joint	1	
15	AP8101595	Hose clamp D10,1	1	
16	GU00823944050	pipe 5X9	1	
17	GU00823931070	Gasket	1	Year:2012[C] Country:Canadian[CA], United States of America[USA]

Group	FRAME
Code	33.13
Description	Front body - Front mudguard
Service	1



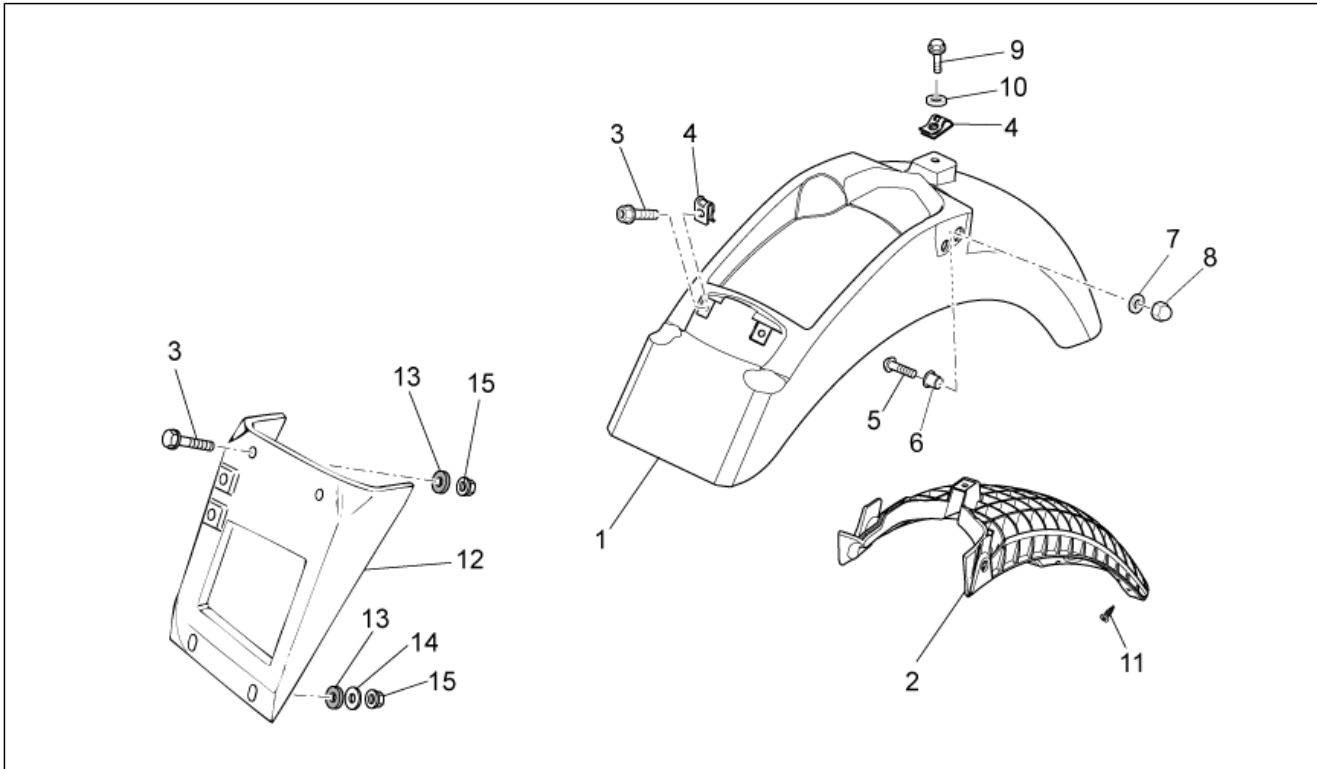
Pos.	Code	Description	Qty	Variants
1	GU32434460	Front mudguard blank	1	
1	GU32434460BM	Front mudguard, white	1	Vehicle colour:White diamond 2008[d.wh.]
1	GU32434462	Front mudguard, black	1	Year:2010[A], 2011[B] Vehicle colour:Guzzi Black 2008-2010[g/bl], Rosso Ibis 887017[red]
2	883266	Stabilization plate	1	
3	GU98350440	screw	4	
4	GU31439565	Special screw	4	
5	GU14615901	Washer 8,4X13X0,8	4	

Group	FRAME
Code	33.14
Description	Saddle-Central bod
Service	1



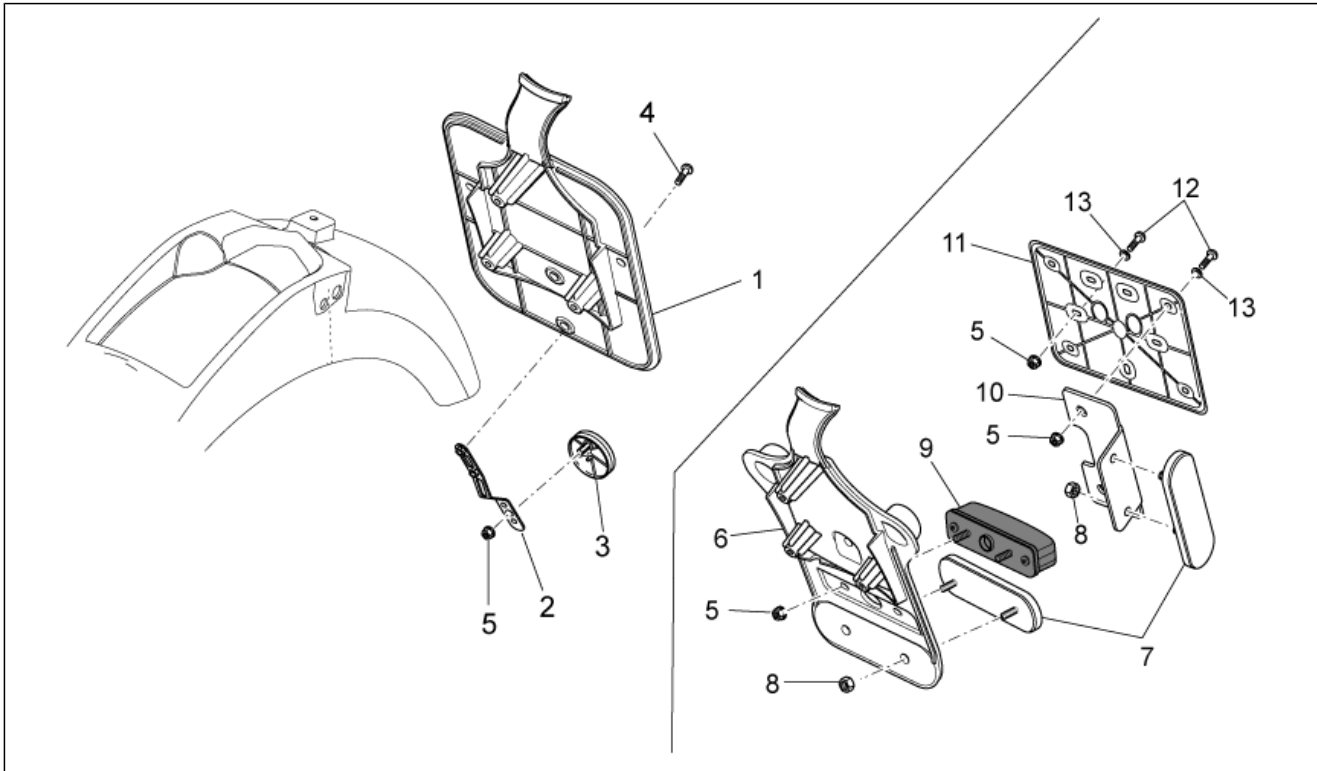
Pos.	Code	Description	Qty	Variants
1	978931	Two-seat saddle	1	
2	GU32461610	Rubber spacer	10	
3	AP8102913	Pass.saddle connecting plate	1	
4	GU98370625	Hex socket screw	2	
5	883295	Saddle release cable	1	
6	977527	Serratura completa di chiavi	1	
7	AP8121420	Fork spring	1	
8	978415	Cable fixing plate	1	
9	978941	RH support	1	
10	88702000XR7	RH side panel, red	1	Year:2011[B] Vehicle colour:Rosso Ibis 887017[red]
10	97894000BM	RH side panel, white	1	Vehicle colour:White diamond 2008[d.wh.]
10	97894000Y02	RH side panel, black	1	Vehicle colour:Guzzi Black 2008-2010[g/bl]
11	978942	Guard	2	
12	AP8150450	Washer for shafts D5	1	
13	GU91551086	Rubber spacer	4	
14	AP8152339	Screw w/ flange M5x9	2	
15	AP8102375	Clip m5	2	
16	978944	LH support	1	
17	88702100XR7	LH side panel, red	1	Year:2011[B] Vehicle colour:Rosso Ibis 887017[red]
17	97894300BM	LH side panel, white	1	Vehicle colour:White diamond 2008[d.wh.]
17	97894300Y02	LH side panel, black	1	Vehicle colour:Guzzi Black 2008-2010[g/bl]

Group	FRAME
Code	33.15
Description	Rear body I- Mudguard
Service	1



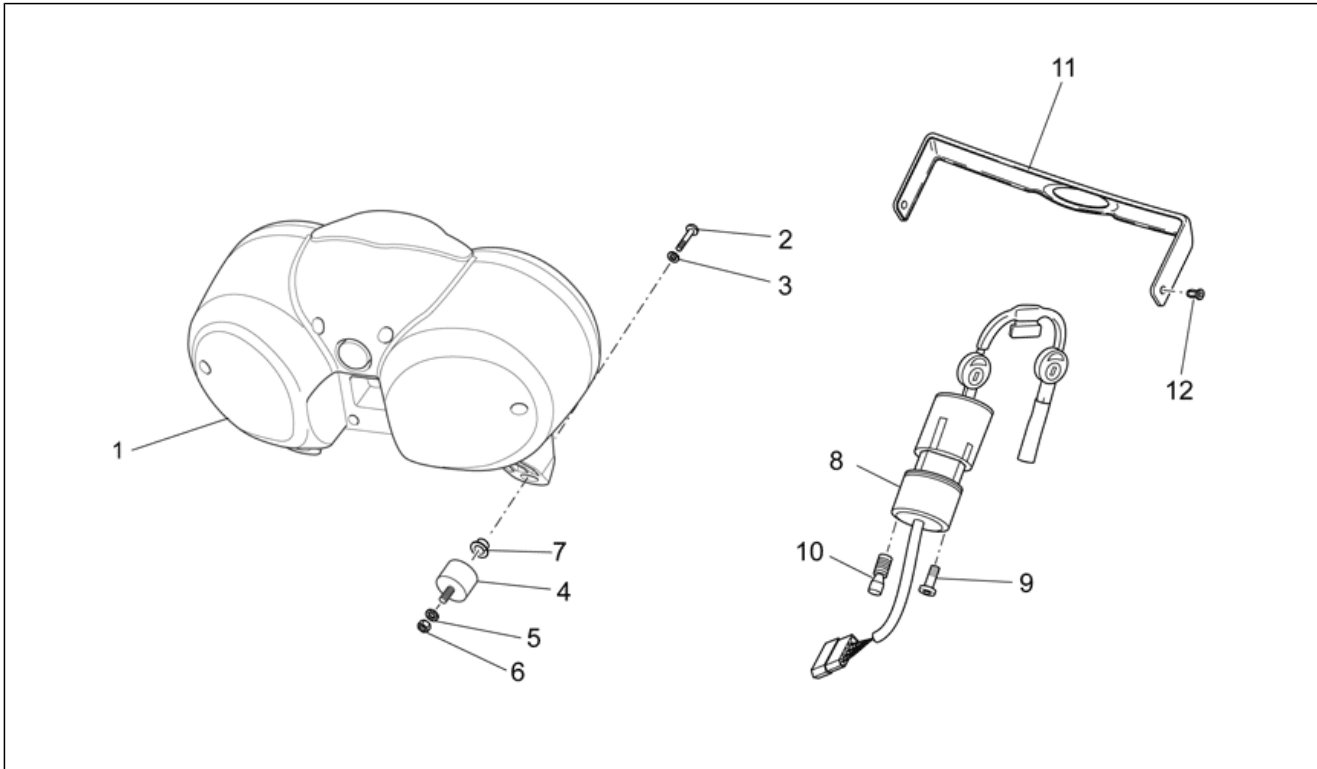
Pos.	Code	Description	Qty	Variants
1	97894600BM	Rear mudguard, white	1	Vehicle colour:White diamond 2008[d.wh.]
1	97894600Y02	Rear mudguard, black	1	Vehicle colour:Guzzi Black 2008-2010[g/bl], Rosso Ibis 887017[red]
2	978947	Support	1	
3	AP8152278	Screw w/ flange M6x16	4	
4	GU28576591	Clip M6	3	
5	GU98370831	Hex socket screw M8x30	2	
6	GU91120806	Spacer	2	
7	GU03270300	Washer 8,4x15	2	
8	GU92787008	Cap nut M8x1,25	2	
9	AP8152279	Screw w/ flange M6x20	2	
10	GU91180601	Spacer 6,2x8x3	2	
11	AP8152329	Phillips screw, SWP M5x20	3	
12	GU31438765	Splash guard	1	
13	GU93110060	Rubber spacer	4	
14	GU95100141	Washer 6,4x12x1,2	2	
15	AP8152299	Self-locking nut M6	4	

Group	FRAME
Code	33.16
Description	Rear body II- Plate holder
Service	1



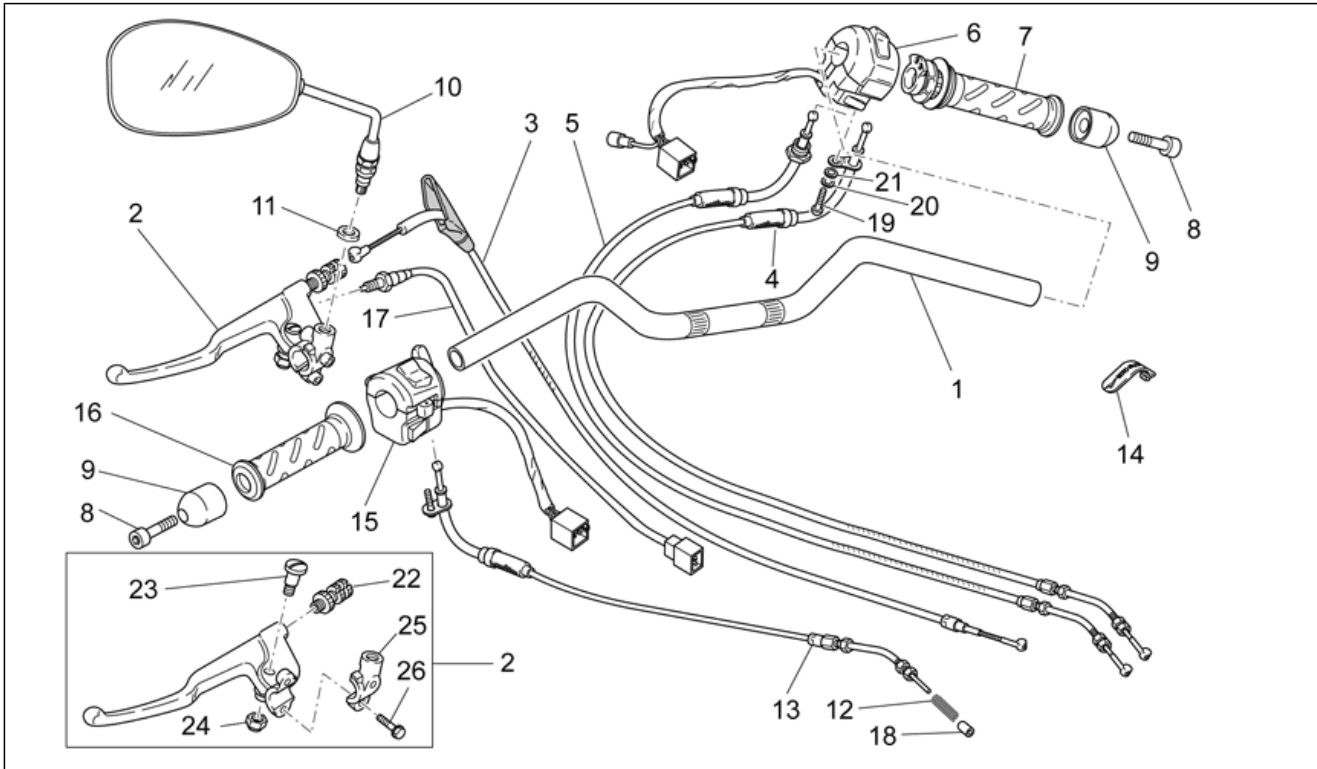
Pos.	Code	Description	Qty	Variants
1	978949	Number plate holder	1	Country: Australia[AUS], Other country Europe[EU], Japan[J], Great Britain[UK]
2	AP8134448	Reflector support	1	Country: Australia[AUS], Other country Europe[EU], Japan[J], Great Britain[UK]
3	AP8224164	Rear reflector, red	1	Country: Australia[AUS], Other country Europe[EU], Japan[J], Great Britain[UK]
4	GU98230510	Hex socket screw	2	Country: Australia[AUS], Other country Europe[EU], Japan[J], Great Britain[UK]
5	AP8152306	Self-locking nut m5	10	
6	883470	Number plate holder	1	Country: Canadian[CA], United States of America[USA]
7	AP8124718	Rear reflector, red	3	Country: Canadian[CA], United States of America[USA]
8	GU92630204	Nut	6	Country: Canadian[CA], United States of America[USA]
9	883480	Number-plate light	1	Country: Canadian[CA], United States of America[USA]
10	GU32781910	Reflector support	2	Country: Canadian[CA], United States of America[USA]
11	AP8149034	Number plate support	1	Country: Canadian[CA], United States of America[USA]
12	AP8152268	Hex socket screw M5x16	7	Country: Canadian[CA], United States of America[USA]
13	AP8150248	Washer 5,5x15x1,6	7	Country: Canadian[CA], United States of America[USA]

Group	FRAME
Code	33.17
Description	Dashboard
Service	1



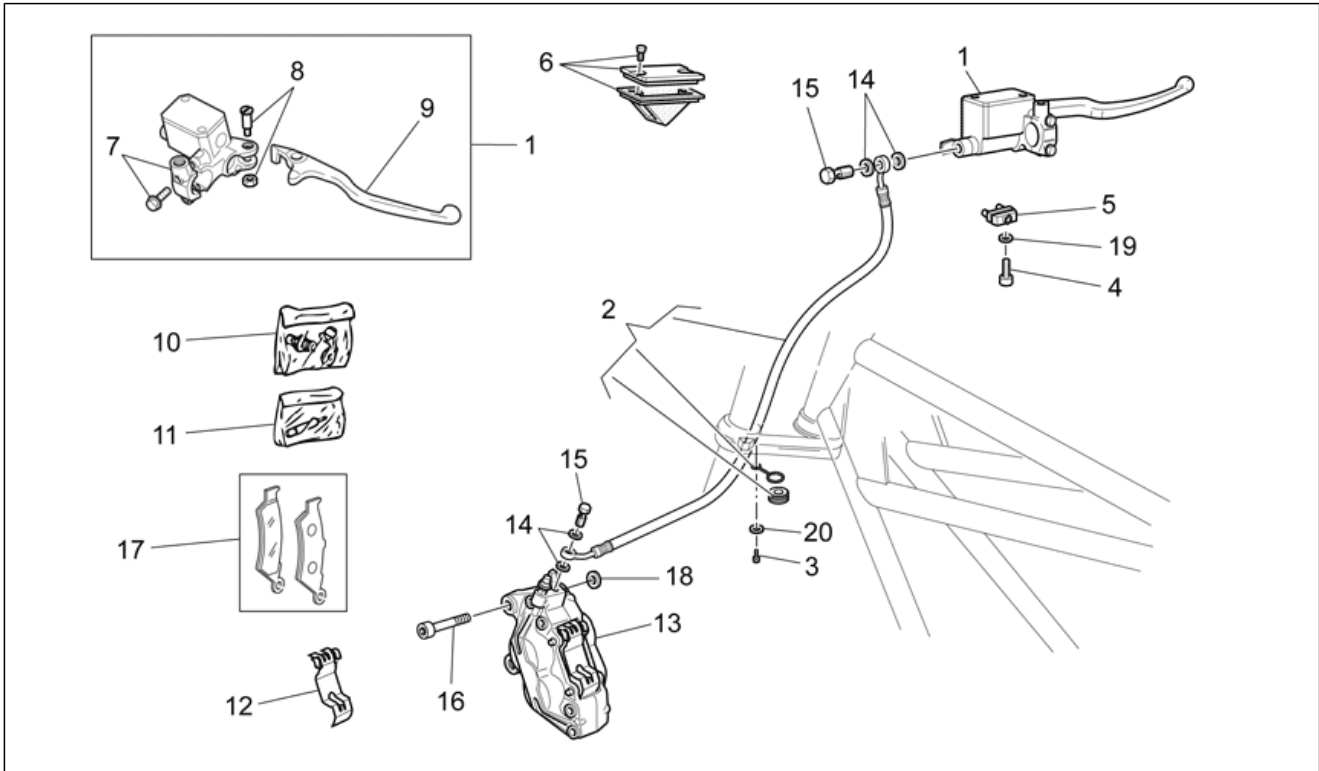
Pos.	Code	Description	Qty	Variants
1	883339	Dashboard complete	1	Country: Great Britain[UK], United States of America[USA]
1	978932	Dashboard complete	1	Country: Australia[AUS], Canadian[CA], Other country Europe[EU], Japan[J]
2	GU98370609	Hex socket screw M6x10	3	
3	GU95005306	Washer 6,4x13x1,5	3	
4	GU93222023	Silent-block	3	
5	GU95021206	Washer	3	
6	GU92606206	Nut	3	
7	AP8121032	Bush	3	
8	GU32782510	Main switch - steering lock	1	
9	GU98682416	Hex socket screw M8x16	1	
10	AP8150349	Special screw M8x15	1	
11	883569	Cover	1	Year: 2011[B] Vehicle colour: Rosso Ibis 887017[red] Country: Other country Europe[EU]
11	GU32766810	Cover	1	Year: 2009[9], 2010[A] Vehicle colour: White diamond 2008[d.wh.], Guzzi Black 2008-2010[g/bl]
12	GU23922210	Pin	2	

Group	FRAME
Code	33.18
Description	Handlebar - Controls
Service	1



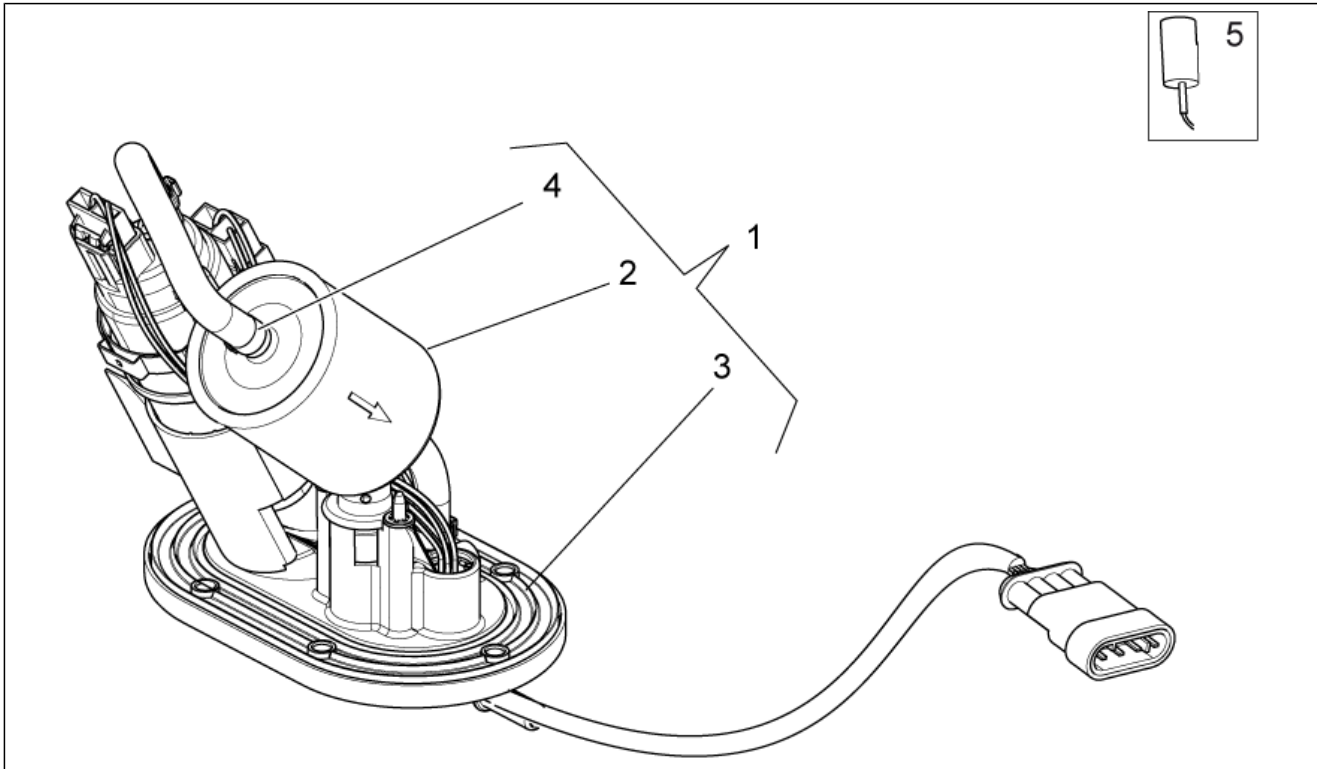
Pos.	Code	Description	Qty	Variants
1	978960	Handlebar	1	
2	GU32605510	Clutch lever	1	
3	883264	Clutch cable	1	
4	883262	Gas trasmission delivery	1	
5	883263	Gas trasmission return	1	
6	GU32738810	RH lights selector	1	
7	GU32603310	RH hand grip	1	
8	GU98690335	Hex socket screw	2	
9	GU32602860	Anti.v weight, chr.	2	
10	883802	RH/LH rearview mirror	2	Vehicle colour:marcato "FU E11 81R-001047"[B]
10	978570	RH/LH rearview mirror	2	Vehicle colour:marked "FAR"[A]
11	GU91181003	Spacer 10,25X20X4	2	
12	GU94321074	Spring 7x1,1x25	1	
13	GU32137060	Choke cable	1	
14	GU01609630	Hose clamp L46 mm	2	
14	GU03609600	Hose clamp L36 mm	1	
15	883075	LH lights selector	1	
16	GU32603010	LH hand grip	1	
17	GU29759150	Lateral stand switch	1	
18	GU39094200	Cover	1	
19	GU98230510	Hex socket screw	1	
20	GU95008305	Washer 5,3X10X1	1	
21	GU95021105	Notched washer	1	
22	GU30602500	Register	1	
23	AP8213028	screw	1	
24	AP8213388	Self-locking nut	1	
25	GU30601060	Clump	1	
26	GU97202325	Black screw w/ flange M6x25	2	

Group	FRAME
Code	33.19
Description	Front brake system
Service	1



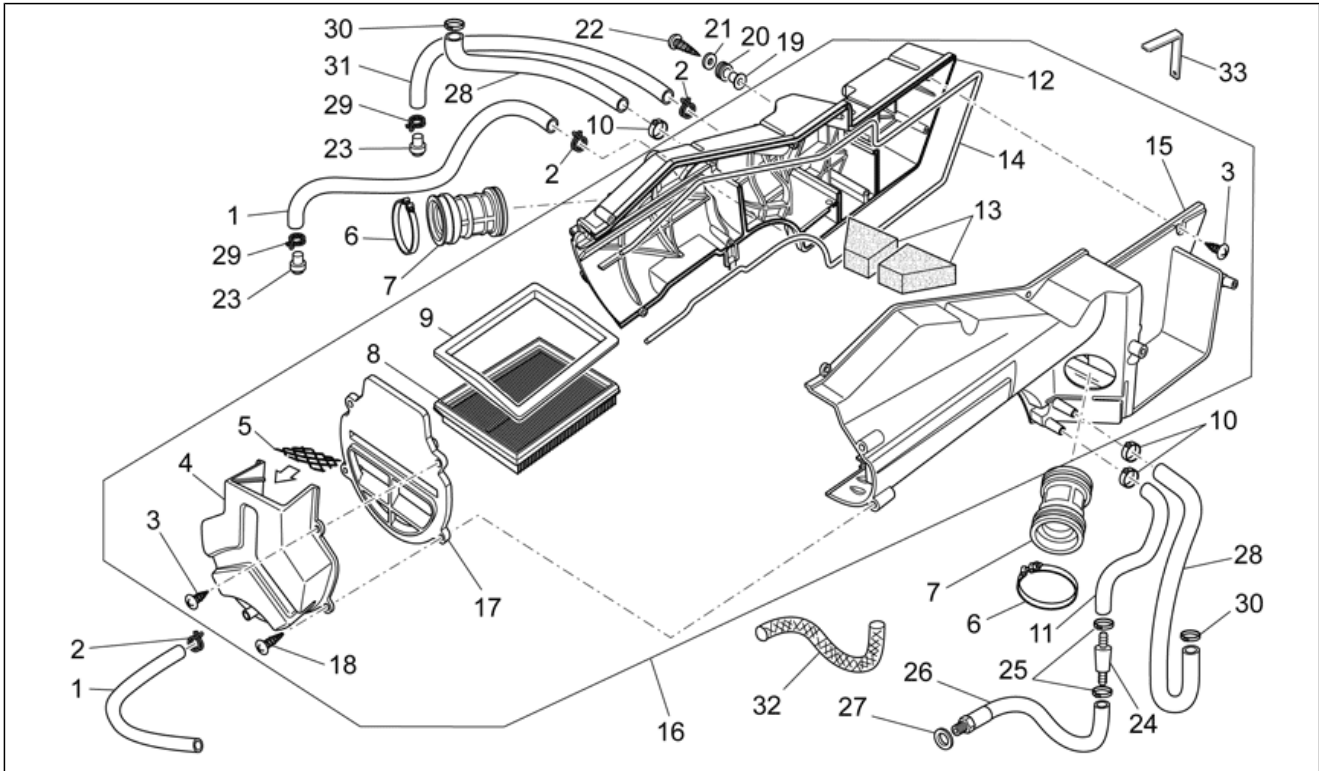
Pos.	Code	Description	Qty	Variants
1	GU03660145	Front master cilinder	1	
2	GU32657110	Brake hose	1	
3	AP8152277	Screw w/ flange M6x12	1	
4	GU98370412	Hex socket screw M4x12	1	
5	GU03749845	Stop switch	1	
6	GU03661145	Pump cover	1	
7	GU03664045	U-bolt	1	
8	GU03604845	Lever pin	1	
9	GU03605645	Brake lever	1	
10	GU05659230	Bleeder+cap	1	
11	GU01659130	Pins+Caliper springs	1	
12	GU01659131	Spring	1	
13	883303	LH front brake caliper, black	1	
14	AP8121915	Gasket	4	
15	978323	Oil pipe screw *	2	
16	AP8152385	Hex socket screw M10x1,25	2	
17	GU01654630	Pads pair	1	
18	GU91181003	Spacer 10,25X20X4	2	
19	GU95021104	Washer 4,3x8x1,5	1	
20	GU95008306	Washer 6,4x12x1,2	1	

Group	FRAME
Code	33.21
Description	Fuel pump
Service	1



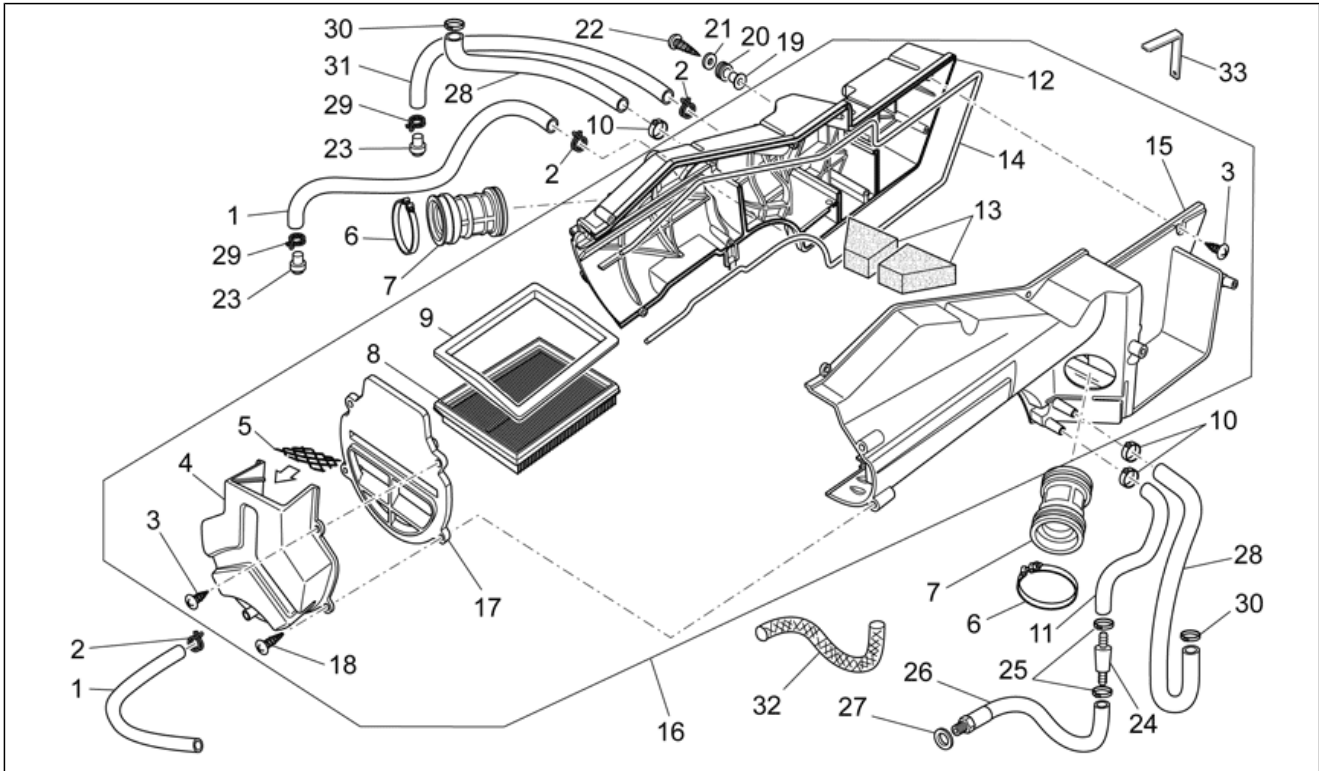
Pos.	Code	Description	Qty	Variants
1	978930	Fuel pump	1	Year: 2009[9], 2010[A], 2011[B] Country: Australia[AUS], Other country Europe[EU], Japan[J], Great Britain[UK] Technical Specifications: Serbatoio in plastica[PL]
1	B063645	Gruppo Aspirazione Carburante	1	Year: 2012[C] Country: Canadian[CA], United States of America[USA] Technical Specifications: Serbatoio in ferro[FE]
1	B063752	Fuel pump	1	Country: Australia[AUS], Other country Europe[EU], Japan[J], Great Britain[UK] Technical Specifications: Serbatoio in ferro[FE]
2	GU01106090	Fuel filter	1	
3	GU05107430	Gasket	1	
4	GU01108490	Hose clamp 11,3	4	
5	883852	Thermistor	1	Country: Australia[AUS], Canadian[CA], Other country Europe[EU], Japan[J], Great Britain[UK], United States of America[USA] Technical Specifications: Serbatoio in plastica[PL]
5	GU32103060	Thermistor	1	Country: Australia[AUS], Canadian[CA], Other country Europe[EU], Japan[J], Great Britain[UK], United States of America[USA] Technical Specifications: Serbatoio in ferro[FE]

Group	FRAME
Code	33.22
Description	Air box
Service	1



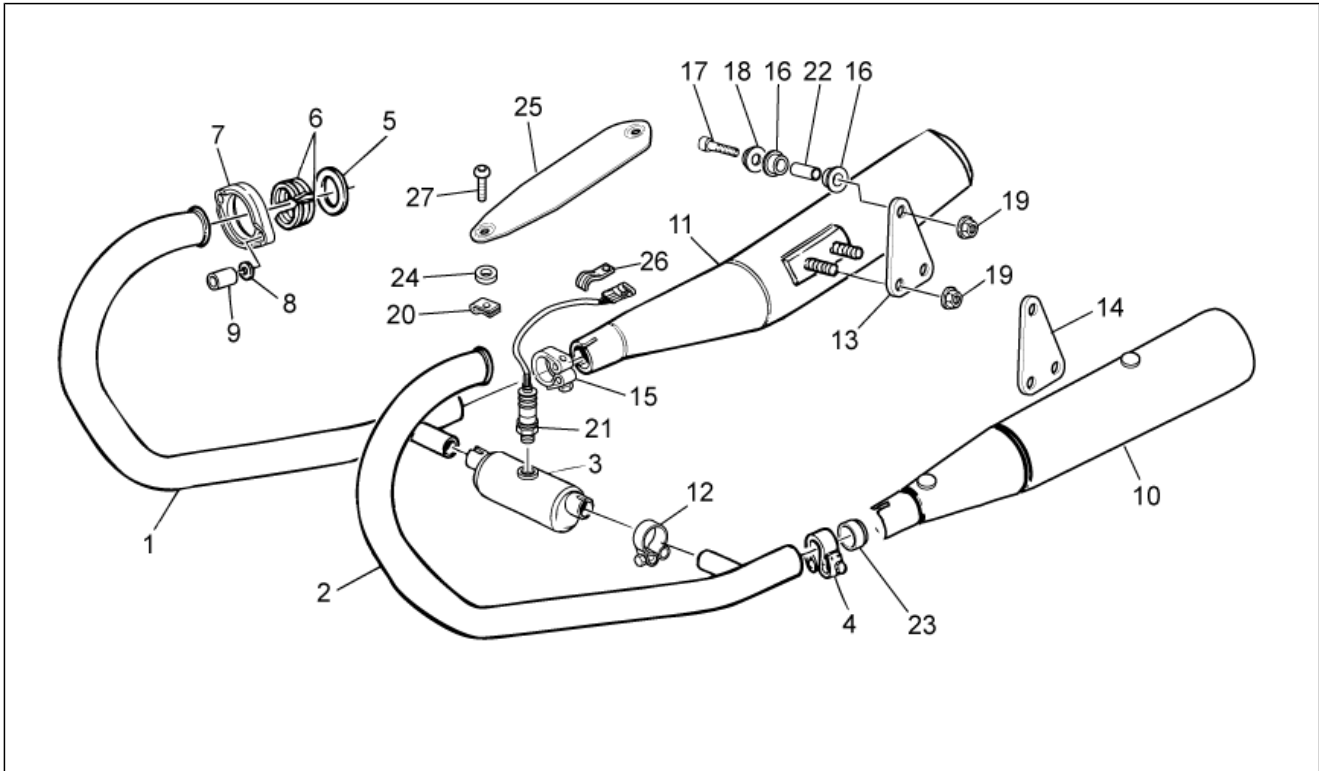
Pos.	Code	Description	Qty	Variants
1	AP8120952	Fuel pipe 5,5x10	2	
2	AP8201358	Hose clamp D 11,9	2	
3	AP8150413	Self-tap screw 3,9x14	12	
4	GU32116910	Filter cover	1	
5	GU32113510	Filter mesh	1	
6	GU93305061	Hose clamp 61/65,5	2	
7	GU32114410	Intake hose	2	
8	AP8104242	Air filter	1	
9	GU32114110	Maintenance	1	
10	AP8102766	Hose clamp	3	
11	AP8120772	Breather pipe	1	
12	GU32114011	RH Bearing shell	1	
13	AP8104525	Filter blow-by	2	
14	AP8120615	Gasket D3	3	
15	GU32114012	LH Bearing shell	1	
16	GU32110110	Air box	1	
17	GU32113410	Cover	1	
18	AP8152329	Phillips screw, SWP M5x20	3	
19	GU30576100	Spacer D.6,5	3	
20	GU91551010	Rubber spacer	3	
21	GU95100059	Washer 5,25x14x1,5	3	
22	AP8152329	Phillips screw, SWP M5x20	3	
23	AP8120876	Plug	3	
24	AP8104251	Oil breather valve	1	
25	AP8102159	Hose clamp	2	
26	GU32159310	Breather	1	
27	GU90714082	Gasket	1	
28	GU32159610	Breather pipe	2	

Group	FRAME
Code	33.22
Description	Air box
Service	1



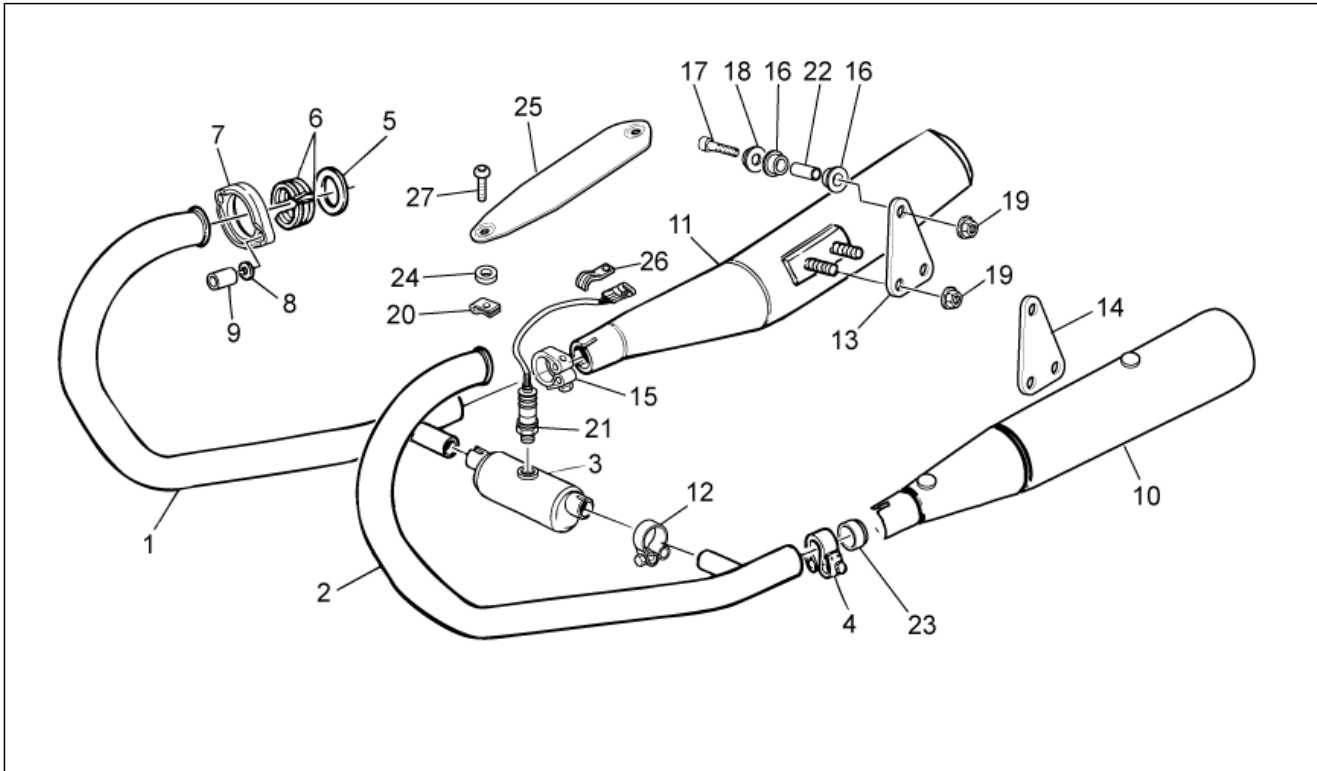
Pos.	Code	Description	Qty	Variants
29	GU61108500	Hose clamp D9	2	
30	AP8102239	Hose clamp 12,5x8	2	
31	AP8144038	Fuel pipe 6x10	1	
32	GU00823923140	Thermal sheath	1	
33	GU31112965	Square	1	

Group	FRAME
Code	33.23
Description	Exhaust unit
Service	1



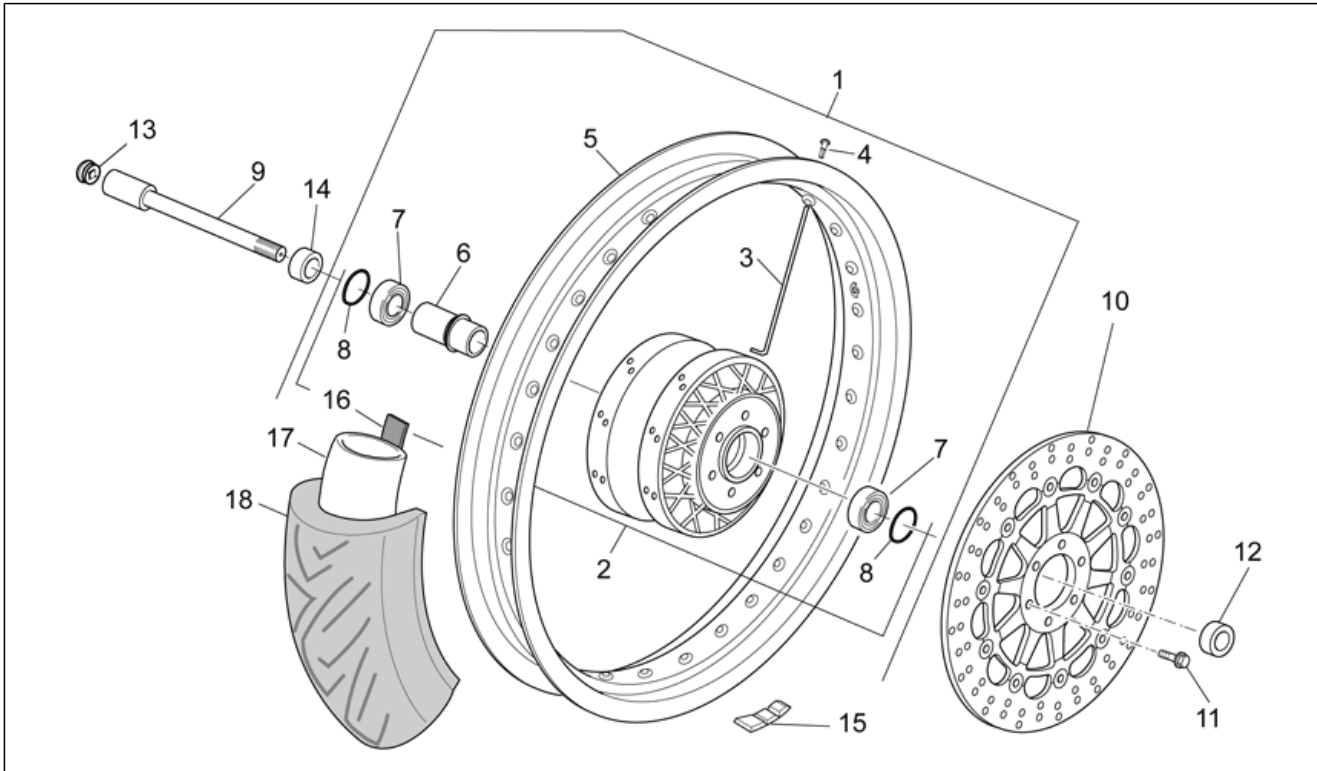
Pos.	Code	Description	Qty	Variants
1	883868	RH exhaust pipe	1	Year:2010[A] Country:Japan[J]
1	978953	RH exhaust pipe	1	Year:2009[9] Country:Japan[J]
1	978953	RH exhaust pipe	1	
2	883869	LH exhaust pipe	1	Year:2010[A] Country:Japan[J]
2	978954	LH exhaust pipe	1	Year:2009[9] Country:Japan[J]
2	978954	LH exhaust pipe	1	
3	978955	Expansion chamber	1	
4	883294	LH silencer clamp	1	
5	GU19025280	Gasket	2	
6	GU19025460	Spacer	4	
7	GU32121010	Ring nut	2	
8	GU03013800	Washer 6,4x12	4	
9	GU31121880	Nut	4	
10	883710	LH silencer	1	Year:2010[A] Country:Japan[J]
10	978957	LH silencer	1	Year:2009[9] Country:Japan[J]
10	978957	LH silencer	1	Country:Australia[AUS], Canadian[CA], Other country Europe[EU], Great Britain[UK], United States of America[USA]
11	883709	RH silencer	1	Year:2010[A] Country:Japan[J]
11	978956	RH silencer	1	Year:2009[9] Country:Japan[J]
11	978956	RH silencer	1	Country:Australia[AUS], Canadian[CA], Other country Europe[EU], Great Britain[UK], United States of America[USA]

Group	FRAME
Code	33.23
Description	Exhaust unit
Service	1



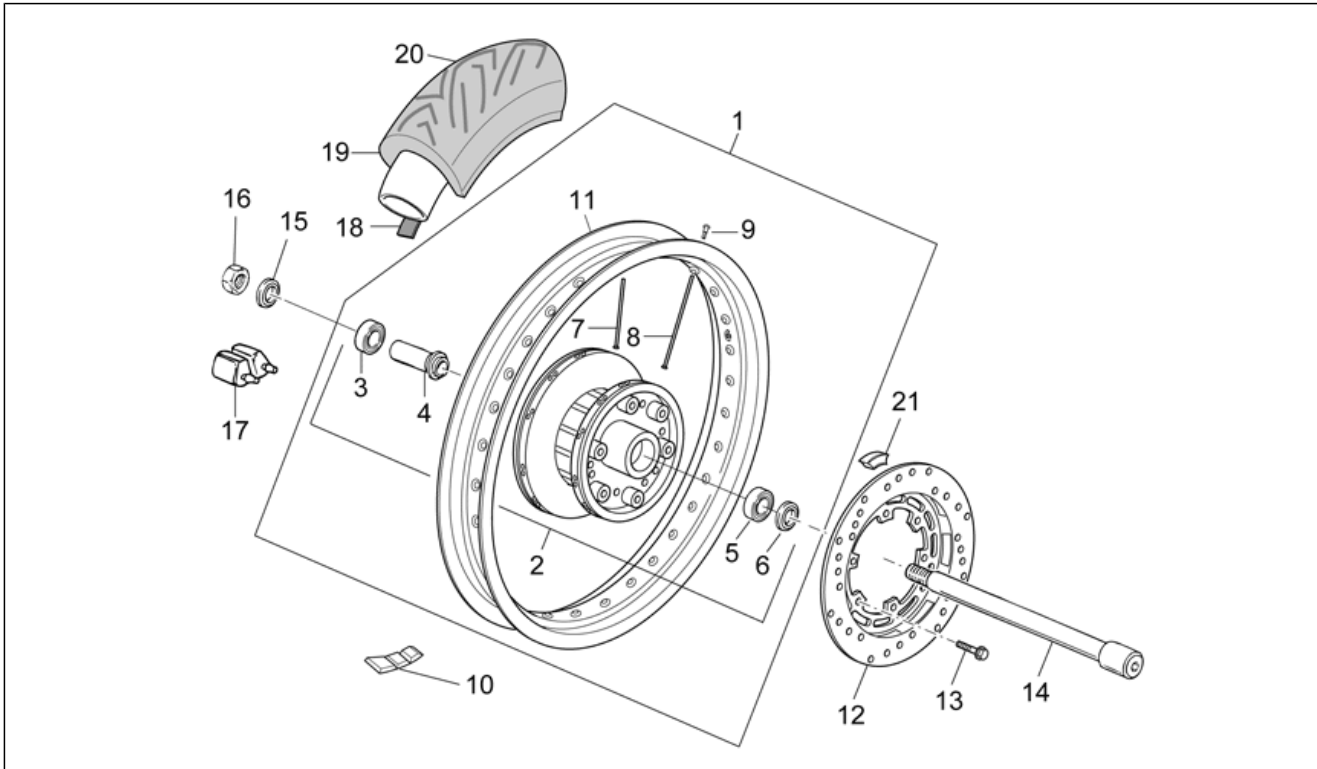
Pos.	Code	Description	Qty	Variants
12	978385	Hose clamp	2	
13	883297	RH plate	1	
14	883298	LH plate	1	
15	883293	RH silencer clamp	1	
16	AP8144071	Rubber exhaust	4	
17	GU98680440	Hex socket screw M8x40	2	
18	AP8134378	Silencer fixing bush	2	
19	GU92640508	Nut M8	6	
20	GU28576591	Clip M6	2	
21	GU32727010	Lambda sensor	1	
22	AP8121072	Spacer	2	
23	GU91113826	Bushing	2	
24	AP8120870	Insulating washer	4	
25	883704	Exhaust pipe heat prot.	2	Technical Specifications: Not chrome version[NoCr]
25	GU03121955	Exhaust pipe heat prot.	2	Technical Specifications: Chrome version[Cr]
26	GU93301175	U-bolt	1	
27	GU98210612	Screw w/ flange M6x12	4	

Group	FRAME
Code	33.24
Description	Front wheel I
Service	1



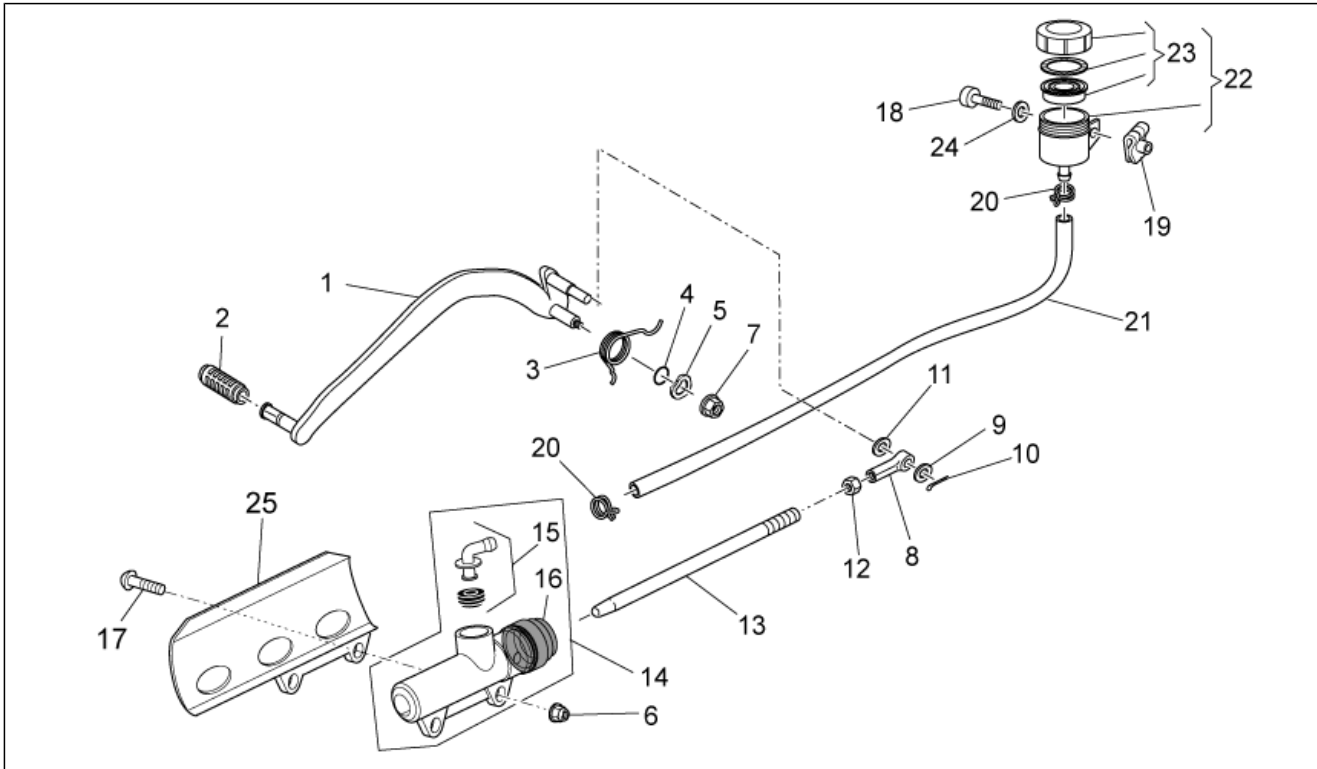
Pos.	Code	Description	Qty	Variants
1	GU32610360	Front wheel 2,15x18"	1	
2	GU32613160	Front hub	1	
3	GU32611660	Spoke	36	
4	GU03631250	Nipples	36	
5	GU32610860	Front wheel 2,50x18"	1	
6	GU31615260	Spacer	1	
7	GU92204221	Bearing	2	
8	GU90402642	Gasket ring	1	
9	GU31614183	Front wheel spindle	1	
10	977024	Front brake disc	1	
11	AP8152286	Screw w/ flange M8x20	6	
12	GU31616384	LH spacer	1	
13	GU93180111	Cover 15 mm	1	
14	GU32615660	RH spacer	1	
15	GU14616150	Counterweight	1	
16	0000000	Tyre	1	
17	0000000	Tyre	1	
18	0000000	Tyre	1	

Group	FRAME
Code	33.25
Description	Rear wheel I
Service	1



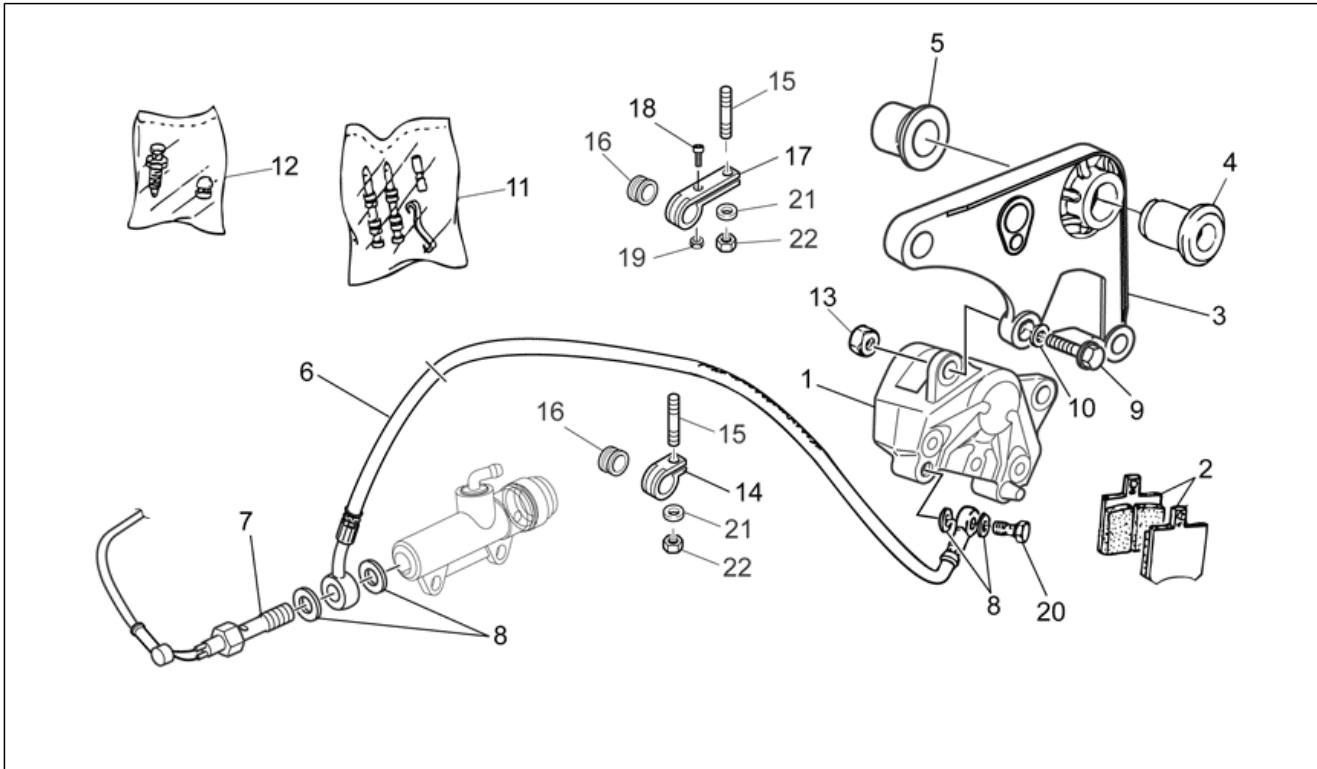
Pos.	Code	Description	Qty	Variants
1	978761	Rear wheel(complete) 3.00x17"	1	
2	GU32692260	Hub	1	
3	GU92204218	Bearing	1	
4	GU27633910	Spacer	1	
5	GU92204217	Bearing	1	
6	GU90402538	Gasket ring 25x40x7	1	
7	883350	Short spoke	18	
8	883349	Long spoke mm 158	18	
9	GU03631250	Nipples	36	
10	GU14616150	Counterweight	1	
11	978757	Rear wheel 3.5x17"	1	
12	GU31613381	Brake disc	1	
13	GU98682425	Hex socket screw M8x25	6	
14	GU32633360	Rear wheel spindle	1	
15	GU31634481	Washer	1	
16	GU92606316	Nut M16x1,5	1	
17	GU32632510	Rubber coupling	6	
18	0000000	Tyre	1	
19	0000000	Tyre	1	
20	0000000	Tyre	1	
21	GU32636160	Support rubber part	1	

Group	FRAME
Code	33.26
Description	Rear master cylinder
Service	1



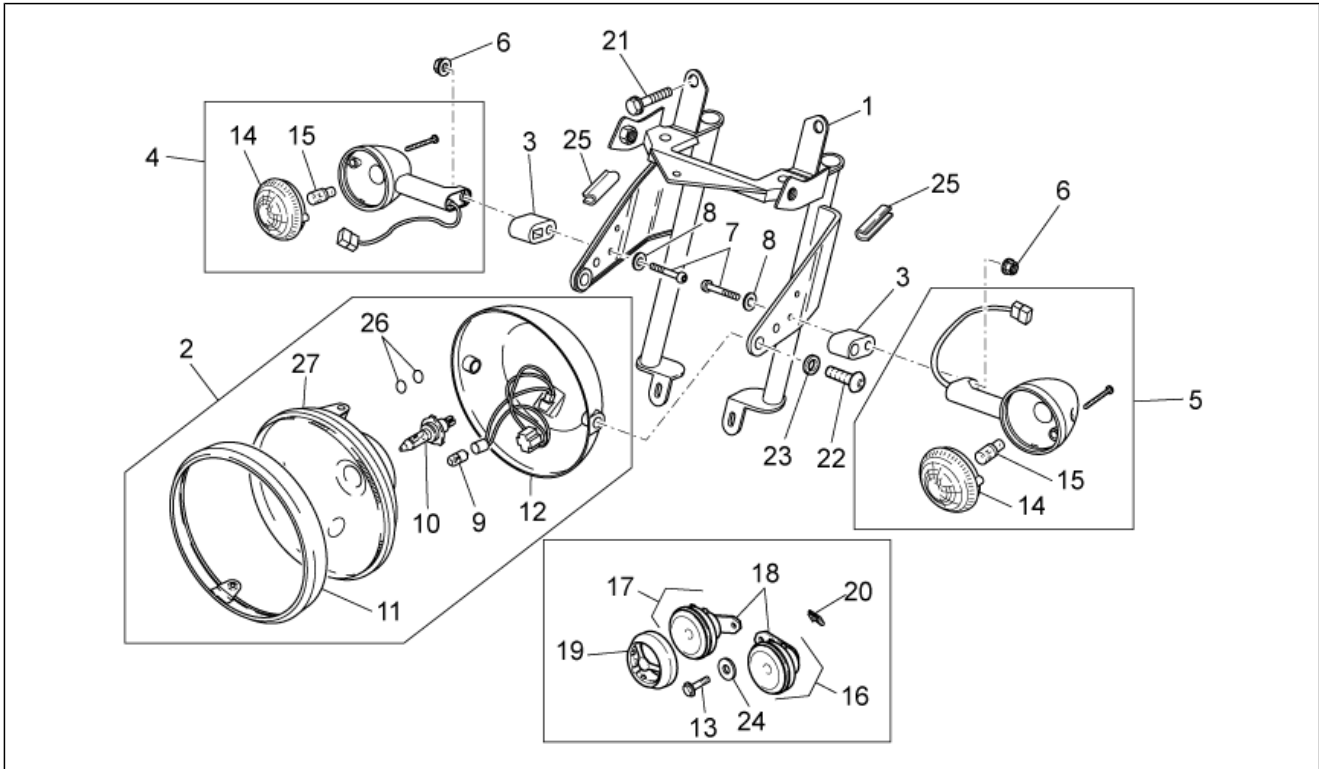
Pos.	Code	Description	Qty	Variants
1	883058	Rear brake lever	1	
2	GU14251001	Rubber spacer	1	
3	978969	Spring	1	
4	AP8144007	O-ring 11,11x1,78	2	
5	GU95005310	Washer 8,4x18x2	1	
6	GU92630206	Nut M6x1	2	
7	GU92660021	Flanged nut M8	1	
8	GU18257551	Block	1	
9	GU95005311	Washer	1	
10	GU95500221	Split pin	1	
11	GU03270300	Washer 8,4x15	1	
12	GU92609007	Nut	1	
13	978970	Master cylinder rod	1	
14	AP8133643	Rear master cylinder	1	
15	AP8213057	Rear brake pump union	1	
16	AP8113288	Rubber bellows	1	
17	GU98370625	Hex socket screw	2	
18	GU98682215	Hex socket screw	1	
19	AP8102375	Clip m5	1	
20	AP8101594	Hose clamp D10,1*	2	
21	GU00823950050	Oil pipe	1	
22	AP8113241	Brake oil tank complete	1	
23	AP8113553	Tank cap	1	
24	GU95100059	Washer 5,25x14x1,5	1	
25	GU01665410	Brake m.cyl.protection, black	1	

Group	FRAME
Code	33.27
Description	Rear brake caliper
Service	1



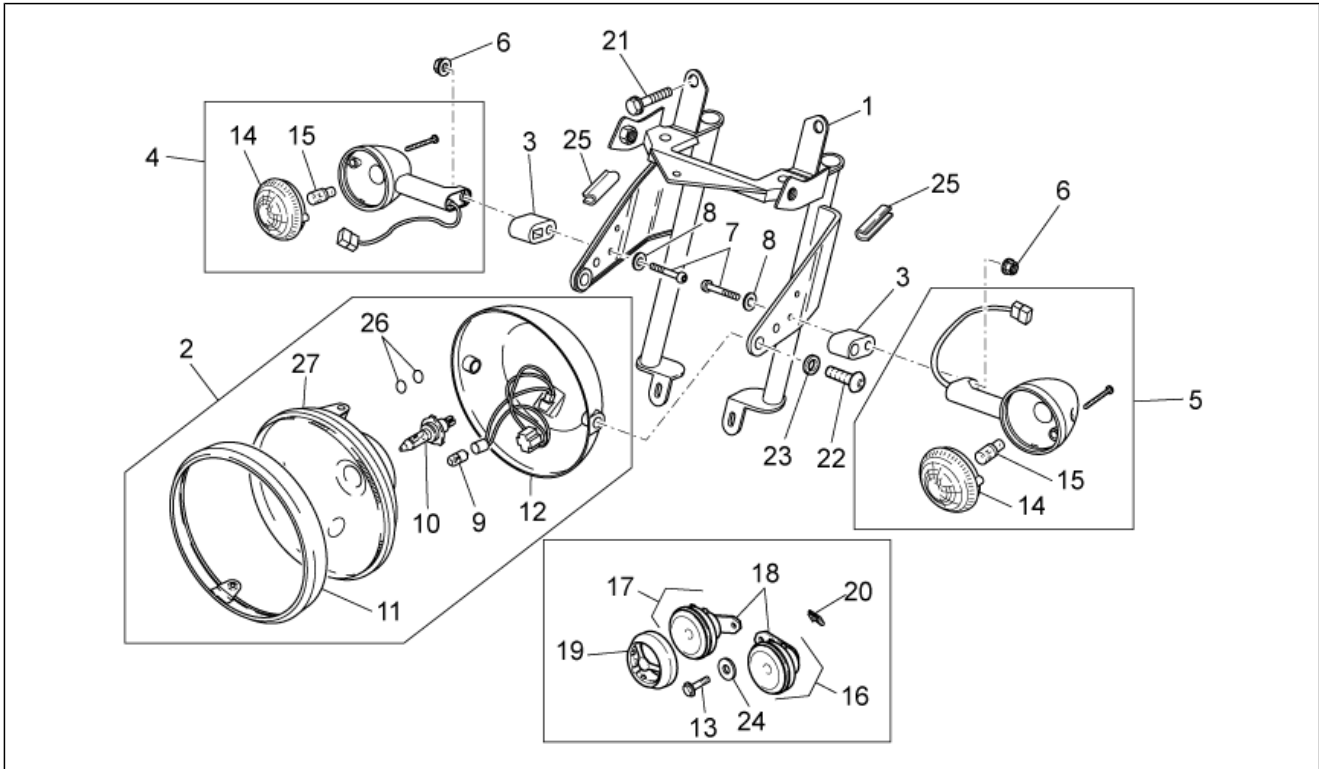
Pos.	Code	Description	Qty	Variants
1	883296	Rear brake caliper Brembo	1	
2	GU31654681	Pads pair	1	
3	GU326358601	Brake hanger plate	1	
4	GU31634281	Bushing	1	
5	GU32634160	Spacer	1	
6	883180	Brake hose	1	
7	883192	Switch	1	
8	AP8121915	Gasket	4	
9	GU97202435	screw	2	
10	GU03270300	Washer 8,4x15	2	
11	GU31659181	Pins+spring kit	1	
12	GU31659281	Bleeder+cap	1	
13	AP8152300	Self-locking nut M8	2	
14	GU03658430	Hose clamp	1	
15	GU96451316	Stud bolt	1	
16	GU03658201	Ring	2	
17	GU03658330	Hose clamp	1	
18	GU98257410	screw	1	
19	GU92630104	Nut M4x0,7	1	
20	978323	Oil pipe screw *	1	
21	GU95008306	Washer 6,4x12x1,2	2	
22	AP8152299	Self-locking nut M6	2	

Group	FRAME
Code	33.28
Description	Front lights
Service	1



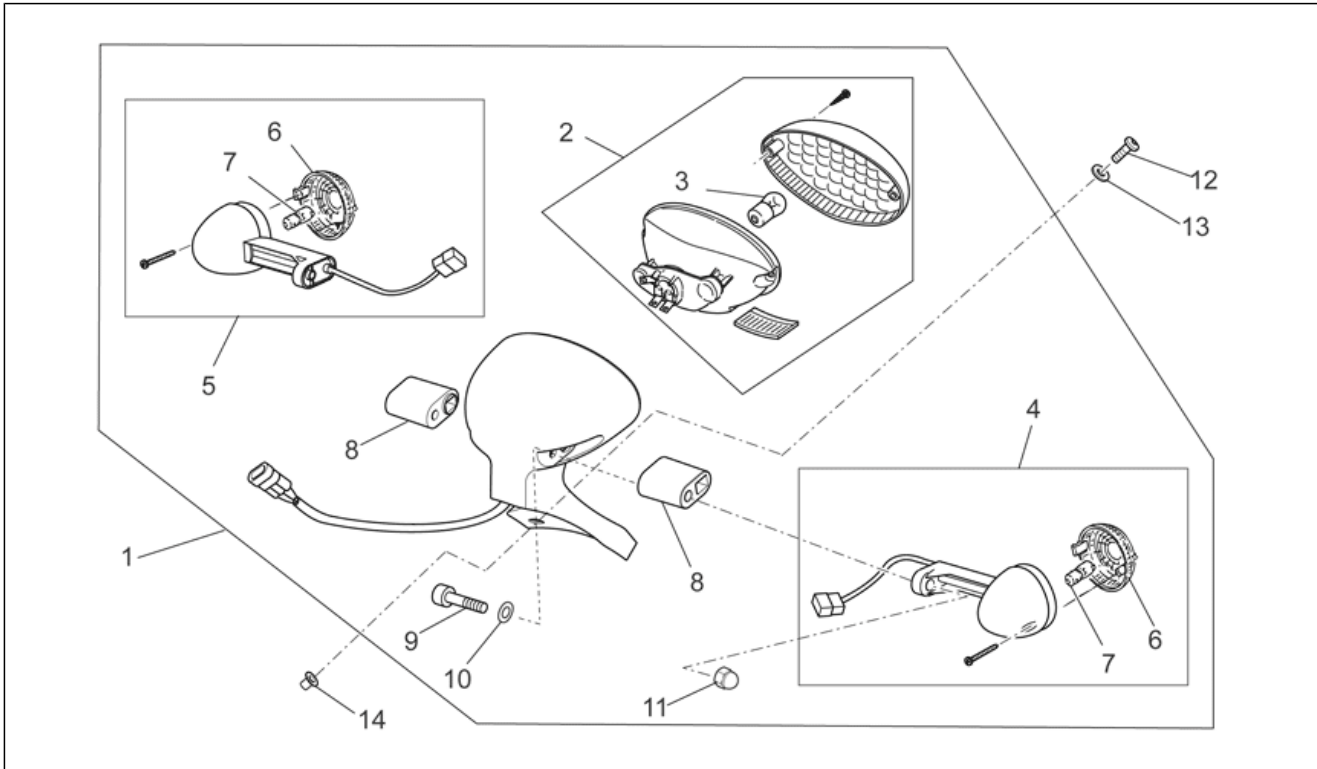
Pos.	Code	Description	Qty	Variants
1	GU32506360	Headlight support clamp	1	
2	GU06740500	Headlight	1	Country:Canadian[CA], Other country Europe[EU], United States of America[USA]
2	GU06740501	Cpl headlightsteering headligh	1	Country:Australia[AUS], Japan[J], Great Britain[UK]
3	GU32753410	Spacer	2	
4	GU32750660	RH front/LH rear turn indic.	1	Country:Australia[AUS], Other country Europe[EU], Japan[J], Great Britain[UK]
4	GU32750661	RH front/LH rear turn indic.	1	Country:Canadian[CA], United States of America[USA]
5	883478	LH front/RH rear turn indic.	1	Country:Canadian[CA], United States of America[USA]
5	GU06751600	LH front/RH rear turn indic.	1	Country:Australia[AUS], Other country Europe[EU], Japan[J], Great Britain[UK]
6	GU92787006	Cap nut M6x1	2	
7	GU98370655	Hex socket screw	2	
8	GU95021206	Washer	2	
9	GU93450105	Lamp	1	
10	GU93450232	Lamp 12V-55/60W	1	
11	GU31740383	Chromed ring nut	1	
12	GU06740200	Headlight cap, chr.	1	
13	AP8152278	Screw w/ flange M6x16	2	
14	GU32753711	Turn indicator lens	2	Country:Canadian[CA], United States of America[USA]
14	GU32753760	Turn indicator lens	2	Country:Australia[AUS], Other country Europe[EU], Japan[J], Great Britain[UK]
15	GU93450126	Lamp, orange	2	Country:Australia[AUS], Other country Europe[EU], Japan[J], Great Britain[UK]
15	GU93450127	Lamp	2	Country:Canadian[CA], United States of America[USA]
16	883462	Electric hom H	1	
17	883463	Electric hom L	1	
18	GU01744200	Bracket	6	
19	GU03744760	Horn mask	2	

Group	FRAME
Code	33.28
Description	Front lights
Service	1



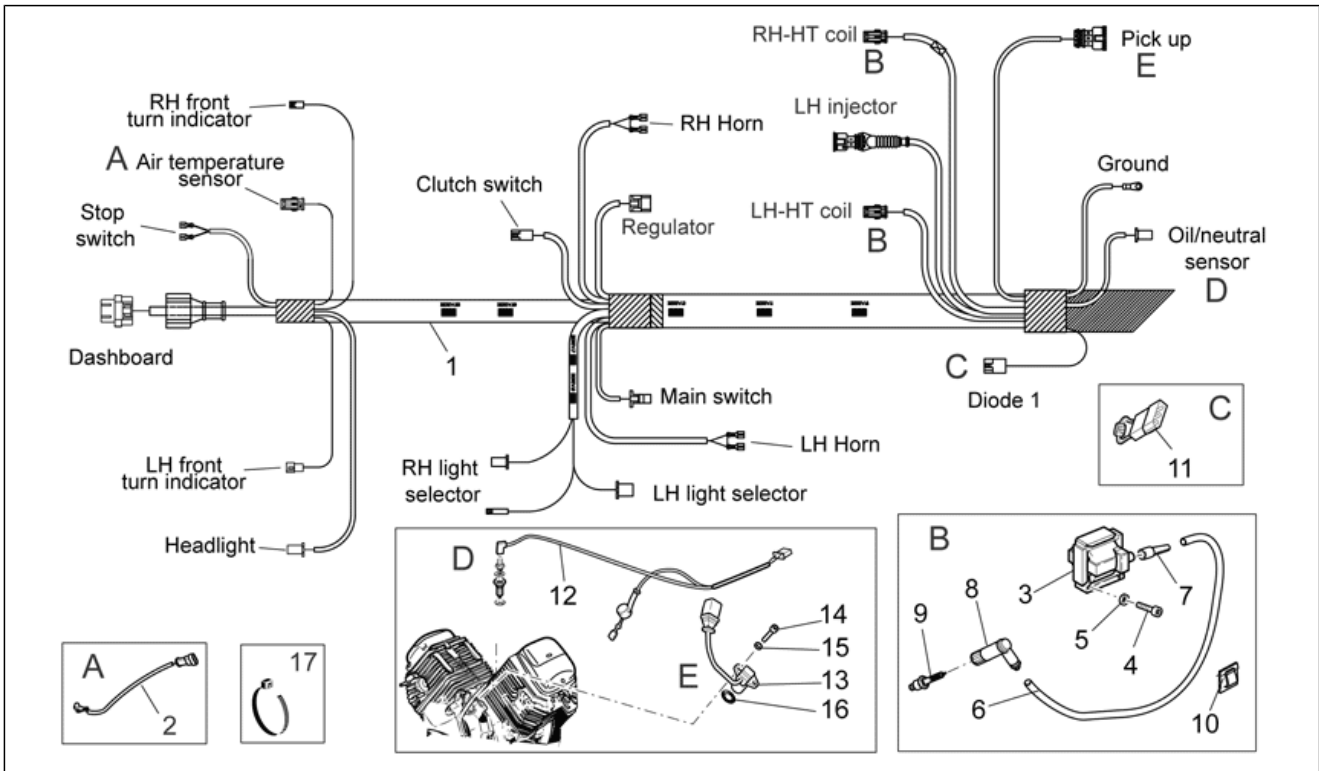
Pos.	Code	Description	Qty	Variants
20	GU28576591	Clip M6	2	
21	GU98880540	screw M10x40	2	
22	GU98370831	Hex socket screw M8x30	2	
23	GU95005308	Washer 8,4x14,57x1,6	2	
24	GU95100141	Washer 6,4x12x1,2	2	
25	GU00823931055	Gasket	1	
26	883417	O-ring	2	
27	GU06740400	Light assembly	1	Country:Canadian[CA], Other country Europe[EU], United States of America[USA]

Group	FRAME
Code	33.29
Description	Rear lights
Service	1



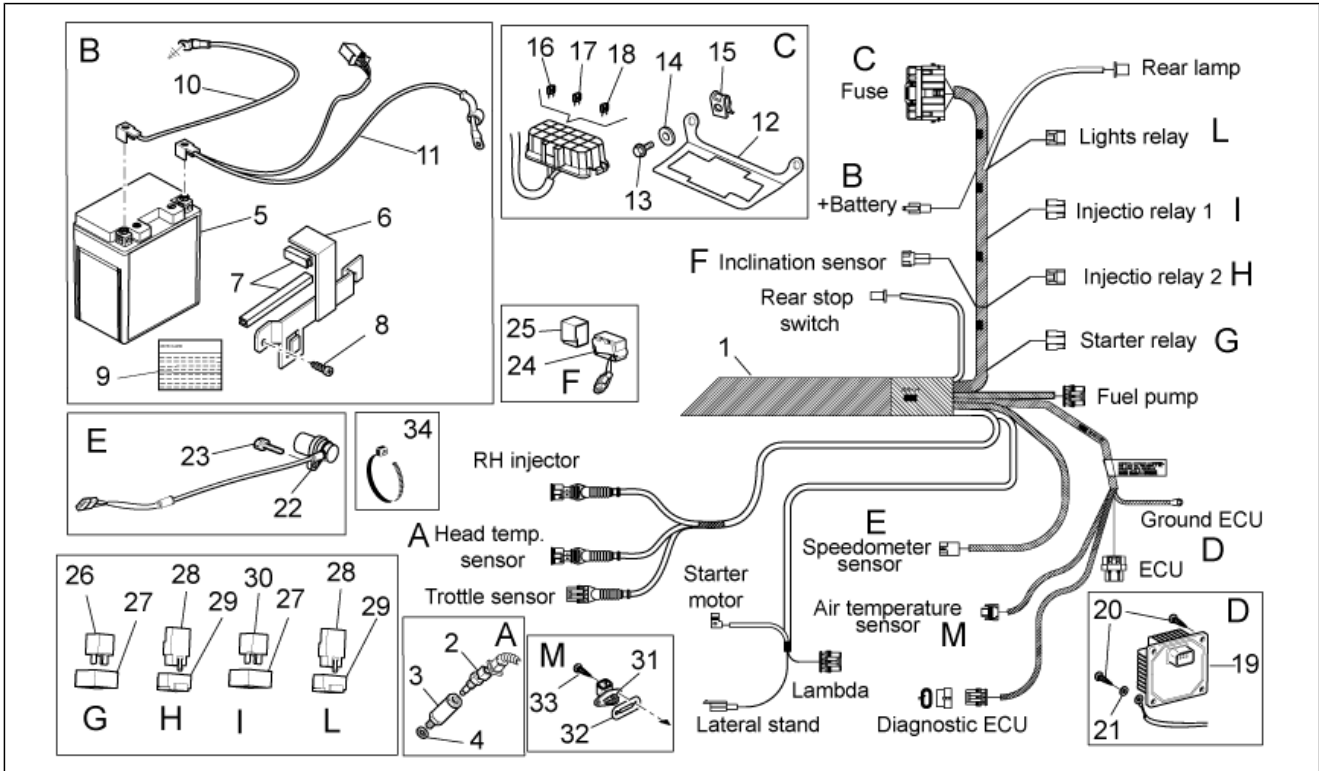
Pos.	Code	Description	Qty	Variants
1	883479	Taillight assy	1	Country:Canadian[CA], United States of America[USA]
1	978950	Taillight assy	1	Country:Australia[AUS], Other country Europe[EU], Japan[J], Great Britain[UK]
2	GU03740930	Taillight	1	
3	GU93450224	Lamp	1	
4	GU32750660	RH front/LH rear turn indic.	1	Country:Australia[AUS], Other country Europe[EU], Japan[J], Great Britain[UK]
4	GU32750661	RH front/LH rear turn indic.	1	Country:Canadian[CA], United States of America[USA]
5	883478	LH front/RH rear turn indic.	1	Country:Canadian[CA], United States of America[USA]
5	GU06751600	LH front/RH rear turn indic.	1	Country:Australia[AUS], Other country Europe[EU], Japan[J], Great Britain[UK]
6	GU32753711	Turn indicator lens	2	Country:Canadian[CA], United States of America[USA]
6	GU32753760	Turn indicator lens	2	Country:Australia[AUS], Other country Europe[EU], Japan[J], Great Britain[UK]
7	GU93450126	Lamp, orange	2	Country:Australia[AUS], Other country Europe[EU], Japan[J], Great Britain[UK]
7	GU93450127	Lamp	2	Country:Canadian[CA], United States of America[USA]
8	GU32753410	Spacer	2	
9	GU98370655	Hex socket screw	2	
10	GU95021206	Washer	2	
11	GU92787006	Cap nut M6x1	2	
12	GU98350215	Hex socket screw	3	
13	GU30577800	Nylon washer 5,5X12X1	3	
14	GU93231605	Antivibration bush	3	

Group	FRAME
Code	33.30
Description	Electrical system I
Service	1



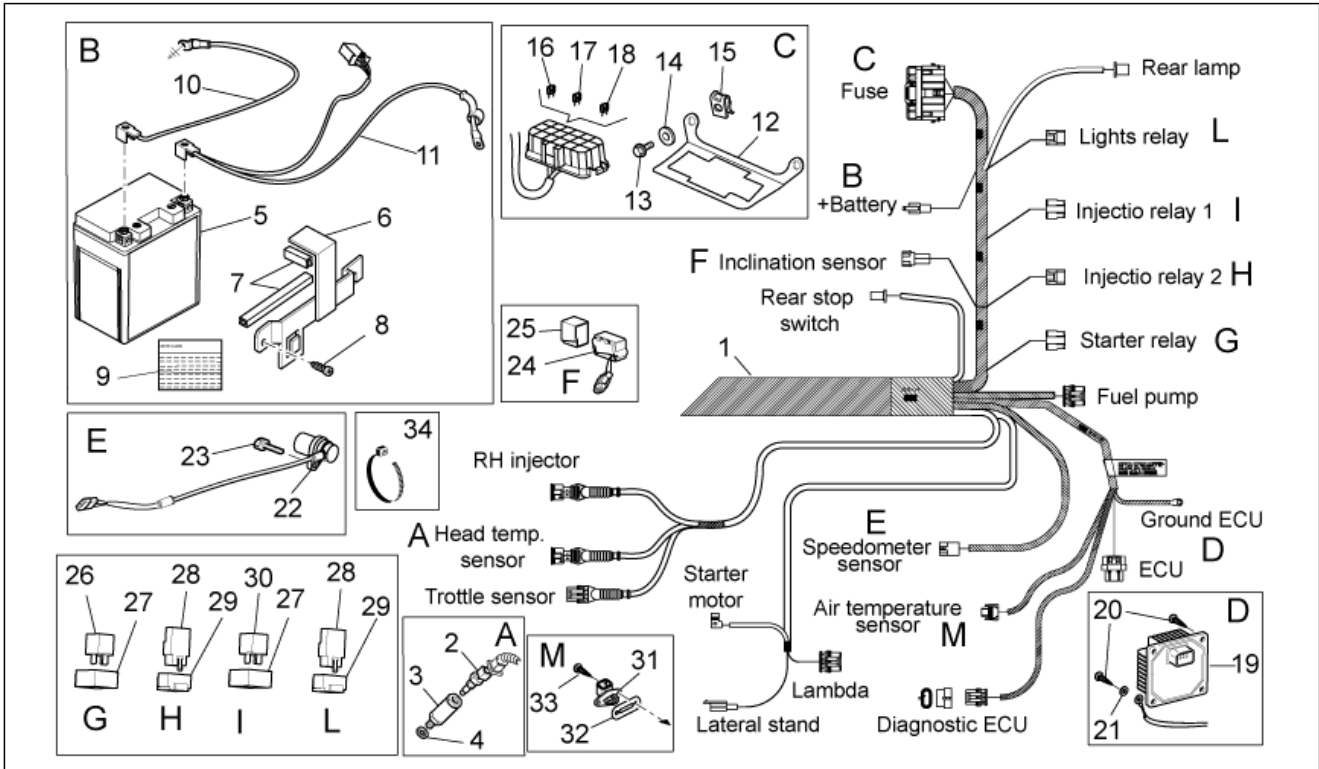
Pos.	Code	Description	Qty	Variants
1	883077	Main wiring harness	1	
2	AP8124936	Air temp. Sensor	1	
3	GU30716500	HT coil	2	
4	GU98680125	screw M4x25	4	
5	GU95008204	Washer 4,3x8x0,5	4	
6	GU17718350	HT cable	2	
7	GU14717600	Cap	2	
8	GU03717450	Sparkplug cap	2	
9	GU31717061	Spark plug NGK BR8ES	2	
10	AP8120708	Cable-guide	6	
11	AP8212588	Diode	1	
12	GU32724510	Oil-neutral gear harness	1	
13	GU01721600	Phase/revolution sensor	1	
14	GU98682212	Hex socket screw M5x12	2	
15	GU95008205	Washer 5,3x10x0,8	2	
16	GU90706141	O-ring	1	
17	GU14609650	Hose clamp 3,6x20,6	31	
17	GU49609601	Hose clamp 2,4x92	1	

Group	FRAME
Code	33.31
Description	Electrical system II
Service	1



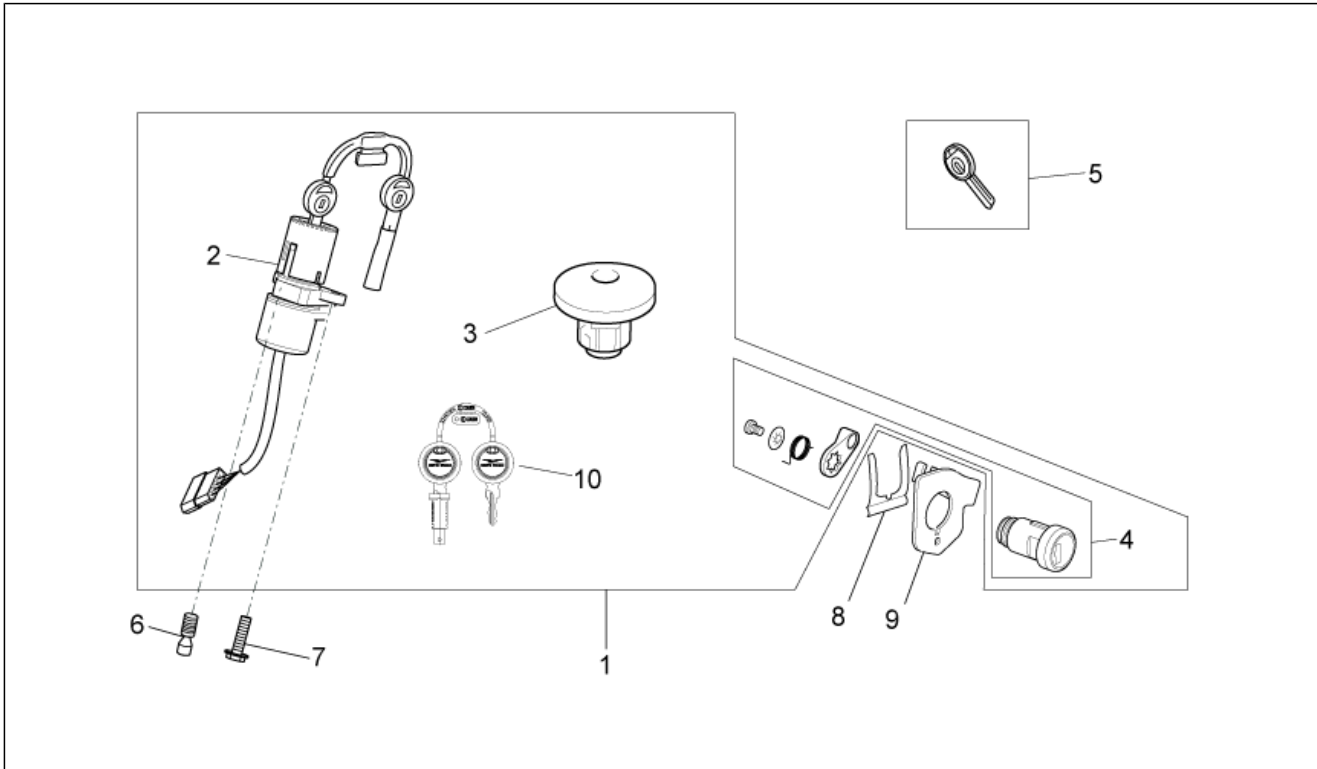
Pos.	Code	Description	Qty	Variants
1	883077	Main wiring harness	1	
2	GU29729461	Oil temperature sensor	1	
3	GU03163330	Sensor support	1	
4	GU95004210	Washer 10,2x18x2	1	
5	638733	Battery Yuasa 12V-12Ah (150x85x145)	1	
6	GU32418210	Bracket	1	
7	AP8144538	Gasket	1	
8	AP8152329	Phillips screw, SWP M5x20	2	
9	GU32517710	Decal "Battery service"	1	
10	GU32747910	Ground-battery lead	1	
11	883191	Wiring	1	
12	883161	Fuse block support	1	
13	GU98682212	Hex socket screw M5x12	2	
14	GU95100059	Washer 5,25x14x1,5	2	
15	AP8102375	Clip m5	2	
16	GU28742560	Fuse 15A	3	
17	AP8127346	Fuse 3A	1	
18	GU28742562	Fuse 30A	2	
19	883904	ECU	1	Year:2010[A] Country:Japan[J]
19	977308	ECU	1	Year:2009[9] Country:Japan[J]
19	977308	ECU	1	Country:Australia[AUS], Canadian[CA], Other country Europe[EU], Great Britain[UK], United States of America[USA]
20	AP8152329	Phillips screw, SWP M5x20	4	
21	GU95129101	Washer	1	
22	AP8124528	Speedometer sensor cpl.	1	
23	AP8152277	Screw w/ flange M6x12	2	

Group	FRAME
Code	33.31
Description	Electrical system II
Service	1



Pos.	Code	Description	Qty	Variants
24	AP8124266	Inclination sensor	1	
25	AP8144046	Rubber sensor support	1	
26	GU29732550	Relay 5 pin	1	
27	AP8220546	Relay rubber	2	
28	AP8124869	Injection relay	2	
29	AP8220283	Rubber spacer *	2	
30	AP8224462	Relay 12V/30A	1	
31	GU30729330	Air temp. Sensor	1	
32	GU30027931	Gasket	1	
33	AP8150421	Self-tap screw 2,9x12	2	
34	GU14609650	Hose clamp 3,6x20,6	31	
34	GU49609601	Hose clamp 2,4x92	1	

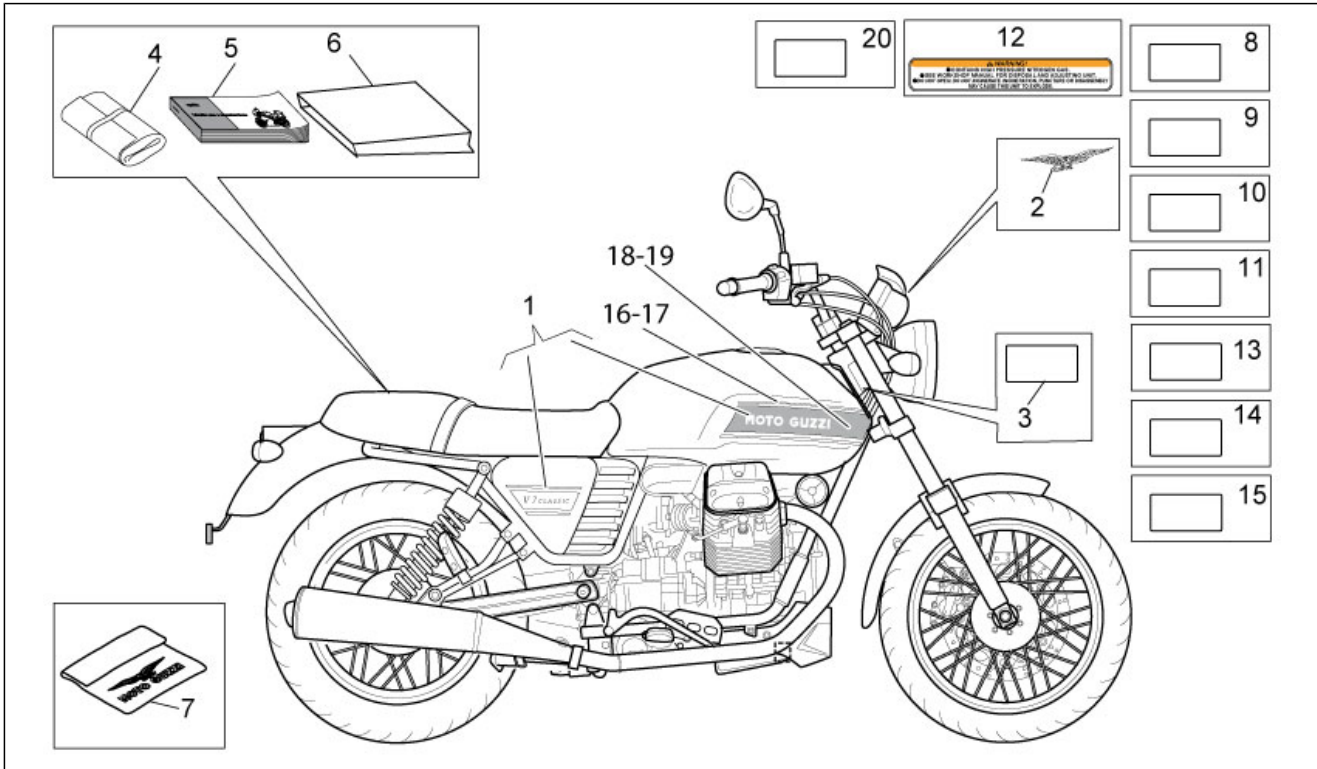
Group	FRAME
Code	33.32
Description	Lock hardware kit
Service	1



Pos.	Code	Description	Qty	Variants
1	883182	Lock kit	1	Country:Australia[AUS], Other country Europe[EU], Japan[J], Great Britain[UK]
1	883477	Lock kit	1	Country:Canadian[CA], United States of America[USA]
1	887989	Lock kit	1	Year:2012[C] Country:Canadian[CA], United States of America[USA]
2	GU32782510	Main switch - steering lock	1	
3	883185	Tank cap	1	Country:Australia[AUS], Other country Europe[EU], Japan[J], Great Britain[UK]
3	883476	Tank cap	1	Year:2009[9], 2010[A], 2011[B] Country:Canadian[CA], United States of America[USA]
3	GU32103961	Tank cap	1	Year:2012[C] Country:Canadian[CA], United States of America[USA]
4	977527	Serratura completa di chiavi	1	
5	GU32735510	Non indent.key blank-shell go	1	
5	GU32735511	Non indent.key blank-shell cr	1	
6	AP8150349	Special screw M8x15	1	
7	GU98682416	Hex socket screw M8x16	1	
8	AP8121420	Fork spring	1	
9	978415	Cable fixing plate	1	
10	2D000006	Cilindretto serratura con chiave per tappo benzina	1	



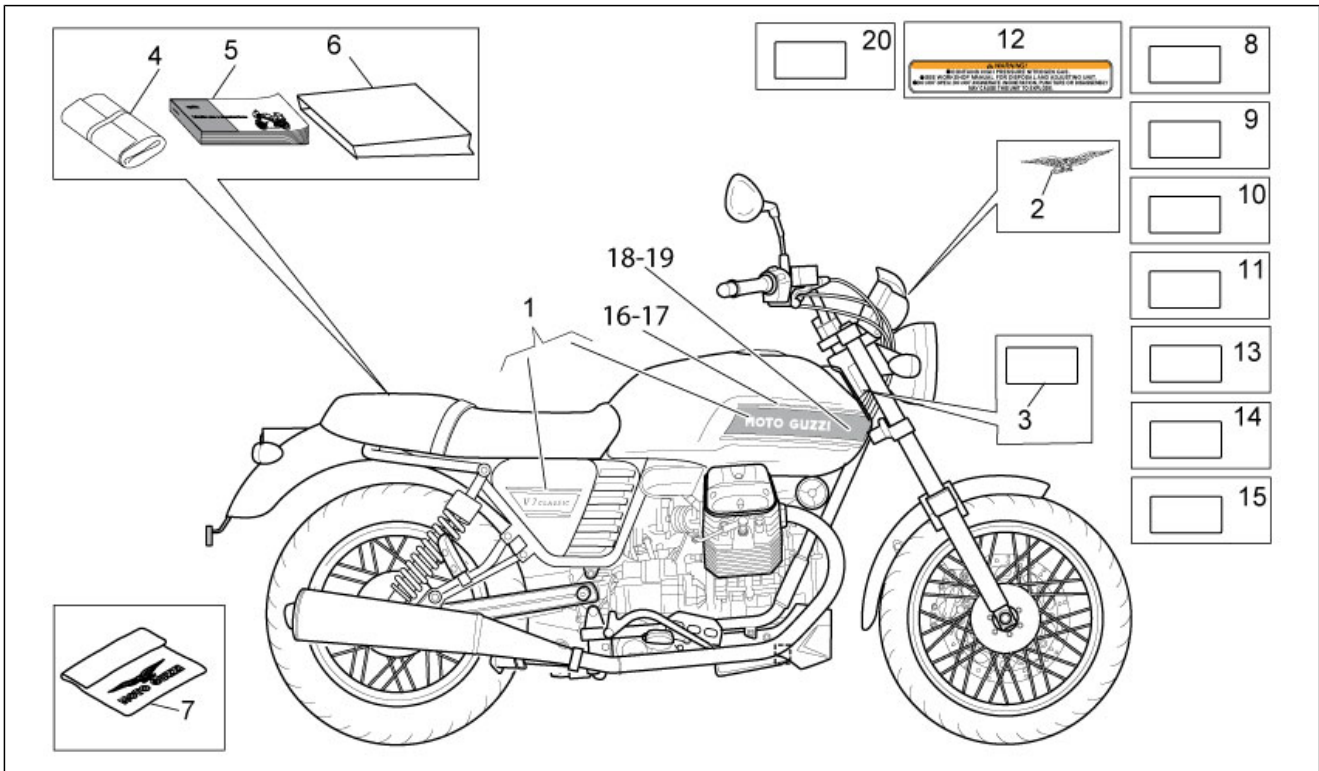
Group	FRAME
Code	33.33
Description	Decal and plate set
Service	1



Pos.	Code	Description	Qty	Variants
1	981081	Decal set	1	Year:2009[9], 2010[A] Vehicle colour:White diamond 2008[d.wh.]
1	981141	Decal set	1	Vehicle colour:Guzzi Black 2008-2010[g/bl]
2	883598	"Aquila" decal	1	Year:2011[B] Vehicle colour:Rosso Ibis 887017[red]
2	978551	"Aquila" decal	2	Year:2009[9], 2010[A] Vehicle colour:White diamond 2008[d.wh.], Guzzi Black 2008-2010[g/bl]
3	GU32944310	Guard decal	2	
4	GU32909960	Toolkit	2	
5	883194	Op's handbook I-D-F-E-UK-NL I-F-D-NL-E-UK	1	Country:Australia[AUS], Other country Europe[EU], Japan[J], Great Britain[UK]
5	883481	Operator's handbook	1	Country:Canadian[CA], United States of America[USA]
6	GU05900130	Bag for document	1	
7	GU30970200	Bike cover	1	
8	883735	Noise emission sticker	1	Year:2009[9], 2010[A] Country:Canadian[CA], United States of America[USA]
8	883911	Noise emission sticker	1	Year:2011[B] Country:Canadian[CA], United States of America[USA]
8	884198	Noise emission sticker	1	Year:2012[C]
9	883736	Emission control sticker	1	Year:2009[9], 2010[A] Country:Canadian[CA], United States of America[USA]
9	883912	Emission control sticker	1	Year:2011[B] Country:Canadian[CA], United States of America[USA]
9	884199	Emission control sticker	1	Year:2012[C]
10	883737	Shed scheme decal	1	Year:2009[9], 2010[A] Country:Canadian[CA], United States of America[USA]
10	883913	Shed scheme decal	1	Year:2011[B] Country:Canadian[CA], United States of America[USA]
10	884200	Shed scheme decal	1	Year:2012[C]
11	883445	Tyre pressure decal	1	Country:Canadian[CA], United States of America[USA]

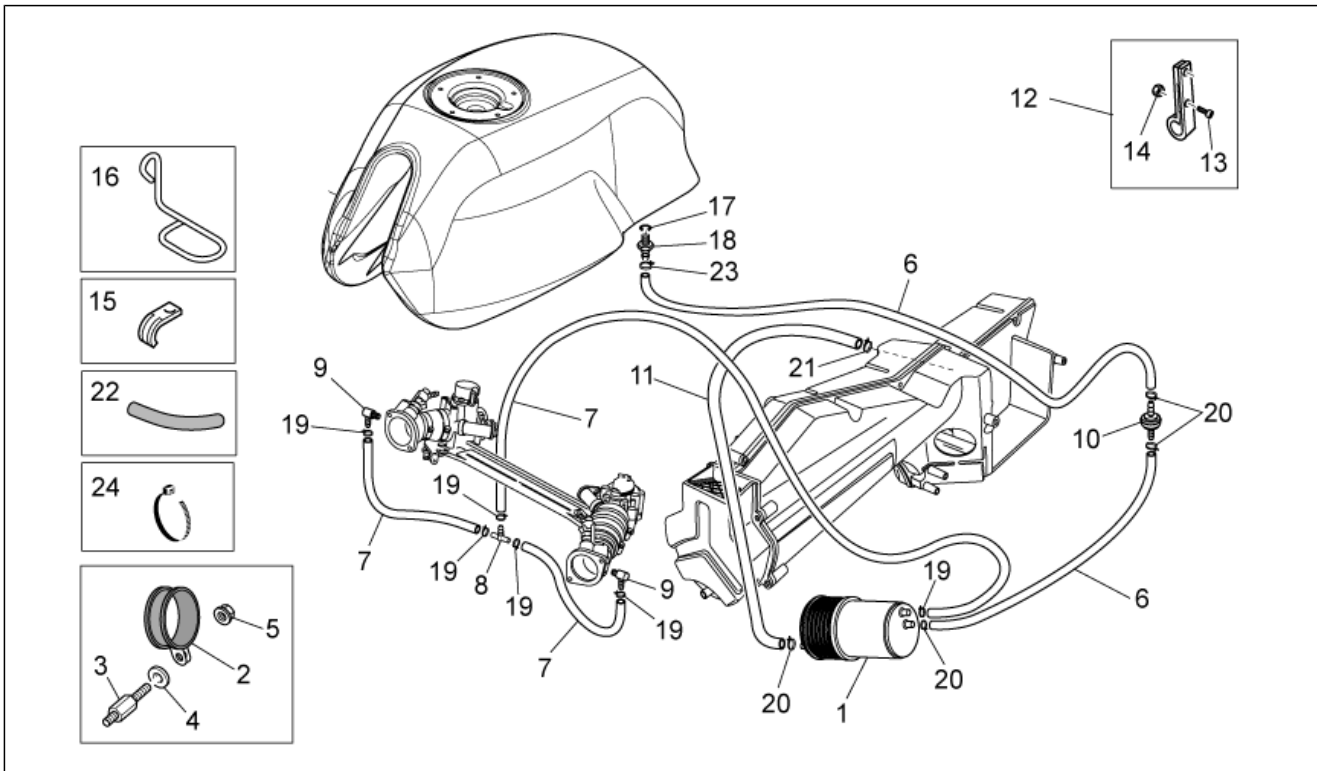


Group	FRAME
Code	33.33
Description	Decal and plate set
Service	1



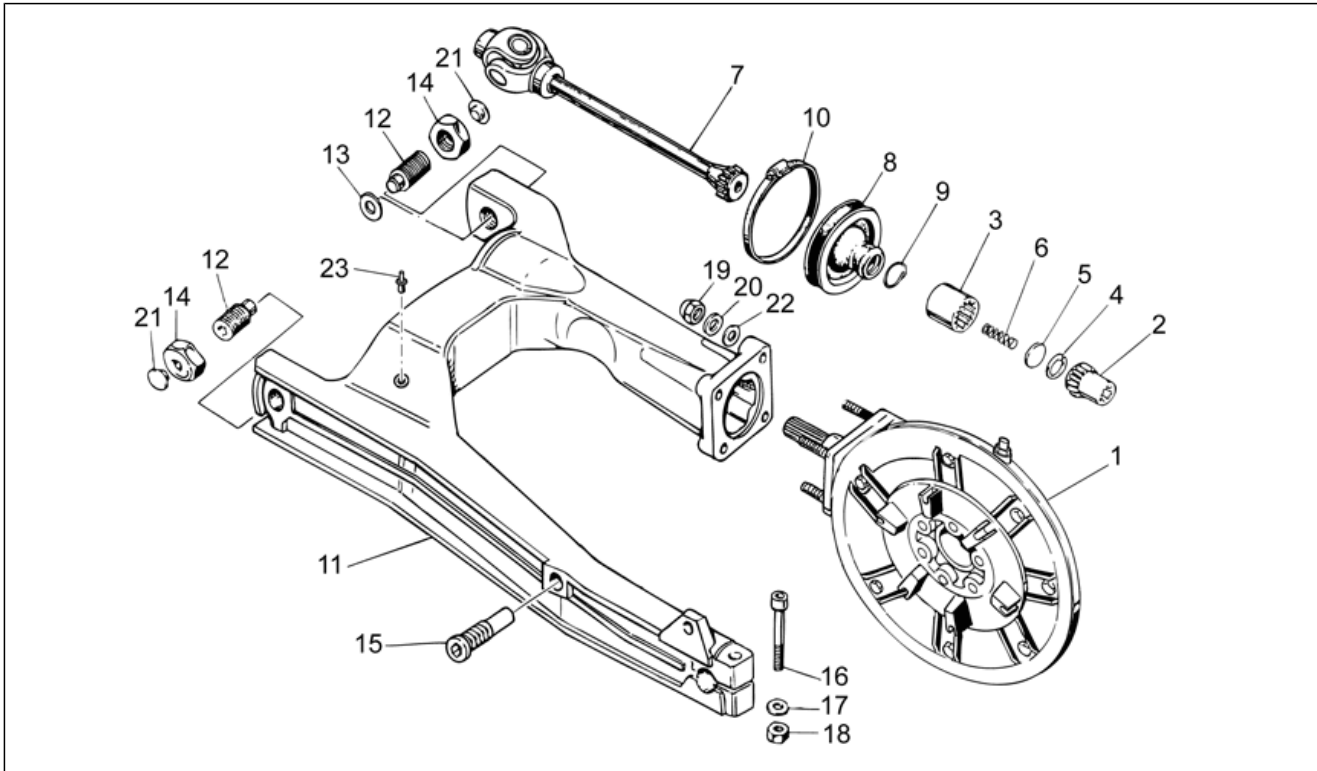
Pos.	Code	Description	Qty	Variants
12	AP8157100	Decal Shock Adsorber	1	Country:Canadian[CA], United States of America[USA]
13	AP8257609	Mirror decal	2	Country:Canadian[CA], United States of America[USA]
14	AP8257794	Battery decal	1	Country:Canadian[CA], United States of America[USA]
15	AP8257742	Keys warning decal	1	Country:Canadian[CA], United States of America[USA]
16	883665	Decalco serbatoio dx "aquila"	1	Vehicle colour:Nero Guzzi 2011-2012[black], Guzzi Black 2008-2010[g/bl]
16	887024	Decalco serbatoio dx "aquila"	1	Year:2011[B], 2012[C] Vehicle colour:rosso 2001/2012[g/red], Rosso Ibis 887017[red]
17	883666	Decalco serbatoio sx "aquila"	1	Vehicle colour:Nero Guzzi 2011-2012[black], Guzzi Black 2008-2010[g/bl]
17	887025	Decalco serbatoio sx "aquila"	1	Year:2011[B], 2012[C] Vehicle colour:Nero Guzzi 2011-2012[black], Rosso Ibis 887017[red]
18	887022	Decalco serbatoio dx fascia	1	Year:2011[B], 2012[C] Vehicle colour:rosso 2001/2012[g/red], Rosso Ibis 887017[red]
19	887023	Decalco serbatoio sx fascia	1	Year:2011[B], 2012[C] Vehicle colour:rosso 2001/2012[g/red], Rosso Ibis 887017[red]
20	886944	Decal "90 Anni Guzzi"	2	Year:2011[B]

Group	FRAME
Code	33.48
Description	Fuel vapour recover system
Service	1



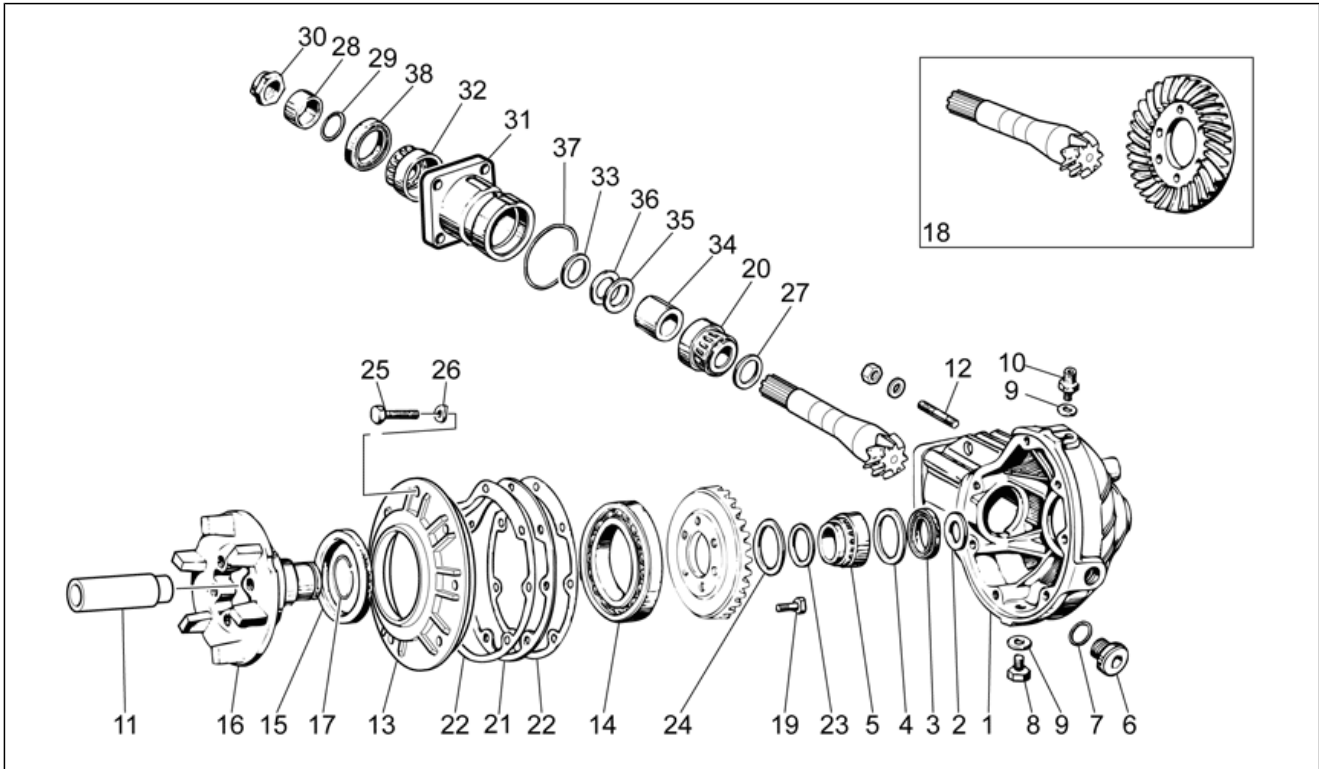
Pos.	Code	Description	Qty	Variants
1	AP8102678	Carbon filter	1	Country:Canadian[CA], United States of America[USA]
2	AP8102688	Hose clamp d.76	1	Country:Canadian[CA], United States of America[USA]
3	GU32439260	Canister support USA	1	Country:Canadian[CA], United States of America[USA]
4	GU95005311	Washer	1	Country:Canadian[CA], United States of America[USA]
5	AP8152299	Self-locking nut M6	1	Country:Canadian[CA], United States of America[USA]
6	856063	pipe SAE 30 d.12,7x6,35	2	Country:Canadian[CA], United States of America[USA]
7	856062	pipe SAE 30 d.11,11x4,8	3	Country:Canadian[CA], United States of America[USA]
8	AP8120116	3-way union	1	Country:Canadian[CA], United States of America[USA]
9	GU32115210	Joint	2	Country:Canadian[CA], United States of America[USA]
10	860138	Valve	1	Country:Canadian[CA], United States of America[USA]
11	856064	pipe SAE 30 d.14,3x7,9	1	Country:Canadian[CA], United States of America[USA]
12	GU03658330	Hose clamp	1	Country:Canadian[CA], United States of America[USA]
13	GU98257410	screw	1	Country:Canadian[CA], United States of America[USA]
14	GU92630104	Nut M4x0,7	1	Country:Canadian[CA], United States of America[USA]
15	GU93301313	U-bolt	1	Country:Canadian[CA], United States of America[USA]
16	AP8221114	Cable-guide	2	Country:Canadian[CA], United States of America[USA]
17	AP8120965	O-ring 2018	1	Country:Canadian[CA], United States of America[USA]
18	GU30103730	Joint	1	Country:Canadian[CA], United States of America[USA]
19	GU29108550	Hose clip 11,5x6	6	Country:Canadian[CA], United States of America[USA]
20	GU28157950	Hose clip 12,5x8	5	Country:Canadian[CA], United States of America[USA]
21	AP8102766	Hose clamp	1	Country:Canadian[CA], United States of America[USA]
22	GU00823923140	Thermal sheath	4	Country:Canadian[CA], United States of America[USA]
23	AP8201358	Hose clamp D 11,9	1	Country:Canadian[CA], United States of America[USA]
24	GU14609650	Hose clamp 3,6x20,6	3	Country:Canadian[CA], United States of America[USA]

Group	ENGINE
Code	34.09
Description	Transmission complete I
Service	1



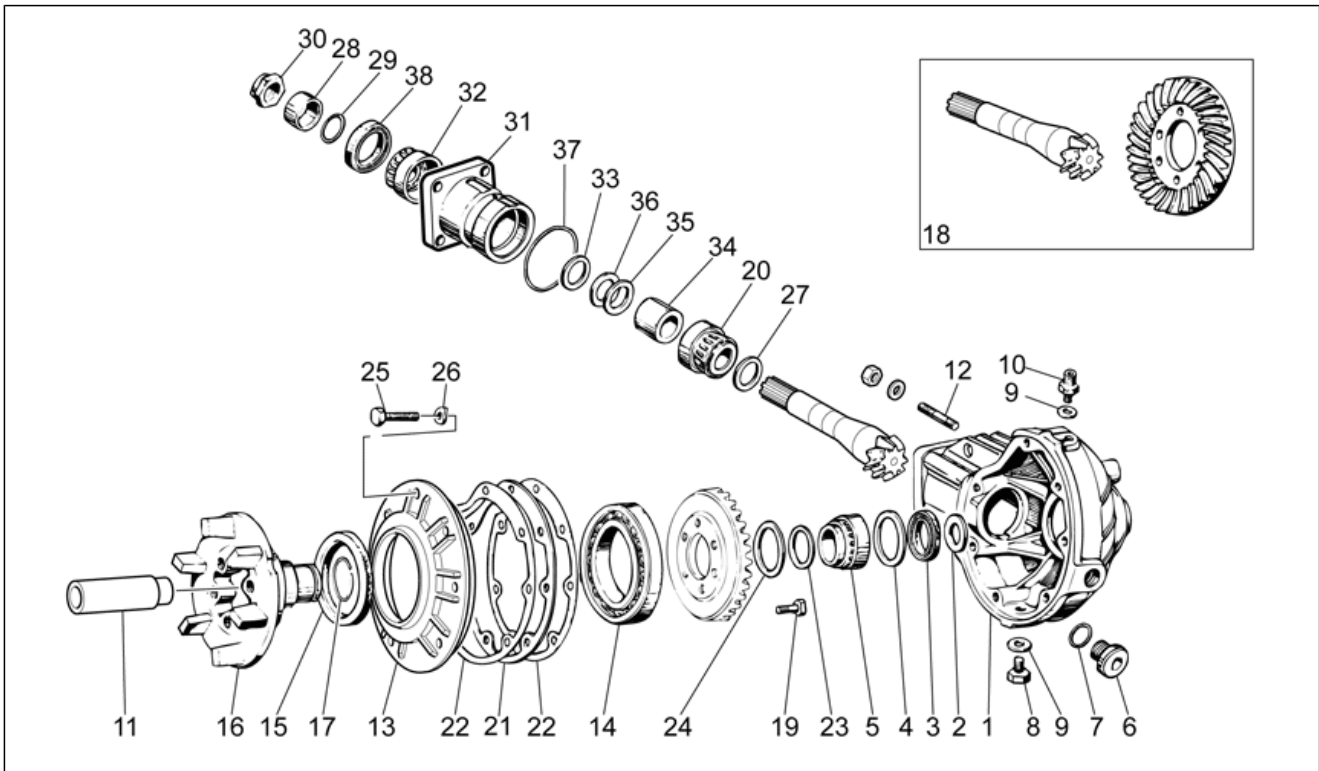
Pos.	Code	Description	Qty	Variants
1	976941	Transmission box assy., black	1	
2	GU31327783	Hose	1	
3	GU19328801	Hose	1	
4	GU90272023	Circlip	1	
5	GU19327601	Disc	1	
6	GU94321099	Spring	1	
7	GU23328081	Coupling	1	
8	GU23548080	Protection collar	1	
9	GU23548180	Spring	1	
10	AP8120246	Hose clamp D=60-80	1	
11	883011	Swing arm, black	1	
12	GU19547000	Pin	2	
13	GU35214300	Spacer	1	
14	GU31547882	Nut	2	
15	GU31544181	Pin	1	
16	GU98680545	screw M10x45	1	
17	GU95008210	Washer 10,2X18X2	1	
18	GU92606210	Nut M10x1,5	1	
19	GU92787008	Cap nut M8x1,25	4	
20	GU14615901	Washer 8,4X13X0,8	4	
21	GU93180105	Cover	2	
22	GU95005308	Washer 8,4x14,57x1,6	4	
23	GU03922280	Cover 5x9	1	

Group	ENGINE
Code	34.10
Description	Transmission complete II
Service	1



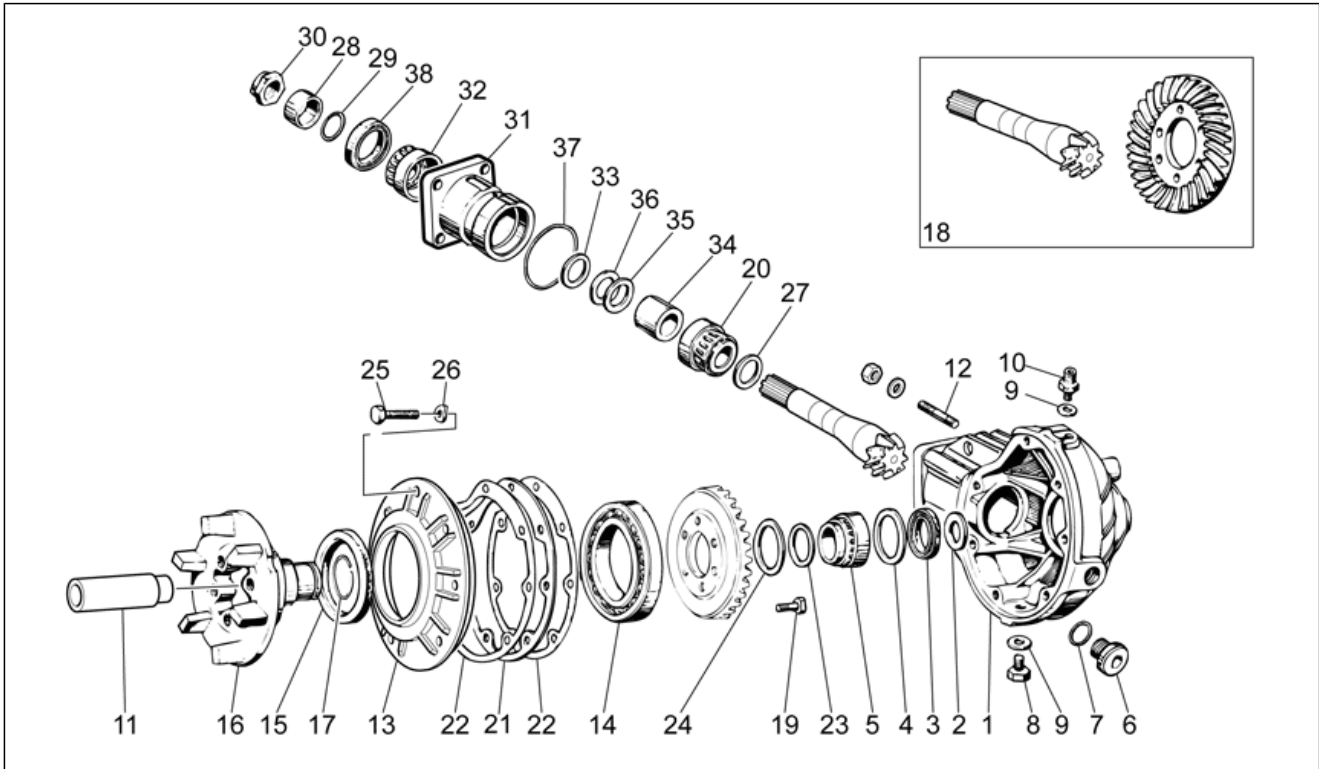
Pos.	Code	Description	Qty	Variants
1	976608	Transmission housingblack	1	
2	GU19351900	Clearance washer	1	
3	GU90403549	Gasket ring 35x47x7	1	
4	GU19351100	Clearance washer	1	
5	GU92252235	Roller bearing 35x50x17	1	
6	GU12022600	Oil plug	1	
7	GU90706203	O-ring 20,24x2,62	1	
8	GU31003766	Oil unload plug M10x1	1	
9	GU01528930	Gasket 10x18x1,5	2	
10	GU19206501	Breather plug	1	
11	GU32633560	Spacer	1	
12	GU96508055	Stud bolt	4	
13	GU32350410	Cover	1	
14	GU92201070	Ball bearing 70x110x13	1	
15	GU90407591	Gasket ring 75x95x10	1	
16	GU32351410	Pin	1	
17	GU90353030	Stop ring	1	
18	GU32354610	Bevel gear 8/33	1	
19	GU03067730	screw M8x25	6	
20	GU92249227	Tap.roller bearing 25x5	1	
21	GU19355400	Spacer 0,8 mm	1	
21	GU19355402	Spacer 0,9 mm	1	
21	GU19355404	Spacer 1 mm	1	
21	GU19355406	Spacer 1,1 mm	1	
21	GU19355408	Spacer 1,2 mm	1	
21	GU19355410	Spacer 1,3 mm	1	
21	GU19355411	Spacer 1,4 mm	1	
21	GU19355412	Spacer 1,5 mm	1	

Group	ENGINE
Code	34.10
Description	Transmission complete II
Service	1



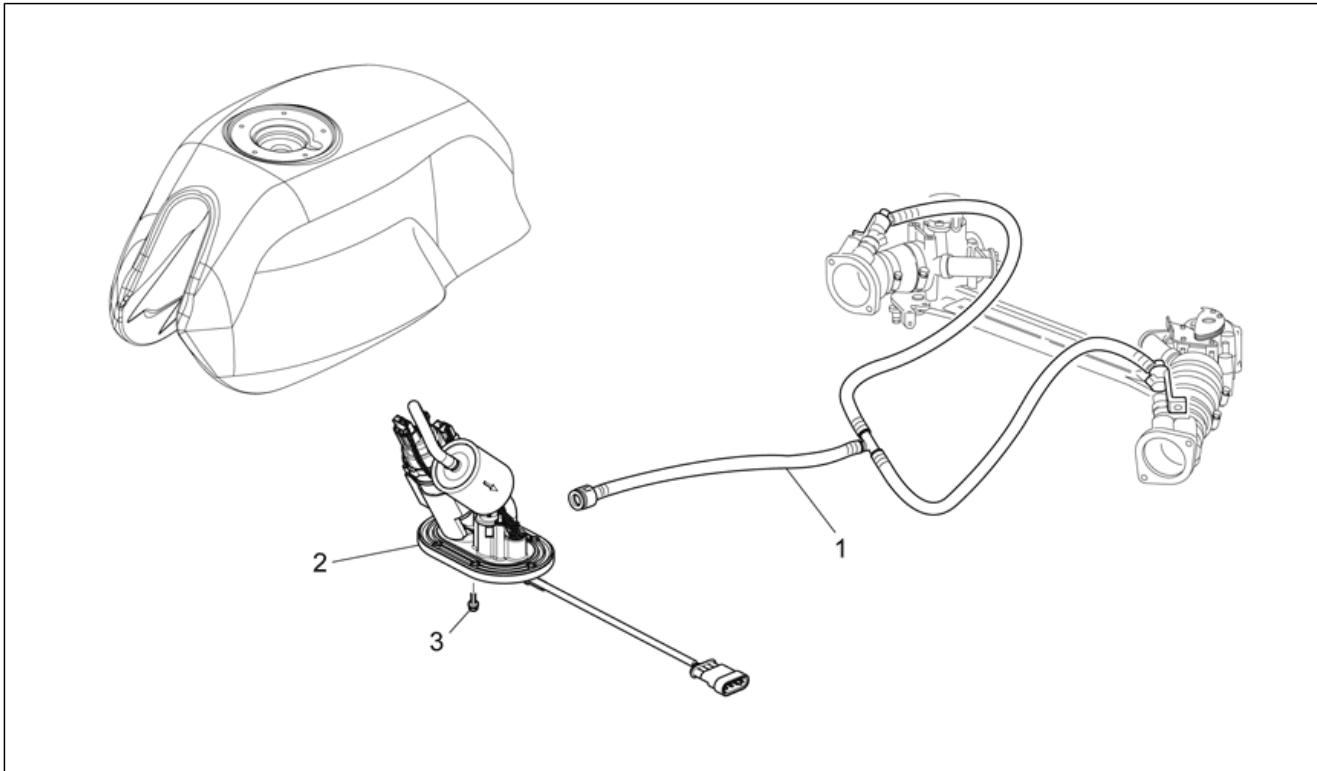
Pos.	Code	Description	Qty	Variants
21	GU19355413	Spacer 1,6 mm	1	
22	GU19350700	Gasket	2	
23	GU19352300	Thrust washer	1	
24	GU19353500	Thrust washer	1	
25	GU19357660	screw	7	
26	GU61270300	Spring washer 8x15x0,3	7	
27	GU19355320	Spacer 1 mm	1	
27	GU19355321	Spacer 1,1 mm	1	
27	GU19355322	Spacer 1,2 mm	1	
27	GU19355323	Spacer 1,3 mm	1	
27	GU19355324	Spacer 1,4 mm	1	
27	GU19355325	Spacer 1,5 mm	1	
27	GU19355326	Spacer 1,6 mm	1	
27	GU19355327	Spacer 1,7 mm	1	
27	GU19355328	Spacer 1,8 mm	1	
27	GU19355329	Spacer 1,9 mm	1	
28	GU19356801	Spacer	1	
29	GU90706188	Gasket ring 18,77X1,78	1	
30	GU19356700	Nut	1	
31	GU20352421	Flange	1	
32	GU92249220	Roller bearing 20x47x14	1	
33	GU19355300	Spacer 1 mm	1	
33	GU19355301	Spacer 1,1 mm	1	
33	GU19355302	Spacer 1,2 mm	1	
33	GU19355303	Spacer 1,3 mm	1	
33	GU19355304	Spacer 1,4 mm	1	
33	GU19355305	Spacer 1,5 mm	1	
33	GU19355306	Spacer 1,6 mm	1	

Group	ENGINE
Code	34.10
Description	Transmission complete II
Service	1



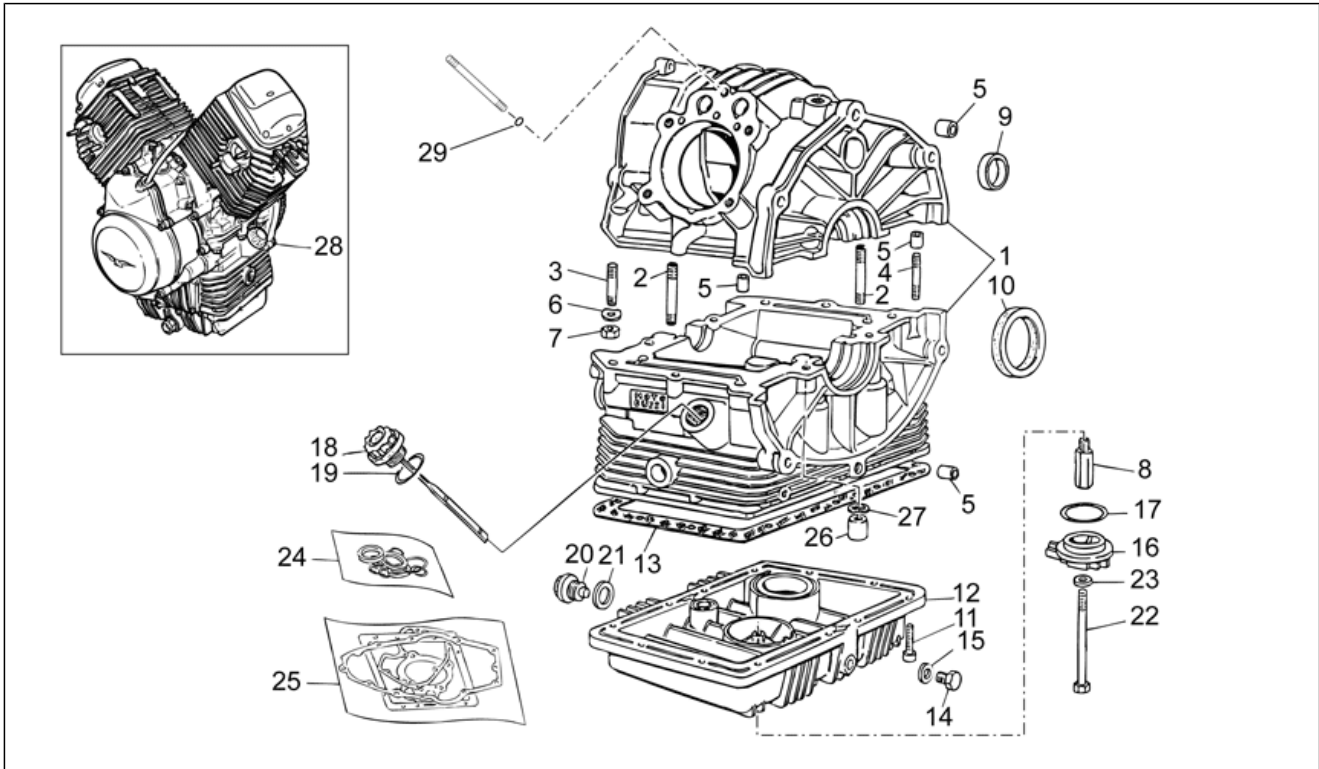
Pos.	Code	Description	Qty	Variants
33	GU19355307	Spacer 1,7 mm	1	
33	GU19355308	Spacer 1,8 mm	1	
33	GU19355309	Spacer 1,9 mm	1	
34	GU20355121	Spacer	1	
35	GU19355200	Shim 0,1 mm	1	
36	GU19355202	Shim 0,15 mm	1	
37	GU90706584	Gasket 58,42x2,62	1	
38	GU90403251	Gasket ring 32x47x10	1	

Group	ENGINE
Code	34.20
Description	Fuel supply
Service	1



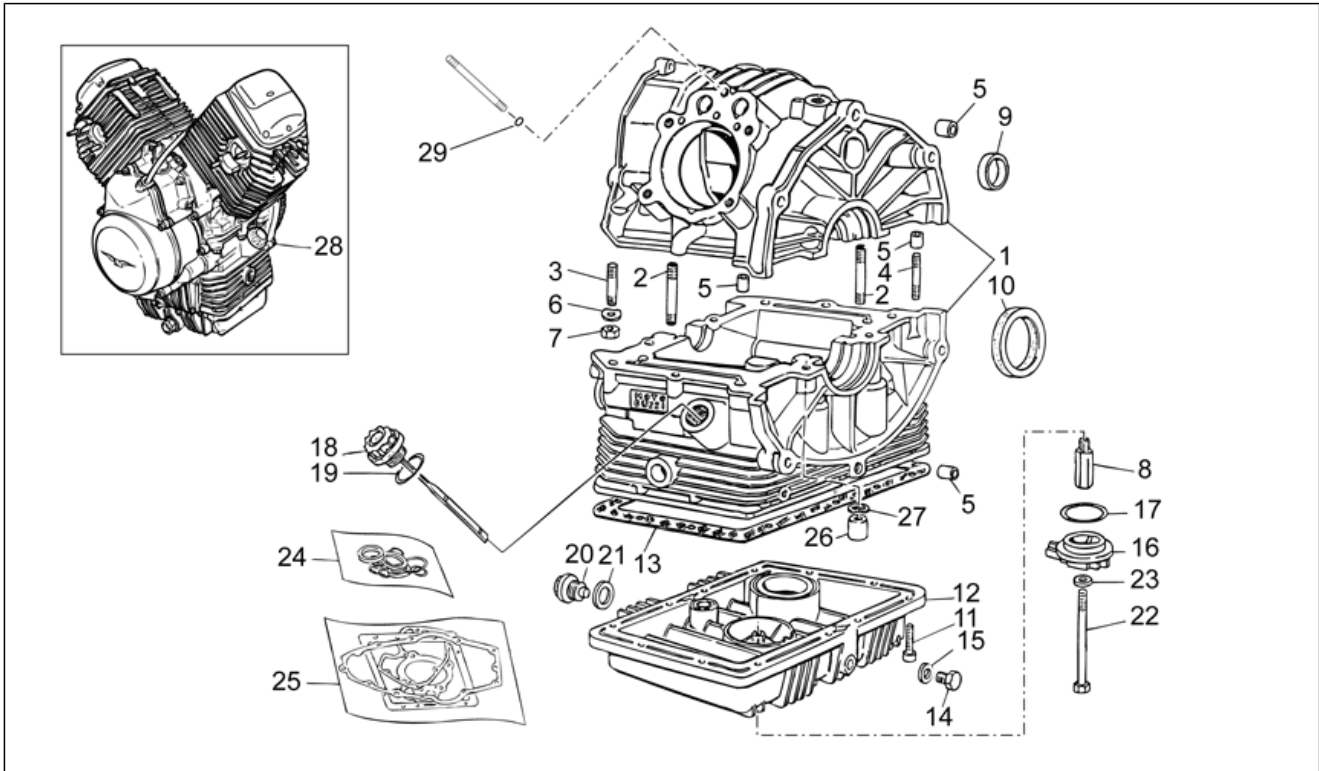
Pos.	Code	Description	Qty	Variants
1	883265	Fuel pipe	1	Year:2009[9], 2010[A], 2011[B]
1	GU32106560	Fuel pipe	1	Year:2012[C]
2	978930	Fuel pump	1	Year:2009[9], 2010[A], 2011[B] Country:Australia[AUS], Other country Europe[EU], Japan[J], Great Britain[UK] Technical Specifications:Serbatoio in plastica[PL]
2	B063645	Gruppo Aspirazione Carburante	1	Year:2012[C] Country:Canadian[CA], United States of America[USA]
2	B063752	Fuel pump	1	Country:Australia[AUS], Other country Europe[EU], Japan[J], Great Britain[UK] Technical Specifications:Serbatoio in ferro[FE]
3	AP8152273	Screw w/ flange M5x16	6	

Group	ENGINE
Code	34.34
Description	Crank-case
Service	1



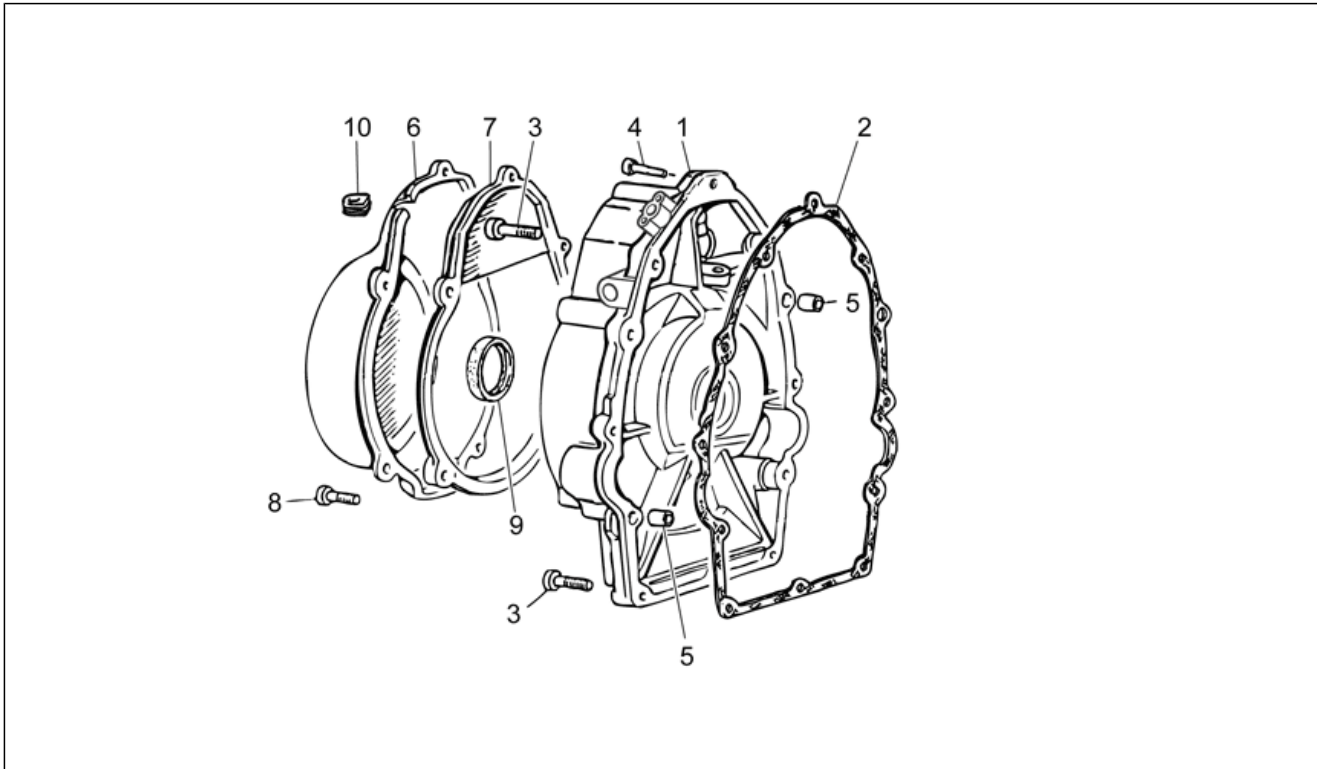
Pos.	Code	Description	Qty	Variants
1	976600	Crankcase black	1	
2	GU96451560	Stud bolt	4	
3	GU96451430	Stud bolt	4	
4	GU96508055	Stud bolt	2	
5	GU19015020	Bushing	4	
6	GU61270300	Spring washer 8x15x0,3	6	
7	GU92606208	Nut M8x1,25	6	
8	GU19003800	Joint	1	
9	GU19016320	Cover	1	
10	GU04000500	Gasket ring	1	
11	GU98682325	Hex socket screw M6x25	12	
12	976604	Oil sump black	1	
13	GU19003602	Gasket	1	
14	GU31003766	Oil unload plug M10x1	1	
15	GU10528900	Gasket	1	
16	976685	Plug	1	
17	GU90706444	O-ring	1	
18	GU27004985	Oil load plug	1	
19	GU90706281	O-ring 28,24x2,62	1	
20	GU12003702	Oil unload plug	1	
21	GU95100709	Gasket 20,1x28x2	1	
22	GU27152885	Bolt	1	
23	GU12154200	Gasket 8,25x15x1	1	
24	GU32999510	Oil seals - set	1	
25	GU32999010	Gasket set	1	
26	GU13021900	Column nut	4	
27	GU95129180	Washer 10,5X18X0,8	4	
28	976939	Engine assy w/hout transm.	1	

Group	ENGINE
Code	34.34
Description	Crank-case
Service	1



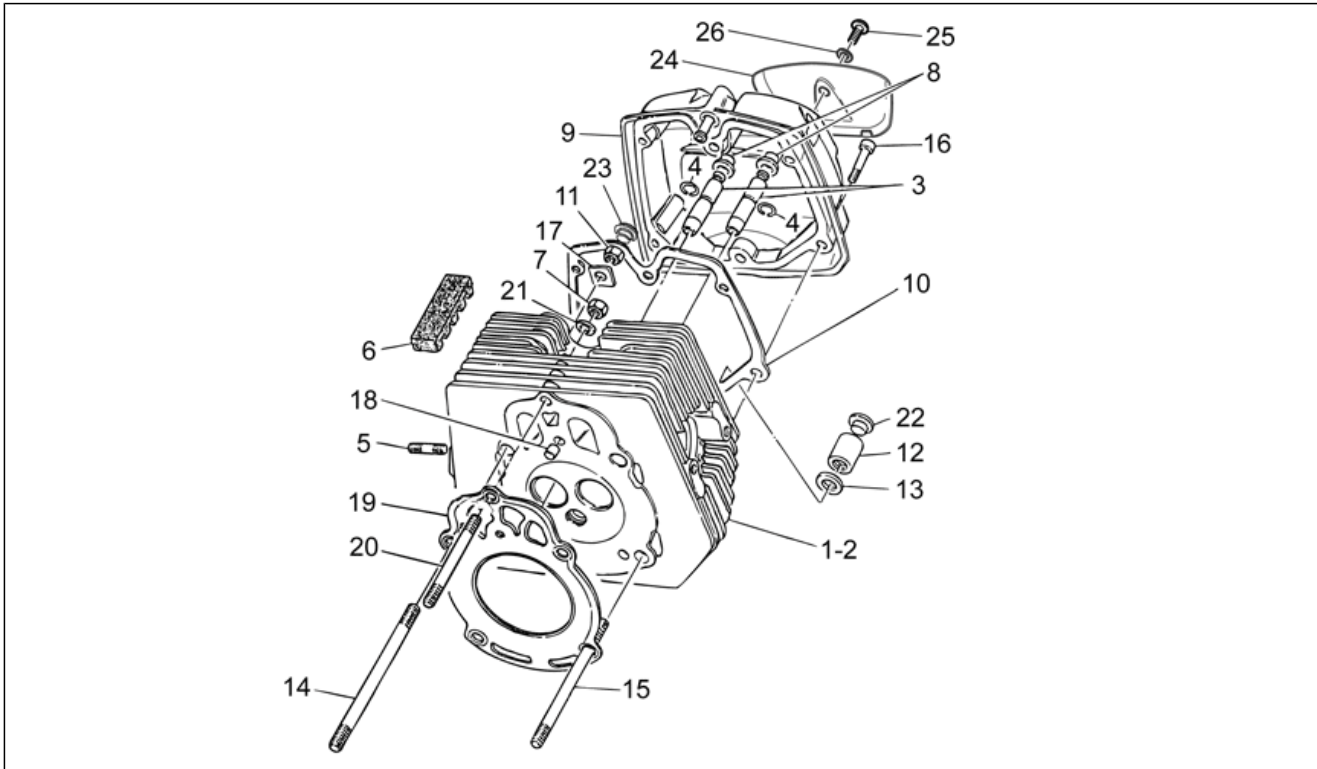
Pos.	Code	Description	Qty	Variants
29	GU90706076	O-ring	2	

Group	ENGINE
Code	34.35
Description	Timing system cover
Service	1



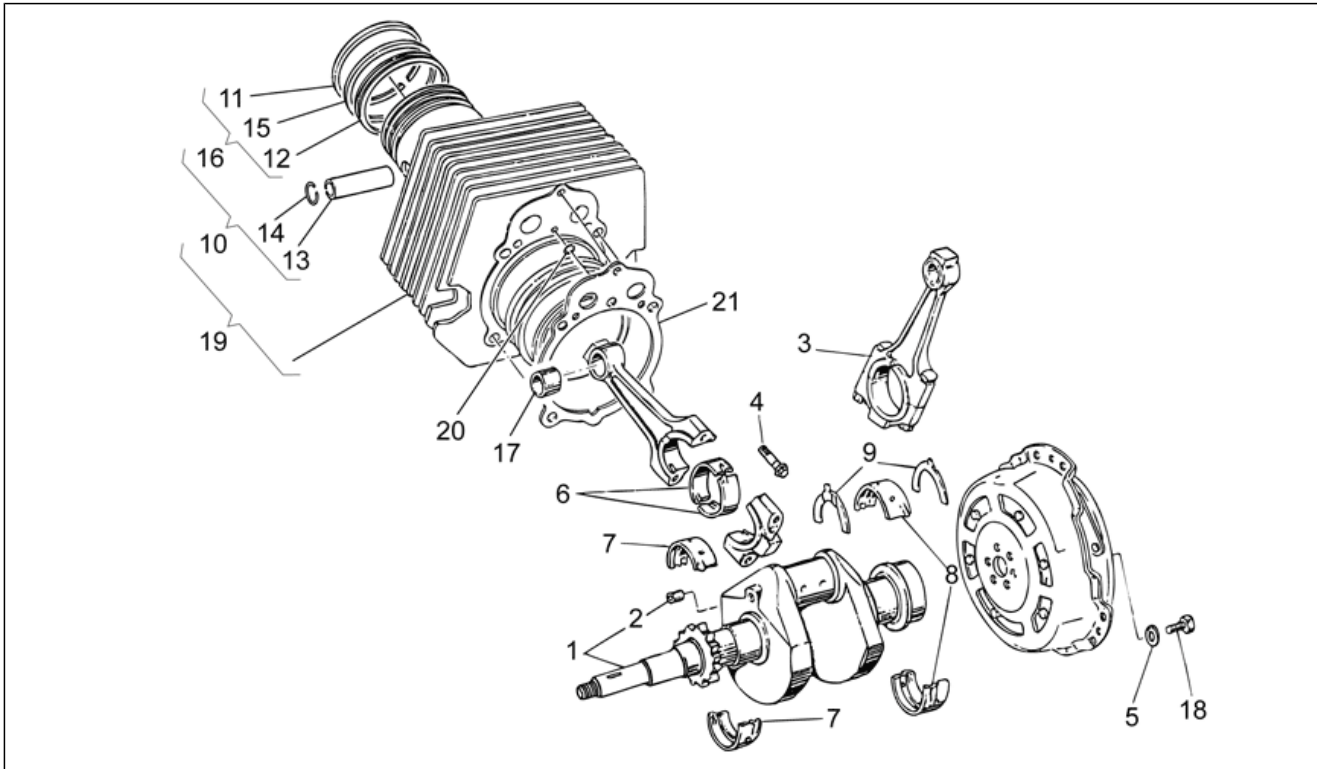
Pos.	Code	Description	Qty	Variants
1	976603	Timing cover black	1	
2	GU19001200	Gasket	1	
3	GU98682325	Hex socket screw M6x25	10	
4	GU98680330	Hex socket screw M6x30	2	
5	GU19002020	Bushing 6,6x9x13	2	
6	GU32001610	Cover	1	
7	GU27001136	Flange	1	
8	GU98680335	Hex socket screw M6x35	5	
9	GU90402842	Gasket ring	1	
10	GU19007700	Rubber spacer	1	

Group	ENGINE
Code	34.36
Description	Cylinder head
Service	1



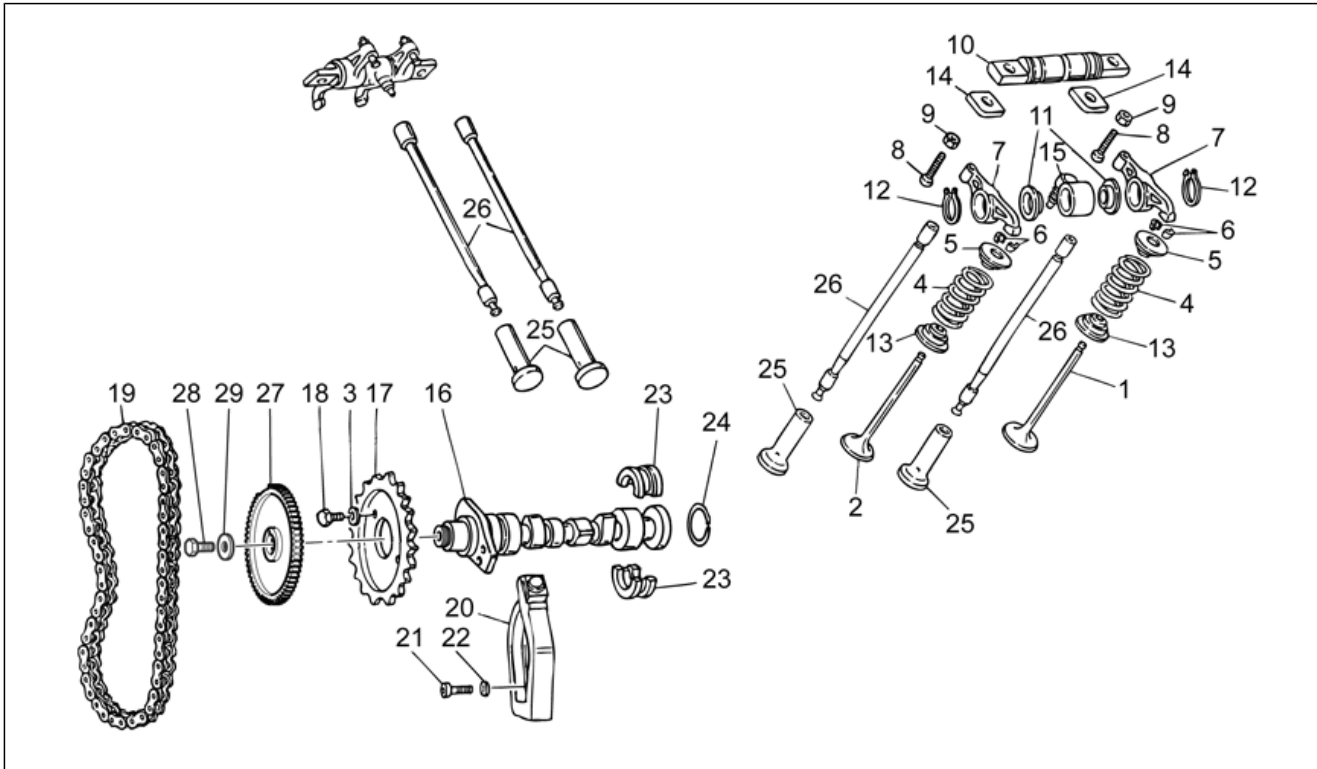
Pos.	Code	Description	Qty	Variants
1	GU32022110	RH cylinder head grey	1	
2	GU32022210	LH cylinder head grey	1	
3	GU61036801	Valve guide	4	
4	GU90353009	Snap ring	4	
5	GU96506042	Stud bolt	4	
6	GU19025300	Anti-vibration plate	4	
7	GU19021920	Nut	2	
8	GU19037820	Oil seal	4	
9	GU32023660	Head cover	2	
10	GU19023700	Gasket	2	
11	GU92603010	Nut M10X1,5	4	
12	GU13021900	Column nut	4	
13	GU95129180	Washer 10,5X18X0,8	4	
14	GU96510214	Stud bolt M10x214	4	
15	GU96510181	Stud bolt M10x182	4	
16	GU98692325	Hex socket screw M6x25	10	
17	GU19032980	Spacer	4	
18	GU19021360	Bushing	2	
19	GU27022060	Gasket	2	
20	GU96508145	Stud bolt M8x143	2	
21	GU61270300	Spring washer 8x15x0,3	2	
22	GU93180245	Cover	4	
23	AP8144071	Rubber exhaust	1	
24	GU32023410	Head cover	2	
25	AP8152339	Screw w/ flange M5x9	2	
26	GU14615901	Washer 8,4X13X0,8	2	

Group	ENGINE
Code	34.37
Description	Crankshaft cpl.
Service	1



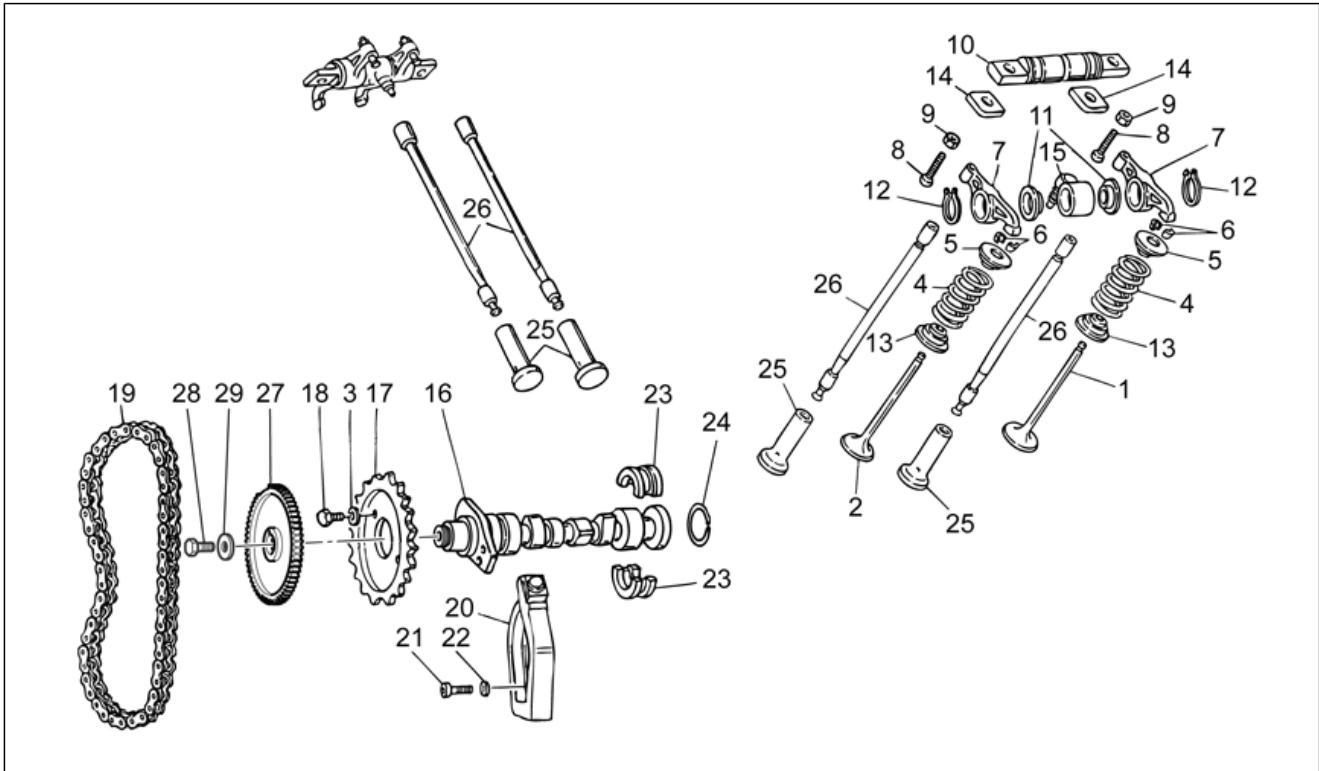
Pos.	Code	Description	Qty	Variants
1	GU32064110	Crankshaft cpl.	1	
2	GU19065400	Cover	1	
3	GU27061585	Connecting rod cpl.	2	
4	GU19062261	screw	4	
5	GU14615901	Washer 8,4X13X0,8	6	
6	GU27062060	Bearing half-shell	4	
7	GU27065660	Front main half-bearing	2	
8	GU27066560	Rear main half-bearing	2	
9	GU27066460	Half-clamp	2	
10	GU32060210	Piston assy	2	
11	GU32060710	Slot piston ring	2	
12	GU19061063	Scraper ring	2	
13	GU27061286	Piston pin	2	
14	GU27061385	Stop ring	4	
15	GU27060860	Slot piston ring	2	
16	GU32060610	Pistonring set	2	
17	GU27061885	Bushing	2	
18	GU19067700	screw	6	
19	GU32060110	Cylinder with piston, grey	2	
20	GU61027200	O-ring	2	
21	GU27020820	Gasket	2	

Group	ENGINE
Code	34.38
Description	Timing system
Service	1



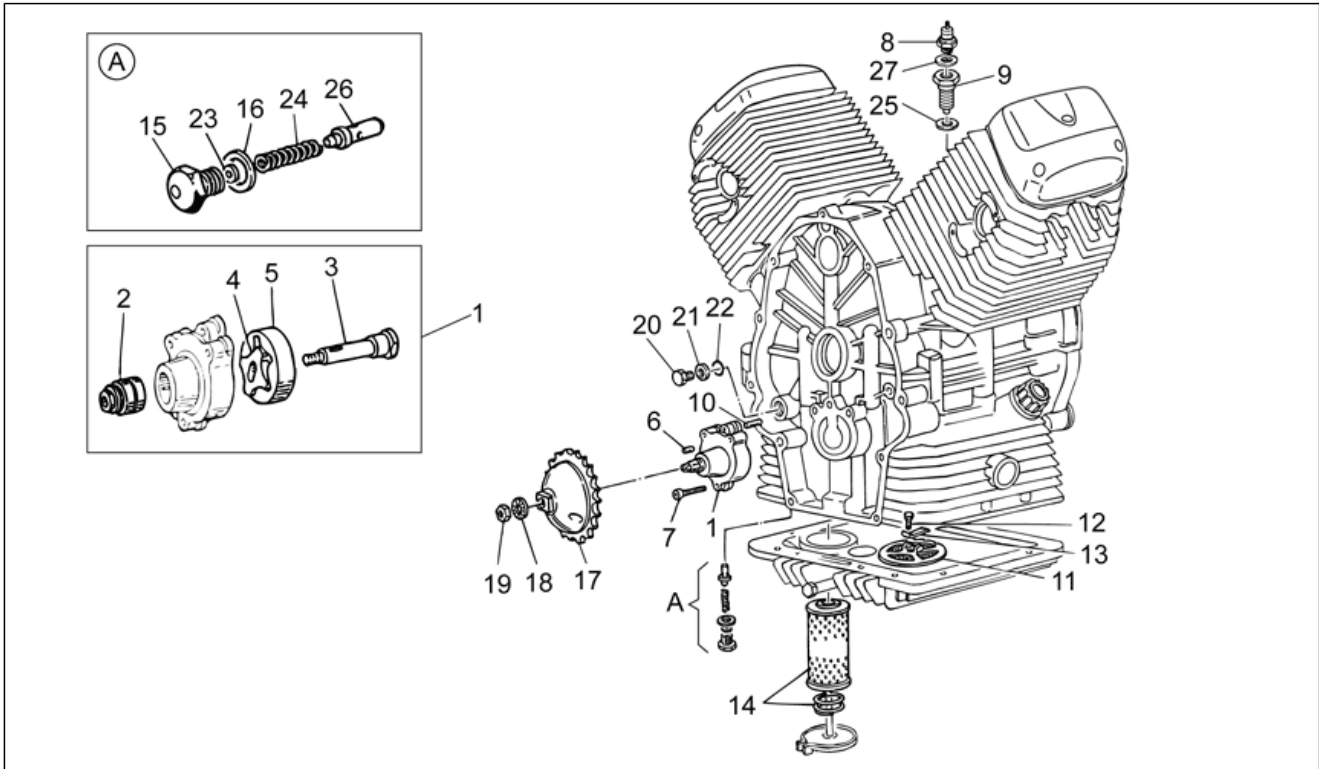
Pos.	Code	Description	Qty	Variants
1	GU20036020	Intake valve	2	
2	GU20036120	Exhaust valve	2	
3	GU23217800	Safety washer	2	
4	GU27037521	Spring	4	
5	GU31038015	Upper cup	4	
6	GU61038100	Half-cone	8	
7	GU19030500	Rocker arm assy.	4	
8	GU19034000	screw	4	
9	GU92602406	Nut M6x1	4	
10	GU19032080	Rocker shaft	2	
11	GU32032310	Thrust washer	4	
12	GU90271018	Circlip	4	
13	GU31037015	Lower cup	4	
14	GU19032980	Spacer	4	
15	GU19027500	Hose	2	
16	GU32053410	Camshaft	1	
17	GU32054510	Timing system gear	1	
18	GU61054900	Bolt	2	
19	GU19058021	Camshaft chain	1	
20	GU19058220	Chain stretching drive	1	
21	GU98882316	screw	1	
22	GU95129115	Washer	1	
23	GU19055700	Sector	2	
24	GU90353029	Snap ring	1	
25	GU19045861	Tappet	4	
26	GU31045015	Rocker arm rod	4	
27	GU32051710	Wheel speed sensor, left front	1	
28	GU98054422	screw M8x22	1	

Group	ENGINE
Code	34.38
Description	Timing system
Service	1



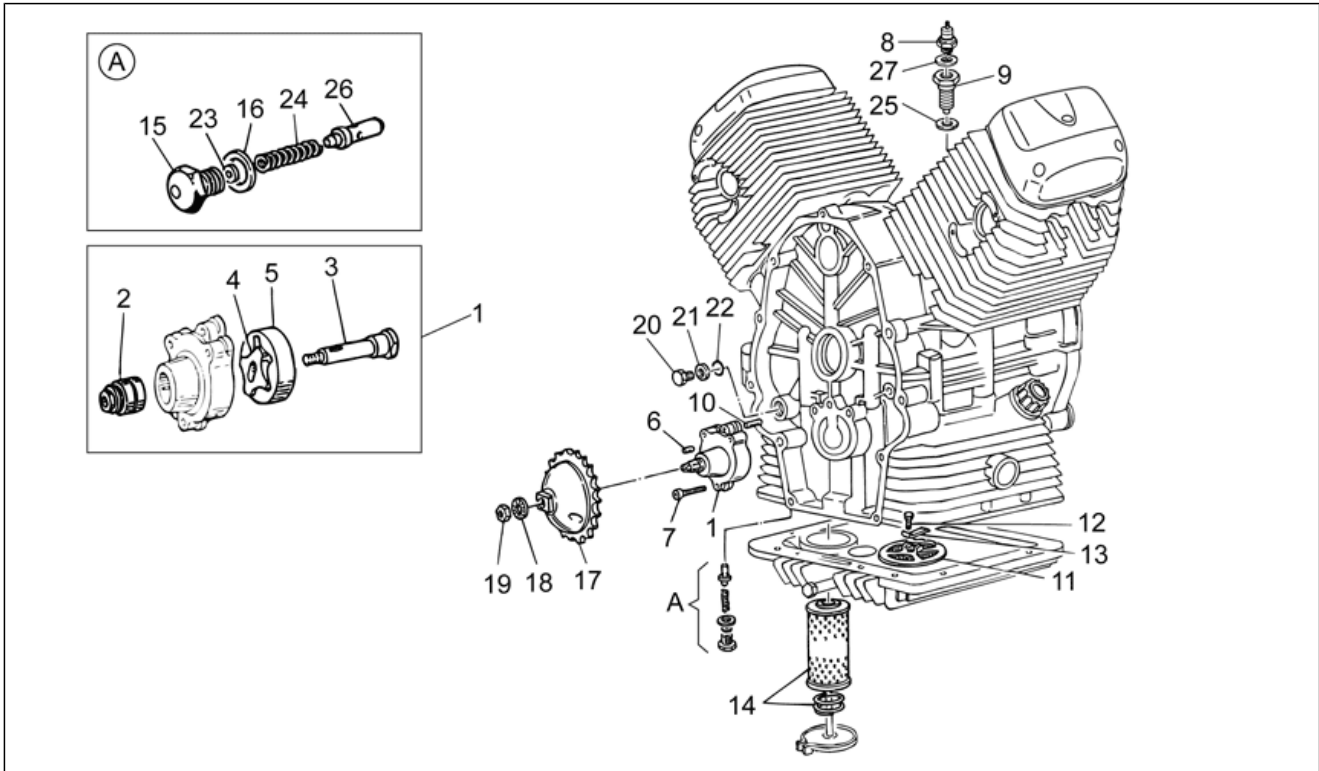
Pos.	Code	Description	Qty	Variants
29	GU95100244	Washer	1	

Group	ENGINE
Code	34.39
Description	Oil pump
Service	1



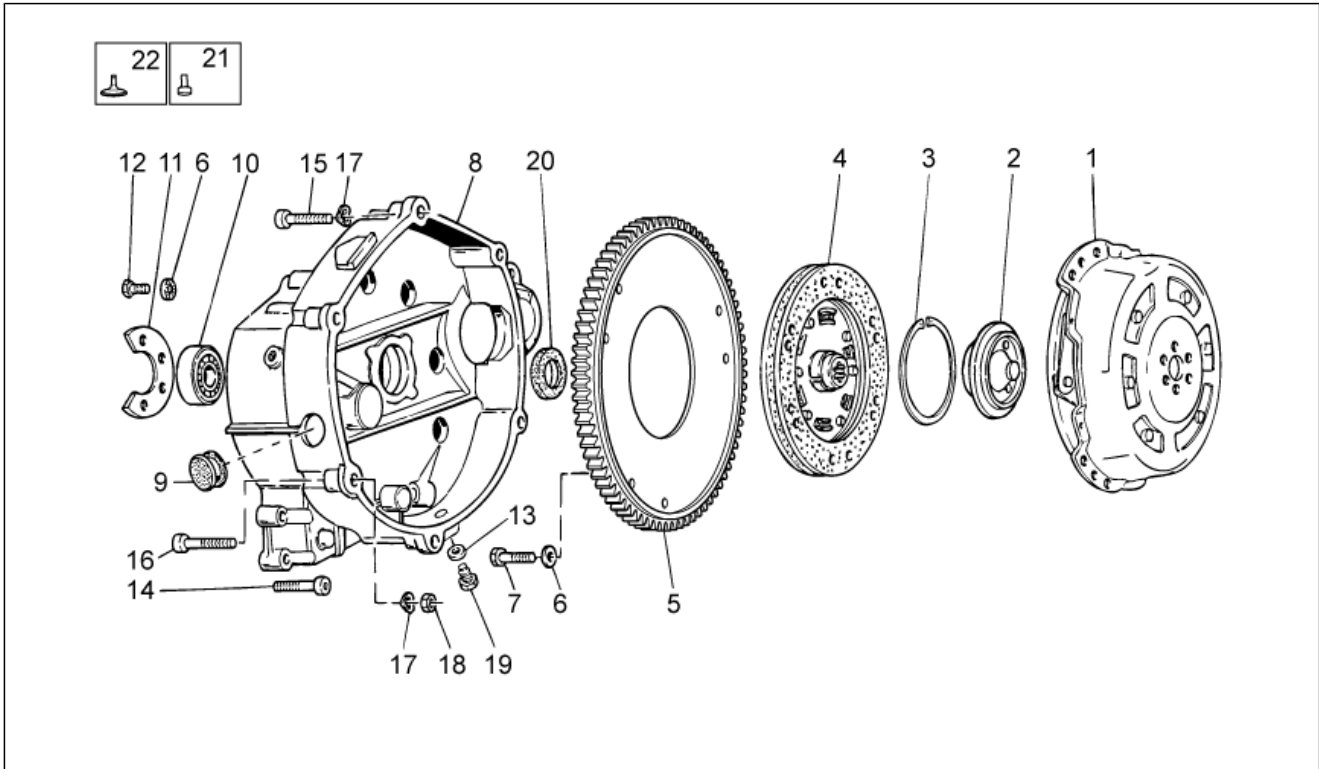
Pos.	Code	Description	Qty	Variants
1	GU19146422	Oil pump	1	
2	GU92252210	Roller bearing 10x22x20	1	
3	GU20147810	Oil pump shaft assy.	1	
4	GU20148410	Inner rotor	1	
5	GU20148610	Outer rotor	1	
6	GU92296723	Roller	1	
7	GU98620335	screw M6x35	3	
8	641541	Oil pressure sensor	1	
8	GU32768710	Pressure sensor	1	
9	887093	Union	1	
9	GU32768810	Union	1	
10	GU19018920	Pin	2	
11	GU19152200	Oil filter	1	
12	GU98084314	Hex screw M6x14	1	
13	GU95187006	Plate	1	
14	GU27153085	Oil filter	1	
15	GU31159050	Cover	1	
16	GU18144350	Washer 18,25x24x1	3	
17	GU20147710	Pump gear	1	
18	GU19149800	Washer 10,5x16x1	1	
19	GU92602510	Nut M10x1,25	1	
20	GU31016050	Cover	1	
21	GU18161150	Gasket 14,25	1	
22	GU90706111	O-ring	1	
23	GU95008206	Washer 6,15x11x0,8	3	
24	GU94321079	Spring	1	
25	GU95100602	Gasket	1	
26	GU31159050	Piston	1	

Group	ENGINE
Code	34.39
Description	Oil pump
Service	1



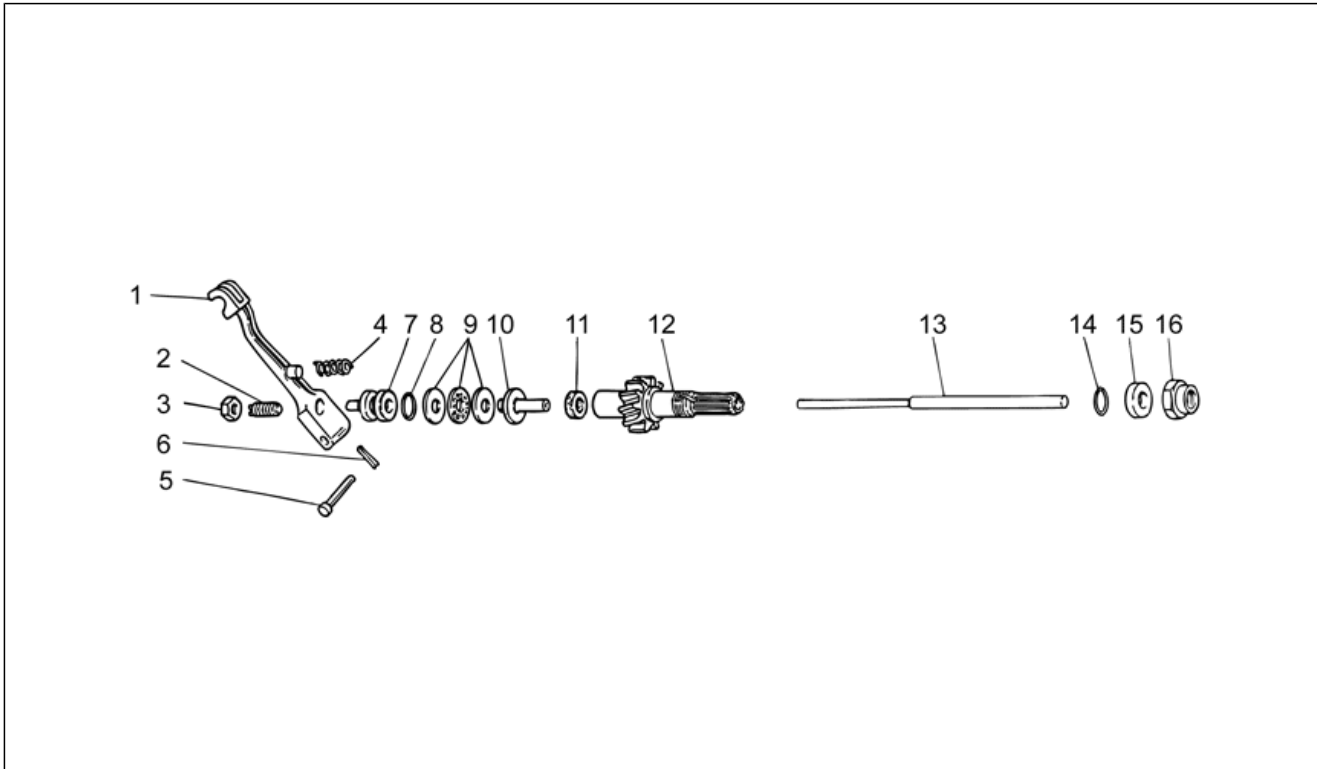
Pos.	Code	Description	Qty	Variants
27	GU95100309	Washer	1	

Group	ENGINE
Code	34.40
Description	Clutch I
Service	1



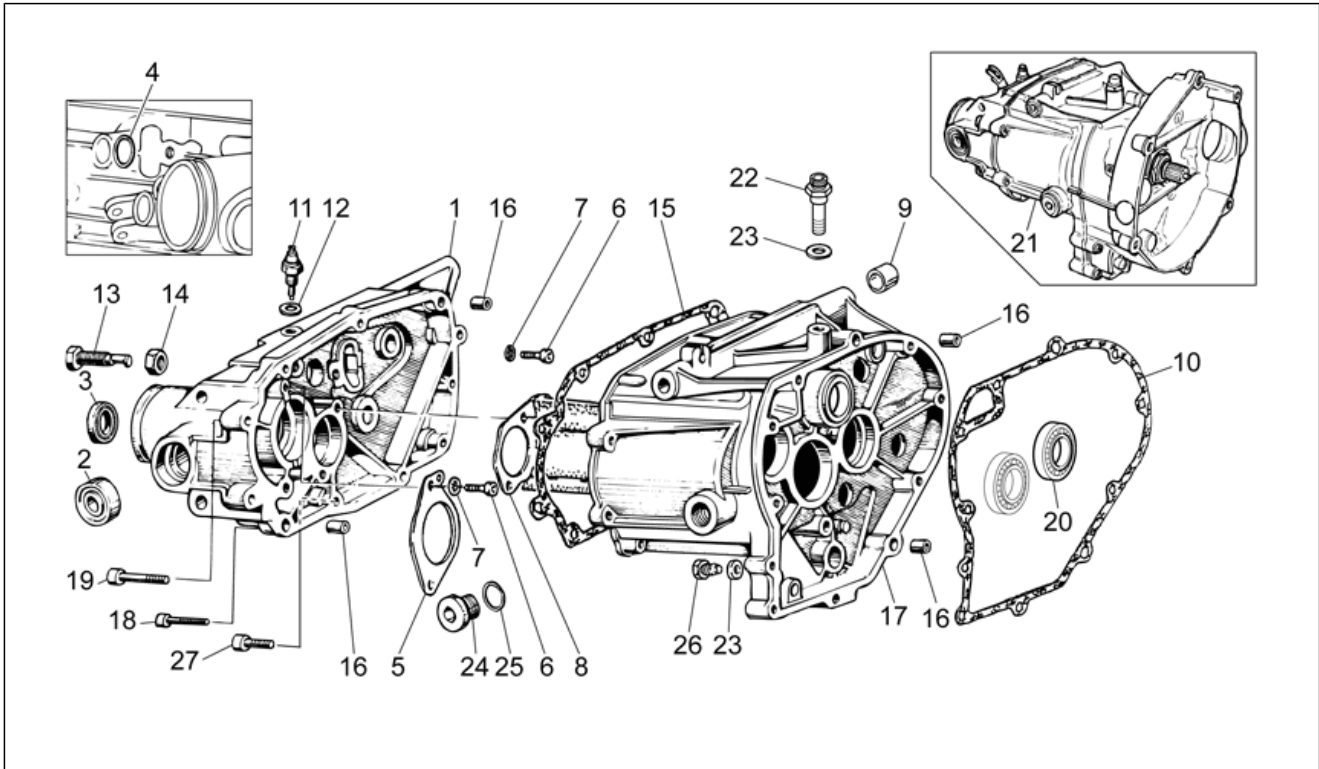
Pos.	Code	Description	Qty	Variants
1	GU32080310	Clutch	1	
2	GU19083462	New cup type	1	
3	GU90272075	Snap ring	1	
4	GU32084410	Driven clutch disc	1	
5	GU32067910	Chain ring	1	
6	GU14217901	Washer 6,4x10x0,7	9	
7	GU98084316	Hex screw	6	
8	981070	Clutch drum	1	
9	GU93180220	Cover	1	
10	GU92201225	Bearing 25x52x15	1	
11	GU19203460	Bearing fixing plate	1	
12	GU98084314	Hex screw M6x14	3	
13	GU10528900	Gasket	1	
14	GU98682330	Hex socket screw M6x20	11	
15	GU98680435	Hex socket screw M8x35	5	
16	GU98680450	Hex socket screw M8x50	1	
17	GU61270300	Spring washer 8x15x0,3	6	
18	GU92606208	Nut M8x1,25	1	
19	GU31003766	Oil unload plug M10x1	1	
20	GU90403246	Gasket ring 32x45x7	1	
21	GU23204471	Getto per a.s.	1	
22	GU23204571	Getto per a.p.	1	

Group	ENGINE
Code	34.41
Description	Clutch II
Service	1



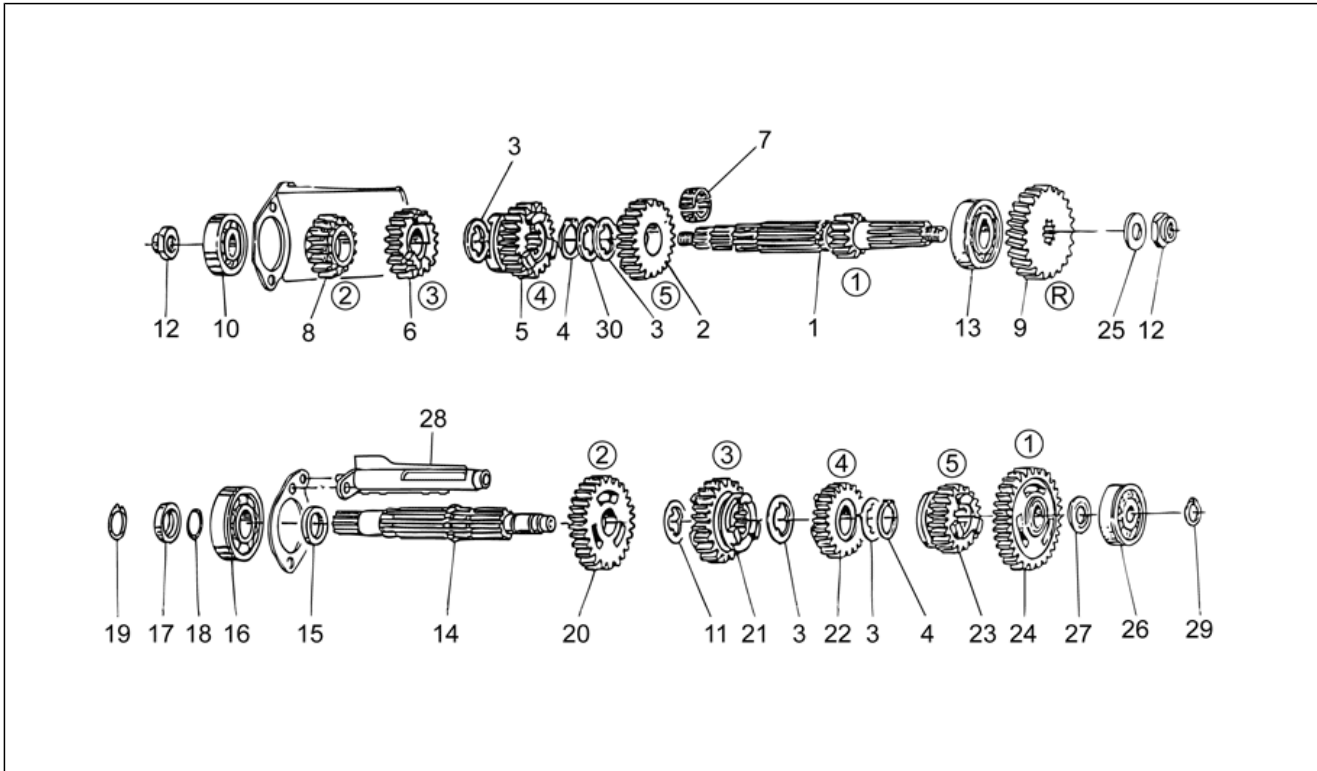
Pos.	Code	Description	Qty	Variants
1	GU14090201	Clutch release shaft	1	
2	GU14090400	Adjuster screw	1	
3	GU92606508	Nut	1	
4	GU94321105	Lever return spring	1	
5	GU95780271	Pin 7x39	1	
6	GU95500222	Split pin	1	
7	GU14086100	Outer body	1	
8	GU90706170	O-ring 17,13x2,62	1	
9	GU12087001	Thrust bearing	1	
10	GU14086000	Inner body	1	
11	GU90400616	Gasket ring 6x16x7	1	
12	GU27210760	Transmission shaft Z=16	1	
13	GU20085720	Rod	1	
14	GU90706235	O-ring 23,52x1,78	1	
15	GU19213760	Spacer	1	
16	GU19356760	Nut	1	

Group	ENGINE
Code	34.42
Description	Transmission cage
Service	1



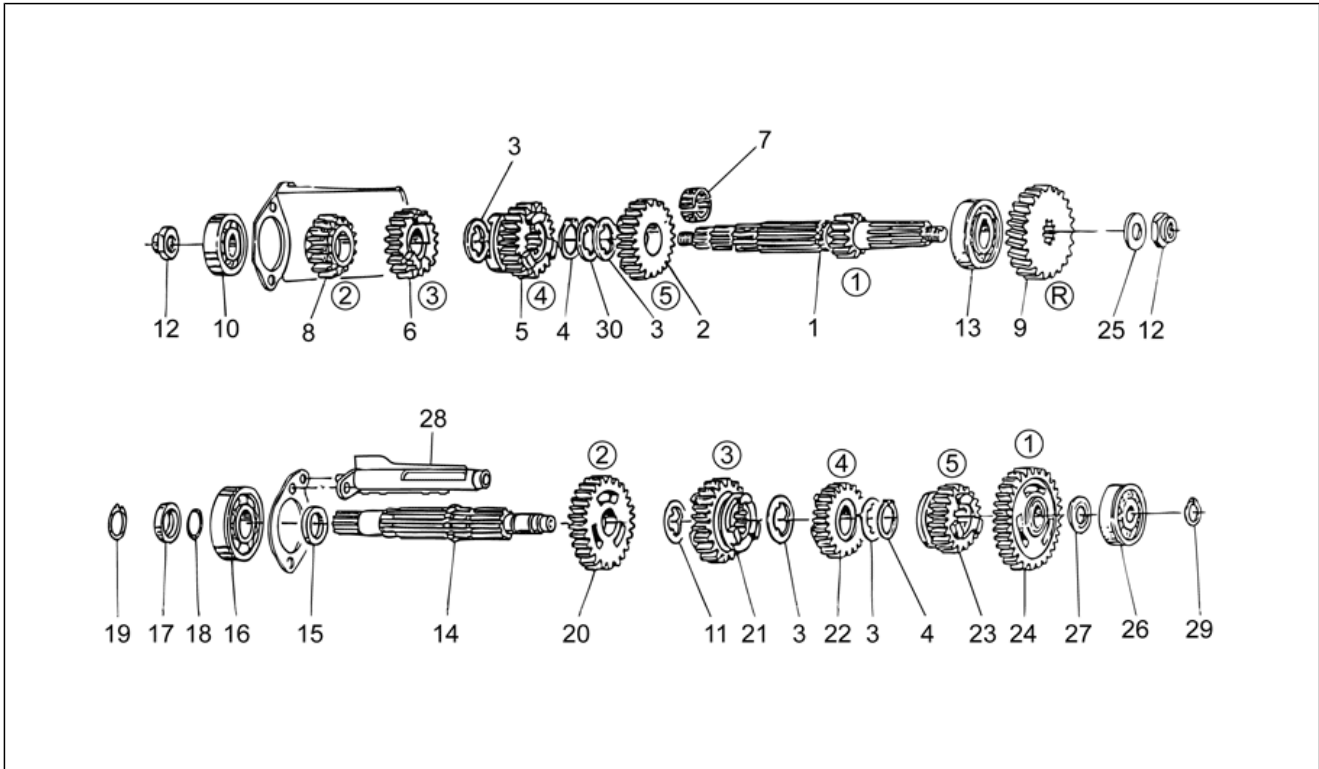
Pos.	Code	Description	Qty	Variants
1	976605	Gearbox cover	1	
2	GU92204215	Bearing 15x35x11	2	
3	GU90402841	Gasket ring 28x40x7	1	
4	GU90706140	O-ring 13,95x2,92	1	
5	GU32213810	Plate	1	
6	GU98682314	Hex socket screw M6x14	4	
7	GU14217901	Washer 6,4x10x0,7	4	
8	GU32208210	Oil bulhead	1	
9	GU19202320	Bushing 10,25x15,7x8	2	
10	GU23200370	Gasket	1	
11	GU19207220	Sensor	1	
12	GU12154200	Gasket 8,25x15x1	1	
13	GU19237800	Screw M12x1,25	1	
14	GU92606512	Low nut M12x1,25	1	
15	GU19201120	Gasket	1	
16	GU19002020	Bushing 6,6x9x13	4	
17	976606	Gearbox black	1	
18	GU98682330	Hex socket screw M6x20	5	
19	GU98680435	Hex socket screw M8x35	4	
20	GU92201120	Ball bearing 20x42x12	1	
21	976940	Transmission assy and housing	1	
22	GU32206510	Breather plug	1	
23	GU10528900	Gasket	2	
24	GU12022600	Oil plug	1	
25	GU90706203	O-ring 20,24x2,62	1	
26	GU31003766	Oil unload plug M10x1	1	
27	GU98680335	Hex socket screw M6x35	2	

Group	ENGINE
Code	34.43
Description	Gear box
Service	1



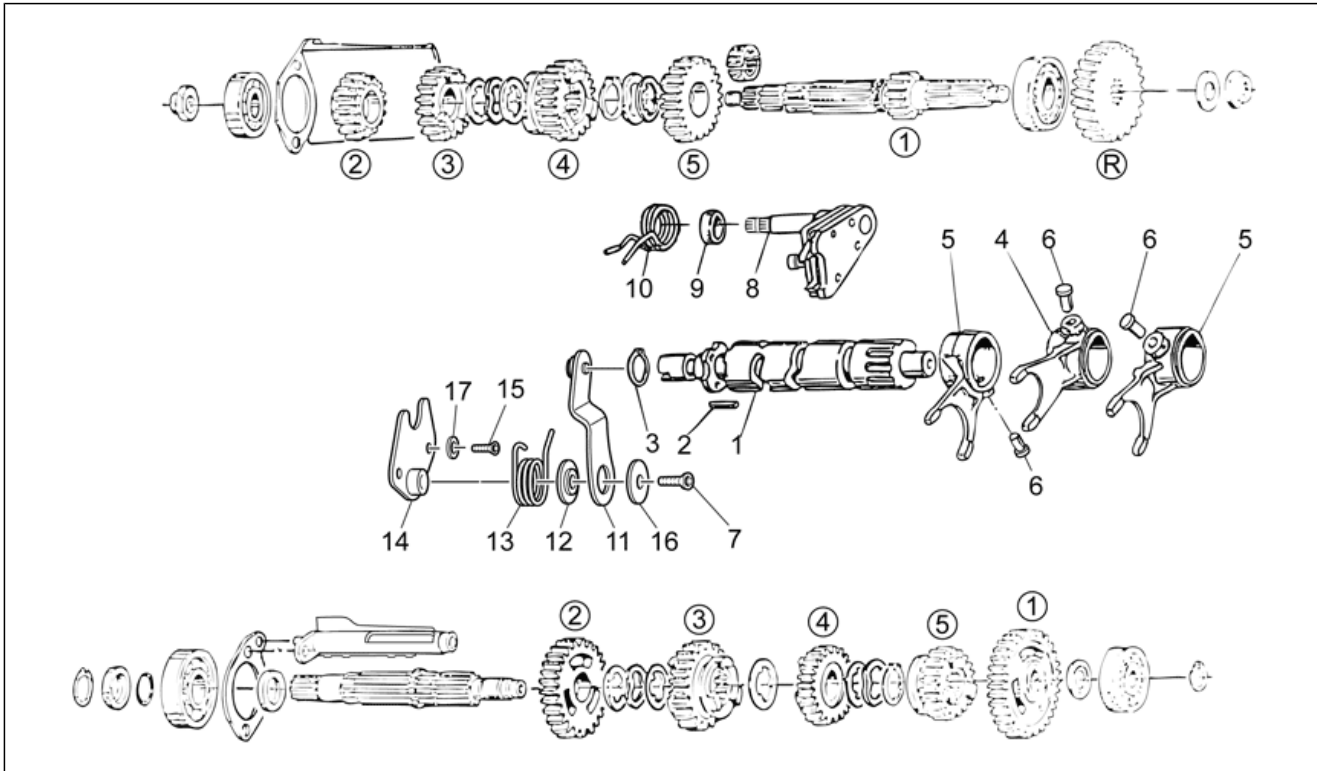
Pos.	Code	Description	Qty	Variants
1	GU32210510	Primary gear shaft Z=11	1	
2	GU32212011	Gear 5a AP Z=25	1	
3	GU19215460	Thrust washer	3	
4	GU90271124	Circlip	2	
5	GU32211810	Gear 4a AP Z=18	1	
6	GU32211410	Gear 3a AP Z=18	1	
7	GU92251028	Roller cage	1	
8	GU23211372	Gear 2a AP Z=14	1	
9	GU32211110	Idle gear AP Z=21	1	
10	GU92218417	Bearing AP 17x40x17,5	1	
11	GU19214660	Clearance washer	2	
12	GU10054100	Nut	2	
13	GU92230320	Bearing AP 20x37x17	1	
14	GU32213610	Driven shaft	1	
15	GU19212900	Spacer	1	
16	GU92201220	Bearing 20X47X14	1	
17	GU19213720	Spacer	1	
18	GU90706188	Gasket ring 18,77X1,78	1	
19	GU90271121	Circlip	1	
20	GU32214510	Gear 2a AS Z=23	1	
21	GU32214810	Gear 3a AS Z=23	1	
22	GU32215010	Gear 4a AS Z=19	1	
23	GU32215210	Gear 5a AS Z=22	1	
24	GU32214010	Gear 1a AS Z=26	1	
25	GU39238100	Clearance washer	1	
26	GU92234716	Bearing	1	
27	GU10214300	Spacer 1,5 mm	1	
27	GU10214301	Spacer 1,7 mm	1	

Group	ENGINE
Code	34.43
Description	Gear box
Service	1



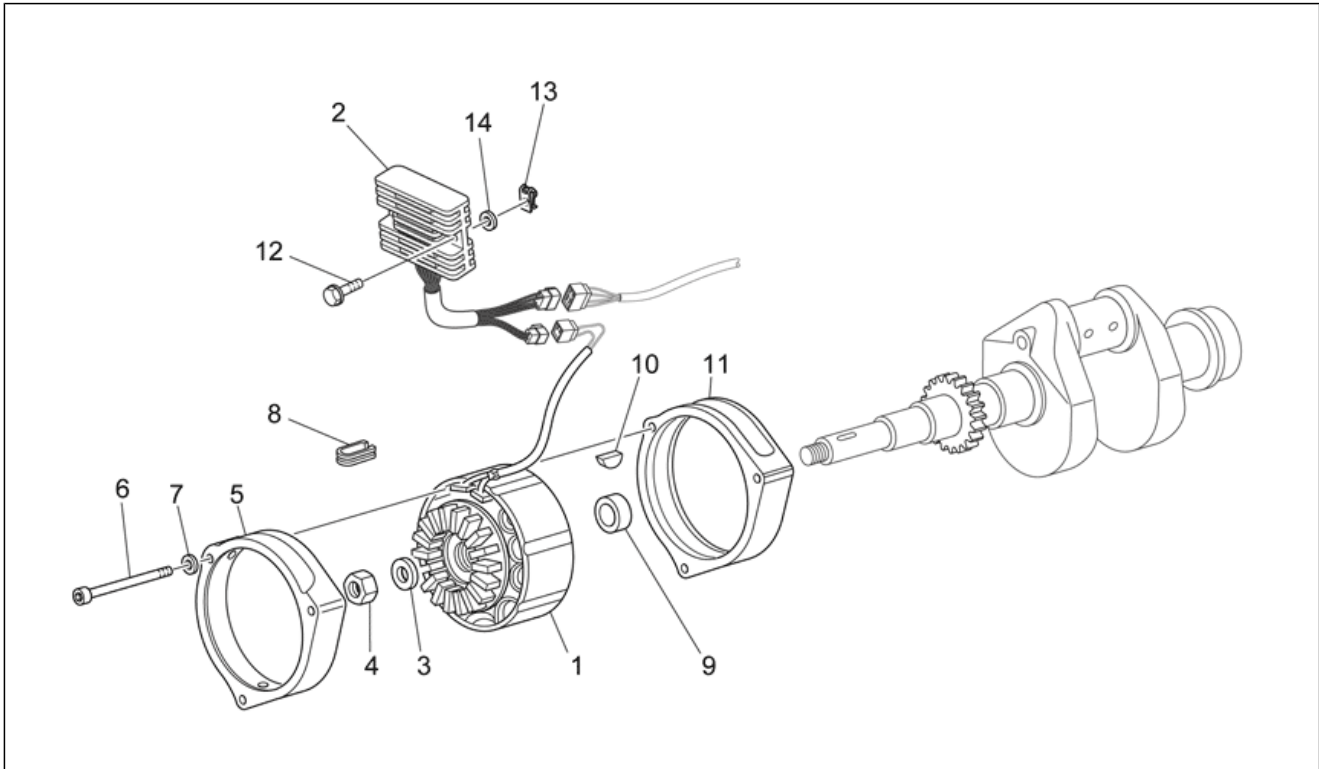
Pos.	Code	Description	Qty	Variants
27	GU10214302	Spacer 1,8 mm	1	
27	GU10214303	Spacer 1,9 mm	1	
27	GU10214304	Washer 2 mm	1	
27	GU10214305	Spacer 2,1 mm	1	
28	GU32202010	Gutter	1	
29	GU90271117	Circlip	1	

Group	ENGINE
Code	34.44
Description	Gear box selector
Service	1



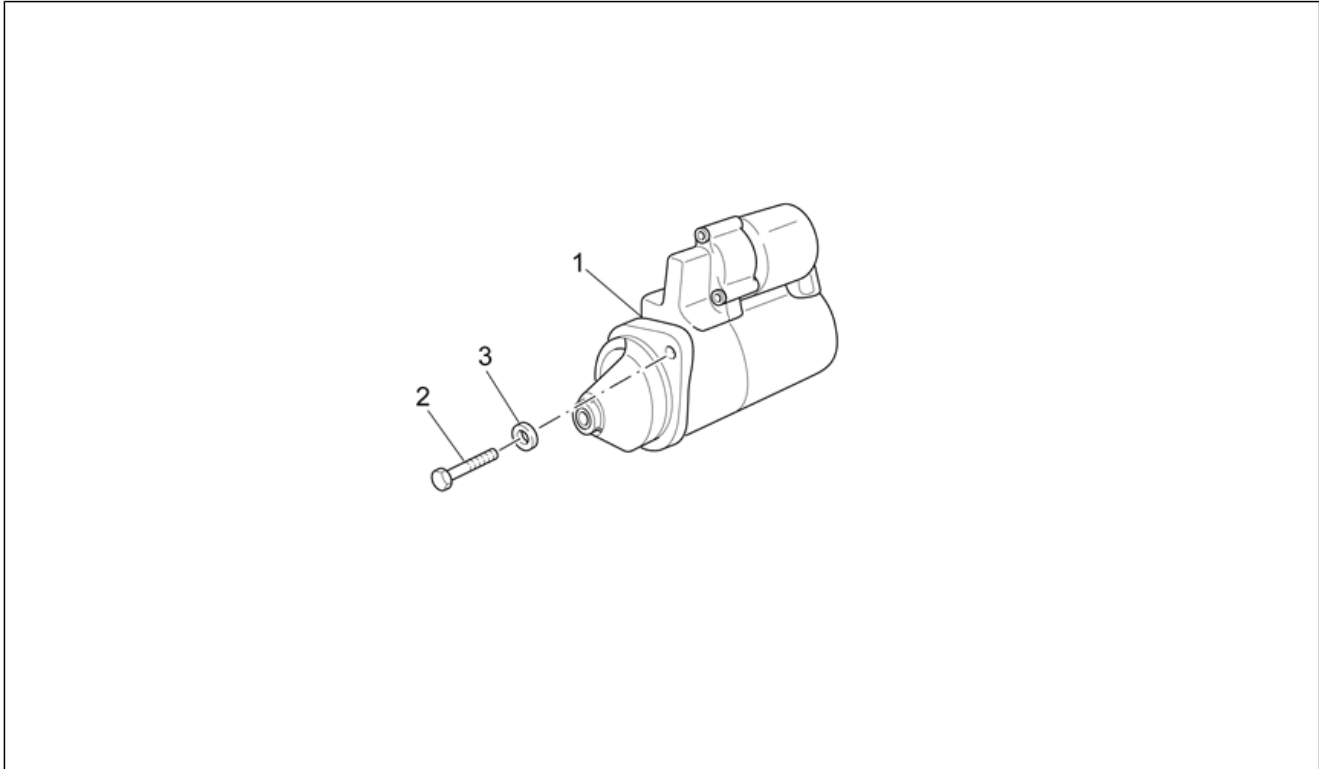
Pos.	Code	Description	Qty	Variants
1	GU32234410	Shift cam	1	
2	GU19234600	Pin	4	
3	GU90274026	Snap ring	1	
4	GU32231210	Fork AP	1	
5	GU32231010	Fork AS	2	
6	GU32233010	Roller	3	
7	GU98350312	Hex socket screw M6x12	1	
8	GU32236210	Preselection complete	1	
9	GU20208520	Spacer	1	
10	GU32238210	Spring	1	
11	GU32234710	Lever	1	
12	GU32234810	Washer	1	
13	GU32234110	Spring	1	
14	GU32235710	plate	1	
15	AP8152166	screw M6x16	2	
16	GU32234910	Washer 6,4x20x1	1	
17	GU14217901	Washer 6,4x10x0,7	2	

Group	ENGINE
Code	34.45
Description	Generator - Regulator
Service	1



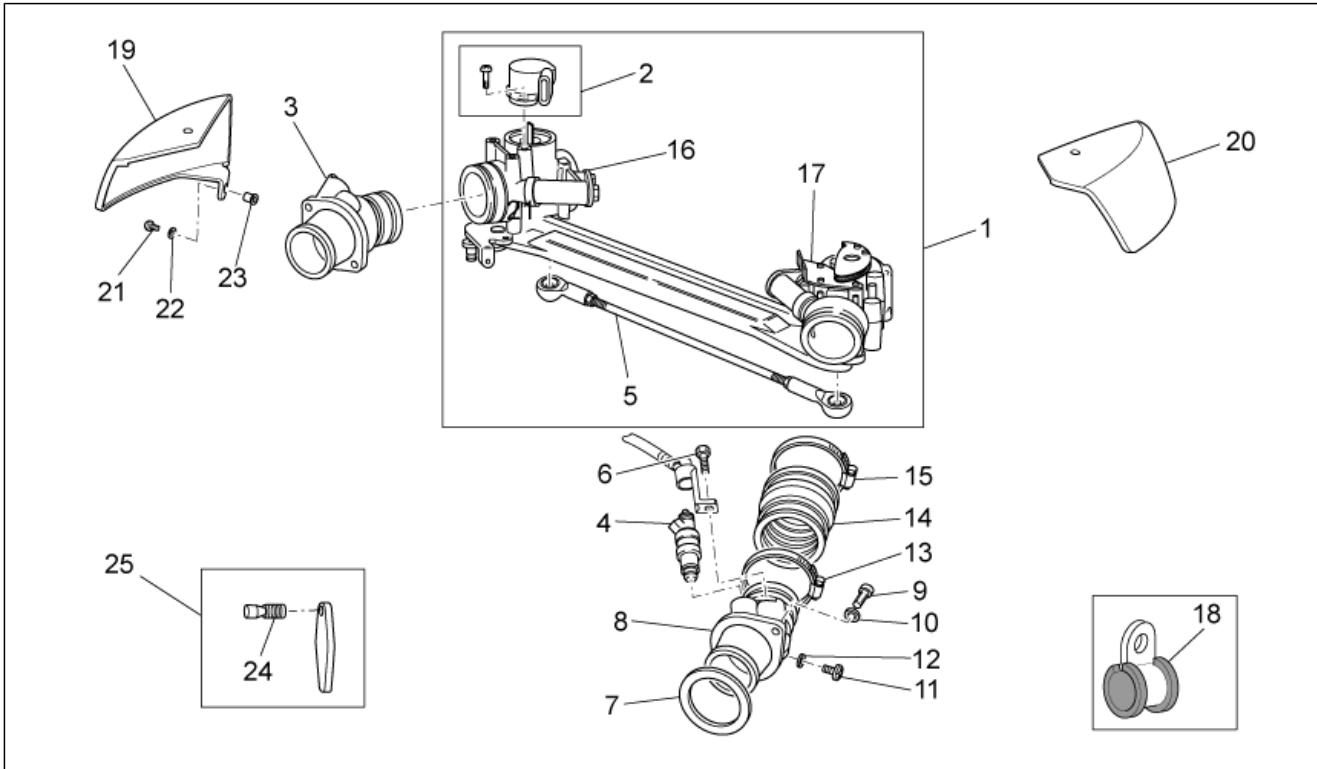
Pos.	Code	Description	Qty	Variants
1	GU32712411	Ducati generator	1	
2	GU32703810	DUCATI regulator	1	
3	GU30714201	Washer 16,25x24,5x5	1	
4	GU92606516	Nut M16	1	
5	GU29711460	Front calotte	1	
6	GU98680265	Hex socket screw	3	
7	GU29217960	Washer 5,9X3X0,8	3	
8	GU19007700	Rubber spacer	1	
9	GU31712365	Spacer	1	
10	GU91600450	Transmission key	1	
11	GU29711960	Rear cap	1	
12	AP8152281	Screw w/ flange M6x30	2	
13	GU28576591	Clip M6	2	
14	GU95100125	Washer	2	

Group	ENGINE
Code	34.46
Description	Starter motor
Service	1



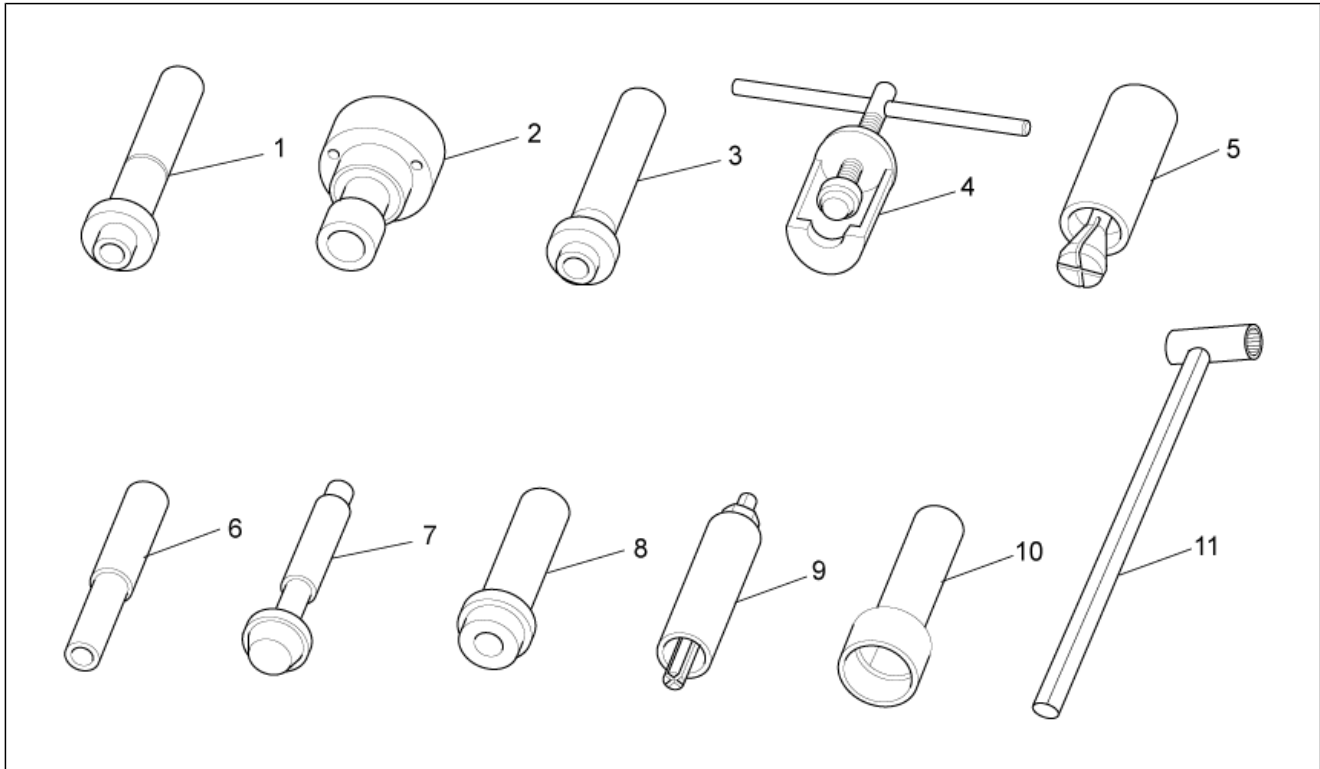
Pos.	Code	Description	Qty	Variants
1	GU05730730	Starter motor Bosch	1	
2	GU98082435	Hex screw M8x35	2	
3	GU95008208	Washer 8,4X15X1,5	2	

Group	ENGINE
Code	34.47
Description	Throttle body
Service	1



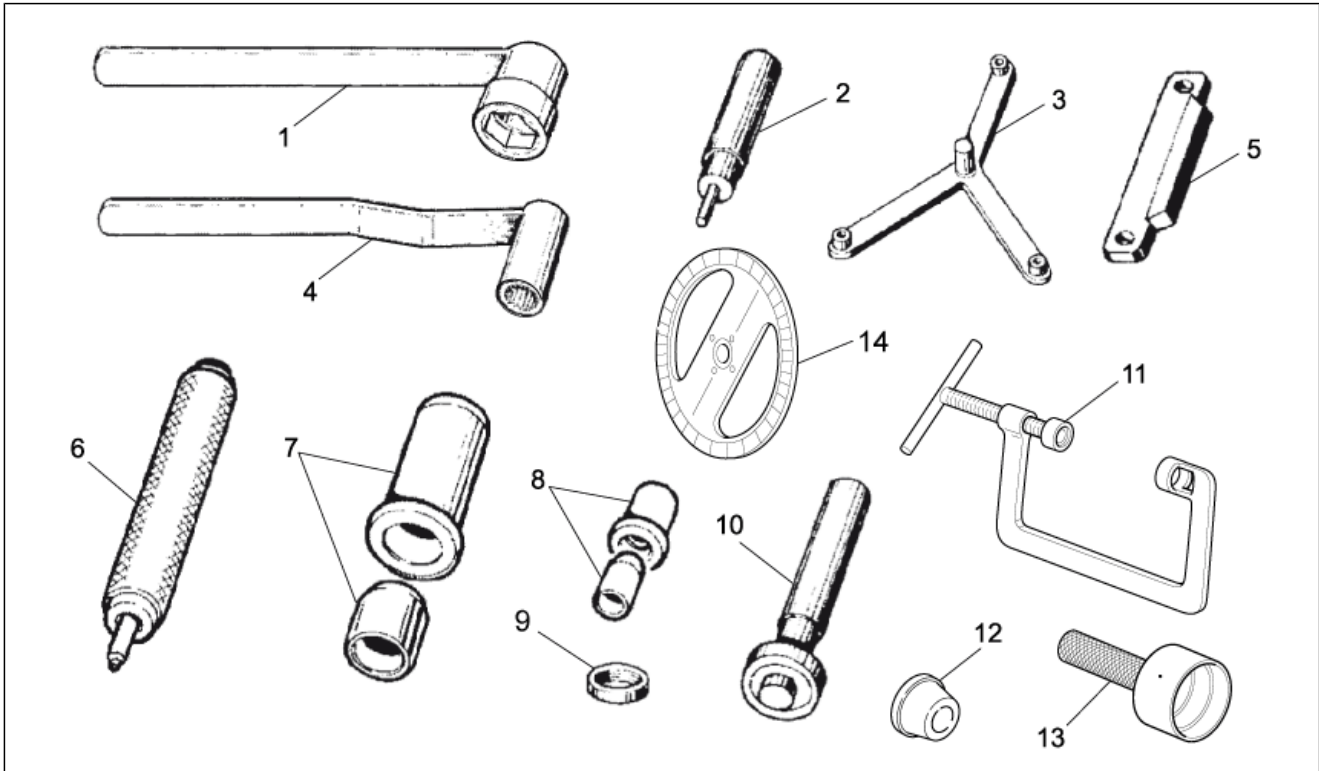
Pos.	Code	Description	Qty	Variants
1	GU32112510	Throttle assy	1	
2	GU32530508	Potentiometer	1	
3	GU32115010	RH manifold	1	
4	GU32115710	Injector kit complete	2	
5	GU32530509	Rod	1	
6	AP8152298	Screw w/ flange M5x16	2	
7	GU32115510	Gasket	1	
8	GU32115011	LH manifold	1	
9	GU98682322	Hex socket screw M6x22	4	
10	GU03013800	Washer 6,4x12	4	
11	GU98310609	screw M6x10	2	
12	GU95100116	Washer 6,25x10x1,5	2	
13	GU93305057	Hose clamp 57x59,5x10	2	
14	GU32114310	Hose	2	
15	GU93305061	Hose clamp 61/65,5	2	
16	GU32112610	Right throttle body	1	
17	GU32112611	Left throttle body	1	
18	GU32718010	Hose clamp	2	
19	978938	RH cover chromium plated	1	
20	978939	LH cover chromium plated	1	
21	GU98370515	screw	4	
22	GU30577800	Nylon washer 5,5X12X1	4	
23	GU93231605	Antivibration bush	4	
24	GU97270212	Shear rivet	1	Technical Specifications:25Kw Version[25 Kw]
25	GU973221100027	Plate kit	1	Technical Specifications:25Kw Version[25 Kw]

Group	SPECIAL TOOLS
Code	36.49
Description	Specific tools I
Service	1



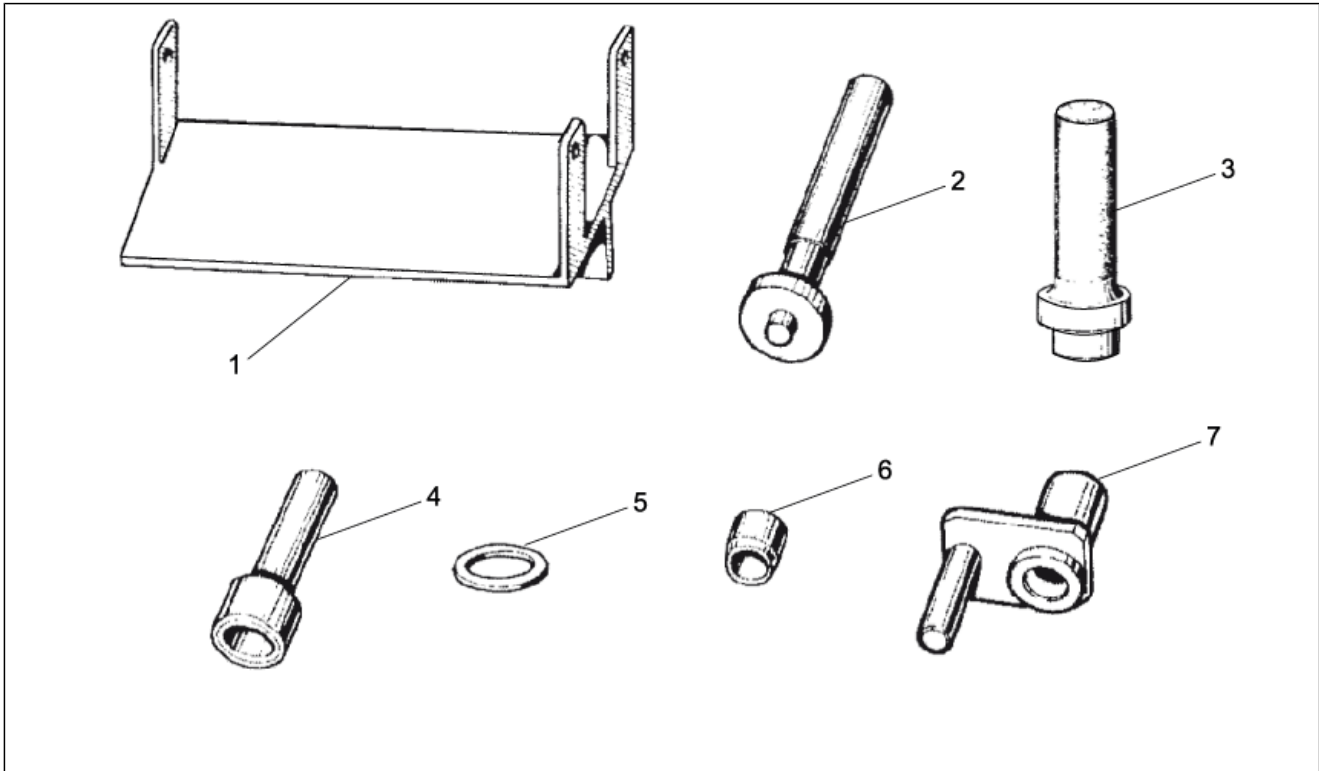
Pos.	Code	Description	Qty	Variants
1	GU19926100	Punch for pinion oil seal	1	
2	GU19928800	Bevel gear pair preassemb.tool	1	
3	GU19926000	Punch for trans.case oil seal	1	
4	GU19907000	Puller for internal ring	1	
5	GU19927500	Puller for transm.case bearing	1	
6	GU19926200	Punch for bearing on bev.gear	1	
7	GU19926400	Punch for taper bearing	1	
8	GU19926500	Punch for trans.case oil seal	1	
9	GU19927600	Puller for swing arm hold.	1	
10	GU19927900	Punch for driving bearing	1	
11	GU19907100	Gear pair holder tool	1	

Group	SPECIAL TOOLS
Code	36.50
Description	Specific tools II
Service	1



Pos.	Code	Description	Qty	Variants
1	GU19905460	Clutch shaft nut holding wrench	1	
2	GU19905900	Punch for clutch shaft bearing	1	
3	GU19906500	Clutch disk assembly tool	1	
4	GU19907160	Clutch shaft holding tool	1	
5	GU19911800	Flywheel holder tool	1	
6	GU19926020	Mounting cap on valve guide	1	
7	GU19927220	fitting oil seal/timing cover	1	
8	GU19927320	Assembling oil seal timing cov.	1	
9	GU19927800	Bush for valve disassemb.tool	1	
10	GU19929400	Punch for clutch shaft bearing	1	
11	GU10907200	Valve removal and fitting	1	
12	GU12912000	Flange flywheel side	1	
13	GU19927100	Seal ring flange flywheel side	1	
14	GU19929600	Index plate tim.sett./ign.cont	1	

Group	SPECIAL TOOLS
Code	36.51
Description	Specific tools III
Service	1



Pos.	Code	Description	Qty	Variants
1	GU19902500	Gearbox housing support	1	
2	GU19926300	Punch for primary shaft bear.	1	
3	GU19926460	Second.shaft bearing ins.tool	1	
4	GU19927200	Punch oil seal on gearbox cov.	1	
5	GU19927202	Spacer for install.of ring	1	
6	GU19927300	fitting oil seal/second. Shaft	1	
7	GU19927700	Intermediate gear holding tool	1	