

MOTO GUZZI

PARTS FOR 750 cc CALIFORNIA POLICE ONLY

ADDITIONS TO THE V-750 AMBASSADOR PARTS
CATALOGUE

2ND EDITION (October 1970)

PLATE 1

Reference to Ambassador Parts Catalogue – II edition			New Plates for California Police			
Plate No.	Figure No.	Order No.	Figure No.	Order No.	Description	Quantity
1			10	1302 9840	Leg protection, on rocker heads	2

PLATE 1



PLATE 5

Reference to Ambassador Parts Catalogue – II edition			New Plates for California Police			
Plate No.	Figure No.	Order No.	Figure No.	Order No.	Description	Quantity
5	10	1310 0220	11	1310 0240	Tank, fuel	1
5	12	1210 3900	12	5410 3901	Filler cap, fuel tank	1
5	31	9805 4522	13	9805 4530	Screw, muffler securing	2
5	34	1212 3020	14	1312 3040	Muffler, R/H	1
5	35	1212 2920	14	1312 2940	Muffler. L/H	1

PLATE 5

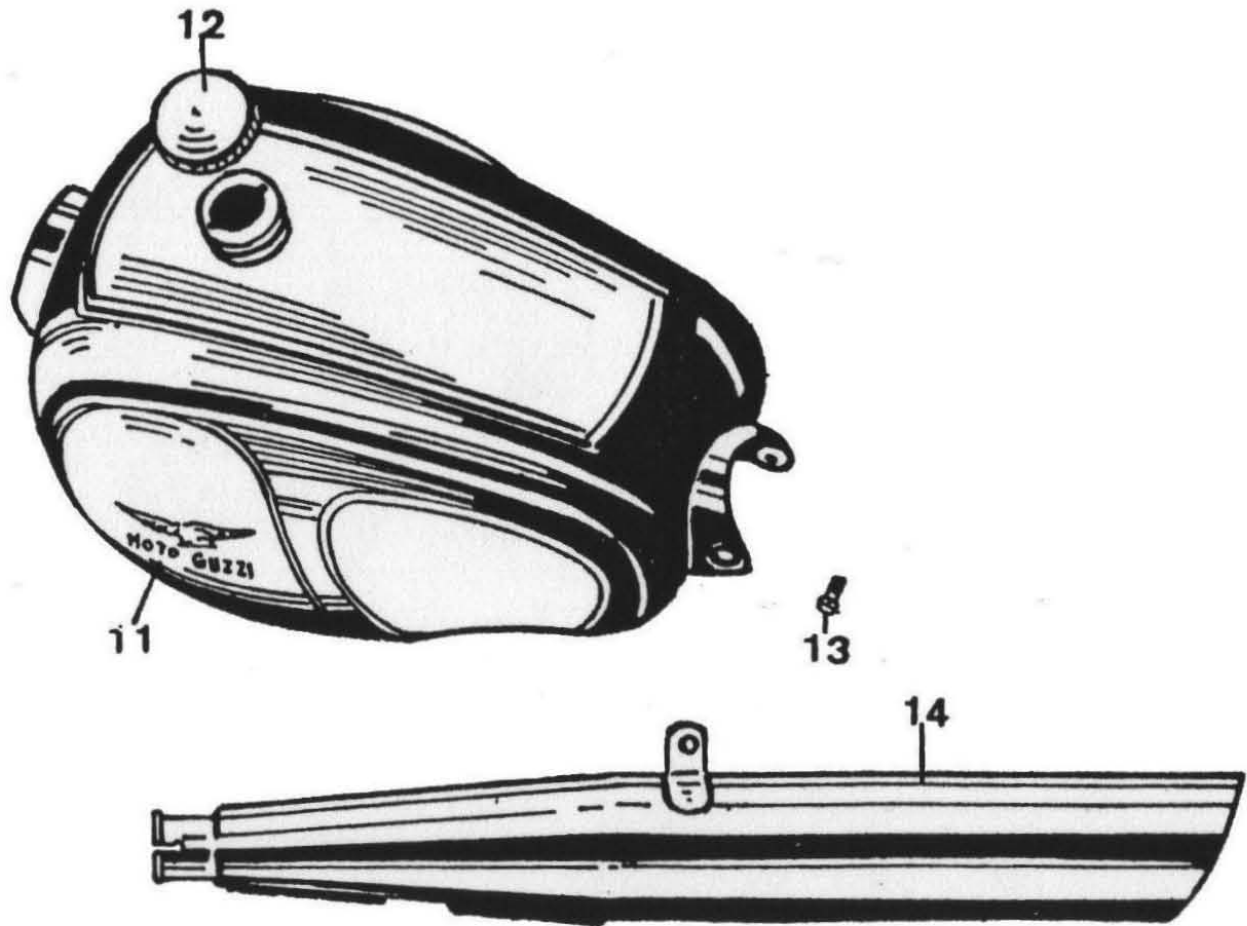


PLATE 6

Reference to Ambassador Parts Catalogue – II edition			New Plates for California Police			
Plate No.	Figure No.	Order No.	Figure No.	Order No.	Description	Quantity
6	12	1260 7500	15	1360 7540	Cable, throttle	1
6	22	1260 8300	16	1360 8340	Cable, easy start	1

PLATE 6

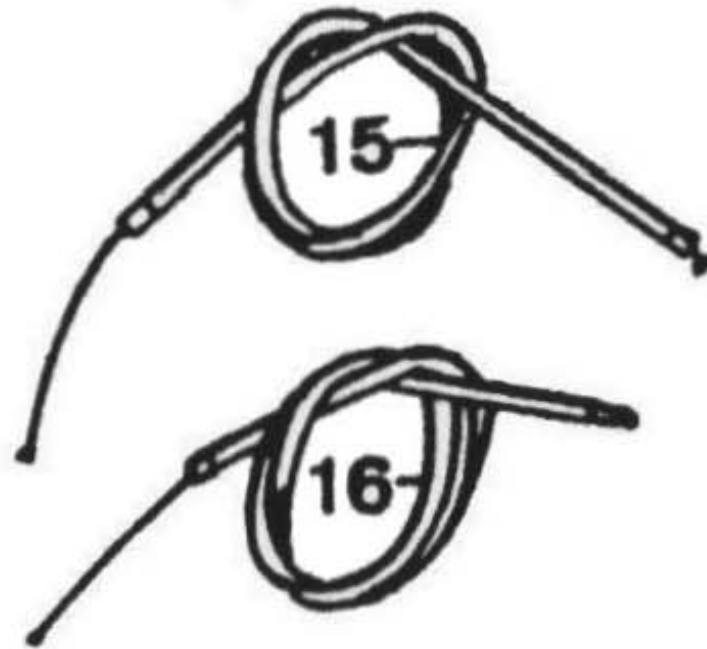


PLATE 7

Reference to Ambassador Parts Catalogue – II edition			New Plates for California Police			
Plate No.	Figure No.	Order No.	Figure No.	Order No.	Description	Quantity
7	26	1209 3001	17	1309 3041	Cable, clutch	1

PLATE 7

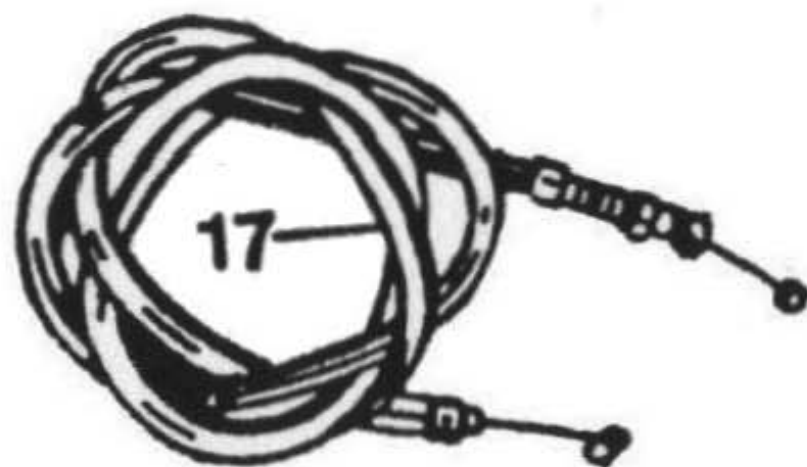


PLATE 9

Reference to Ambassador Parts Catalogue – II edition			New Plates for California Police			
Plate No.	Figure No.	Order No.	Figure No.	Order No.	Description	Quantity
9	10	1225 0906	18	1325 0941	Lever, gearshift	1
9			19	9111 1520	Bushing, gearshift lever	1
9			20	9402 0060	Greaser, gearshift lever	1
9			21	9510 0142	Washer, lever fixing nut	1
9			22	9512 9250	Washer, shake proof, lever fixing nut	1
9			23	9263 0106	Nut, gearshift lever	1
9	13	1225 1105	24	1325 1240	Shaft, c/w starter pin lever	1
9	20	1225 7801	25	1325 7840	Rod, c/w fork and nut	1
9	19	1225 7901	26	1325 7940	Rod, bare	1
9	22	1225 8201	27	1325 8240	Lever, starter pin operating	2
9	24	5523 8200	28	1323 8240	Spring, lever return	1
9			29	9810 6021	Screw, lever fixing	2
9			30	1325 7640	Tie rod, complete	1
9			31	1325 7740	Tie rod, bare	1
9			32	9574 0171	Fork, tie rod	3
9			33	9270 0073	Nut, adjusting on tie rod	1
9			34	9578 0265	Pin, fork	3
9			35	9512 9110	Washer, shake proof, for pins	3
9			36	9550 0222	Split pin, fork pins	3
9			37	9510 0173	Washer, tie rod	1
9			38	9550 0325	Split pin, tie rod	1

PLATE 9

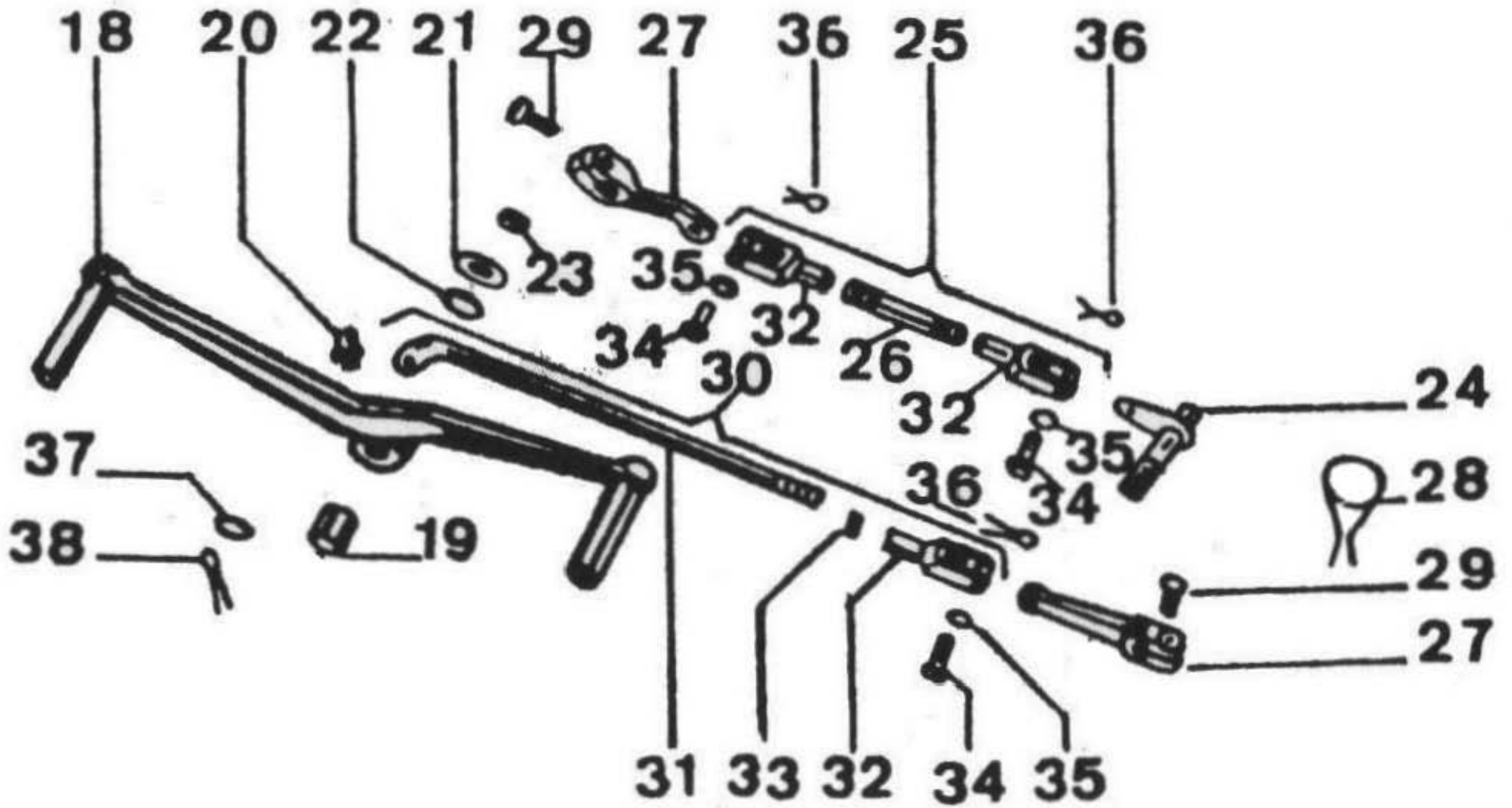
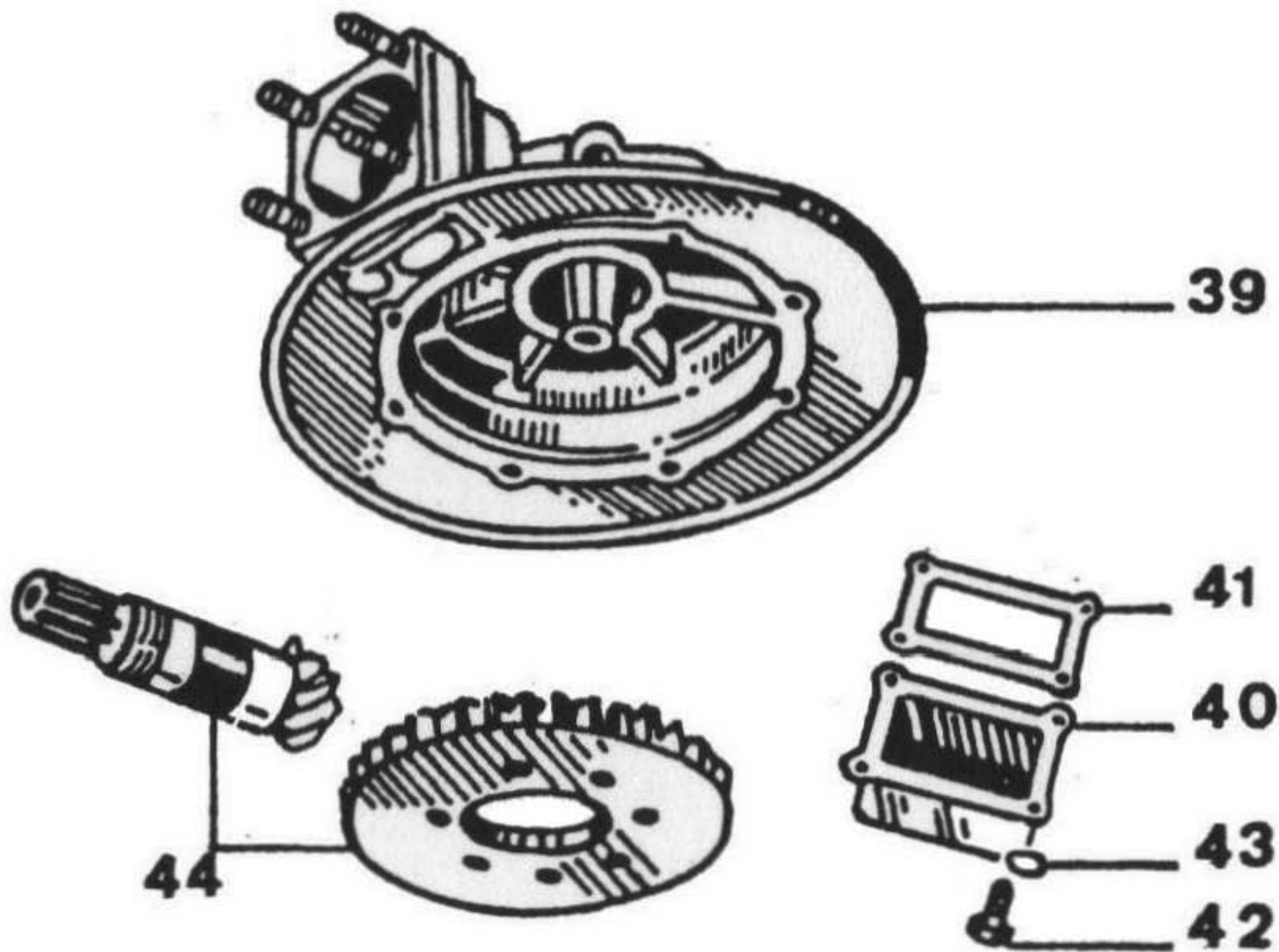


PLATE 10

Reference to Ambassador Parts Catalogue – II edition			New Plates for California Police			
Plate No.	Figure No.	Order No.	Figure No.	Order No.	Description	Quantity
10	21	1335 0200	—	1235 0201	Drive box, rear, complete	1
10	31	1235 0300	39	1235 0301	Drive box, bare	1
10			40	1235 1501	Bottom plate, rear drive box	1
10			41	1235 6001	Washer, bottom plate	1
10			42	9862 2320	Screw, bottom plate securing to drive box	8
10			43	9500 4208	Washer, bottom plate securing screws	8
10	45	1335 4600	44	1235 4600	Bevel gear set (ratio 8/37)	1

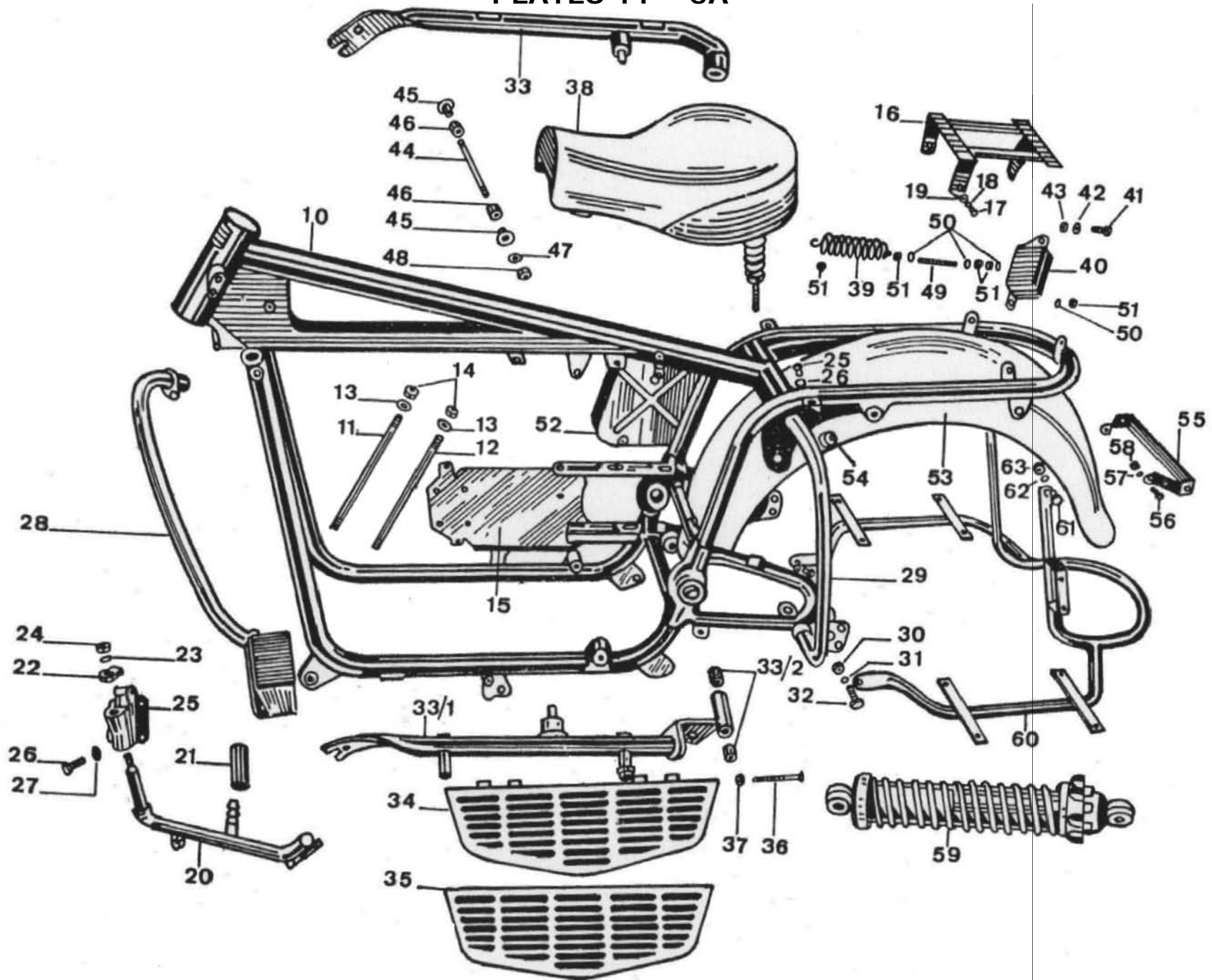
PLATE 10



PLATES 11 – 5A

Reference to Ambassador Parts Catalogue – II edition			New Plates for California Police			
Plate No.	Figure No.	Order No.	Figure No.	Order No.	Description	Quantity
11	10	1240 0102	10	1340 0140	Frame	1
11	15	1342 9600	11	1342 9540	Bolt, engine to frame, front	1
11	15	1342 9600	12	1342 9540	Bolt, engine to frame, rear	1
11	12	9510 0415	13	9510 0415	Washer, engine to frame securing bolts	4
11	11	9270 0128	14	9270 0128	Nut, engine to frame securing bolts	4
11	21	1241 8200	15	1341 8240	Bracket, battery	1
11			16	1346 9441	Radio carrier	1
11			17	9805 4314	Screw, radio carrier	3
11			18	9502 1106	Washer, radio carrier screws	3
11			19	9260 2206	Nut, radio carrier screws	3
11	32	1243 2000	20	1343 2040	Side stand	1
11			21	1343 2640	Pedal, side stand	1
11			22	1343 2740	Lug, side stand	1
11			23	9510 0311	Washer, side stand fixing nut	1
11			24	9263 0110	Nut, side stand to supporting block	1
11			25	1343 3440	Supporting block, side stand	1
11			26	9805 4414	Screw, supporting block	4
11			27	9502 1108	Washer, block screws	4
11	52	1245 0400	28	1345 0440	Safety bar, front, L/H	1
11			29	1345 8240	Safety bar, rear, R/H	1
11			29	1345 8840	Safety bar, rear L/H	1
11			30	9260 2210	Nut, top, rear bars securing	4
11			31	9502 1110	Washer, safety bar top securing nut	4
11			32	9805 4530	Screw, bottom bars securing	2
11			33	1345 5140	Bracket, footboard, R/H	1
11			33/1	1345 5240	Bracket, footboard, L/H	1
11			33/2	9111 1417	Bushing, L/H boot board bracket	2
11			34	1344 3440	Footboard, with mat	2
11			35	1344 7040	Mat, footboard	2
11			36	9810 7035	Screw, footboard	4
11			37	9270 0073	Nut, footboard securing screw	8

PLATES 11 - 5A



PLATES 11 – 5A

Reference to Ambassador Parts Catalogue – II edition			New Plates for California Police			
Plate No.	Figure No.	Order No.	Figure No.	Order No.	Description	Quantity
11	60	1246 0502	38	1346 0541	Seat	1
11			39	1346 1943	Spring, seat, R. H.	1
11			39	1346 2143	Spring, L/H	1
11			40	1346 2040	Housing, spring, R/H	1
11			40	1346 2045	Housing, spring,. L/H	1
11			41	9805 4418	Screw, spring housing	2
11			42	9500 4208	Washer, housing screw	2
11			43	9260 2208	Nut, housing and springs securing screws	4
11			44	1346 2740	Pin, front seat securing	1
11			45	1210 3500	Bushing, rubber blocks	2
11			46	1046 2800	Rubber block	2
11			47	9500 4208	Washer, front seat securing screw	2
11			48	9260 2200	Nut, front seat securing screw	2
11			49	1346 3240	Pin, threaded, rear seat securing	2
11			50	9500 4208	Washer, threaded spindle	8
11			51	9260 2208	Nut, threaded pin	8
11	55	1347 6120	52	1247 6001	Tool box, R/H	1
	55	1347 6020				
11	70	1343 7020	53	1343 7040	Fender, rear	1
11			54	9155 1081	Grommet, on rear fender	2
11			55	1343 6840	Bracket, rear turn lights	1
11			56	9805 4312	Screw, turn lights bracket	4
11			57	9500 0206	Washer, turn light bracket screw	8
11			58	9260 2206	Nut, turn light bracket screw	4
11	53	1255 0200	59	1355 0240	Rear •hock absorbers	2
5/A	13	1348 5000	60	1348 5040	Attachment, saddle bags	1
	14	1348 6500				
5/A			61	9805 4522	Screw, top saddlebag attachment	2
5/A			62	9510 0311	Washer saddlebag attachment screw	2
5/A			63	9260 2210	Nut, saddle bag attachment top screw	2

PLATES 11 - 5A

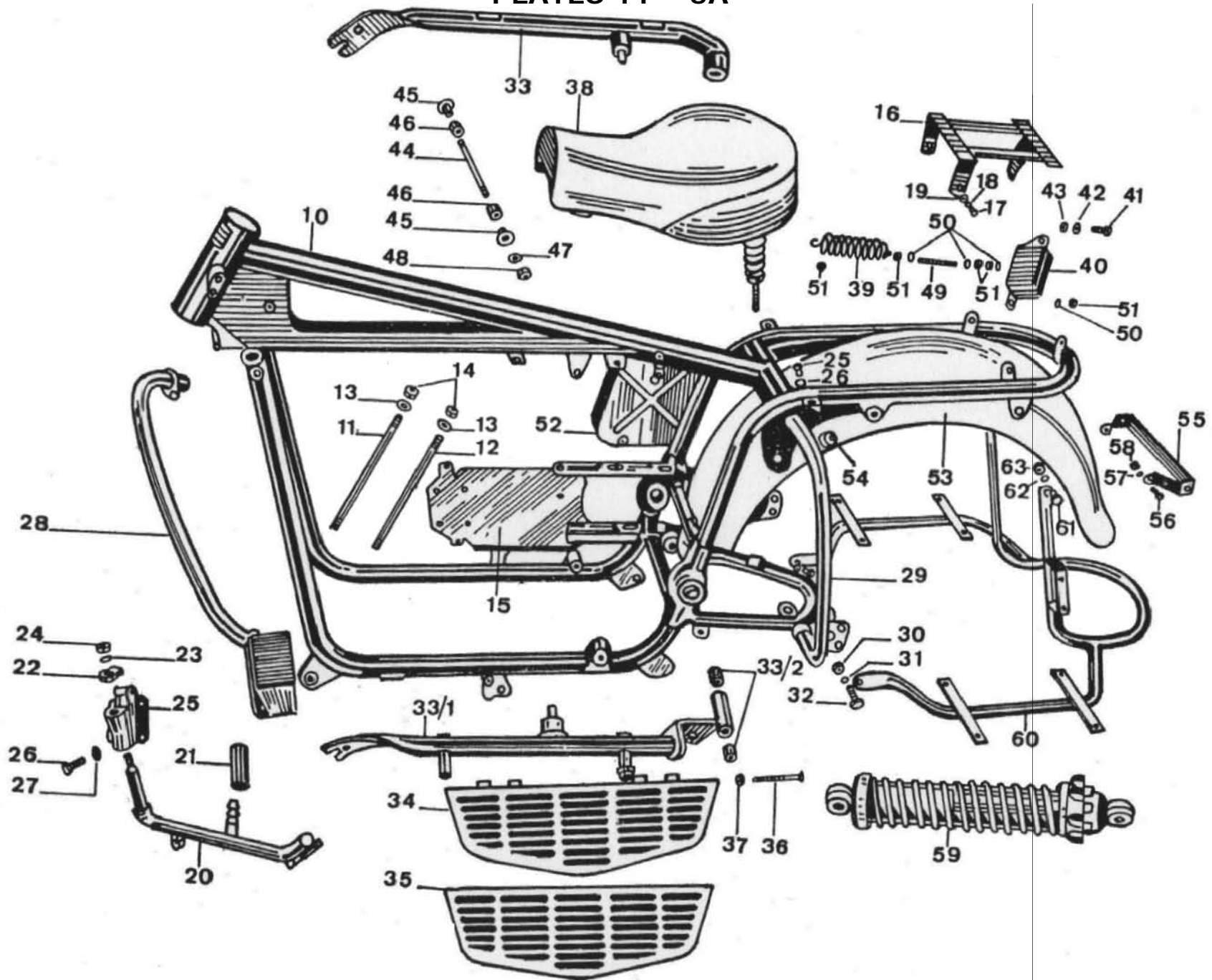


PLATE 12

Reference to Ambassador Parts Catalogue – II edition			New Plates for California Police			
Plate No.	Figure No.	Order No.	Figure No.	Order No.	Description	Quantity
12			10	1350 6340	Bracket, front turn signal lights	1
12			11	1350 6840	Bracket, R/H. windshield	1
12			12	1350 6940	Bracket, L/H, windshield	1
12	25	9805 3675	13	9805 3690	Screw, turn light bracket to clamp	2
12			14	1353 0140	Steering damper unit	1
12			15	1353 1640	Lug, bottom yoke to damper	1
12			16	9805 4425	Screw, lug securing to bottom yoke	1
12			17	9500 0208	Washer, flat, lug screw	1
12			18	9502 1108	Washer, toothed, lug screw	1
12			19	1353 0240	Steering damper	1
12			20	1453 0800	Spacer, damper	2
12			21	9510 0142	Washer, steering damper	2
12			22	9805 2335	Screw, damper securing	2
12			23	9502 1106	Washer, steering damper and band screw	4
12			24	1353 1440	Band, inner damper securing	1
12			25	1353 1040	Band, outer, damper securing	1
12			26	9805 4316	Screw, short, front band securing	1
12			27	9805 4320	Screw, long rear band securing	1
12			28	9260 2206	Nut, rear damper fixing screw, rear, and bands to frame	3

PLATE 12

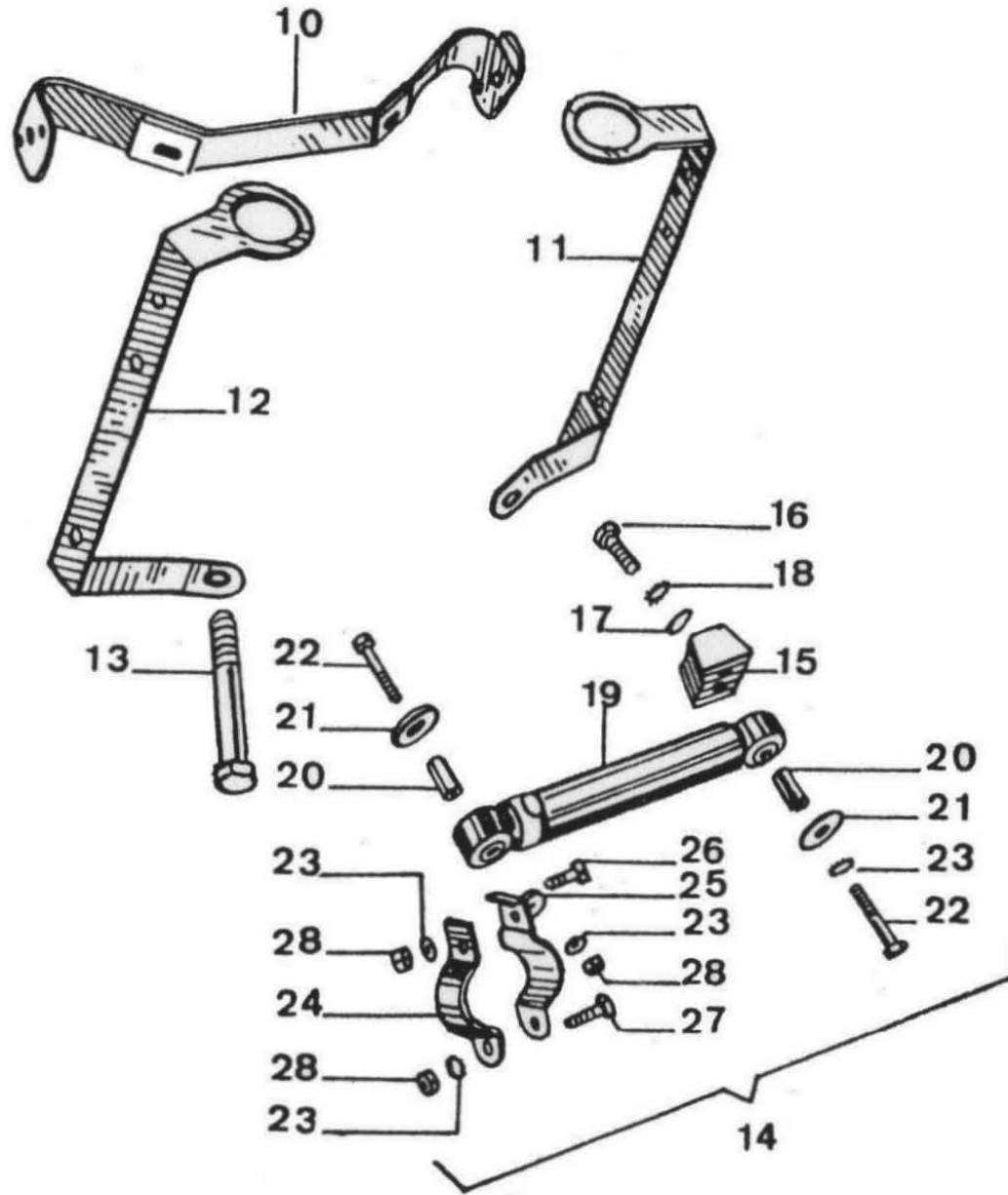


PLATE 13

Reference to Ambassador Parts Catalogue – II edition			New Plates for California Police			
Plate No.	Figure No.	Order No.	Figure No.	Order No.	Description	Quantity
13	11	1260 0300	29	1360 0340	Handlebar	1
13	12	1260 5401	30	1260 5440	Lever, front brake, complete	1
13	14	1260 1000	31	1260 1050	Fulcrum, front brake lever, adjustable	1
13	29	9810 7017	32	9810 7028	Screw, carburetor starter lever to handlebar	1
			33	1211 7950	Spacer, carburetor starter lever	1
13	36	9351 0311	34	9351 0317	Pin, carburetor starter lever	1
13	31	1250 0240	35	1350 0240	Clamp, handlebar	2
13			36	1360 6840	Button Ass. Y. siren, on handlebar	1
13			37	4360 5640	Lever, siren	1
13			38	4060 3700	Fulcrum, siren lever	1
13			39	4560 4900	Screw, lever to fulcrum	1
13			40	4560 5000	Washer, lever screw	1
13			41	4560 5100	Nut, lever screw	1
13			42	4560 6300	Screw, fulcrum to handlebar	1
13			43	4560 5300	Bushing, fulcrum to handlebar screw	1
13			44	1360 6640	Cable, siren control	1
13			45	4560 5800	Roller, siren cable	1
13			46	1374 4440	Spring, return	1
13			47	4326 3325	Rubber pad, siren	1
13			48	1374 4540	Joining plate, siren cable securing	1

PLATE 13

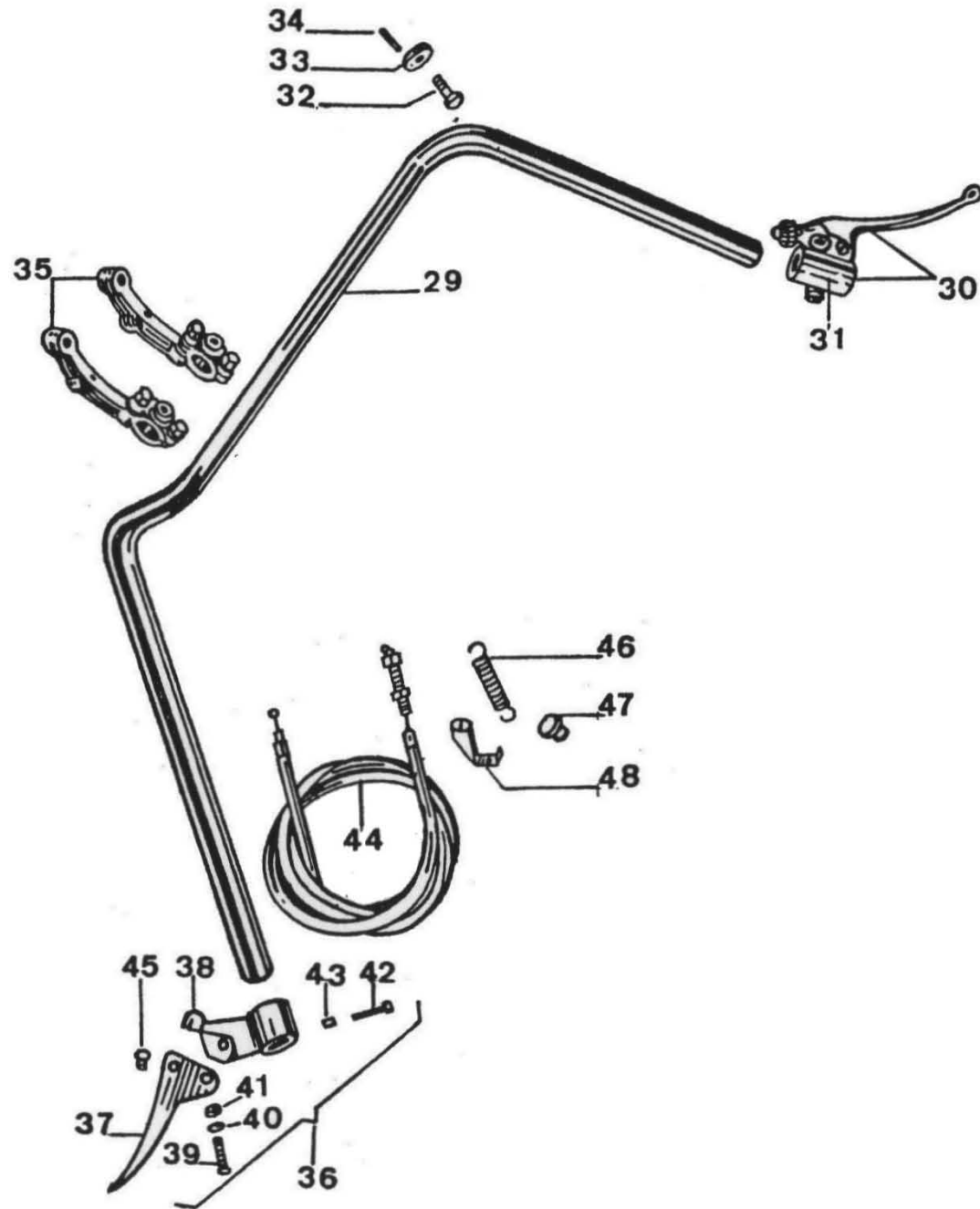


PLATE 14

Reference to Ambassador Parts Catalogue – II edition			New Plates for California Police			
Plate No.	Figure No.	Order No.	Figure No.	Order No.	Description	Quantity
14	35	1276 1620	10	1376 1642	Speedometer	1
14	36	1250 1500	11	1350 1541	Instrument panel	1
14			12	1376 4941	Bracket, instrument panel	2
14	22	1074 4900	13	1074 4900	Warning light, amber, neutral	1
14			14	1075 4900	Glass, orange, neutral indicator	1
14	23	1074 4902	15	1074 4902	Warning light, red oil pressure and generator charge	2
14			16,	1374 4943	Warning light, red, front headlamps and high beam	2
14			17	1075 4902	Glass, red, front red lamps, indicators, high beam, oil pressure	4
14			1«	1074 4901	Warning Light, green, right and left turn lights	2
14			19	1075 4901	Glass, right and turn lights indicator	2
14			20	1274 5760	Cutout, courtesy light and coil disconnection	2
14			21	1374 5740	Switch, rear flash lights, parking	2
14	39	9070 6076	22	9070 6076	Washer, indicators (OR 2031)	7
14			23	1074 4910	Bulb, indicators (12V - 3W)	7
14			24	1350 2340	Bracket, microphone	1
14			25	9805 2430	Screw, microphone bracket	2
14			26	9500 0208	Washer, microphone bracket screw	2

PLATE 14

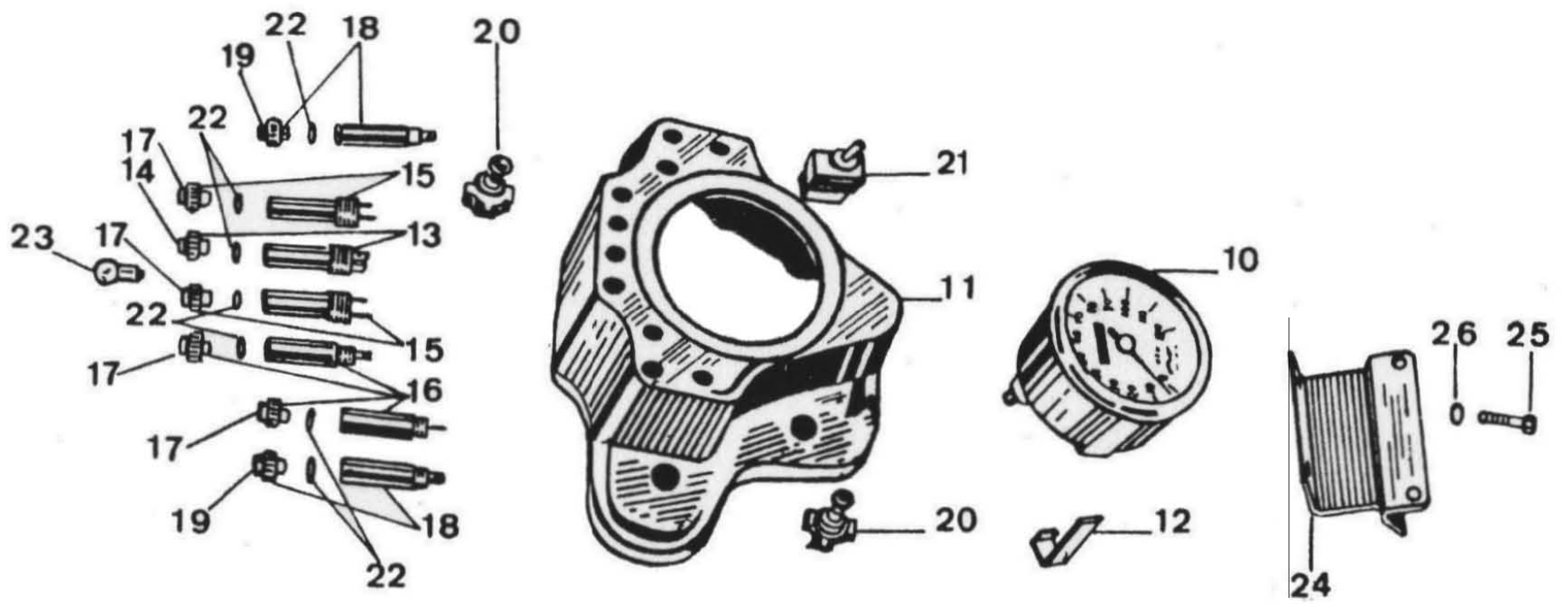


PLATE 15

Reference to Ambassador Parts Catalogue – II edition			New Plates for California Police			
Plate No.	Figure No.	Order No.	Figure No.	Order No.	Description	Quantity
15	27/1	1362 5420	27	1362 5440	Cable, front brake	1

PLATE 15

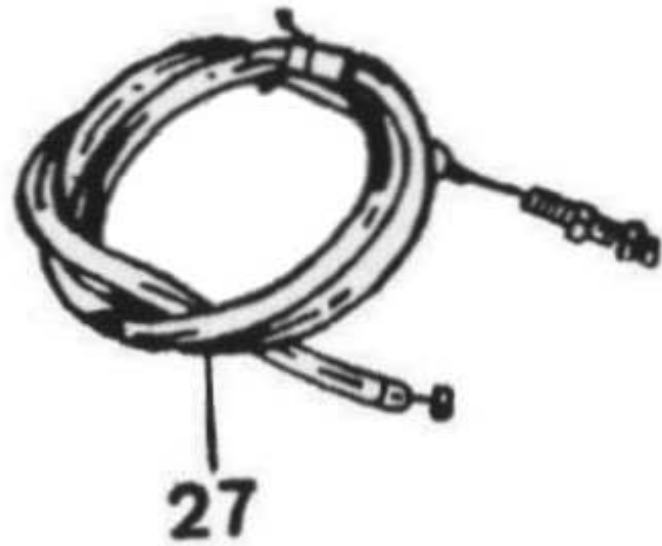


PLATE 16

Reference to Ambassador Parts Catalogue – II edition			New Plates for California Police			
Plate No.	Figure No.	Order No.	Figure No.	Order No.	Description	Quantity
16	39	1267 5405	28	1367 5440	Spindle, rear brake pedal	1
16			29	1225 8201	Lever, brake spindle	1
16			30	9810 6021	Screw, rear brake pedal spindle	1
16	40	1267 7005	31	1367 7041	Pedal, rear brake	1
16			32	4326 2180	Rubber, rear brake pedal	1
16			33	9402 0060	Greaser, rear brake pedal	1
16			34	9512 9250	Washer, shake proof, brake pedal	1
16			35	9510 0142	Washer, brake pedal nut	1
16			3«	9263 0106	Nut, rear brake pedal	1
16			37	1367 5040	Rod, rear brake, complete	1
16			38	1367 5140	Rod, rear brake, bare	1
16			3*	9574 0171	Fork, rear brake rod	2
16			46	9270 0073	Nut, rear brake rod	2
16			41	9578 0265	Bolt, tie rod to lever	2
16			42	9512 9110	Washer, tie rod bolt	2
16			43	9550 0222	Split pin, tie rod bolt	2

PLATE 16

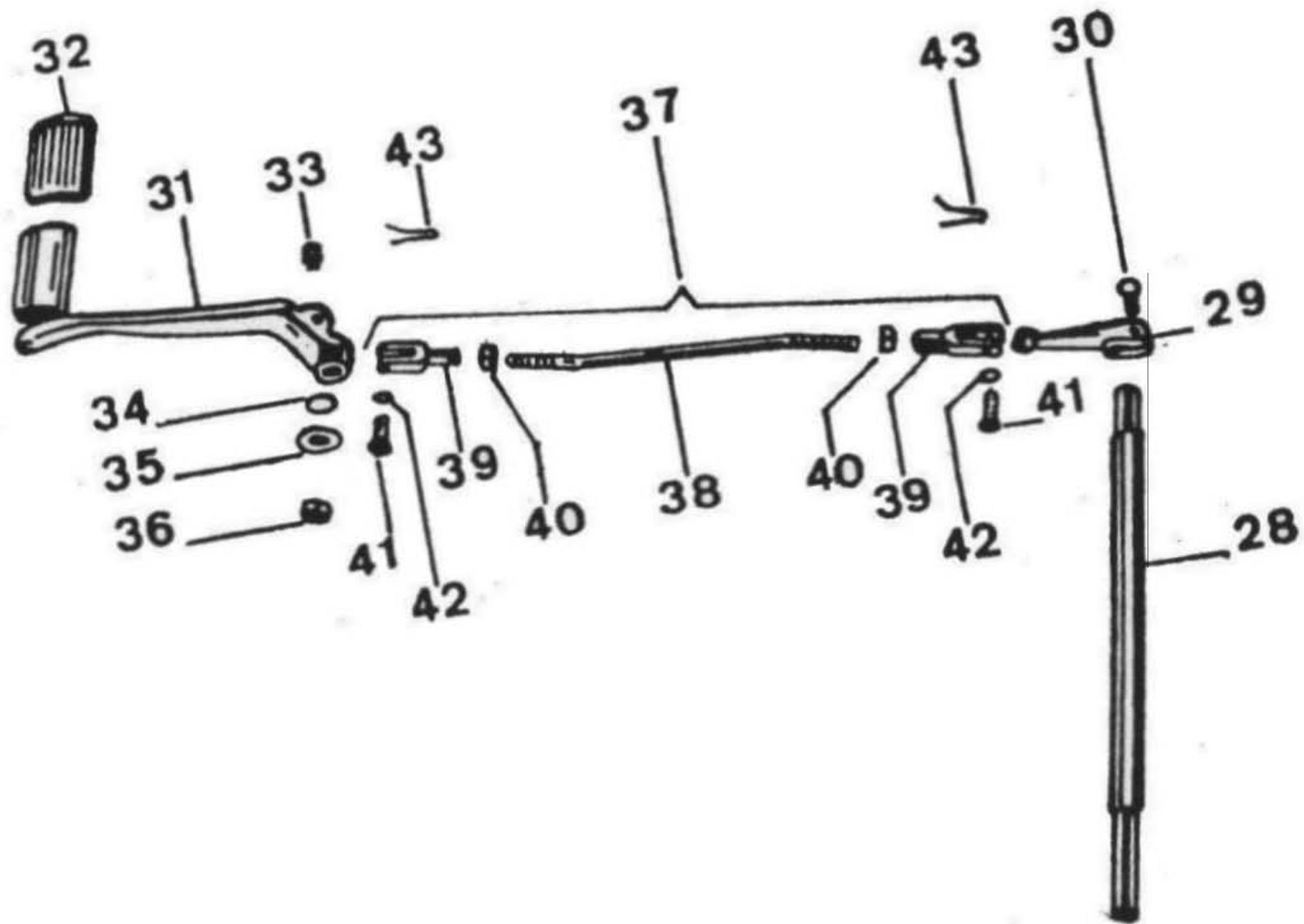


PLATE 17

Reference to Ambassador Parts Catalogue – II edition			New Plates for California Police			
Plate No.	Figure No.	Order No.	Figure No.	Order No.	Description	Quantity
17			44	1373 3140	Grounding cable, starter solenoid	1

PLATE 17

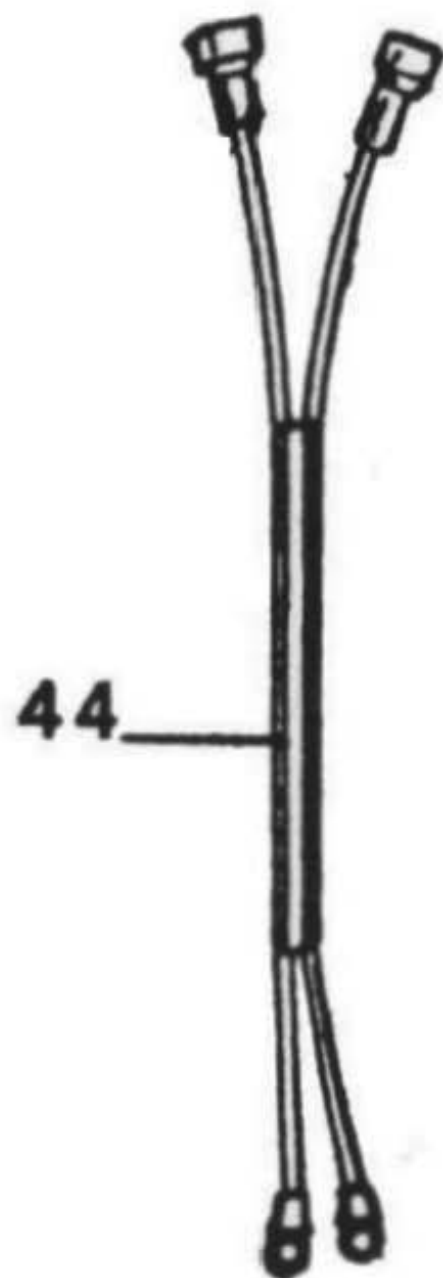
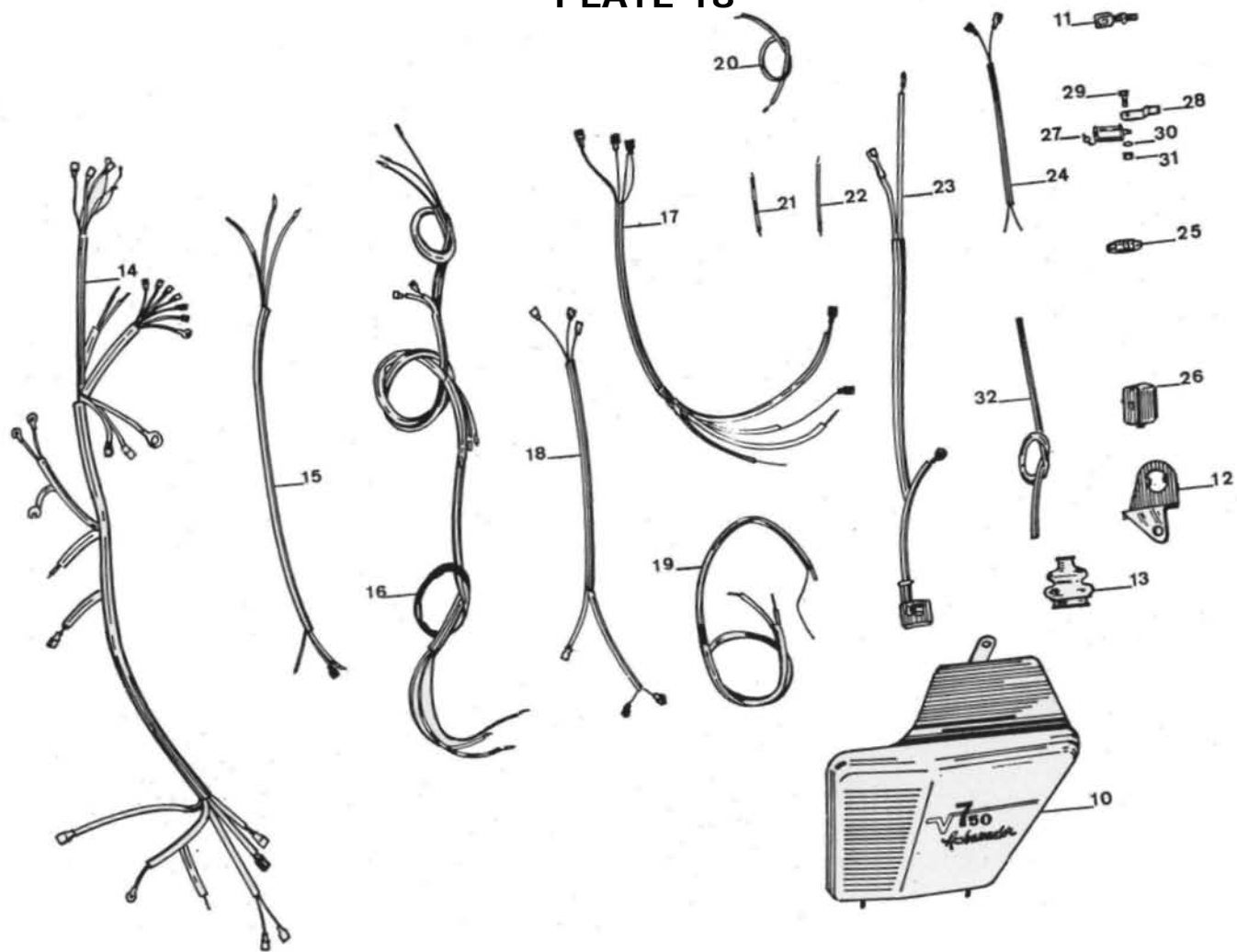


PLATE 18

Reference to Ambassador Parts Catalogue – II edition			New Plates for California Police			
Plate No.	Figure No.	Order No.	Figure No.	Order No.	Description	Quantity
18	22/1	1370 5220	10	1370 5240	Cover, battery, R/H	1
18	24/1	1370 5420	10	1370 5440	Cover, battery, L/H	1
18			11	1374 0740	Bolt, headlight securing	2
18			12	1373 6440	Plate, switch holder	1
18			13	1373 5840	Cap, protection	1
18	42	1274 7102	14	1374 7144	Cable harness, main	1
18	43	1274 7200	15	1374 7241	Cable, instrument panel to headlight	1
18			16	1374 7641	Cable, switch to fuse	1
18			17	1374 7841	Cable, terminal board to tail lamp	1
18			18	1374 8042	Cable, front terminal to indicator light	1
18			19	1374 8140	Cable, from courtesy light cutout	1
18			20	1374 8740	Cable, grounding, rear blue light	2
18			21	1374 8840	Cable, separate fuse to headlight terminal	1
18			22	1374 9340	Cable, rear blue light to rear terminal	2
18			23	1374 9441	Cable, battery to regulator	1
18			24	1374 8920	Cable, two-pole, front stop cutout	1
18			25	1374 2540	Fuse box	1
18			26	1374 2242	Switch, turn lights, read front light and radio ground	1
18			27	1374 1540	Flasher unit, 12V 60 W	1
18			28	1374 1640	Plate, flasher unit fixing	1
18			29	9805 4316	Screw, flasher unit securing screw.	1
18			30	9500 0206	Washer, flasher unit securing screw	1
18			31	9260 2206	Nut, flasher unit securing screw	1
18			32	1374 6940	Casing, for cables from the ignition switch	1

PLATE 18



SERVICE DEPARTMENT – PART DIVISION**Subject: changes to parts catalogue 2nd Ed.****Model: Ambassador 750 cc.****Change N. 1****Date: December, 1970**

Plate No.	Figure No.	Description	Before change Order No.	Quantity	After change Order No.	Quantity	Remarks
1	13	Cylinder head L/H	1202 2200	1	1302 2200	1	Errata corrige (order no)
1	48	Screw, intake pipe to cylinder head	9862 0435	2	9862 0435	6	Errata corrige (Quantity)
1	53	Cylinder and piston	1306 0100	1	1306 0100	2	Errata corrige (Quantity)
3	23	Piston ring set	1306 0600	2	1306 0600	2	Errata corrige (Description)
5	12	Filler cap, tank	1210 5401 1210 5402	2	1210 3900	1	Errata corrige (Fig. No)
5	19	Tap, fuel	1210 3900	1	1210 5401 1210 5402	2	Errata corrige (Fig. No)
7	17	Inner body	1208 6001	1	1208 6002	1	New part (not interchangeable)
7	18	Cage, complete	1208 7000	1	1208 7001	1	New part (not interchangeable)
7	19	Outer body	1208 6101	1	1208 6102	1	New part (not interchangeable)
7	20	Seal	9070 6150	1	9070 6170	1	New part (not interchangeable)
8	10	Gear box housing	1220 0201	1	1220 0201	1	Errata corrige (Description)
8	11	Cover, gear box	1220 0801	1	1220 0802	1	New part (not interchangeable)
9	17	Nut, adjusting on rod	9270 0073	1	9270 0073	2	Errata corrige (Quantity)
9	45/1	Washer, thrust, circlip to bush	1221 4600	2	1221 4600	3	Errata corrige (Quantity)
10	28	Circlip, drive shaft and bevel gears	9027 1020	3	9027 1020	3	Errata corrige (Description)
10	50	Shim, 0,9 mm. (.035")	1253 5402	1	1235 5402	1	Errata corrige (Order No)
11	53	Shock absorber unit	1255 0200	2	1255 0201	2	Errata corrige (Order No)
11	54	Spring, shock absorbers	1255 2300	1	1255 2301	1	Errata corrige (Order No)
11	65	Hand grip, machine raising	1246 4320	1	1246 4320	2	Errata corrige (Quantity)
11	73	Locks antitheft (including fig. 20 and 55)	1278 2200	1	1278 2200	1	Errata corrige (Description)
14	24	Indicator, high beam	1374 4900	1	1374 4900	1	Errata corrige (Description)
18	48	Rim, headlight	1270 0321	1	—		Cancelled (see plate 1/A)
18	49	Sealed beam unit	1274 0421	1	—		Cancelled (see plate 1/A)
18	50	Reflex reflector	1274 1221	1	—		Cancelled (see plate 1/A)

Plate No.	Figure No.	Description	Before change Order No.	Quantity	After change Order No.	Quantity	Remarks
1/A	25	Reflex reflector	1214 1720	1	1274 1720	1	Errata corrige (Order No)
6/A	10	Fairing-windscreen assembly with frame attachments (including fig. 21-22-23-24-25-26-27-28-29-30-31-32-33-34-35)	1257 5121	1			Cancelled
6/A	11	Fairing complete with fairing and attachments	1257 5321	1	1257 5321	1	Errata corrige (Description)
6/A	17	Ring, rubber, gasket clamp	1270 6800	1	=		Cancelled

SERVICE DEPARTMENT – SPARE PARTS DIVISION**Subject: changes to parts catalogue 2nd edition****Model: Ambassador 750 cc.****Amendment sheet n3****August 1972**

Plate No.	Figure No.	Description	Old Order No.	Quantity	New Order No.	Quantity	Remarks
8	10	Gearbox housing	1220 0201	1	1220 0200	1	Modified part
8	11	Cover, gearbox	1220 0801	1	1220 0802	1	Modified part
8	13	Bearing in gearbox for clutch shaft (13 x 35 x 15 Durkopp 10-2762)	9225 6217	1	9225 6218	1	New part
9	51	High gear complete with bushing	1221 5101	1	1221 5102	1	New part
9	52	Bushing, high speed gear	1221 5301	1	1221 5302	1	New part
10	21	Rear wheel drive, complete	1335 0200	1	1335 0201	1	New part
10	31	Rear drive casing	1235 0300	1	1235 0301	1	New part
10		Bottom plate			1235 1501		New part
10		Washer, bottom plate			1235 1601		New part
10		Screw, bottom plate			9862 2320		New part
11	20	Lock, antitheft, with key on steering column	1278 2580	1		1	Cancelled
11	53	Shock absorber unit	1255 0200	2	1255 0240	1	New part
11	54	Spring, shock absorbers	1255 2300	2	1255 2301	1	New part
13	12	Lever, front brake, complete	1260 5401	1	1360 5445	2	New parts. All earlier parts have been definitely cancelled. When passing orders request complete brake lever 13605445 or clutch lever 12605505.
13	13	Lever, front brake, bare	5560 5600	1	1260 5605	2	New parts. All earlier parts have been definitely cancelled. When passing orders request complete brake lever 13605445 or clutch lever 12605505.
13	14	Fulcrum, front brake lever	1260 1000	1	1360 1045	1	New parts. All earlier parts have been definitely cancelled. When passing orders request complete brake lever 13605445 or clutch lever 12605505.

Plate No.	Figure No.	Description	Old Order No.	Quantity	New Order No.	Quantity	Remarks
13	21	Lever, clutch, complete	1260 5500	1	1260 5505	1	New parts. All earlier parts have been definitely cancelled. When passing orders request complete brake lever 13605445 or clutch lever 12605505.
13	22	Lever, clutch, bare	5560 5700	1	1260 5705	1	New parts. All earlier parts have been definitely cancelled. When passing orders request complete brake lever 13605445 or clutch lever 12605505.
13	23	Fulcrum, clutch lever	1260 1900	1	1260 1905	1	New parts. All earlier parts have been definitely cancelled. When passing orders request complete brake lever 13605445 or clutch lever 12605505.
15	42	Shim, hub adjusting 1 mm. (.039")	9510 0715	1	1261 5800	as required	New part
15	42	Shim, hub adjusting 1.1 mm. (.043")	9510 0715	1	1261 5801	"	New part
15	42	Shim, hub adjusting 1.2 mm. (.047")	9510 0715	1	1261 5802	"	New part
15	42	Shim, nub adjusting 1.3 mm. (.051")	9510 0715	1	1261 5803	"	New part
15	42	Shim, hub adjusting 1.4 mm. (.055")	9510 0715	1	1261 5804	"	New part
15	42	Shim, hub adjusting 1.5 mm. (.059")	9510 0715	1	1261 5805	"	New part
15	42	Shim, hub adjusting 2 mm. (.078")	9510 0715	1	1261 5820	"	New part
16	54, 55	Shim, hub adjusting 1 mm. (.039")			1261 5800	as required	New part
16	54, 55	Shim, hub adjusting 1.1 mm. (.043")	9510 0715	2	1261 5801	"	New part
16	54, 55	Shim, hub adjusting 1.2 mm. (.047")	9510 0727	6 to 2	1261 5802	"	New part
16	54, 55	Shim, hub adjusting 1.3 mm. (.051")			1261 5803	"	New part
16	54, 55	Shim, hub adjusting 1.4 mm. (.055")			1261 5804	"	New part

Plate No.	Figure No.	Description	Old Order No.	Quantity	New Order No.	Quantity	Remarks
16	54, 55	Shim, hub adjusting 1.5 mm. (.059")			1261 5805	"	New part
16	54, 55	Shim, hub adjusting 2 mm. (.078")			1261 5820	"	New part
16	56	Spacer, hub bearings	9510 0727		1263 4000	1	New part