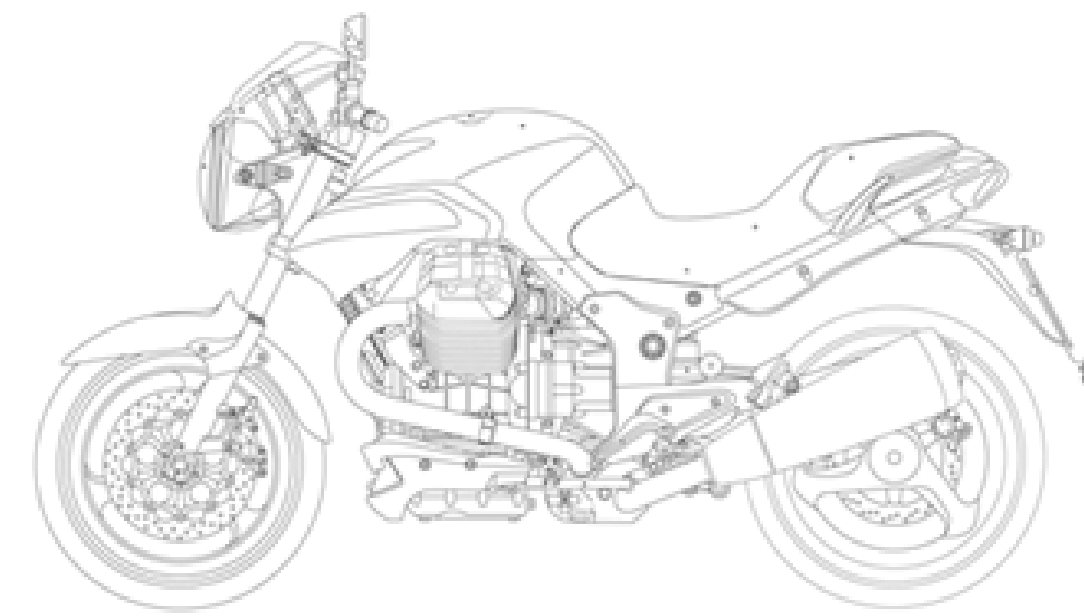




PIAGGIO & C.s.p.a.



## SPARE PARTS CATALOGUE



### **1200 Sport 8V 1200 2008-2011**

Chassis prefix: ZGULPJ20, ZGULPR00, ZGULPR01

Engine prefix:

*1200 SPORT*

**GU092**



## Index

Finished products.....	4
Alphanumeric index.....	5
FRAME.....	11
Table 33.01 - Frame.....	11
Table 33.02 - Stands.....	12
Table 33.03 - Foot rests I.....	13
Table 33.04 - Foot rests II.....	14
Table 33.05 - Gear lever.....	15
Table 33.06 - Steering.....	16
Table 33.07 - Front fork.....	17
Table 33.08 - Swing arm.....	19
Table 33.12 - Connecting rod - rear shock abs.....	20
Table 33.13 - Fuel tank.....	21
Table 33.14 - Front body I.....	22
Table 33.15 - Front body II.....	23
Table 33.16 - Pillar.....	24
Table 33.17 - Front mudguard.....	25
Table 33.18 - Saddle-Central bod.....	26
Table 33.19 - Rear body - Mudguard.....	28
Table 33.20 - Rear body - Rear fairing.....	29
Table 33.21 - Dashboard.....	30
Table 33.22 - Handlebar - Controls.....	32
Table 33.23 - Front master cilinder.....	33
Table 33.24 - Clutch control complete.....	34
Table 33.25 - Oil radiator.....	35
Table 33.26 - Blow-by system.....	36
Table 33.27 - Fuel supply.....	37
Table 33.28 - Air box.....	38
Table 33.29 - Exhaust unit.....	39
Table 33.30 - Internal fuel pump.....	40
Table 33.31 - Front wheel.....	41
Table 33.32 - Front brake caliper.....	42
Table 33.33 - Rear wheel.....	43
Table 33.34 - Rear master cylinder.....	44
Table 33.35 - Rear brake caliper.....	46
Table 33.36 - ABS Brake system.....	47
Table 33.37 - Headlight/Horn.....	48
Table 33.38 - Taillight.....	49
Table 33.39 - Electrical system I.....	50
Table 33.40 - Electrical system II.....	52
Table 33.41 - Lock hardware kit.....	54
Table 33.42 - Plate set-decal-op.handbooks.....	55
ENGINE.....	57



---

Table 34.09 - Transmission complete.....	57
Table 34.10 - Trans.cpl.-Cage.....	58
Table 34.11 - Trans.cpl.-Bevel gear.....	59
Table 34.43 - Crank-case I.....	60
Table 34.44 - Crank-case II.....	62
Table 34.45 - Cylinder head - valves.....	63
Table 34.46 - Head cover.....	64
Table 34.47 - RH cylinder timing system.....	65
Table 34.48 - LH cylinder timing system.....	67
Table 34.49 - Drive shaft - Cylinder.....	69
Table 34.50 - Timing system.....	71
Table 34.51 - Lubrication.....	72
Table 34.52 - Oil pump.....	73
Table 34.53 - Oil filters.....	74
Table 34.54 - Clutch.....	75
Table 34.55 - Transmission cage.....	76
Table 34.56 - Gear box selector.....	77
Table 34.57 - Primary gear shaft.....	78
Table 34.58 - Driven shaft.....	79
Table 34.59 - Clutch shaft.....	80
Table 34.60 - Current generator.....	81
Table 34.61 - Starter motor.....	82
Table 34.62 - Throttle body.....	83
SPECIAL TOOLS.....	84
Table 36.63 - Specific tools I.....	84
Table 36.64 - Specific tools II.....	85



1200 SPORT  
GU092 - 1200 Sport 8V 1200 2008-2011

Chassis prefix: ZGULPJ20, ZGULPR00,  
ZGULPR01  
Engine prefix:

## Finished products

Code	Validity
GU9032708AU800	
GU9032708AU801	
GU9032708AU802	
GU9032708EU800	
GU9032708EU801	
GU9032708EU802	
GU9032708EUB00	
GU9032708EUB03	
GU9032708GB800	
GU9032708GB801	
GU9032708GB802	
GU9032708GBB00	
GU9032708GBB03	
GU9032708JP800	
GU9032708JP801	
GU9032708JP802	
GU9032709AUD00	
GU9032709AUD01	
GU9032709AUD03	
GU9032709EUB00	
GU9032709EUB03	
GU9032709JPA00	
GU9032709JPD03	



Code	No. table	Pos.	Code	No. table	Pos.	Code	No. table	Pos.
0000000	33.31	14	873491	34.62	8	883045	34.09	7
0000000	33.33	8	873626	34.46	9	883046	34.09	2
013763	34.51	8	873631	34.47	12	883079	33.29	20
015792	34.47	5	873631	34.48	12	883125	33.39	1
015792	34.48	5	873654	34.46	13	883275	33.27	3
015935	34.43	35	873667	34.49	2	883284	33.01	1
020470Y	36.63	5	873668	34.46	8	883314	33.38	1
020672Y	36.63	12	873689	34.47	28	883315	34.62	17
020673Y	36.63	16	873689	34.49	20	883316	34.62	16
020674Y	36.63	19	873690	34.48	28	883345	33.21	1
020675Y	36.63	20	873690	34.49	21	883346	33.21	1
020676Y	36.63	21	873850	34.47	10	883367	33.22	18
020677Y	36.63	1	873850	34.48	10	883368	33.22	19
020678Y	36.63	22	873861	34.62	14	883418	33.39	3
020689Y	36.63	23	873879	34.62	7	883419	33.39	2
020716Y	36.63	4	873906	34.52	14	883419	33.39	2
237553	34.52	7	873928	34.50	8	883422	33.22	5
244585	34.48	29	874126	34.45	9	883423	33.22	7
285846	34.45	8	874127	34.45	5	883424	33.22	2
411209	34.43	2	874134	34.43	34	883438	33.42	7
414835	34.52	9	874213	34.43	19	883482	33.29	9
434947	34.51	6	874223	34.51	3	883482	33.29	9
436438	34.45	6	874238	34.51	18	883483	33.42	1
484819	34.47	11	874257	34.43	27	883494	33.25	7
484819	34.48	11	874280	34.50	18	883495	33.26	1
487444	34.47	14	874281	34.50	11	883496	33.18	5
487444	34.48	14	874286	34.49	7	88349600BM	33.18	5
560110	34.43	10	874287	34.49	4	88349600XE4	33.18	5
621914	34.51	12	874288	34.49	5	88349600Y02	33.18	5
639542	33.02	3	874289	34.49	6	883497	33.39	2
640912	33.39	13	874293	34.49	15	883499	33.26	5
641541	34.51	16	874335	34.45	7	883500	33.26	6
825597	34.44	4	874482	34.52	8	883528	33.42	18
825597	34.45	11	874521	34.47	22	883529	33.42	17
825597	34.49	11	874521	34.48	22	883530	33.42	15
825694	34.47	7	874567	34.49	8	883531	33.42	14
825694	34.48	7	874601	34.47	19	883818	33.40	2
827018	34.45	10	874601	34.48	19	883819	33.40	3
827018	34.47	2	874616	34.52	11	883828	33.19	1
827018	34.48	2	874621	34.47	3	883883	33.31	1
829122	34.53	2	874621	34.48	3	883886	33.33	1
829486	34.52	5	874621	34.49	12	883906	33.39	2
829661	34.52	6	874622	34.47	3	883907	33.29	9
830249	34.46	3	874622	34.48	3	883908	33.29	16
843060	34.47	20	874622	34.49	12	884033	33.34	24
843060	34.48	20	874645	34.51	9	884118	33.39	1
849131	34.49	18	874646	34.51	7	884145	33.39	1
849866	34.49	23	874650	34.52	1	886340	33.42	16
872606	34.46	10	874655	34.51	11	886944	33.42	23
872607	34.46	1	874669	34.51	4	886945	33.42	21
872695	34.45	3	874799	34.50	15	886946	33.42	22
872696	34.45	4	874801	34.52	10	886947	33.42	18
872726	34.46	4	874805	34.47	29	886948	33.42	17
872740	34.46	14	874805	34.48	30	886949	33.42	19
872741	34.46	11	874980	34.43	26	886950	33.42	20
872742	34.46	7	875243	34.49	19	886951	33.42	15
872755	34.45	2	875244	34.49	19	886952	33.42	14
872755	34.48	1	875554	34.48	16	88697700Y01	33.14	1
872756	34.45	1	877820	34.53	6	88697900BM	33.20	1
872756	34.47	1	8783390001	34.49	17	88698000BM	33.20	2
872759	34.47	6	8783390002	34.49	17	88698100Y02	33.18	17
872759	34.48	6	8783390003	34.49	17	886986	33.18	1
872814	34.47	21	879707	34.47	10	887123	34.51	22
872814	34.48	21	879707	34.48	10	887422	33.27	1
873425	34.48	4	879916	34.47	11	887422	33.30	1
873426	34.47	4	879916	34.48	11	969323	34.51	10
873490	34.62	3	883030	33.39	1	974228	34.47	27



Code	No. table	Pos.	Code	No. table	Pos.	Code	No. table	Pos.
974228	34.48	27	976674	34.47	15	978895	34.51	1
976023	34.54	1	976674	34.48	15	978911	33.24	7
976053	34.54	2	976678	34.60	1	978915	33.29	2
976304	34.49	10	976680	34.51	15	978916	33.29	1
976311	34.47	3	976681	34.51	17	981007	34.49	13
976311	34.48	3	976696	34.54	14	981008	34.49	1
976311	34.49	12	976697	34.62	1	981009	34.49	3
976312	34.49	9	976698	34.47	16	981010	34.62	2
976330	34.50	1	976934	34.55	17	981011	34.62	20
976331	34.50	4	976961	34.43	30	981046	33.24	2
976334	34.50	9	977041	33.34	14	981050	33.23	2
976337	34.47	26	977056	33.33	10	981087	33.21	28
976337	34.48	26	977079	33.02	1	981087	33.41	7
976338	34.47	25	977080	33.02	2	981094	33.07	4
976338	34.48	25	977666	33.41	1	981095	33.07	5
976341	34.47	24	977749	33.14	3	981096	33.07	3
976341	34.48	24	97774900BM	33.14	3	981097	33.07	2
976342	34.49	22	977750NA	33.14	8	981098	33.07	21
976350	34.47	18	977751	33.14	7	981114	34.51	21
976350	34.48	18	977752	33.14	9	981115	34.53	15
976352	34.59	1	977754	33.18	17	AP4ADN000007	34.43	20
976355	34.50	6	97775400XE4	33.18	17	AP8101372	33.25	4
976359	34.47	8	97775400Y02A	33.18	17	AP8101586	33.26	8
976359	34.48	8	977761	33.40	25	AP8101595	33.13	12
976360	34.47	9	977762	33.40	26	AP8101595	33.19	15
976360	34.48	9	977769	33.40	21	AP8101595	33.28	17
976376	33.29	3	977771	33.40	22	AP8101595	33.34	5
976381	34.50	2	977772	33.40	20	AP8101595	34.55	15
976453	34.55	1	977805	33.01	14	AP8101861	33.03	10
976478	34.44	9	977806	33.01	13	AP8101968	33.34	16
976480	34.44	1	977809	33.01	7	AP8102151	33.26	3
976481	34.54	7	97781800XE4	33.14	1	AP8102151	33.34	28
976484	34.54	8	97781800Y02A	33.14	1	AP8102375	33.15	9
976486	34.43	18	9778190087	33.14	3	AP8102375	33.16	3
976488	34.50	3	977820	33.42	16	AP8102375	33.17	3
976498	34.62	5	977822	33.03	3	AP8102375	33.19	6
976502	34.43	16	977823	33.03	5	AP8102375	33.20	4
976521	33.29	15	977824	33.03	8	AP8102502	33.18	12
976522	33.29	7	977825	33.03	11	AP8102520	33.26	4
976523	33.29	8	977831	33.18	1	AP8102523	33.18	11
976532	34.59	4	978093	33.01	15	AP8102524	33.02	9
976533	34.59	3	978157	33.37	21	AP8102913	33.18	8
976535	34.54	5	978158	33.37	20	AP8102914	33.18	7
976538	34.50	10	978175	33.07	15	AP8104211	33.28	2
976539	34.43	1	978176	33.07	14	AP8104451	33.13	15
976554	34.44	5	978177	33.07	18	AP8104509	33.22	10
976555	34.62	4	978178	33.07	17	AP8104666	33.13	13
976556	33.39	21	978180	33.07	22	AP8104921	33.22	21
976559	34.46	12	978181	33.07	27	AP8104922	33.22	22
976560	34.46	6	978182	33.07	26	AP8110066	33.12	5
976563	34.54	9	978183	33.07	25	AP8110068	33.12	6
976564	34.54	10	978184	33.07	24	AP8110077	33.06	8
976565	34.55	5	978185	33.07	32	AP8112811	33.40	9
976566	34.62	6	978186	33.07	33	AP8112811	33.40	9
976570	34.09	1	978187	33.07	31	AP8112996	33.34	27
976581	34.11	1	978204	33.22	1	AP8113288	33.34	3
976589	34.47	17	978220	33.41	5	AP8113594	33.34	2
976589	34.48	17	978282	33.07	1	AP8113993	33.23	5
976591	34.46	2	978287	33.29	16	AP8113995	33.23	3
976592	34.51	5	978350	33.08	1	AP8113996	33.24	4
976593	34.54	12	978392	34.10	17	AP8113997	33.24	5
976594	34.54	12	978505	33.40	11	AP8113998	33.24	6
976595	34.54	12	978606	33.23	1	AP8117200	33.40	5
976596	34.54	12	978607	33.24	1	AP8117200	34.61	5
976597	34.51	19	978739	34.54	3	AP8118492	33.22	16
976625	34.51	14	978854	34.51	16	AP8118502	33.22	15
976665	34.50	16	978882	33.42	6	AP8118503	33.22	17



Code	No. table	Pos.	Code	No. table	Pos.	Code	No. table	Pos.
AP8118579	33.22	9	AP8140190	36.64	2	AP8152329	33.19	4
AP8120030	33.28	12	AP8144007	33.05	7	AP8152329	33.28	9
AP8120030	33.39	5	AP8144007	33.34	25	AP8152329	33.34	10
AP8120177	33.40	6	AP8144038	33.28	16	AP8152329	33.40	4
AP8120178	33.34	13	AP8144046	33.40	15	AP8152334	33.21	21
AP8120405	33.38	4	AP8144071	33.29	19	AP8152336	33.32	7
AP8120428	33.28	19	AP8144164	33.28	7	AP8152339	33.04	8
AP8120455	33.20	16	AP8144538	33.18	3	AP8152339	33.15	5
AP8120485	34.11	7	AP8144553	33.40	7	AP8152339	33.16	4
AP8120594	33.16	7	AP8144565	33.14	5	AP8152339	33.18	4
AP8120615	33.28	4	AP8144707	33.37	19	AP8152339	33.19	5
AP8120876	33.28	18	AP8150046	33.04	12	AP8152339	33.20	3
AP8120912	33.05	3	AP8150046	34.44	10	AP8152339	33.21	13
AP8120912	33.34	20	AP8150255	33.21	4	AP8152384	33.06	10
AP8120952	33.13	14	AP8150292	33.02	7	AP8152396	33.12	16
AP8120952	33.19	14	AP8150292	33.12	13	AP8152397	33.12	9
AP8120952	34.55	16	AP8150413	33.15	3	AP8152398	33.12	2
AP8120965	33.13	11	AP8150421	33.21	15	AP8152409	33.03	2
AP8121032	34.61	7	AP8150421	33.28	13	AP8152410	34.09	3
AP8121096	33.20	15	AP8150432	33.01	11	AP8152482	33.12	15
AP8121098	34.11	6	AP8150462	33.05	5	AP8201124	33.13	2
AP8121133	33.03	9	AP8150462	33.34	22	AP8201301	33.34	17
AP8121155	33.12	10	AP8150509	33.21	5	AP8201808	33.19	16
AP8121170	33.29	13	AP8150509	33.26	7	AP8201808	33.35	12
AP8121205	33.06	9	AP8152001	33.02	8	AP8202238	33.35	11
AP8121207	33.06	4	AP8152055	33.20	14	AP8202238	33.36	10
AP8121218	34.09	4	AP8152147	33.12	12	AP8212702	33.38	5
AP8121221	33.05	2	AP8152166	34.50	7	AP8213113	33.35	8
AP8121221	33.34	19	AP8152238	33.21	20	AP8213113	33.36	9
AP8121520	33.22	4	AP8152242	34.09	5	AP8220150	33.21	3
AP8121567	33.03	1	AP8152267	33.19	9	AP8220162	33.04	14
AP8121804	33.13	6	AP8152272	33.33	12	AP8220283	33.40	19
AP8121915	33.24	9	AP8152273	33.27	2	AP8220526	33.04	15
AP8121927	33.34	23	AP8152273	33.34	30	AP8220546	33.40	17
AP8121994	33.02	6	AP8152274	33.27	6	AP8221023	33.18	19
AP8123641	33.06	7	AP8152277	33.40	12	AP8221023	33.28	11
AP8123642	33.06	5	AP8152278	33.21	23	AP8221023	33.39	6
AP8123643	33.06	3	AP8152278	33.28	20	AP8221036	33.06	15
AP8123644	33.06	6	AP8152278	33.31	19	AP8221036	33.38	3
AP8124266	33.40	14	AP8152278	33.33	14	AP8221128	33.16	6
AP8124768	33.40	13	AP8152278	33.34	12	AP8221145	33.34	11
AP8124869	33.40	16	AP8152278	34.54	4	AP8221204	33.02	10
AP8124936	33.21	16	AP8152279	33.28	10	AP8221211	33.02	11
AP8124976	33.38	6	AP8152279	33.34	4	AP8221227	33.01	12
AP8124985	33.21	22	AP8152279	33.39	4	AP8221277	33.03	6
AP8125773	33.31	4	AP8152282	33.39	7	AP8221307	33.01	9
AP8125777	33.31	3	AP8152286	33.37	15	AP8224164	33.19	10
AP8125779	33.31	5	AP8152287	33.16	5	AP8224462	33.40	18
AP8125791	33.31	9	AP8152291	33.13	7	AP9100838	36.63	3
AP8127109	33.37	2	AP8152291	34.43	29	AP9150472	34.51	23
AP8127469	33.31	18	AP8152292	33.20	8	B0133785001	34.49	14
AP8127514	33.37	9	AP8152298	33.06	14	B0133785002	34.49	14
AP8127515	33.37	10	AP8152298	33.27	5	B0133785003	34.49	14
AP8127552	33.37	11	AP8152298	33.38	2	B013603	34.47	8
AP8127552	33.38	9	AP8152299	33.18	10	B013603	34.48	8
AP8133594	33.24	8	AP8152299	33.39	23	B013605	34.47	9
AP8133594	33.35	10	AP8152300	33.04	6	B013605	34.48	9
AP8133594	33.36	2	AP8152300	33.37	18	B014603	34.47	13
AP8133597	33.35	7	AP8152301	33.01	8	B014603	34.48	13
AP8133597	33.36	8	AP8152301	33.12	11	B015681	34.47	12
AP8133962	33.23	7	AP8152302	33.15	8	B015681	34.48	12
AP8134378	33.29	18	AP8152302	33.17	2	B043864	33.13	9
AP8134448	33.19	8	AP8152302	33.20	6	B045021	33.22	12
AP8134451	33.03	7	AP8152306	33.19	11	B0630111	34.54	12
AP8135608	33.12	8	AP8152306	33.38	7	B063012	34.54	12
AP8135924	33.12	4	AP8152318	33.08	2	B063025	34.55	11
AP8140179	36.63	11	AP8152320	33.35	2	B063858	33.41	1



Code	No. table	Pos.	Code	No. table	Pos.	Code	No. table	Pos.
B063859	33.41	3	GU05100230	33.13	1	GU05358330	34.10	1
CM162701	34.47	30	GU0510023000XE4	33.13	1	GU05358530	34.10	15
CM162701	34.48	31	GU0510023000Z1	33.13	1	GU05358630	34.10	16
CM162702	34.47	30	GU05100232	33.13	1	GU05421430	33.01	2
CM162702	34.48	31	GU05102930	33.13	16	GU05421530	33.01	3
CM162703	34.47	30	GU05103830	33.28	5	GU05434330	33.17	1
CM162703	34.48	31	GU05103930	33.13	8	GU0543433000XE4	33.17	1
CM162704	34.47	30	GU05103930	33.41	2	GU05434331	33.17	1
CM162704	34.48	31	GU05107430	33.30	3	GU05434332	33.17	1
CM162705	34.47	30	GU05113530	33.28	6	GU05436530	33.35	12
CM162705	34.48	31	GU05113730	33.28	3	GU05436530	33.36	11
GU00823923140	33.02	14	GU05114031	33.28	1	GU05438630	33.19	7
GU00823950050	33.34	6	GU05114130	33.28	8	GU05438730	33.19	1
GU01003651	34.43	15	GU05121630	33.29	6	GU05443530NA	33.04	1
GU01106090	33.30	2	GU05123430	33.29	22	GU05446030NA	33.04	11
GU01108490	33.30	4	GU05124230	33.29	10	GU05446431	33.04	9
GU01154230	33.26	12	GU05128230	33.29	14	GU05446930	33.04	7
GU01154230	34.43	11	GU05135930	33.27	4	GU05447430	33.04	13
GU01154230	34.51	2	GU05152230	34.53	3	GU05464330NA	33.20	11
GU01161331	33.26	11	GU05157430	33.26	2	GU05464830	33.20	13
GU01161331	34.51	13	GU05159330	33.26	10	GU05466830	33.18	6
GU01163600	34.53	8	GU05162031	33.25	1	GU05466830	33.41	4
GU01163700	34.53	7	GU05164630	33.25	2	GU05467330	33.20	7
GU01528930	34.10	13	GU05204930	34.55	8	GU05476430	33.15	7
GU01528930	34.10	8	GU05206530	34.10	12	GU05479630	33.19	2
GU01528930	34.43	23	GU05210631	34.57	1	GU05493130	33.06	1
GU01528930	34.55	9	GU05211331	34.57	10	GU05494030	33.06	2
GU01530593	33.07	30	GU05211431	34.57	7	GU05526630	33.07	19
GU01576530	33.04	3	GU05212031	34.57	4	GU05530535	33.07	12
GU01603480	33.22	14	GU05212631	34.57	9	GU05547030	33.08	6
GU01609630	33.22	20	GU05213631	34.58	1	GU05547130	33.08	5
GU01612190	33.31	11	GU05214031	34.58	7	GU05547930	33.08	8
GU01654630	33.32	3	GU05214231	34.58	3	GU05548030	33.08	3
GU01659130	33.32	5	GU05214431	34.58	12	GU05550230	33.12	1
GU01659131	33.32	6	GU05214630	34.57	5	GU05560330	33.12	3
GU01721600	33.39	15	GU05214630	34.58	5	GU05562030	33.12	7
GU01722700	33.39	17	GU05214731	34.58	9	GU05562430	33.12	14
GU01722701	33.39	17	GU05215031	34.58	10	GU05570230	33.18	2
GU01722702	33.39	17	GU05215631	34.57	2	GU0557023000XE4	33.18	2
GU01722703	33.39	17	GU05220531	34.58	11	GU05570230BM	33.18	2
GU01722704	33.39	17	GU05230531	34.56	18	GU05570232	33.18	2
GU01722705	33.39	17	GU05230831	34.56	21	GU05570530	33.16	1
GU01929100	36.63	7	GU05232431	34.56	19	GU05570630	33.16	2
GU02107100	33.13	5	GU05232631	34.56	20	GU05573230	33.20	1
GU03013800	34.52	12	GU05234130	34.56	11	GU0557323000XE4	33.20	1
GU03013800	34.61	9	GU05234230	34.56	12	GU0557323000Y02A	33.20	1
GU03270300	33.20	9	GU05234431	34.56	1	GU05573330	33.20	2
GU03270300	33.21	8	GU05234631	34.56	2	GU0557333000XE4	33.20	2
GU03469201	34.61	8	GU05234731	34.56	10	GU0557333000Y02A	33.20	2
GU03530506	33.07	23	GU05234931	34.56	13	GU05573830	33.18	13
GU03530510	33.07	20	GU05235531	34.56	3	GU05573831	33.18	14
GU03530513	33.07	16	GU05236231	34.56	7	GU05576230	33.15	2
GU03530524	33.07	10	GU05238131	34.56	15	GU05576230NA	33.15	2
GU03530525	33.07	9	GU05238231	34.56	8	GU05576330	33.15	4
GU03530526	33.07	8	GU05238331	34.56	14	GU05576330NA	33.15	4
GU03530527	33.07	7	GU05238431	34.56	9	GU05576631	33.15	1
GU03530528	33.07	6	GU05239330	34.56	17	GU05576731	33.15	6
GU03604845	33.24	3	GU05251130	33.05	1	GU05578630	33.37	6
GU03609600	33.22	20	GU05256930	33.05	13	GU05578631	33.37	8
GU03617710	33.31	12	GU05257830	33.05	12	GU05603331	33.22	13
GU03617710	33.33	2	GU05258230	33.05	10	GU05606630	33.24	10
GU03749845	33.23	9	GU05326330	34.09	6	GU05610530	33.31	1
GU05001630	34.44	12	GU05351230	34.10	2	GU05611430	33.31	7
GU05002130	34.44	3	GU05352430	34.11	2	GU05613330	33.31	6
GU05003630	34.43	17	GU05358030	34.10	6	GU05613335	33.31	15
GU05004930	34.43	24	GU05358130	34.10	5	GU05614130	33.31	8
GU05005730	34.53	4	GU05358230	34.10	7	GU05615230	33.31	2



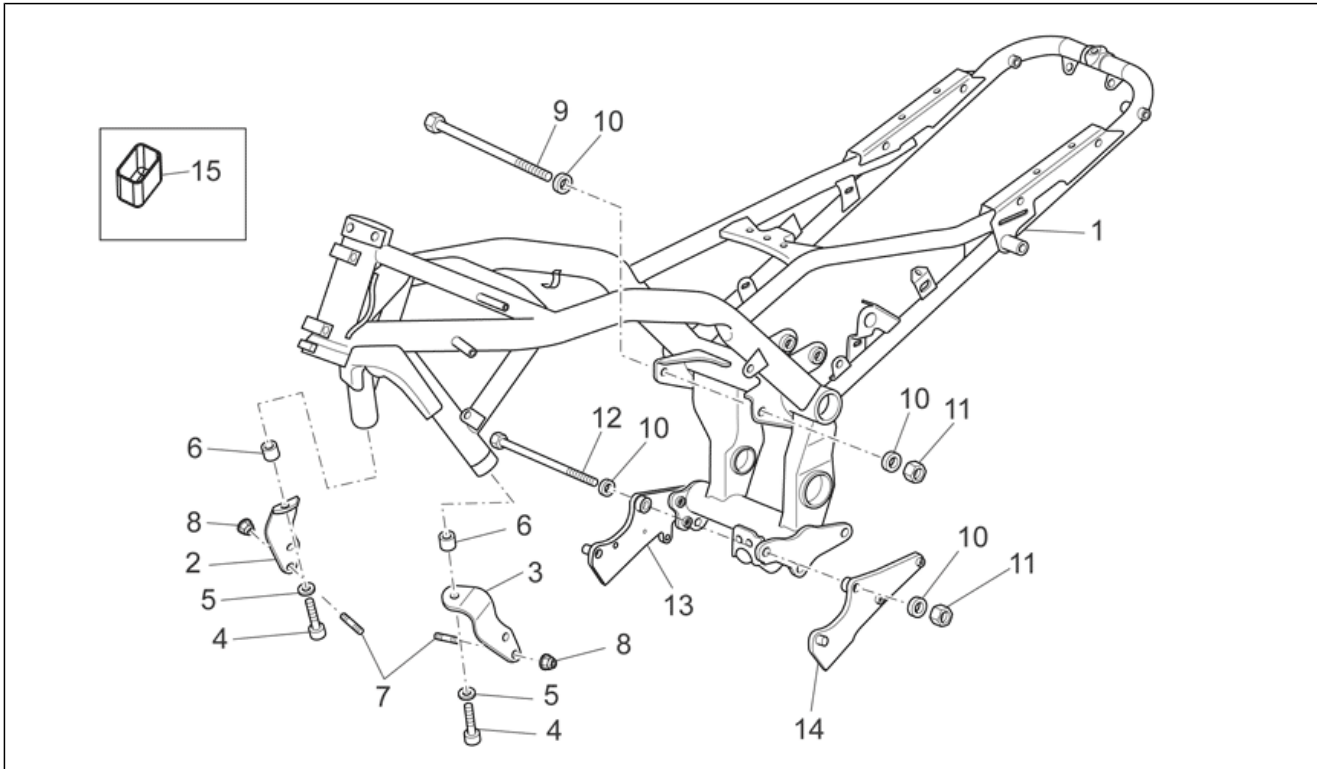


Code	No. table	Pos.	Code	No. table	Pos.	Code	No. table	Pos.
GU05630530	33.33	1	GU05911730	36.63	2	GU32461810	33.18	15
GU05630531	33.33	1	GU05917530	33.42	4	GU32727010	33.29	12
GU05632730	33.33	3	GU05926030	33.42	8	GU32944210	33.20	17
GU05634430	33.33	5	GU05927230	36.63	6	GU49609601	33.21	25
GU05635730	33.33	6	GU05944530	33.42	10	GU49609601	33.31	20
GU05638130	34.11	9	GU05944930	33.42	12	GU49609601	33.33	15
GU05652230	33.32	2	GU05945030	33.42	9	GU4FAN000030	34.60	10
GU05652330	33.32	1	GU06658800	33.23	6	GU61270300	34.43	13
GU05653030	33.35	1	GU06917300	33.42	3	GU90271014	34.56	16
GU05654630	33.35	3	GU06917400	33.42	2	GU90271022	34.56	4
GU05657530	33.35	9	GU12006400	34.51	20	GU90271030	34.57	8
GU05658431	33.06	13	GU12018900	34.43	6	GU90271030	34.58	8
GU05659030	33.35	5	GU12022600	34.43	31	GU90271230	34.57	6
GU05659130	33.35	4	GU12911801	36.63	10	GU90271230	34.58	6
GU05659230	33.32	4	GU12912000	36.63	8	GU90273026	34.11	8
GU05661130	33.23	4	GU12913600	36.63	17	GU90274002	33.21	17
GU05663530	33.34	7	GU14085900	34.54	11	GU90274008	33.29	11
GU05666030	33.34	9	GU14086000	34.54	13	GU90353014	34.56	22
GU05666930	33.34	1	GU14433400	34.50	12	GU90401424	34.55	12
GU05677030	33.34	18	GU14609650	33.02	15	GU90404558	34.11	3
GU05680530	33.36	5	GU14609650	33.39	24	GU90405367	34.43	4
GU05680830	33.36	4	GU14609650	33.40	1	GU90408511	34.10	10
GU05680930	33.36	7	GU14615901	33.29	5	GU90412237	34.44	2
GU05681030	33.36	1	GU14615901	34.43	5	GU90412541	34.58	14
GU05681130	33.36	6	GU14616150	33.31	13	GU90706141	33.39	16
GU05681430	33.31	16	GU14616150	33.33	9	GU90706151	34.53	5
GU05681530	33.33	11	GU14912603	36.63	24	GU90706178	34.43	25
GU05683130	33.36	12	GU14927100	36.63	9	GU90706203	34.43	32
GU05683730	33.33	13	GU17661052	33.34	8	GU90706347	34.44	8
GU05701430	34.60	7	GU17947560	36.63	15	GU90718120	34.10	3
GU05702530	34.60	6	GU18144350	34.52	4	GU91120606	34.44	13
GU05704531	33.40	2	GU18144350	34.53	13	GU91120607	34.44	7
GU05704630	33.40	3	GU18144350	34.55	7	GU91120622	33.25	8
GU05716730	33.39	9	GU19002020	34.55	14	GU91120924	33.20	10
GU05717030	33.39	14	GU19207220	34.55	10	GU91180823	34.60	2
GU05730730	34.61	1	GU19927100	36.63	18	GU91181215	33.01	6
GU05733330	34.61	4	GU19929600	36.63	14	GU91551010	33.25	3
GU05735530	33.41	6	GU25656100	33.23	8	GU91600365	34.50	19
GU05738030	33.22	8	GU25656100	33.35	6	GU91600450	34.50	14
GU05740530	33.37	1	GU25656100	33.36	3	GU92201025	34.56	6
GU05740531	33.37	1	GU28576591	33.19	12	GU92201117	34.56	5
GU05743730	33.37	14	GU28742562	33.40	10	GU92201226	34.58	13
GU05745730	33.21	11	GU29722760	33.39	17	GU92201226	34.59	2
GU05747830	33.40	8	GU29729461	33.39	20	GU92201822	34.57	11
GU05747930	33.40	11	GU30027931	33.28	15	GU92201822	34.58	2
GU05751630	33.38	8	GU30103730	33.13	10	GU92204230	34.11	5
GU05751730	33.38	11	GU30150900	34.53	9	GU92208518	34.11	4
GU05764030	33.21	6	GU30153000	34.53	1	GU92232028	34.59	5
GU05764330	33.21	10	GU30158900	34.52	3	GU92249224	33.08	7
GU05764430	33.21	12	GU30158900	34.53	12	GU92252029	34.57	3
GU05764430	33.21	12	GU30217900	33.01	5	GU92252029	34.58	4
GU05764530	33.21	14	GU30441005	33.03	4	GU92602525	34.50	17
GU05766530	33.21	2	GU30530561	33.07	28	GU92605408	34.60	12
GU05767830	33.21	26	GU30530577	33.07	29	GU92606206	33.34	15
GU05780430	33.21	27	GU30609600	33.39	24	GU92606516	34.60	8
GU05780530	33.19	3	GU30611460	33.33	7	GU92609408	33.40	24
GU05782530	33.21	18	GU30714201	34.60	9	GU92630104	33.39	12
GU05782530	33.41	3	GU30716500	33.39	8	GU92630206	33.21	24
GU05900130	33.42	11	GU30729330	33.28	14	GU92630206	33.37	13
GU05902530	36.63	13	GU30944300	33.42	5	GU92630206	33.38	13
GU05902730	36.64	8	GU30970200	33.42	13	GU92630707	33.05	11
GU05902731	36.64	5	GU31003766	34.10	9	GU92650138	33.29	21
GU05902732	36.64	3	GU31003766	34.43	22	GU92660012	34.60	5
GU05902733	36.64	4	GU31003766	34.55	13	GU92660021	33.29	4
GU05902734	36.64	7	GU31159050	34.52	2	GU92660021	34.43	8
GU05902735	36.64	6	GU31159050	34.53	14	GU92750180	34.50	13
GU05902736	36.64	1	GU32461610	33.18	16	GU92787205	33.15	10



Code	No. table	Pos.	Code	No. table	Pos.
GU93180220	34.55	3	GU98612216	33.02	4
GU93231604	33.14	6	GU98620445	34.60	3
GU93304360	33.39	24	GU98620560	34.60	4
GU93304360	33.40	1	GU98680335	34.43	14
GU93304390	33.08	4	GU98680335	34.44	15
GU93305061	34.62	13	GU98680340	33.07	13
GU93306017	33.26	13	GU98680340	33.22	11
GU93306018	33.26	9	GU98680340	33.25	5
GU93306050	34.62	18	GU98680340	34.43	28
GU93450105	33.37	4	GU98680360	34.43	21
GU93450105	33.38	14	GU98680440	33.04	5
GU93450126	33.37	12	GU98680445	33.29	17
GU93450126	33.38	10	GU98680450	34.10	11
GU93450265	33.37	3	GU98682125	33.39	10
GU94321077	34.53	10	GU98682212	33.39	18
GU95005304	33.15	11	GU98682212	34.62	15
GU95005306	33.25	6	GU98682215	33.20	5
GU95005306	34.52	13	GU98682316	33.05	4
GU95005312	33.29	23	GU98682316	33.34	21
GU95005325	33.31	10	GU98682316	34.44	14
GU95008204	33.39	11	GU98682320	33.05	6
GU95008205	33.39	19	GU98682320	33.05	9
GU95008206	34.53	11	GU98682320	34.44	6
GU95008206	34.62	10	GU98682325	33.08	9
GU95008208	33.13	4	GU98682330	34.44	11
GU95008208	34.61	3	GU98682414	33.13	3
GU95008213	33.05	8	GU98682416	33.21	7
GU95008305	34.62	19	GU98682425	33.06	12
GU95008308	33.16	8	GU98682425	33.20	12
GU95008310	33.34	26	GU98682430	33.06	11
GU95008313	33.01	10	GU98682430	33.21	19
GU95008313	33.02	13	GU98682435	33.37	7
GU95020105	33.02	5	GU98682535	33.07	11
GU95021104	33.23	11	GU98682650	33.01	4
GU95100116	34.49	16	GU98683520	33.39	22
GU95100116	34.62	12	GU98690435	33.22	3
GU95100244	33.37	16	GU98692216	33.14	2
GU95129131	33.40	23	GU98692313	33.21	9
GU95510620	34.10	4	GU98692318	33.37	5
GU95512081	34.43	9	GU98692318	33.38	12
GU95980216	34.43	33	GU98692325	33.21	9
GU95980319	34.55	6	GU98692425	33.04	4
GU96508066	34.43	3	GU98692425	33.22	6
GU96508075	34.43	7	GU98692430	33.04	2
GU97202355	34.55	2	GU98710215	33.37	22
GU97202665	33.33	4	GU98882325	34.62	9
GU98082475	34.61	2	GU99210406	34.10	14
GU98084425	34.43	12			
GU98230510	34.46	5			
GU98230612	34.54	6			
GU98230850	34.60	11			
GU98231235	33.02	12			
GU98250510	33.31	17			
GU98350210	33.04	10			
GU98350210	33.34	29			
GU98350210	34.47	23			
GU98350210	34.48	23			
GU98350310	34.49	24			
GU98350310	34.62	11			
GU98350315	34.50	5			
GU98370412	33.14	4			
GU98370412	33.23	10			
GU98370609	34.61	6			
GU98370614	33.19	13			
GU98370616	33.18	18			
GU98370616	34.55	4			
GU98370625	33.18	9			

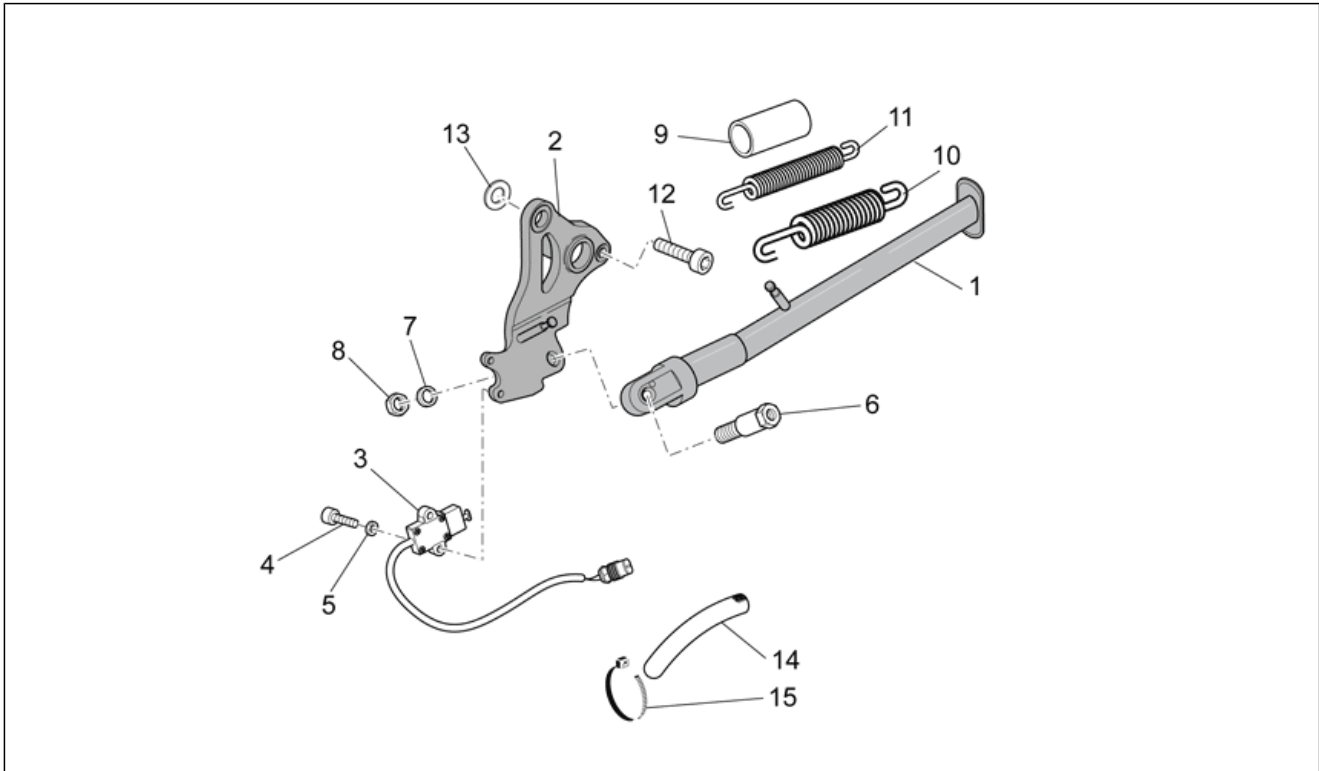
<b>Group</b>	FRAME
<b>Code</b>	33.01
<b>Description</b>	Frame
<b>Service</b>	1



Pos.	Code	Description	Qty	Variants
1	883284	Frame	1	
2	GU05421430	RH plate	1	
3	GU05421530	LH plate	1	
4	GU98682650	Hex socket screw M12x50	2	
5	GU30217900	Washer 13x18x1,7	2	
6	GU91181215	Spacer 12x35x14	2	
7	977809	Stud bolt M10x38	4	
8	AP8152301	Self-locking nut	4	
9	AP8221307	Pin M12	1	
10	GU95008313	Washer 13x24x2,5	4	
11	AP8150432	Low self-locking nut M12*	2	
12	AP8221227	Pin M12x270	1	
13	977806	RH plate	1	
14	977805	LH plate	1	
15	978093	Cap	2	

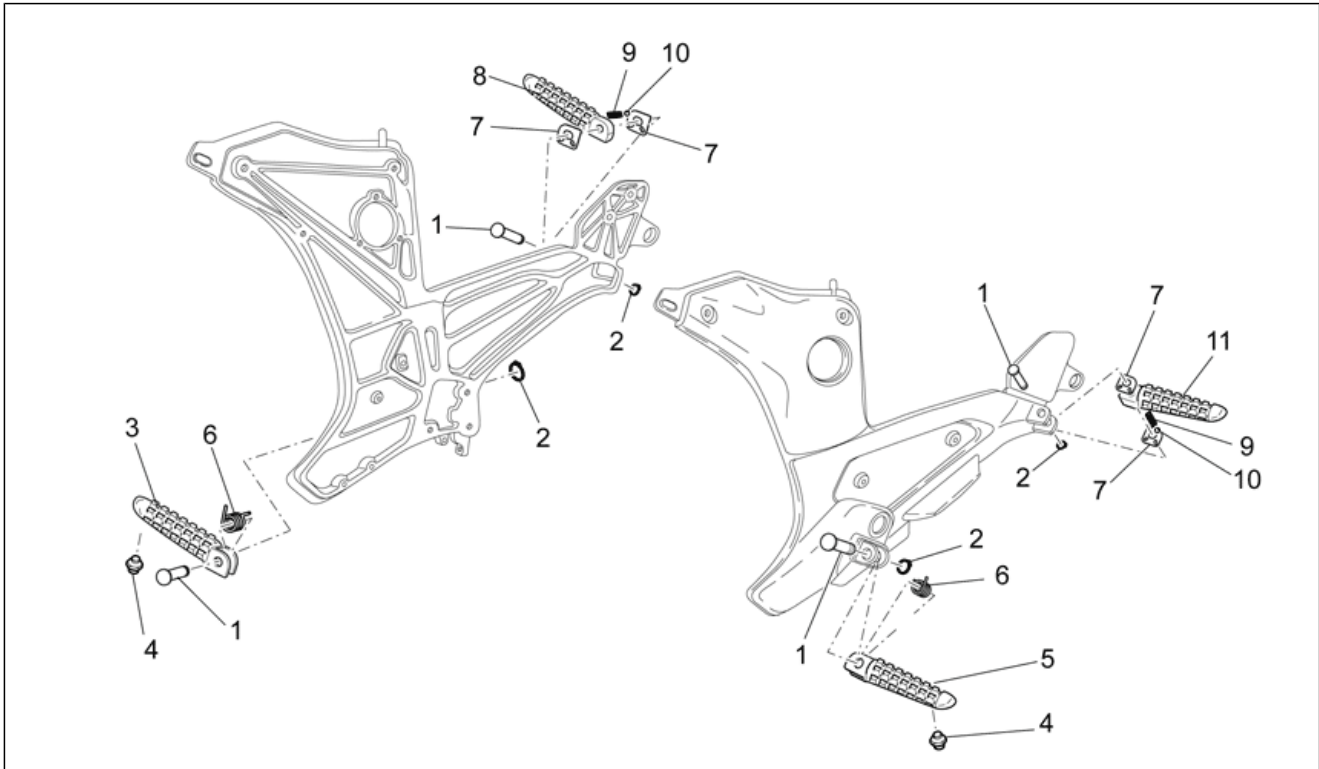


<b>Group</b>	FRAME
<b>Code</b>	33.02
<b>Description</b>	Stands
<b>Service</b>	1



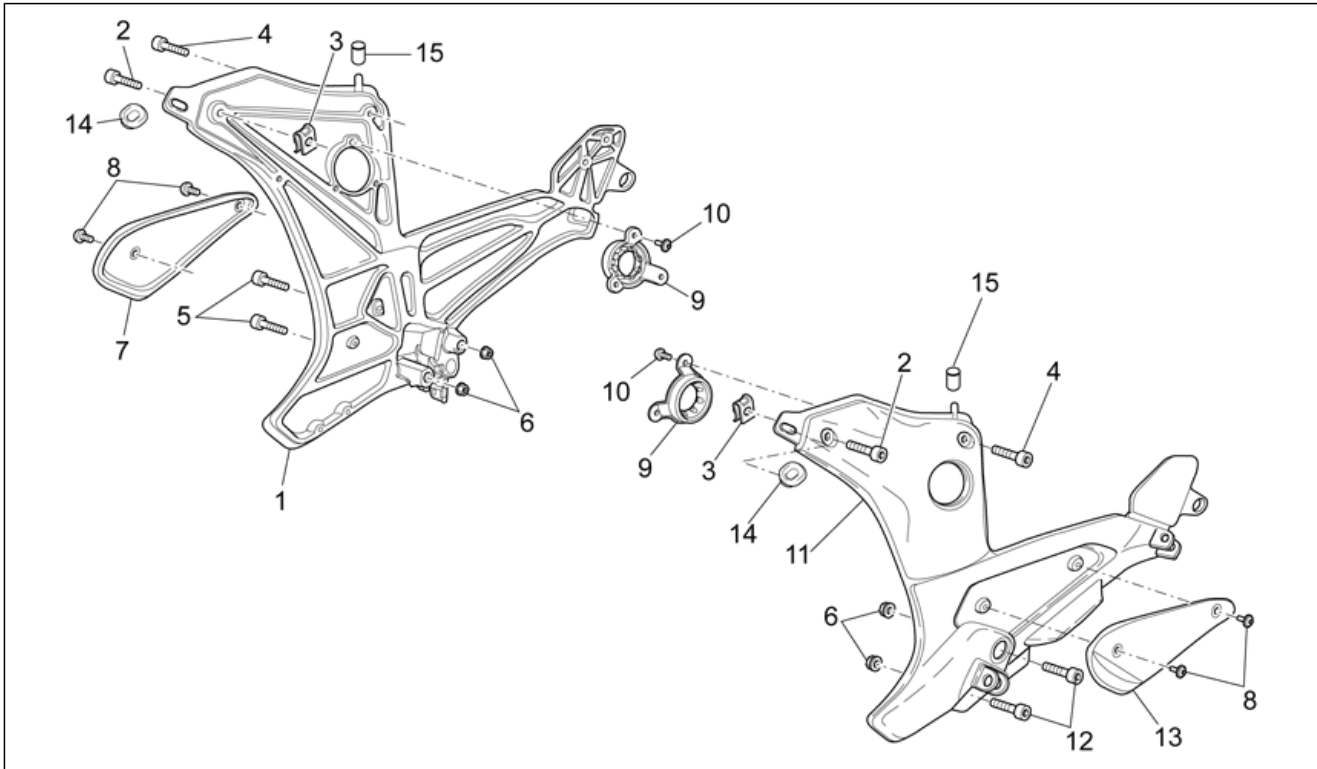
Pos.	Code	Description	Qty	Variants
1	977079	Lateral stand	1	Country:Other country[EU], Great Britain[UK]
2	977080	Stand plate	1	Country:Other country[EU], Great Britain[UK]
3	639542	Button for the side stand	1	
4	GU98612216	Hex socket screw	2	
5	GU95020105	Washer 5,3x8,9x2,4	2	
6	AP8121994	Central stand fixing screw	1	Country:Other country[EU], Great Britain[UK]
7	AP8150292	Curved spring washer *	1	
8	AP8152001	Low nut M10x1,25	1	
9	AP8102524	Stand spring protection	1	
10	AP8221204	Lateral stand spring	1	
11	AP8221211	Internal lateral stand spring	1	
12	GU98231235	Hex socket screw M12x35	2	
13	GU95008313	Washer 13x24x2,5	2	
14	GU00823923140	Thermal sheath	1	
15	GU14609650	Hose clamp 3,6x20,6	2	

<b>Group</b>	FRAME
<b>Code</b>	33.03
<b>Description</b>	Foot rests I
<b>Service</b>	1



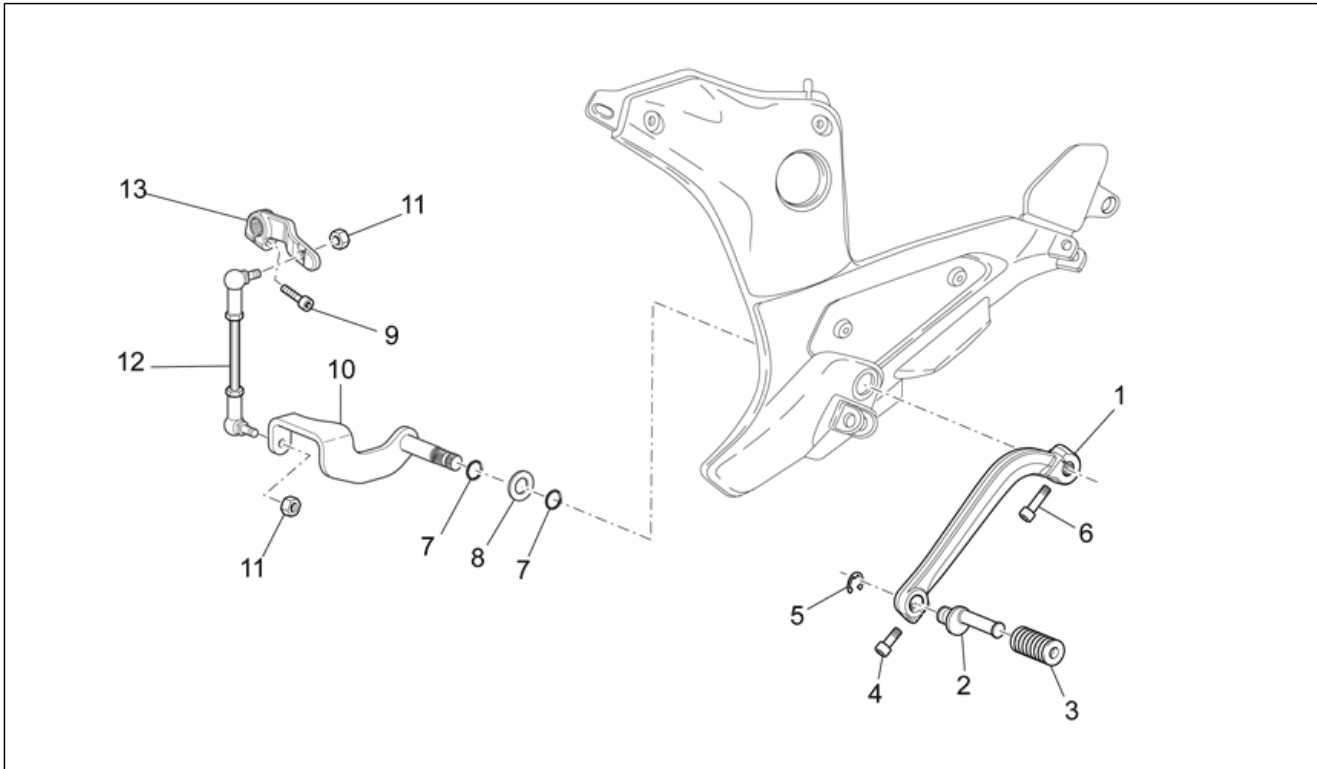
Pos.	Code	Description	Qty	Variants
1	AP8121567	Pin	4	
2	AP8152409	Stop ring	4	
3	977822	RH Foot rests Old	1	
4	GU30441005	Pin	2	
5	977823	LH Foot rests Old	1	
6	AP8221277	Footrest return spring	2	
7	AP8134451	Footrest plate	4	
8	977824	Rear footrest, RH Old	1	
9	AP8121133	Coil compress. spring	2	
10	AP8101861	Ball D6,35	2	
11	977825	Rear footrest, LH Old	1	

<b>Group</b>	FRAME
<b>Code</b>	33.04
<b>Description</b>	Foot rests II
<b>Service</b>	1



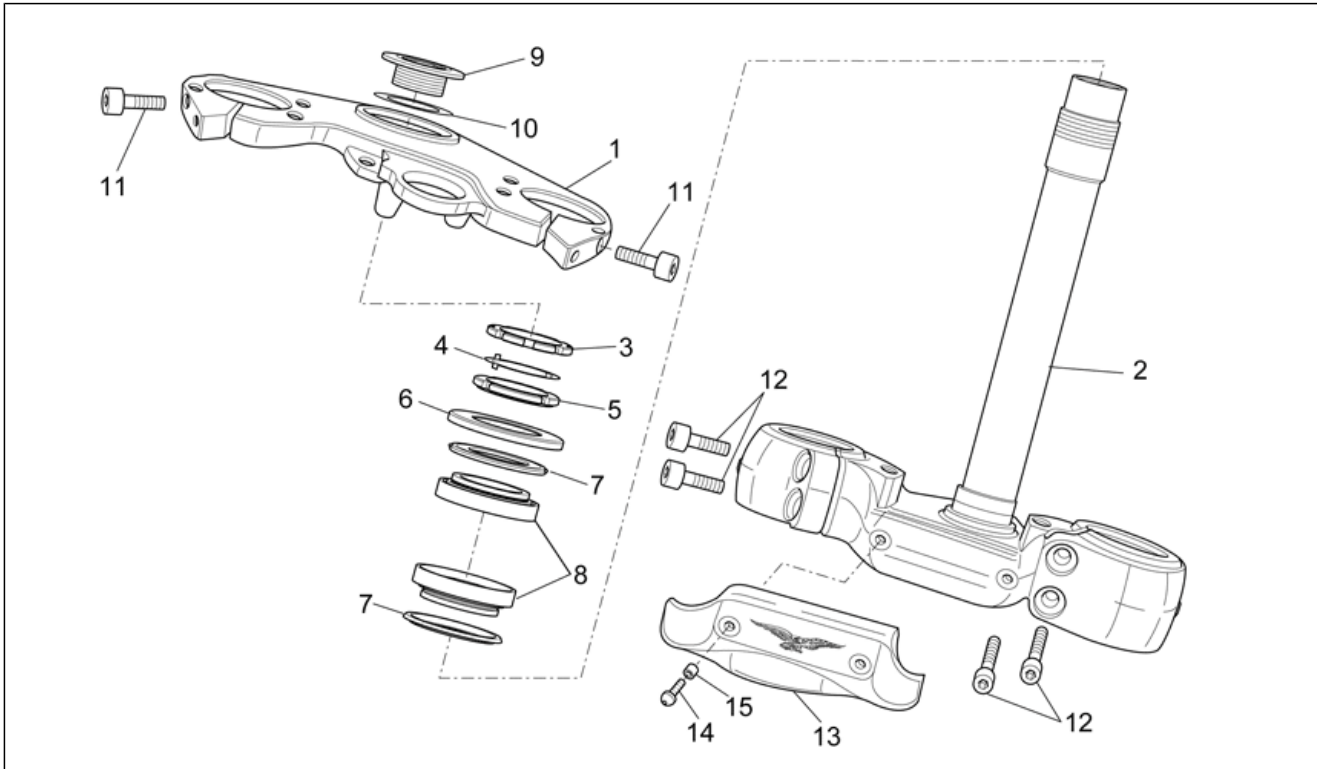
Pos.	Code	Description	Qty	Variants
1	GU05443530NA	RH plate black	1	
2	GU98692430	Hex socket screw M8x30	2	
3	GU01576530	Nut with clip M8x1,25	2	
4	GU98692425	Hex socket screw M8x25	2	
5	GU98680440	Hex socket screw M8x40	2	
6	AP8152300	Self-locking nut M8	4	
7	GU05446930	RH protection	1	
8	AP8152339	Screw w/ flange M5x9	4	
9	GU05446431	Ring	2	
10	GU98350210	Hex socket screw	6	
11	GU05446030NA	LH plate	1	
12	AP8150046	Hex socket screw M8x55	2	
13	GU05447430	LH protection	1	
14	AP8220162	Rubber spacer	4	
15	AP8220526	Rubber spacer	2	

<b>Group</b>	FRAME
<b>Code</b>	33.05
<b>Description</b>	Gear lever
<b>Service</b>	1



Pos.	Code	Description	Qty	Variants
1	GU05251130	Gear lever	1	
2	AP8121221	Brake lever pin	1	
3	AP8120912	Lever rubber	1	
4	GU98682316	Hex socket screw M6x16	1	
5	AP8150462	Circlip d9	1	
6	GU98682320	Hex socket screw M6x20	1	
7	AP8144007	O-ring 11,11x1,78	2	
8	GU95008213	Washer 12,2X20X2	1	
9	GU98682320	Hex socket screw M6x20	1	
10	GU05258230	Lever	1	
11	GU92630707	Nut	2	
12	GU05257830	Change gear tie rod compl.	1	
13	GU05256930	Lever	1	

<b>Group</b>	FRAME
<b>Code</b>	33.06
<b>Description</b>	Steering
<b>Service</b>	1

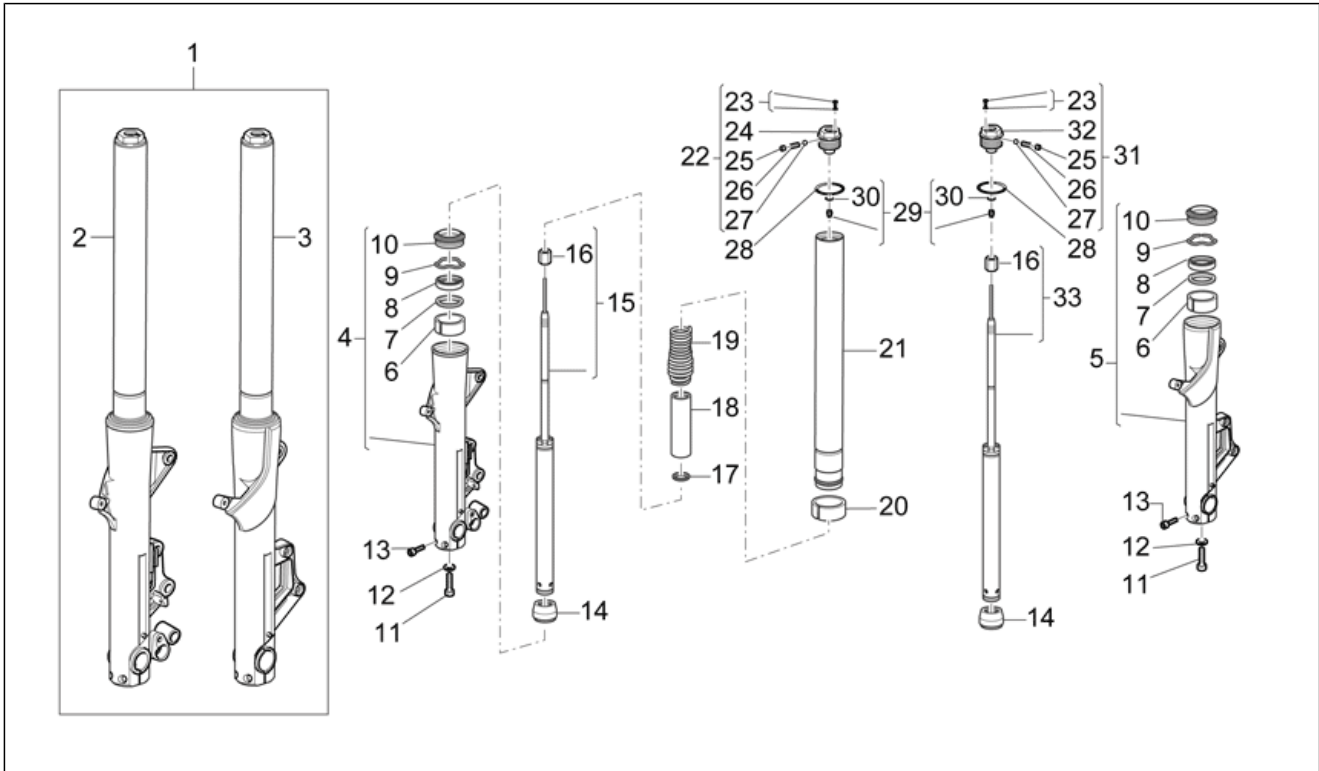


Pos.	Code	Description	Qty	Variants
1	GU05493130	Fork upper plate	1	
2	GU05494030	Stem base	1	
3	AP8123643	Return ring nut	1	
4	AP8121207	Steering security plate	1	
5	AP8123642	Ring nut	1	
6	AP8123644	Dust cover ring	1	
7	AP8123641	Dust cover ring	2	
8	AP8110077	Axial ball bearing	2	
9	AP8121205	Upper plate fixing bush	1	
10	AP8152384	Stem plug washer	1	
11	GU98682430	Hex socket screw M8x30	2	
12	GU98682425	Hex socket screw M8x25	4	
13	GU05658431	Brake hose fixing plate	1	
14	AP8152298	Screw w/ flange M5x16	2	
15	AP8221036	Bushing 5,3x8x7,1	2	



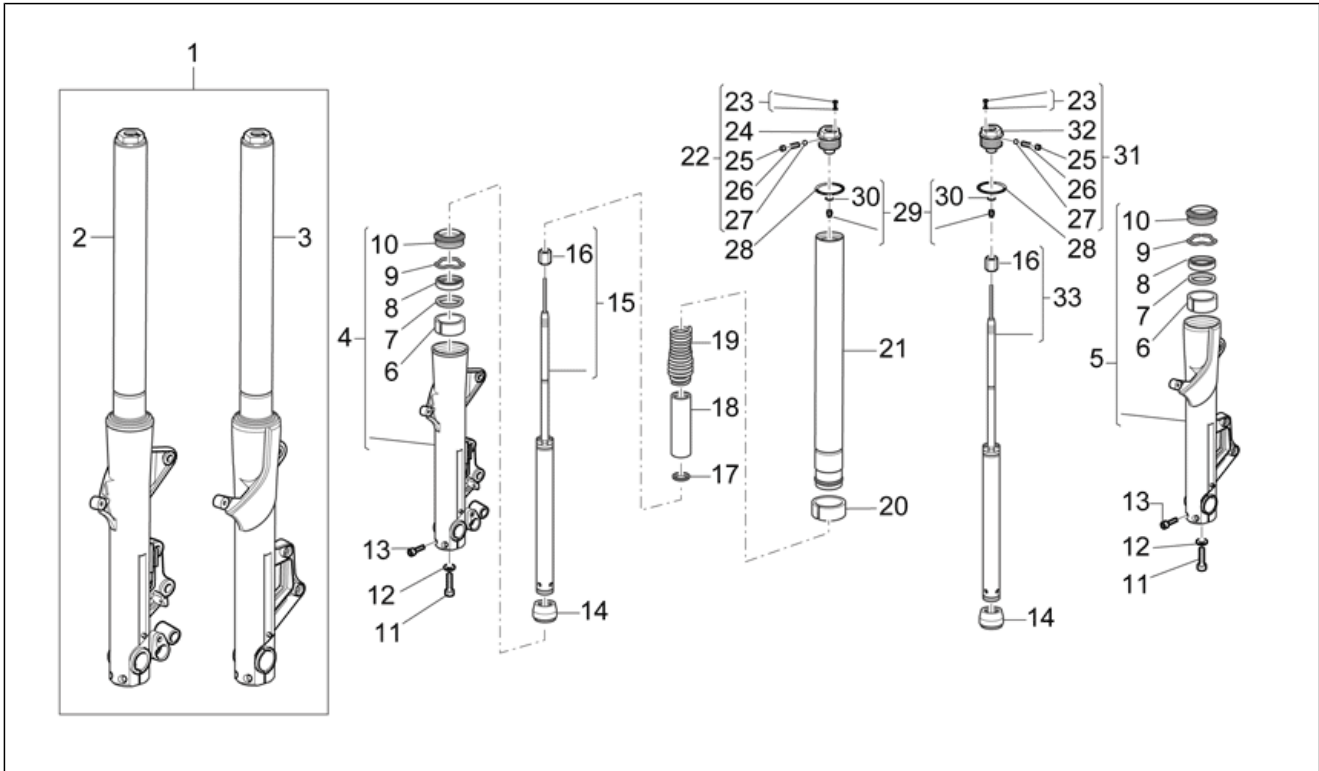


<b>Group</b>	FRAME
<b>Code</b>	33.07
<b>Description</b>	Front fork
<b>Service</b>	1



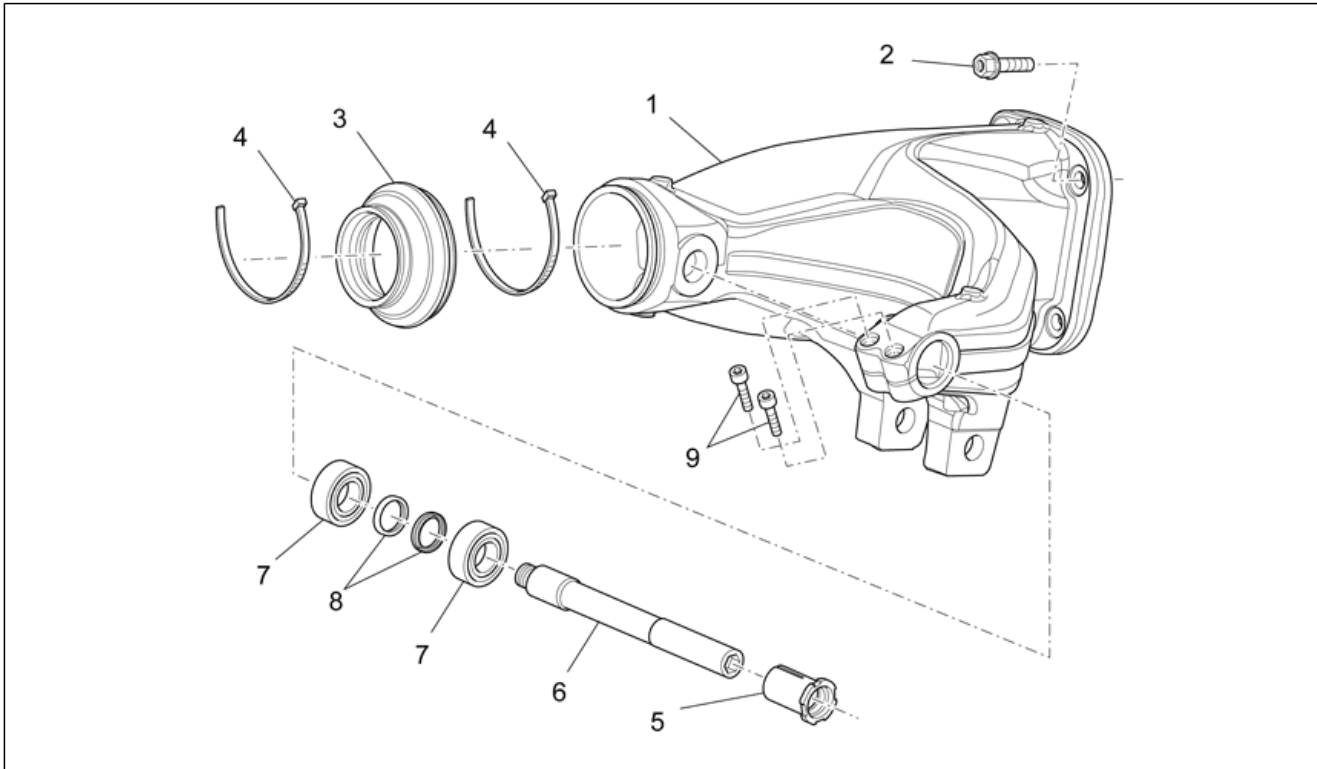
Pos.	Code	Description	Qty	Variants
1	978282	Front fork "Marzocchi"	1	
2	981097	RH hub cpl. "Marzocchi"	1	
3	981096	LH hub cpl. "Marzocchi"	1	
4	981094	RH sleeve D. 45	1	
5	981095	LH sleeve D. 45	1	
6	GU03530528	Upper bush	2	
7	GU03530527	Cup	2	
8	GU03530526	Gasket ring	2	
9	GU03530525	Stop ring	2	
10	GU03530524	Dust cover	2	
11	GU98682535	Hex socket screw M10x35	2	
12	GU05530535	Washer 14x10,5x1,5	2	
13	GU98680340	Hex socket screw M6x40	4	
14	978176	Pad	2	
15	978175	RH shock absorber "REBOUND"	1	
16	GU03530513	Return nut	2	
17	978178	Washer	2	
18	978177	Preload tube	2	
19	GU05526630	Spring	2	
20	GU03530510	Lower bush	2	
21	981098	Sleeve D. 45	2	
22	978180	Plug cpl. "REBOUND"	2	
23	GU03530506	Screw with OR	2	
24	978184	Sticker "REBOUND"	2	
25	978183	Dowel	2	
26	978182	Spring	2	
27	978181	Ball	2	
28	GU30530561	O-ring	2	

<b>Group</b>	FRAME
<b>Code</b>	33.07
<b>Description</b>	Front fork
<b>Service</b>	1



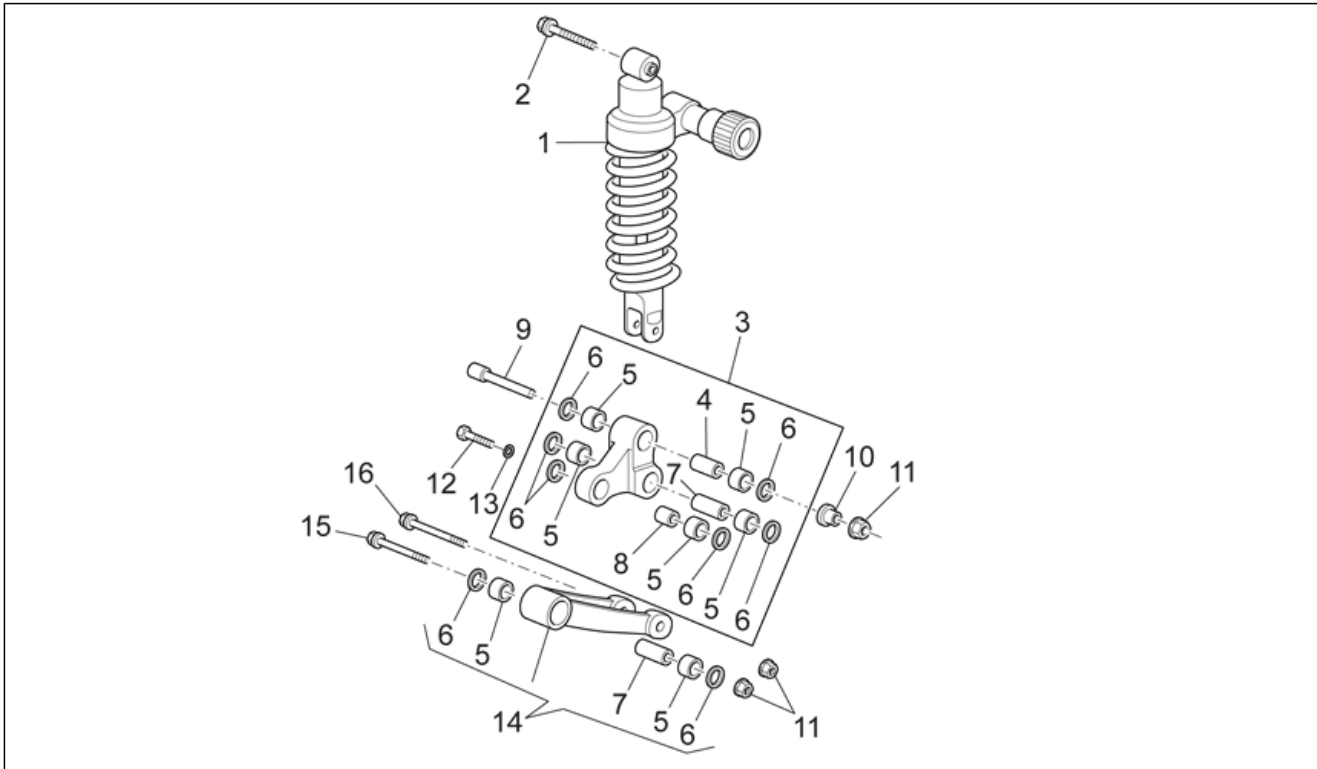
Pos.	Code	Description	Qty	Variants
29	GU30530577	Adjuster screw	2	
30	GU01530593	O-ring	2	
31	978187	Plug cpl. "COMPRESSION"	2	
32	978185	Sticker "COMPRESSION"	2	
33	978186	LH shock absorber "COMPRESSION"	1	

<b>Group</b>	FRAME
<b>Code</b>	33.08
<b>Description</b>	Swing arm
<b>Service</b>	1



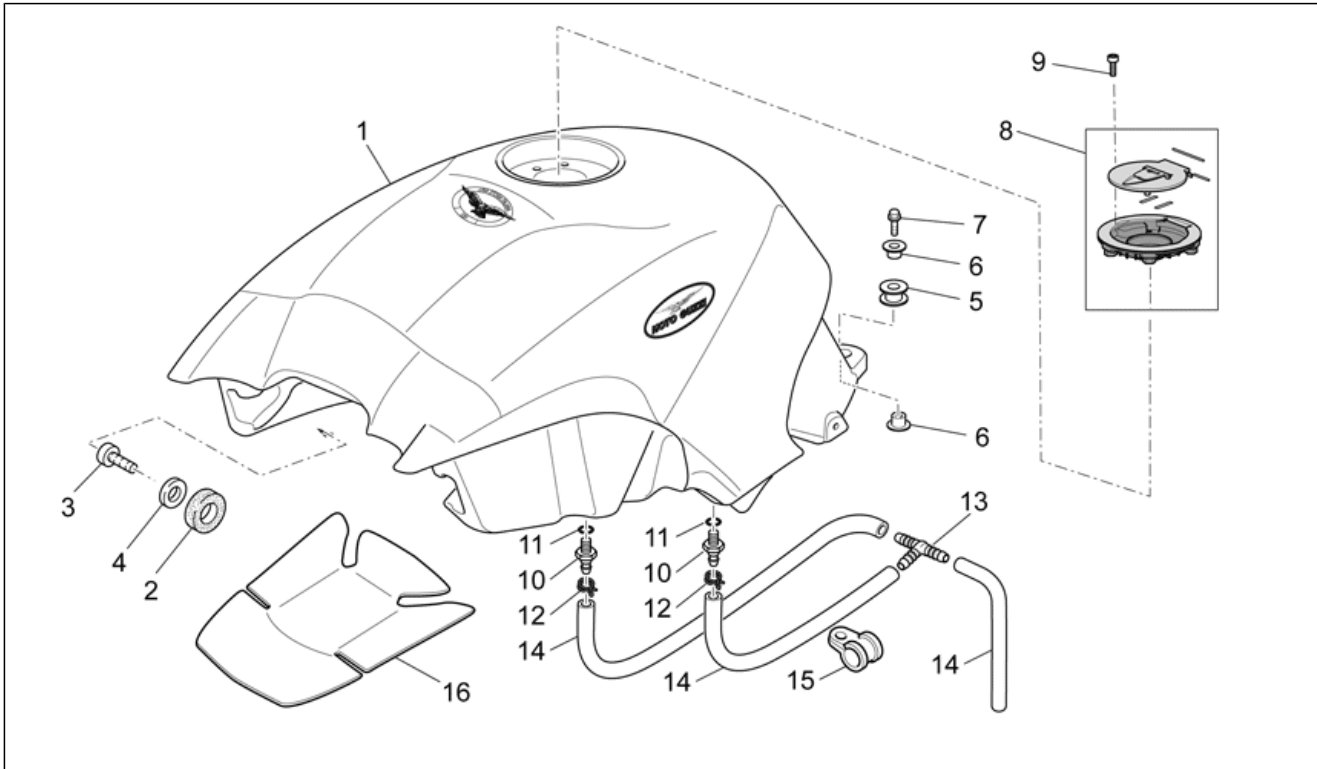
Pos.	Code	Description	Qty	Variants
1	978350	Swing arm, black	1	
2	AP8152318	Screw w/ flange M10x35	4	
3	GU05548030	Rubber bellows	1	
4	GU93304390	Hose clamp 3,6x375	2	
5	GU05547130	Bush	1	
6	GU05547030	Pin	1	
7	GU92249224	Roller bearing 25x47x17	2	
8	GU05547930	Gasket ring	2	
9	GU98682325	Hex socket screw M6x25	2	

<b>Group</b>	FRAME
<b>Code</b>	33.12
<b>Description</b>	Connecting rod - rear shock abs.
<b>Service</b>	1



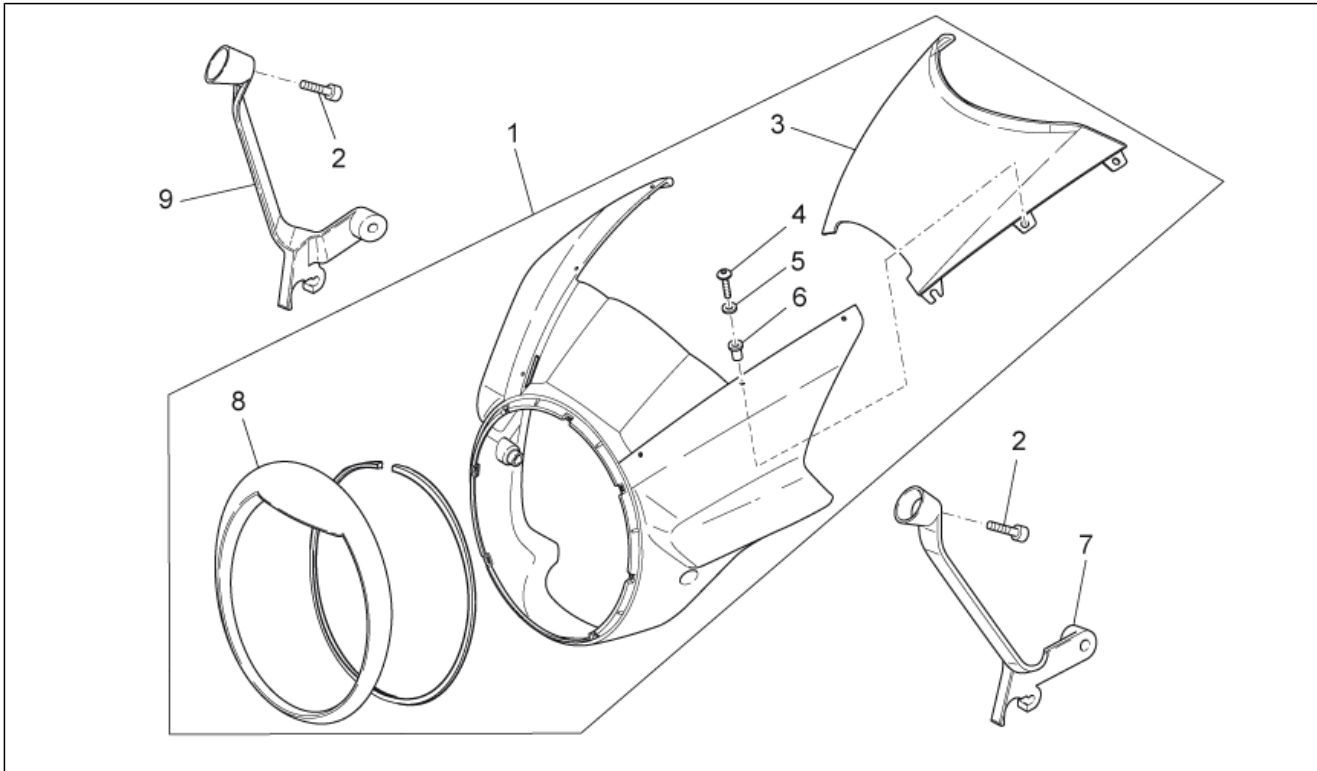
Pos.	Code	Description	Qty	Variants
1	GU05550230	Shock absorber	1	
2	AP8152398	Screw w/ flange M10x80	1	
3	GU05560330	Double conrod	1	
4	AP8135924	Double connecting rod pin L40	1	
5	AP8110066	Cage à rouleaux	7	
6	AP8110068	Oil seal D18x24x3	8	
7	GU05562030	Double connecting rod pin L47	2	
8	AP8135608	Double connecting rod pin L25	1	
9	AP8152397	Hex socket screw M10x82	1	
10	AP8121155	T bush *	1	
11	AP8152301	Self-locking nut	3	
12	AP8152147	Hex screw M10x47	1	
13	AP8150292	Curved spring washer *	1	
14	GU05562430	Single conrod comp.	1	
15	AP8152482	Screw w/ flange M10x85	1	
16	AP8152396	Screw w/ flange M10x95	1	

<b>Group</b>	FRAME
<b>Code</b>	33.13
<b>Description</b>	Fuel tank
<b>Service</b>	1



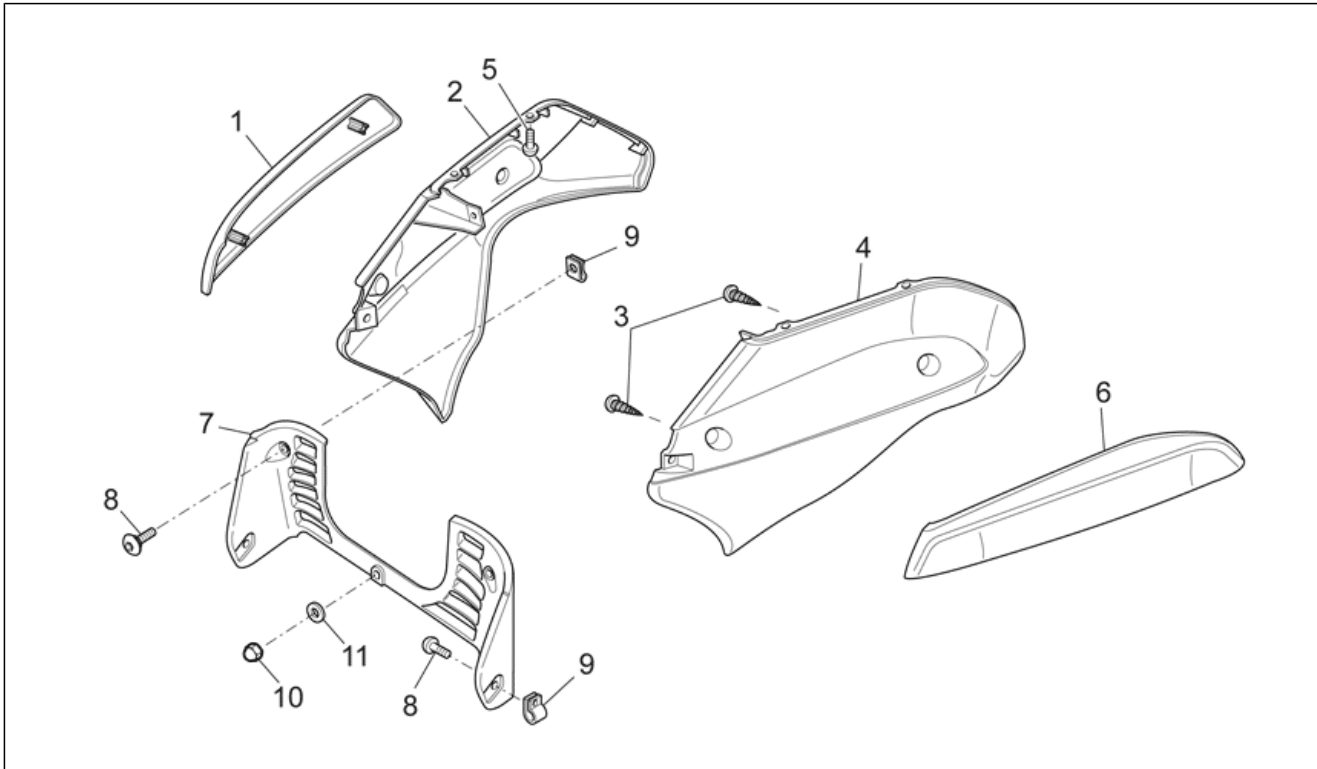
Pos.	Code	Description	Qty	Variants
1	GU05100230	Fuel tank blank	1	Country:Other country[EU], Great Britain[UK]
1	GU0510023000XE4	Fuel tank, silver	1	Vehicle colour:Silver crowd 2008[s/cr] Country:Other country[EU], Great Britain[UK]
1	GU0510023000Z1	Fuel tank, red/white	1	Vehicle colour:Rosso/Bianco 2011[r/wh] Country:Other country[EU]
1	GU05100232	Fuel tank, black	1	Vehicle colour:Guzzi Black 2008[g/bl] Country:Other country[EU], Great Britain[UK]
2	AP8201124	Rubber spacer *	2	
3	GU98682414	Hex socket screw	2	
4	GU95008208	Washer 8,4X15X1,5	2	
5	GU02107100	Rubber spacer	1	
6	AP8121804	Spacer *	2	
7	AP8152291	Screw w/ flange	1	
8	GU05103930	Tank cap	1	
9	B043864	Hex socket screw M5x14	4	
10	GU30103730	Joint	2	
11	AP8120965	O-ring 2018	2	
12	AP8101595	Hose clamp D10,1	2	
13	AP8104666	3-way union	1	
14	AP8120952	Fuel pipe 5,5x10	3	
15	AP8104451	Cable-guide	2	
16	GU05102930	Fuel tank central insulation	1	

<b>Group</b>	FRAME
<b>Code</b>	33.14
<b>Description</b>	Front body I
<b>Service</b>	1



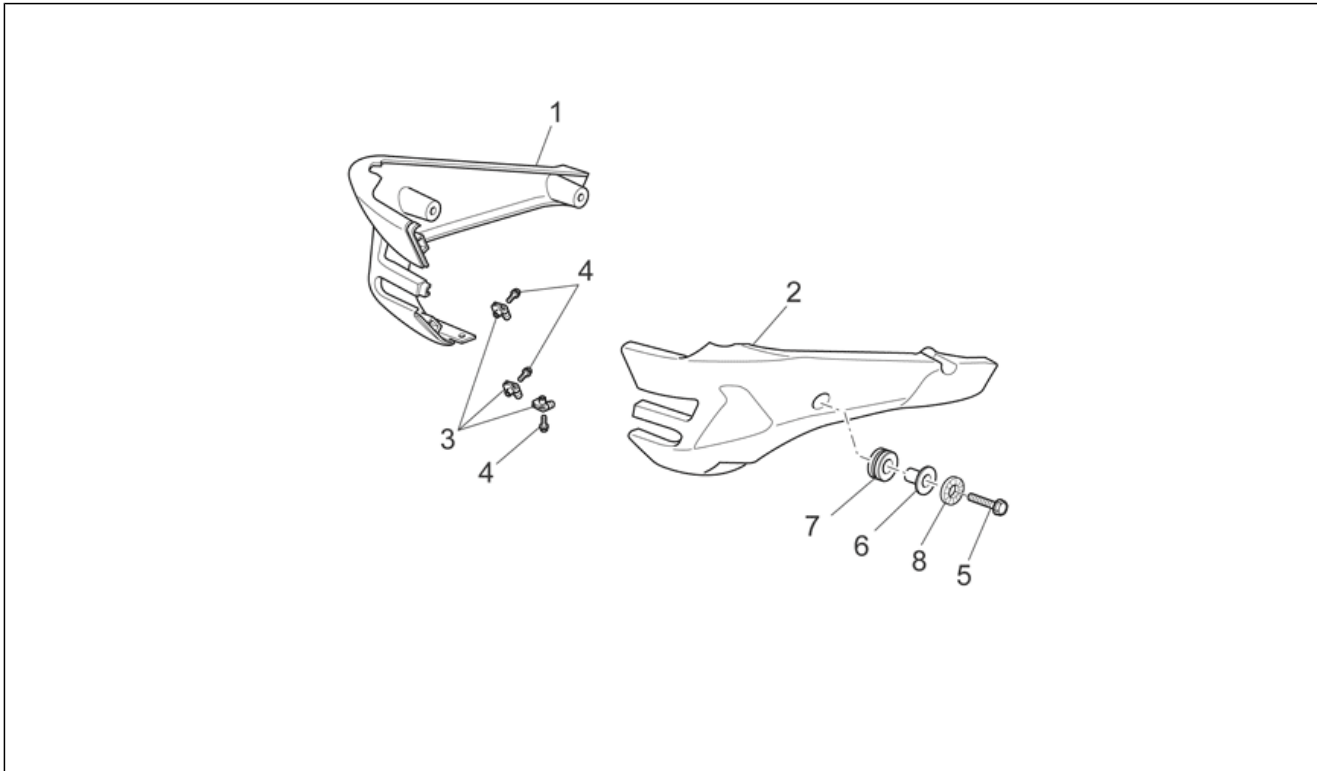
Pos.	Code	Description	Qty	Variants
1	88697700Y01	Windshield assy.red	1	Vehicle colour:Rosso/Bianco 2011[r/wh]
1	97781800XE4	Windshield assy. Silver	1	Vehicle colour:Silver crowd 2008[s/cr]
1	97781800Y02A	Windshield assy.black	1	Vehicle colour:Guzzi Black 2008[g/bl]
2	GU98692216	Hex socket screw	2	
3	977749	Fr.fairing lockup blank	1	
3	97774900BM	Fr.fairing lockup white	1	Vehicle colour:Rosso/Bianco 2011[r/wh]
3	9778190087	Fr.fairing lockup white	1	Vehicle colour:Guzzi Black 2008[g/bl], Silver crowd 2008[s/cr]
4	GU98370412	Hex socket screw M4x12	6	
5	AP8144565	Nylon washer	6	
6	GU93231604	Antivibration bush M4x7,9x12,7	6	
7	977751	LH windshield support	1	
8	977750NA	Light frame, black	1	
9	977752	RH windshield support	1	

<b>Group</b>	FRAME
<b>Code</b>	33.15
<b>Description</b>	Front body II
<b>Service</b>	1



Pos.	Code	Description	Qty	Variants
1	GU05576631	RH protection	1	
2	GU05576230	RH lateral fairing, blank	1	
2	GU05576230NA	RH lat.fairing, black	1	
3	AP8150413	Self-tap screw 3,9x14	4	
4	GU05576330	LH lateral fairing, blank	1	
4	GU05576330NA	LH lat.fairing, black	1	
5	AP8152339	Screw w/ flange M5x9	6	
6	GU05576731	LH protection	1	
7	GU05476430	Water cooler grille	1	
8	AP8152302	Screw w/ flange M5x12	4	
9	AP8102375	Clip m5	4	
10	GU92787205	Cap nut	1	
11	GU95005304	Washer 5,2x18x1,5	1	

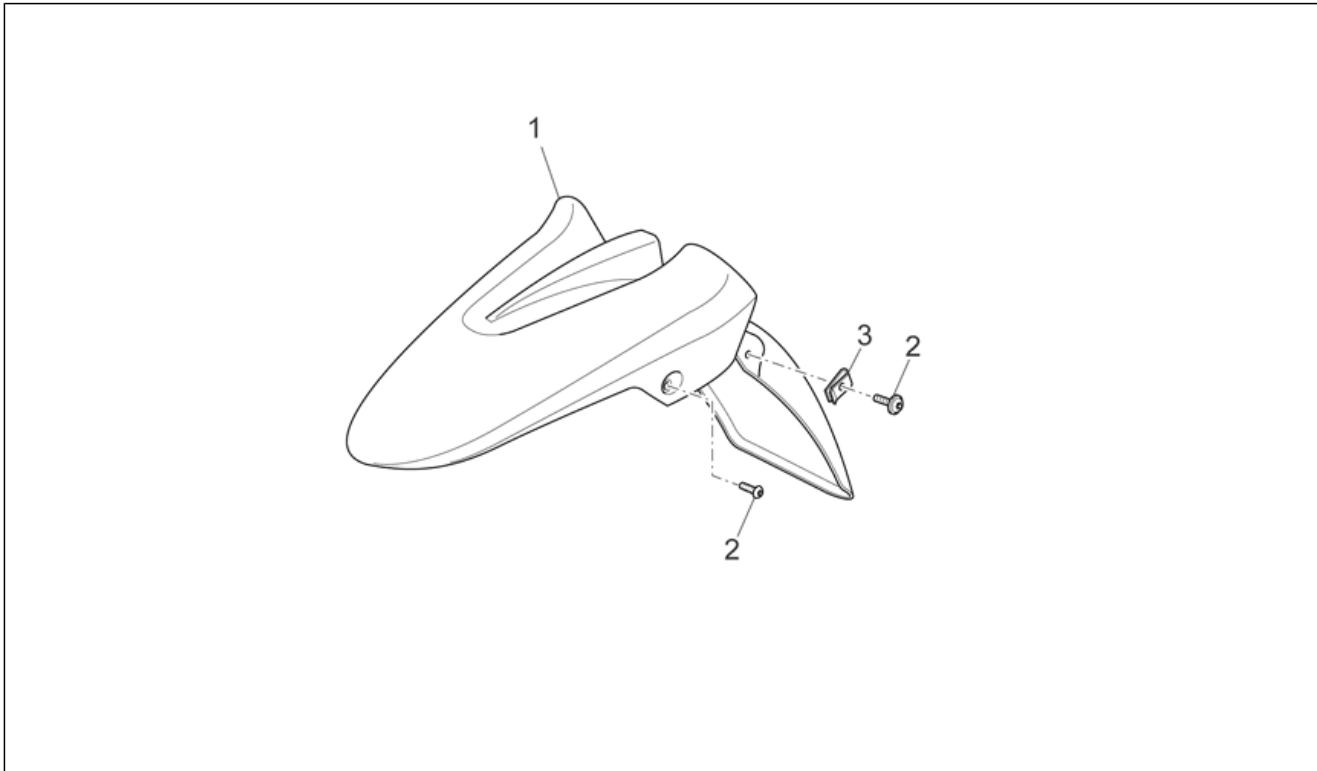
<b>Group</b>	FRAME
<b>Code</b>	33.16
<b>Description</b>	Pillar
<b>Service</b>	1



Pos.	Code	Description	Qty	Variants
1	GU05570530	RH Pillar	1	
2	GU05570630	LH Pillar	1	
3	AP8102375	Clip m5	3	
4	AP8152339	Screw w/ flange M5x9	3	
5	AP8152287	Screw w/ flange M8x25	4	
6	AP8221128	T bush 8,5x10,7x12	4	
7	AP8120594	Rubber spacer	4	
8	GU95008308	Washer	4	

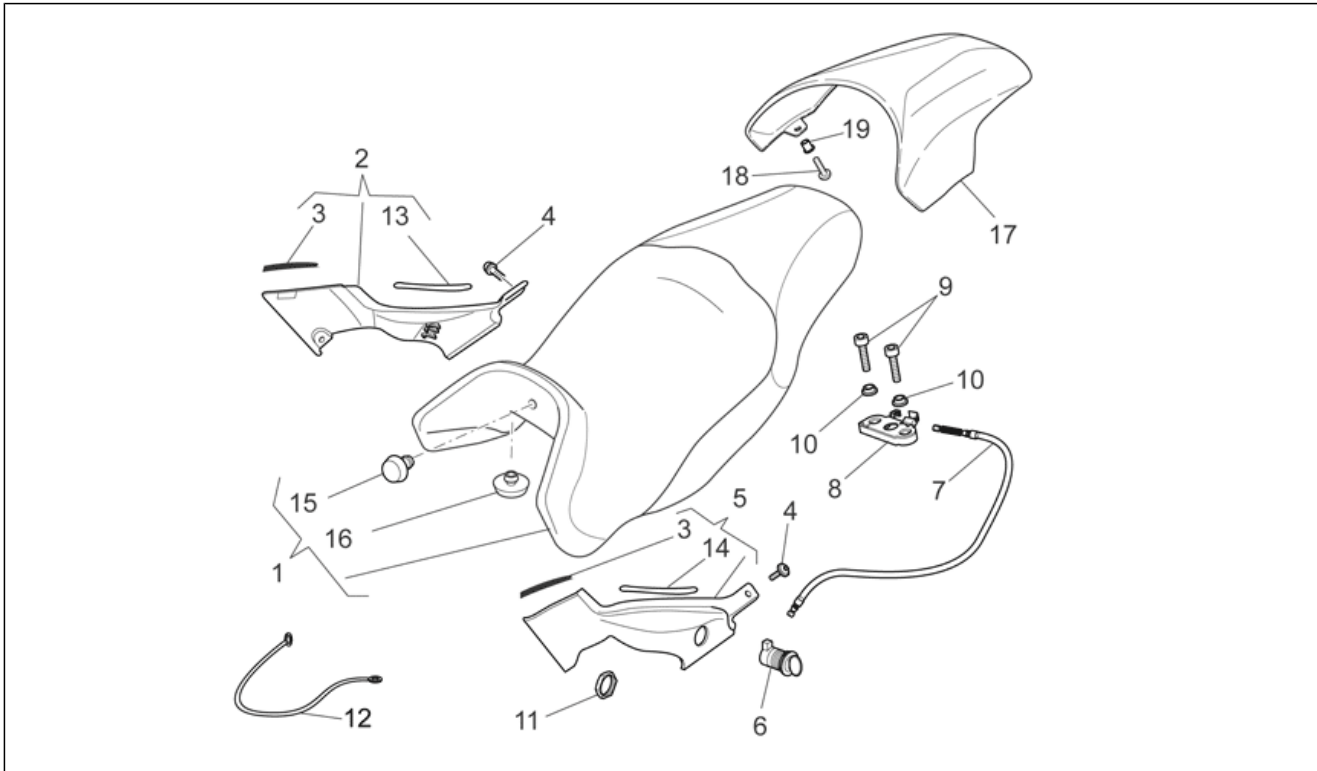


<b>Group</b>	FRAME
<b>Code</b>	33.17
<b>Description</b>	Front mudguard
<b>Service</b>	1



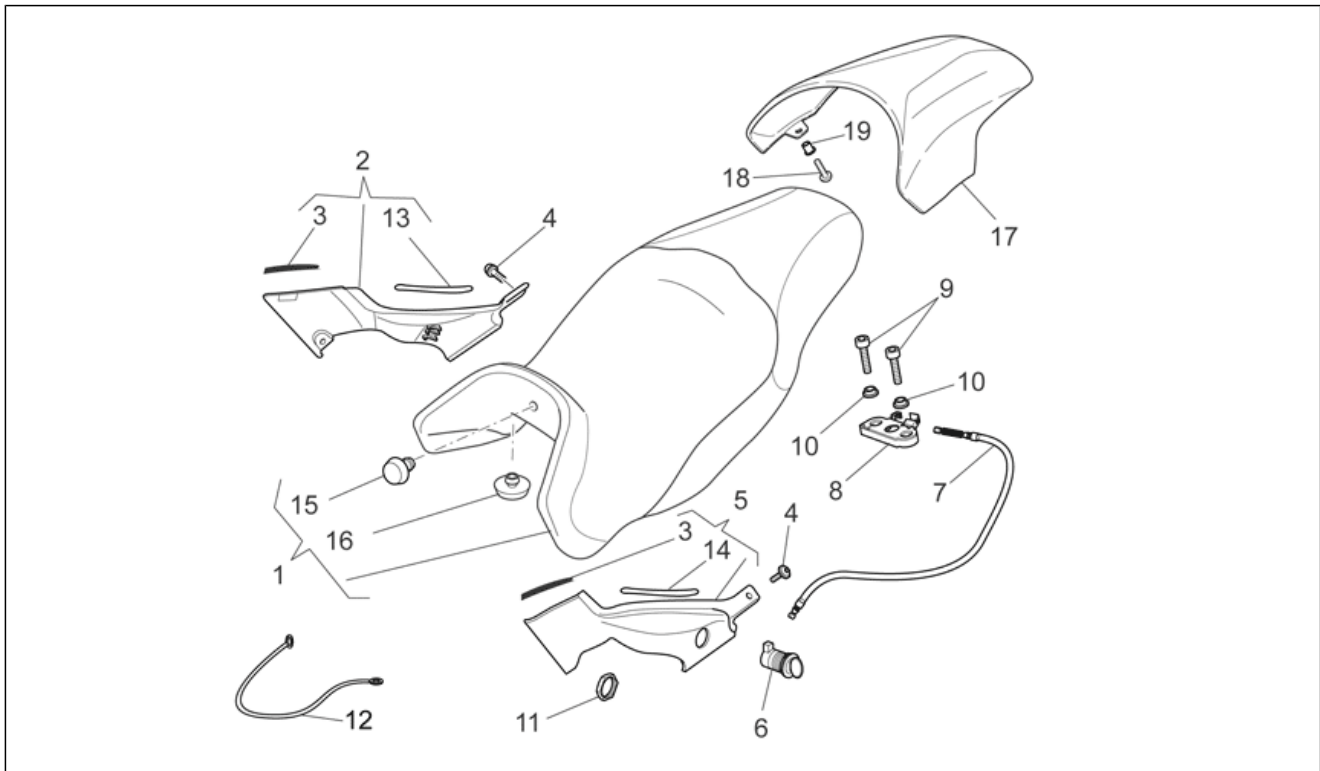
Pos.	Code	Description	Qty	Variants
1	GU05434330	Front mudguard blank	1	
1	GU054343300XE4	Front mudguard, silver	1	Vehicle colour:Silver crowd 2008[s/cr]
1	GU05434331	Front mudguard, red	1	Vehicle colour:Rosso/Bianco 2011[r/wh]
1	GU05434332	Front mudguard, black	1	Vehicle colour:Guzzi Black 2008[g/bl]
2	AP8152302	Screw w/ flange M5x12	4	
3	AP8102375	Clip m5	2	

<b>Group</b>	FRAME
<b>Code</b>	33.18
<b>Description</b>	Saddle-Central bod
<b>Service</b>	1



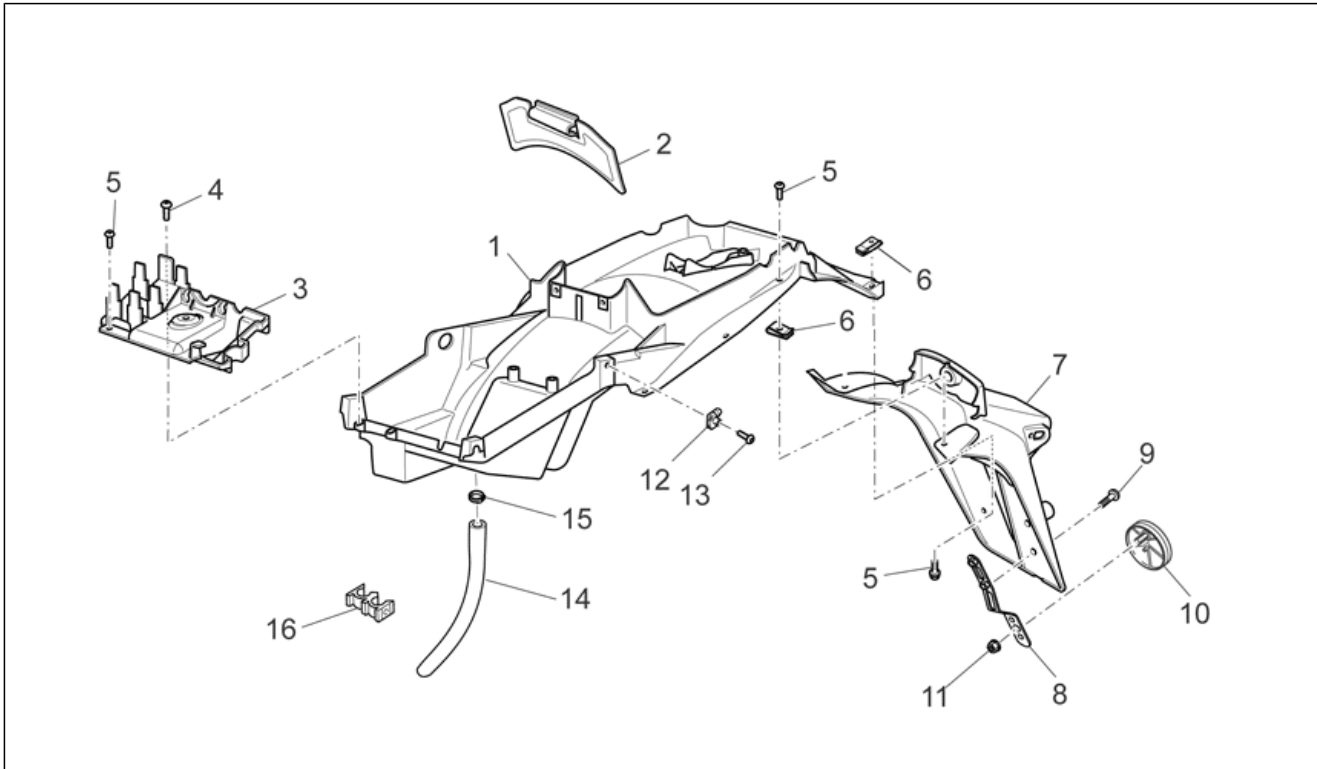
Pos.	Code	Description	Qty	Variants
1	886986	Two-seat saddle	1	Vehicle colour:Rosso/Bianco 2011[r/wh]
1	977831	Two-seat saddle	1	Vehicle colour:Guzzi Black 2008[g/bl], Silver crowd 2008[s/cr]
2	GU05570230	RH body panel blank	1	
2	GU0557023000XE4	RH side panel, silver	1	Vehicle colour:Silver crowd 2008[s/cr]
2	GU05570230BM	RH side panel, white	1	Vehicle colour:Rosso/Bianco 2011[r/wh]
2	GU05570232	RH side panel, black	1	Vehicle colour:Guzzi Black 2008[g/bl]
3	AP8144538	Gasket	2	
4	AP8152339	Screw w/ flange M5x9	2	
5	883496	LH body panel blank	1	
5	88349600BM	LH side panel, white	1	Vehicle colour:Rosso/Bianco 2011[r/wh]
5	88349600XE4	LH side panel, silver	1	Vehicle colour:Silver crowd 2008[s/cr]
5	88349600Y02	LH side panel, black	1	Vehicle colour:Guzzi Black 2008[g/bl]
6	GU05466830	Saddle lock	1	
7	AP8102914	Saddle release cable	1	
8	AP8102913	Pass.saddle connecting plate	1	
9	GU98370625	Hex socket screw	2	
10	AP8152299	Self-locking nut M6	2	
11	AP8102523	Lock nut M22x1,5	1	
12	AP8102502	Helmet lock cable	1	
13	GU05573830	RH side fairing decal	1	
14	GU05573831	LH side fairing decal	1	
15	GU32461810	Rubber spacer	5	
16	GU32461610	Rubber spacer	10	
17	88698100Y02	Saddle cover, black	1	Vehicle colour:Rosso/Bianco 2011[r/wh]
17	977754	Cover pillion rider seat blank	1	
17	97775400XE4	Saddle cover silver	1	Vehicle colour:Silver crowd 2008[s/cr]
17	97775400Y02A	Saddle cover, black	1	Vehicle colour:Guzzi Black 2008[g/bl]

<b>Group</b>	FRAME
<b>Code</b>	33.18
<b>Description</b>	Saddle-Central bod
<b>Service</b>	1



Pos.	Code	Description	Qty	Variants
18	GU98370616	Hex socket screw M6x16 inox	2	
19	AP8221023	T bush	2	

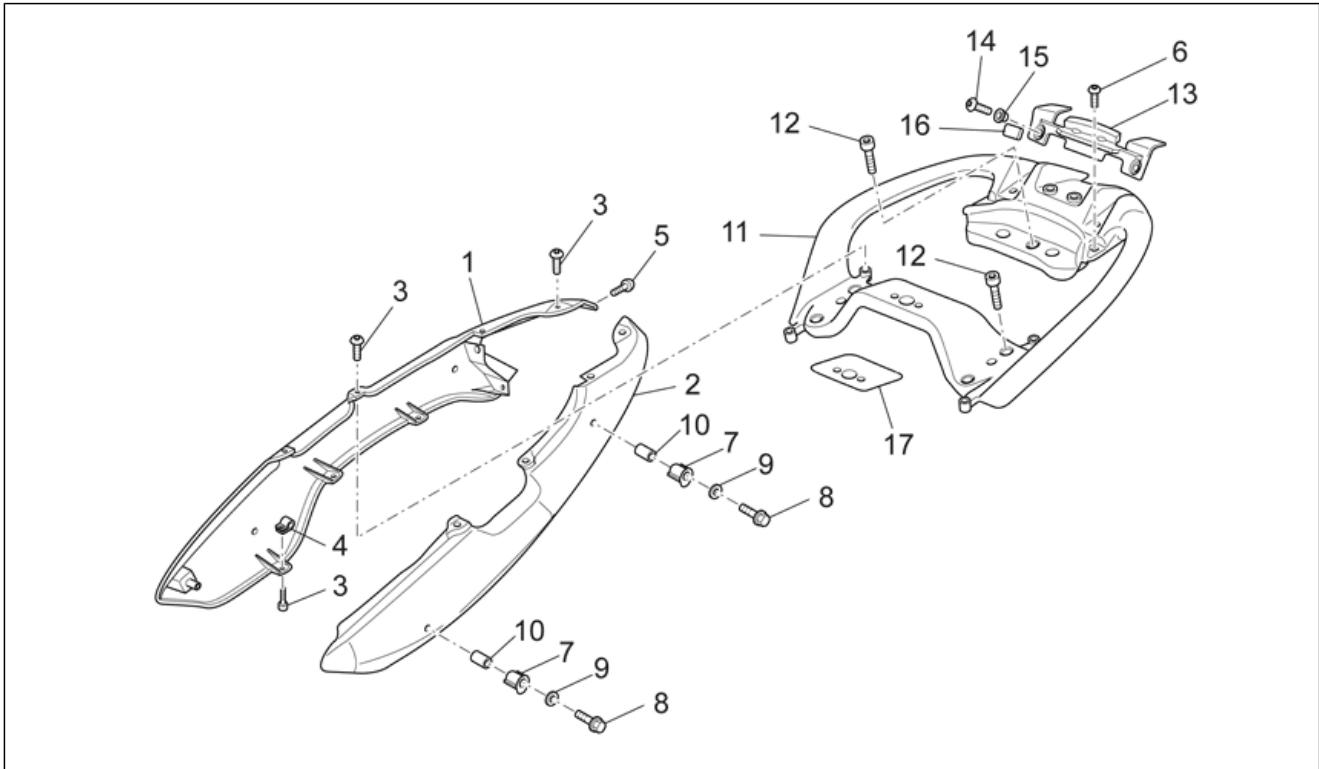
<b>Group</b>	FRAME
<b>Code</b>	33.19
<b>Description</b>	Rear body - Mudguard
<b>Service</b>	1



Pos.	Code	Description	Qty	Variants
1	883828	Splash guard	1	<b>Technical Specifications:</b> Vehicle with YT20-BS battery[B]
1	GU05438730	Splash guard	1	<b>Technical Specifications:</b> Vehicle with YTX20CH-BS battery[A]
2	GU05479630	Door	1	
3	GU05780530	Maintenance	1	
4	AP8152329	Phillips screw, SWP M5x20	3	
5	AP8152339	Screw w/ flange M5x9	7	
6	AP8102375	Clip m5	4	
7	GU05438630	Number plate holder	1	
8	AP8134448	Reflector support	1	
9	AP8152267	Hex socket screw M5x12	2	
10	AP8224164	Rear reflector, red	1	
11	AP8152306	Self-locking nut m5	1	
12	GU28576591	Clip M6	6	
13	GU98370614	Hex socket screw M6x14	6	
14	AP8120952	Fuel pipe 5,5x10	1	
15	AP8101595	Hose clamp D10,1	1	
16	AP8201808	Cable-guide D8	2	

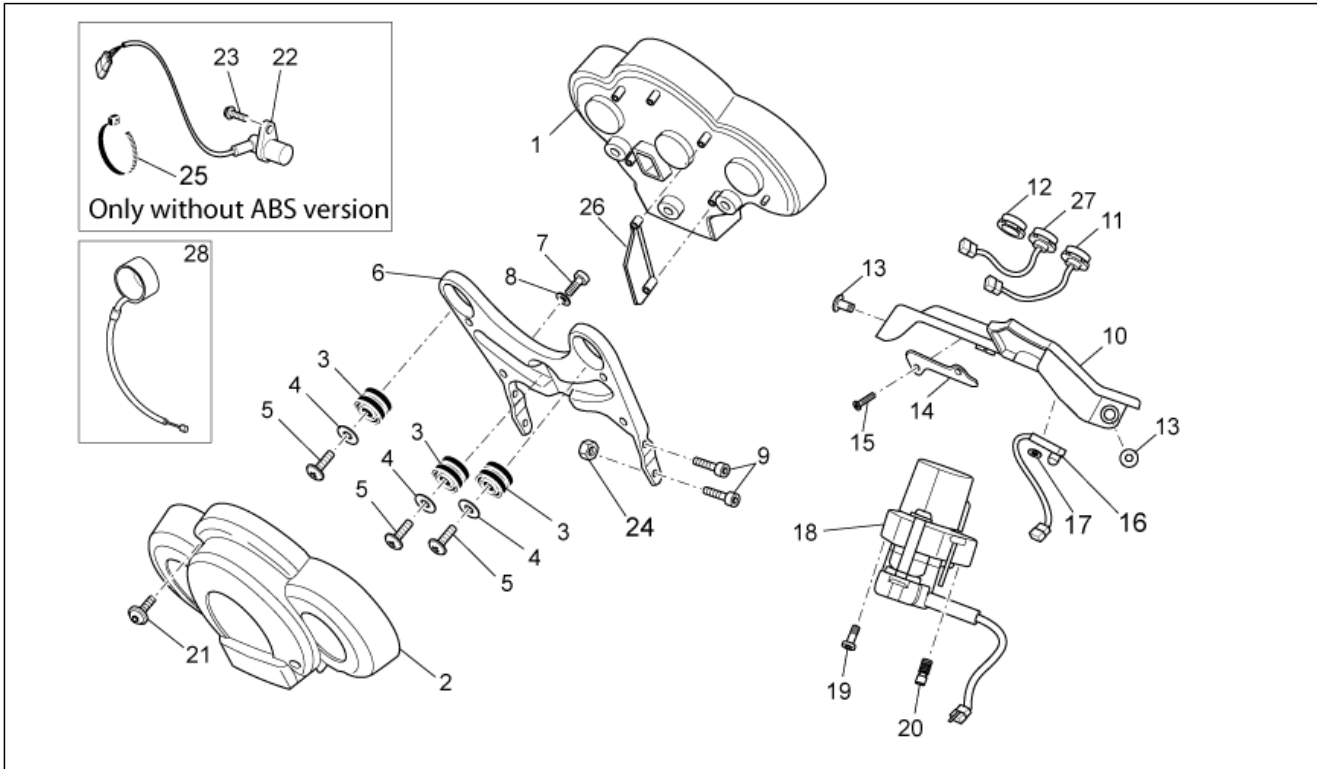


<b>Group</b>	FRAME
<b>Code</b>	33.20
<b>Description</b>	Rear body - Rear fairing
<b>Service</b>	1



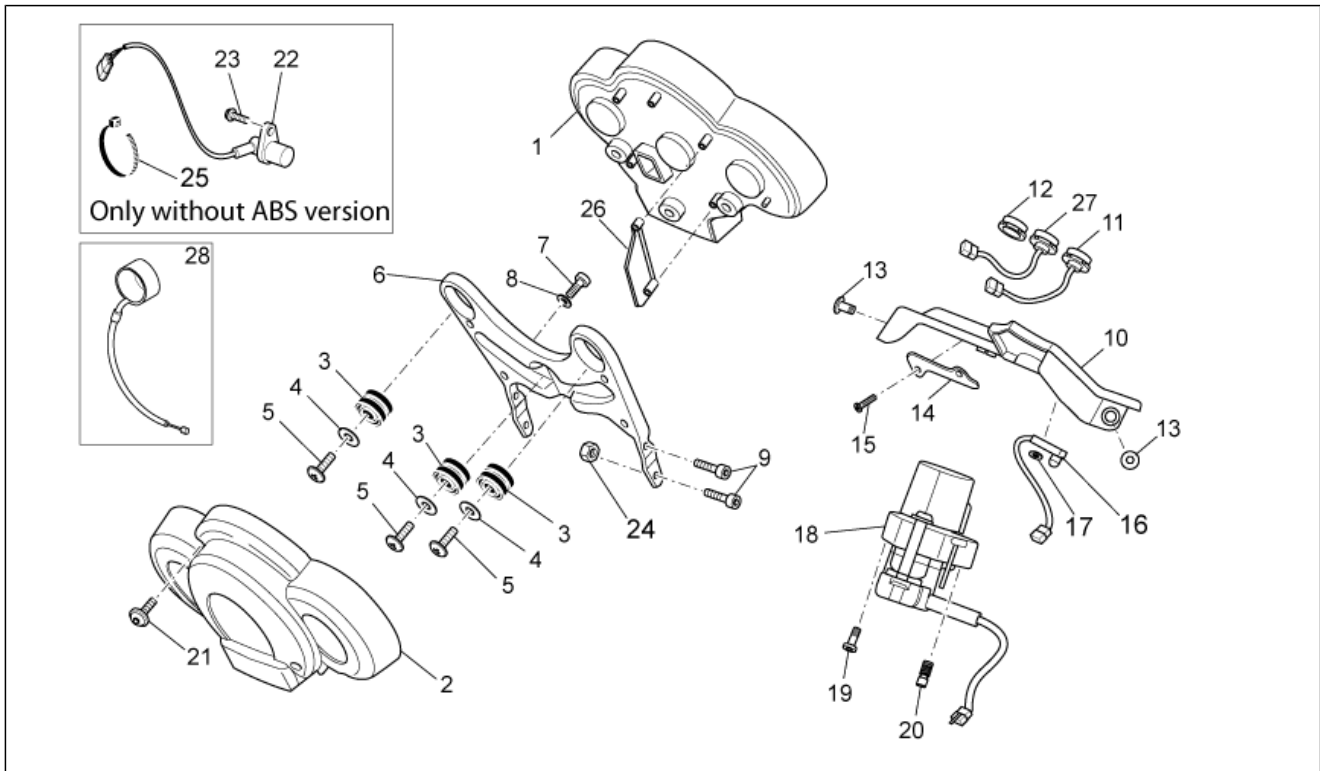
Pos.	Code	Description	Qty	Variants
1	88697900BM	RH rear fairing, white	1	Vehicle colour:Rosso/Bianco 2011[r/wh]
1	GU05573230	RH rear fairing, blank	1	
1	GU0557323000XE4	RH rear fairing, silver	1	Vehicle colour:Silver crowd 2008[s/cr]
1	GU0557323000Y02A	RH rear fairing, black	1	Vehicle colour:Guzzi Black 2008[g/bl]
2	88698000BM	LH rear fairing, white	1	Vehicle colour:Rosso/Bianco 2011[r/wh]
2	GU05573330	LH rear fairing, blank	1	
2	GU0557333000XE4	LH rear fairing, silver	1	Vehicle colour:Silver crowd 2008[s/cr]
2	GU0557333000Y02A	LH rear fairing, black	1	Vehicle colour:Guzzi Black 2008[g/bl]
3	AP8152339	Screw w/ flange M5x9	10	
4	AP8102375	Clip m5	10	
5	GU98682215	Hex socket screw	2	
6	AP8152302	Screw w/ flange M5x12	2	
7	GU05467330	Hook	4	
8	AP8152292	Screw w/ flange	4	
9	GU03270300	Washer 8,4x15	4	
10	GU91120924	Spacer 9x18x24	4	
11	GU05464330NA	Handle. Black	1	
12	GU98682425	Hex socket screw M8x25	5	
13	GU05464830	Cover	1	
14	AP8152055	Hex socket screw M8x12	2	
15	AP8121096	T bush 8,2x12x4	2	
16	AP8120455	Rubber spacer	2	
17	GU32944210	Guard decal	1	

<b>Group</b>	FRAME
<b>Code</b>	33.21
<b>Description</b>	Dashboard
<b>Service</b>	1



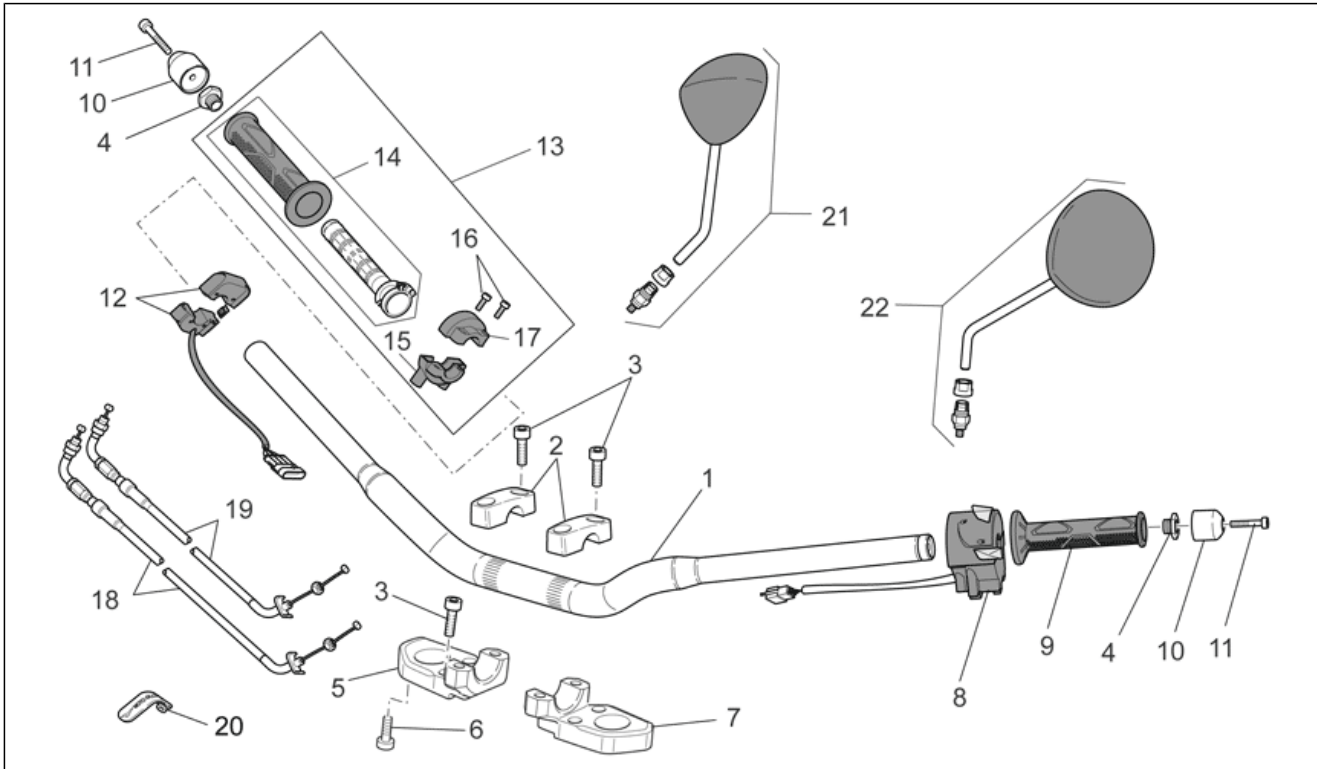
Pos.	Code	Description	Qty	Variants
1	883345	Dashboard complete	1	Country:Other country[EU]
1	883346	Dashboard complete	1	Country:Great Britain[UK]
2	GU05766530	Cover	1	
3	AP8220150	Rubber spacer	3	
4	AP8150255	Washer 5x20x1,5	3	
5	AP8150509	Self-tap screw 5x14	3	
6	GU05764030	Support plate	1	
7	GU98682416	Hex socket screw M8x16	1	
8	GU03270300	Washer 8,4x15	1	
9	GU98692313	Hex socket screw M6x12	2	
9	GU98692325	Hex socket screw M6x25	2	
10	GU05764330	Dashboard panel	1	
11	GU05745730	Switch Hazard	1	
12	GU05764430	Cover	2	Technical Specifications:Version without ABS[noABS]
12	GU05764430	Cover	1	Technical Specifications:ABS version[ABS]
13	AP8152339	Screw w/ flange M5x9	2	
14	GU05764530	Plate	1	
15	AP8150421	Self-tap screw 2,9x12	2	
16	AP8124936	Air temp. Sensor	1	
17	GU90274002	Washer for shafts	2	
18	GU05782530	Main switch - steering lock	1	
19	GU98682430	Hex socket screw M8x30	1	
20	AP8152238	Shear rivet M8x28	1	
21	AP8152334	Screw w/ flange M3x12	4	
22	AP8124985	Speedometer sensor cpl.	1	Technical Specifications:Version without ABS[noABS]
23	AP8152278	Screw w/ flange M6x16	1	Technical Specifications:Version without ABS[noABS]
24	GU92630206	Nut M6x1	2	
25	GU49609601	Hose clamp 2,4x92	2	Technical Specifications:Version without ABS[noABS]

<b>Group</b>	FRAME
<b>Code</b>	33.21
<b>Description</b>	Dashboard
<b>Service</b>	1



Pos.	Code	Description	Qty	Variants
26	GU05767830	Protection	1	
27	GU05780430	Switch ABS	1	<b>Technical Specifications:</b> ABS version[ABS]
28	981087	Immobilizer antenna	1	

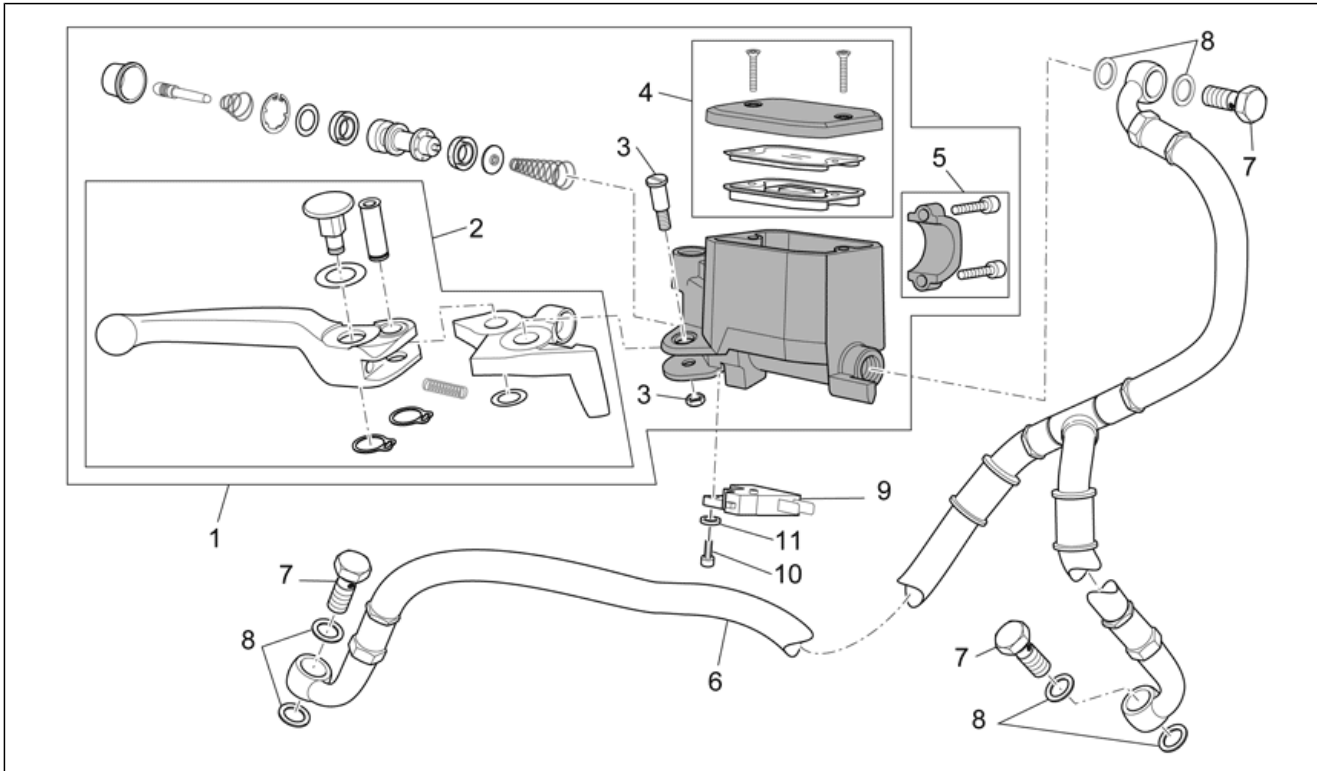
<b>Group</b>	FRAME
<b>Code</b>	33.22
<b>Description</b>	Handlebar - Controls
<b>Service</b>	1



Pos.	Code	Description	Qty	Variants
1	978204	Handlebar	1	
2	883424	U-bolt	2	
3	GU98690435	Hex socket screw M8x35	8	
4	AP8121520	Anti vib.weight trailing	1	
5	883422	RH lower U-bolt	1	
6	GU98692425	Hex socket screw M8x25	2	
7	883423	LH lower U-bolt	1	
8	GU05738030	LH lights selector	1	
9	AP8118579	LH hand grip	1	
10	AP8104509	Anti.v weight, black	2	
11	GU98680340	Hex socket screw M6x40	2	
12	B045021	RH lights selector	1	
13	GU05603331	Throttle cpl.	1	
14	GU01603480	RH hand grip	1	
15	AP8118502	Front gas lever U-bolt	1	
16	AP8118492	Cap screw	2	
17	AP8118503	Rear gas lever U-bolt	1	
18	883367	Gas trasmission delivery	1	
19	883368	Gas trasmission return	1	
20	GU01609630	Hose clamp L46 mm	2	
20	GU03609600	Hose clamp L36 mm	4	
21	AP8104921	RH rearview mirror	1	
22	AP8104922	LH rearview mirror	1	

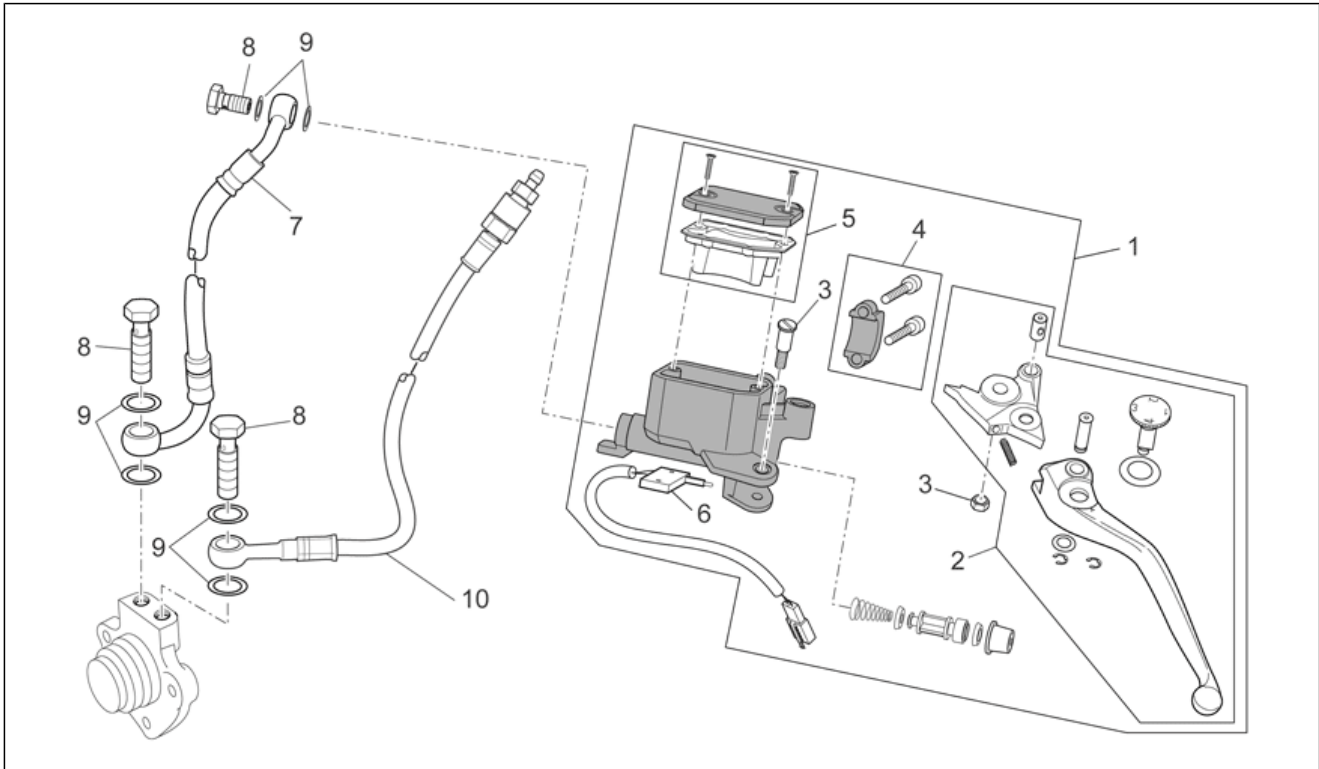


<b>Group</b>	FRAME
<b>Code</b>	33.23
<b>Description</b>	Front master cilinder
<b>Service</b>	1



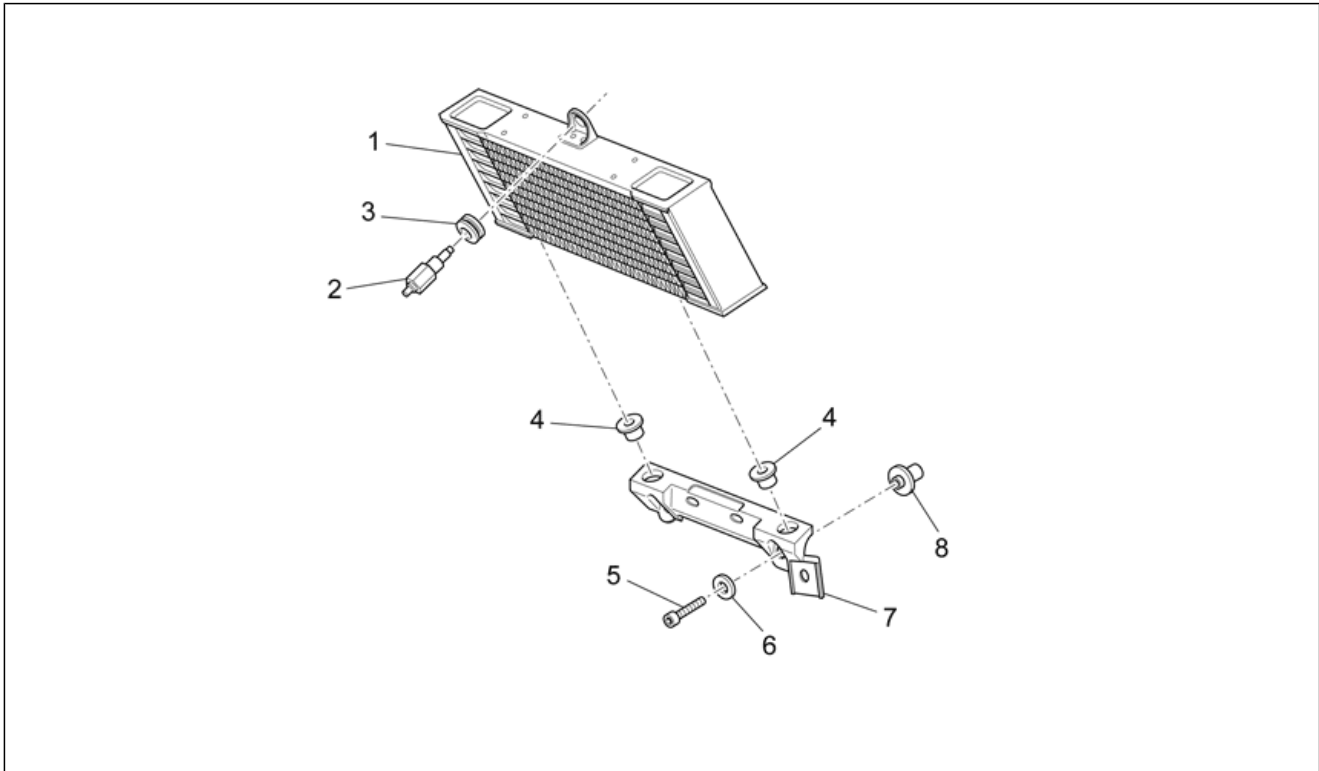
Pos.	Code	Description	Qty	Variants
1	978606	Front master cilinder	1	
2	981050	Front brake lever	1	
3	AP8113995	Lever pin	1	
4	GU05661130	Tank cap	1	
5	AP8113993	U-bolt	1	
6	GU06658800	Front brake hose	1	<b>Technical Specifications:</b> Version without ABS[noABS]
7	AP8133962	Oil pipe screw *	3	
8	GU25656100	Gasket	6	
9	GU03749845	Stop switch	1	
10	GU98370412	Hex socket screw M4x12	1	
11	GU95021104	Washer 4,3x8x1,5	1	

<b>Group</b>	FRAME
<b>Code</b>	33.24
<b>Description</b>	Clutch control complete
<b>Service</b>	1



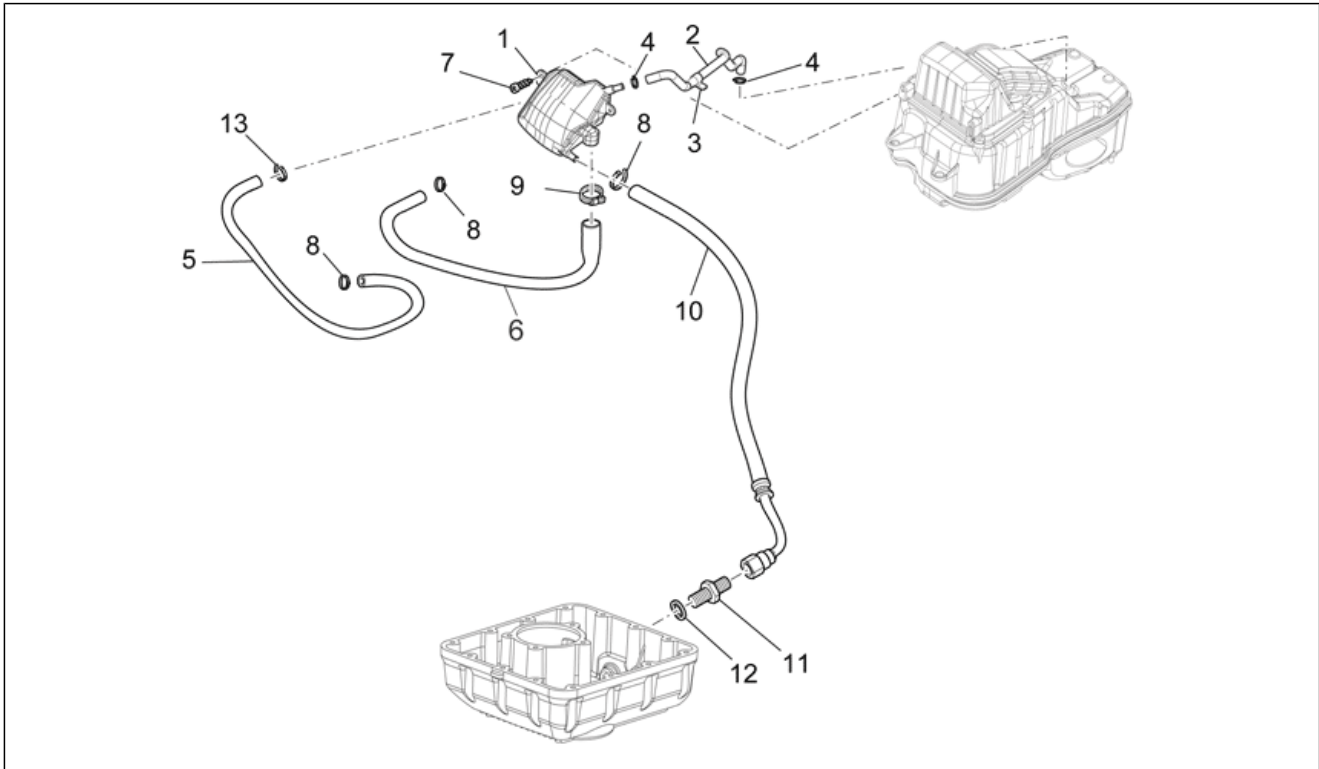
Pos.	Code	Description	Qty	Variants
1	978607	Clutch pump	1	
2	981046	Clutch lever	1	
3	GU03604845	Lever pin	1	
4	AP8113996	U-bolt	1	
5	AP8113997	Tank cap	1	
6	AP8113998	Microswitch	1	
7	978911	Clutch pipe	1	
8	AP8133594	Oil pipe screw	3	
9	AP8121915	Gasket	6	
10	GU05606630	Float chambe clutch pipe	1	

<b>Group</b>	FRAME
<b>Code</b>	33.25
<b>Description</b>	Oil radiator
<b>Service</b>	1



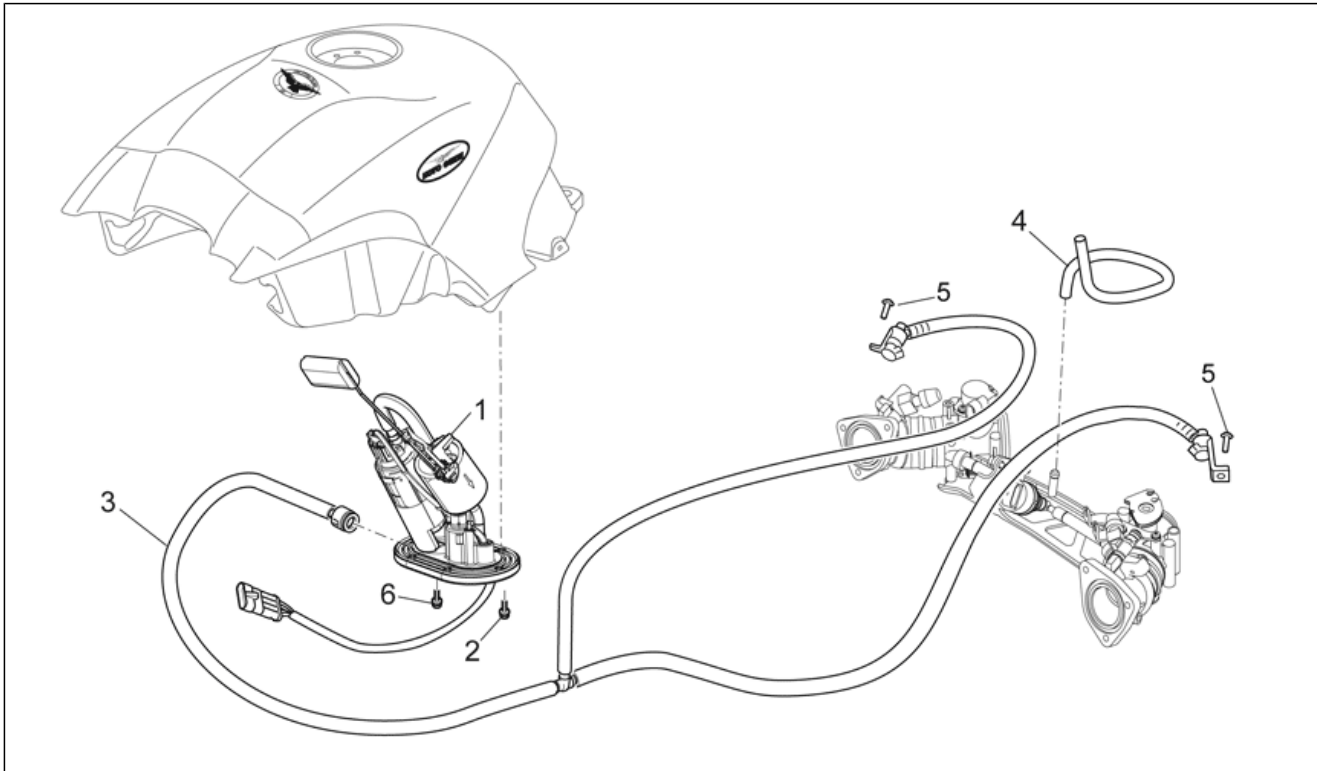
Pos.	Code	Description	Qty	Variants
1	GU05162031	Oil cooler cpl.	1	
2	GU05164630	Special screw	1	
3	GU91551010	Rubber spacer	1	
4	AP8101372	Silent-block	2	
5	GU98680340	Hex socket screw M6x40	2	
6	GU95005306	Washer 6,4x13x1,5	2	
7	883494	Bracket	1	
8	GU91120622	Bushing 6,2x11x22,5	2	

<b>Group</b>	FRAME
<b>Code</b>	33.26
<b>Description</b>	Blow-by system
<b>Service</b>	1



Pos.	Code	Description	Qty	Variants
1	883495	Housing	1	
2	GU05157430	Breather pipe	1	
3	AP8102151	Black hose D12*	1	
4	AP8102520	Hose clamp	2	
5	883499	RH pipe	1	
6	883500	LH pipe	1	
7	AP8150509	Self-tap screw 5x14	2	
8	AP8101586	Hose clip D.15,5x6,6	3	
9	GU93306018	Hose clamp 17X29X8	1	
10	GU05159330	Pipe	1	
11	GU01161331	Reduction	1	
12	GU01154230	Gasket	1	
13	GU93306017	Hose clamp	1	

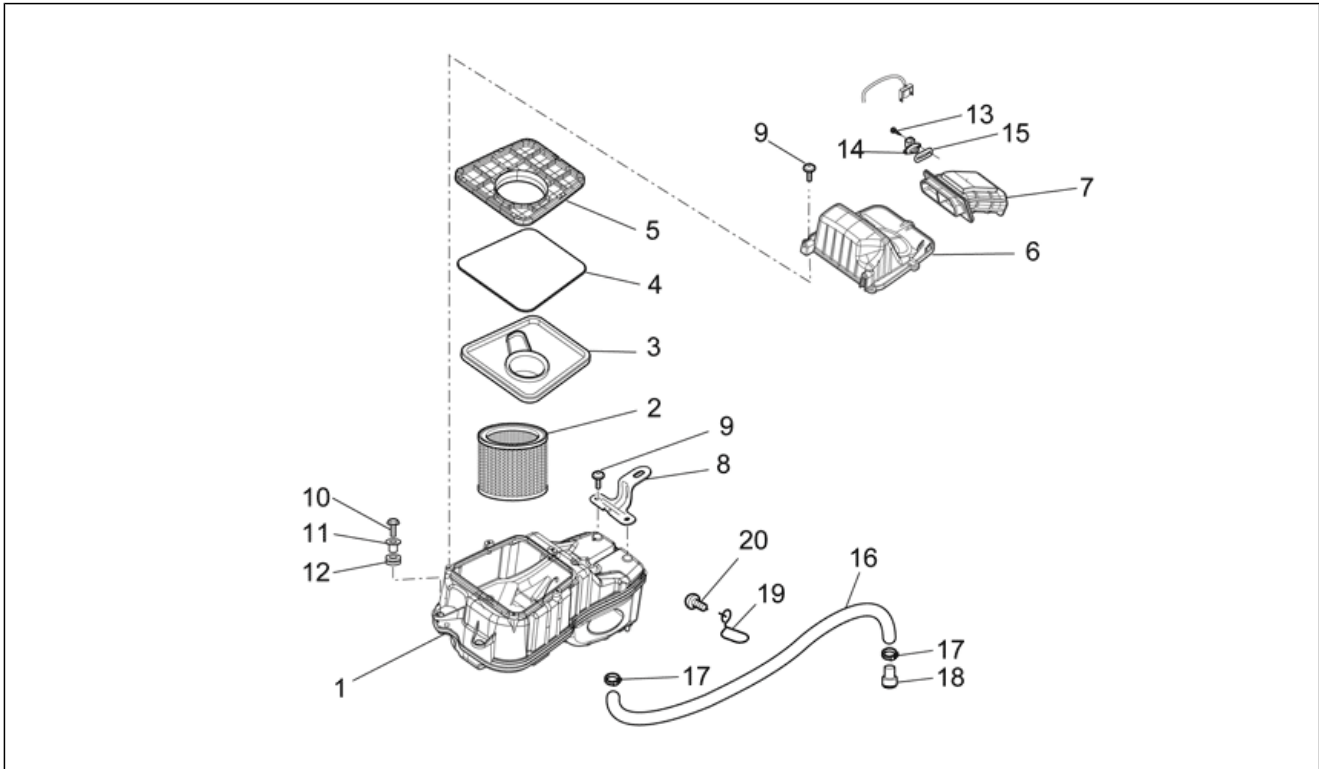
<b>Group</b>	FRAME
<b>Code</b>	33.27
<b>Description</b>	Fuel supply
<b>Service</b>	1



Pos.	Code	Description	Qty	Variants
1	887422	Fuel pump	1	
2	AP8152273	Screw w/ flange M5x16	4	
3	883275	Fuel pipe, cpl.	1	<b>Country:</b> Other country[EU], Great Britain[UK]
4	GU05135930	pipe	1	
5	AP8152298	Screw w/ flange M5x16	2	
6	AP8152274	Screw w/ flange M5x20	2	

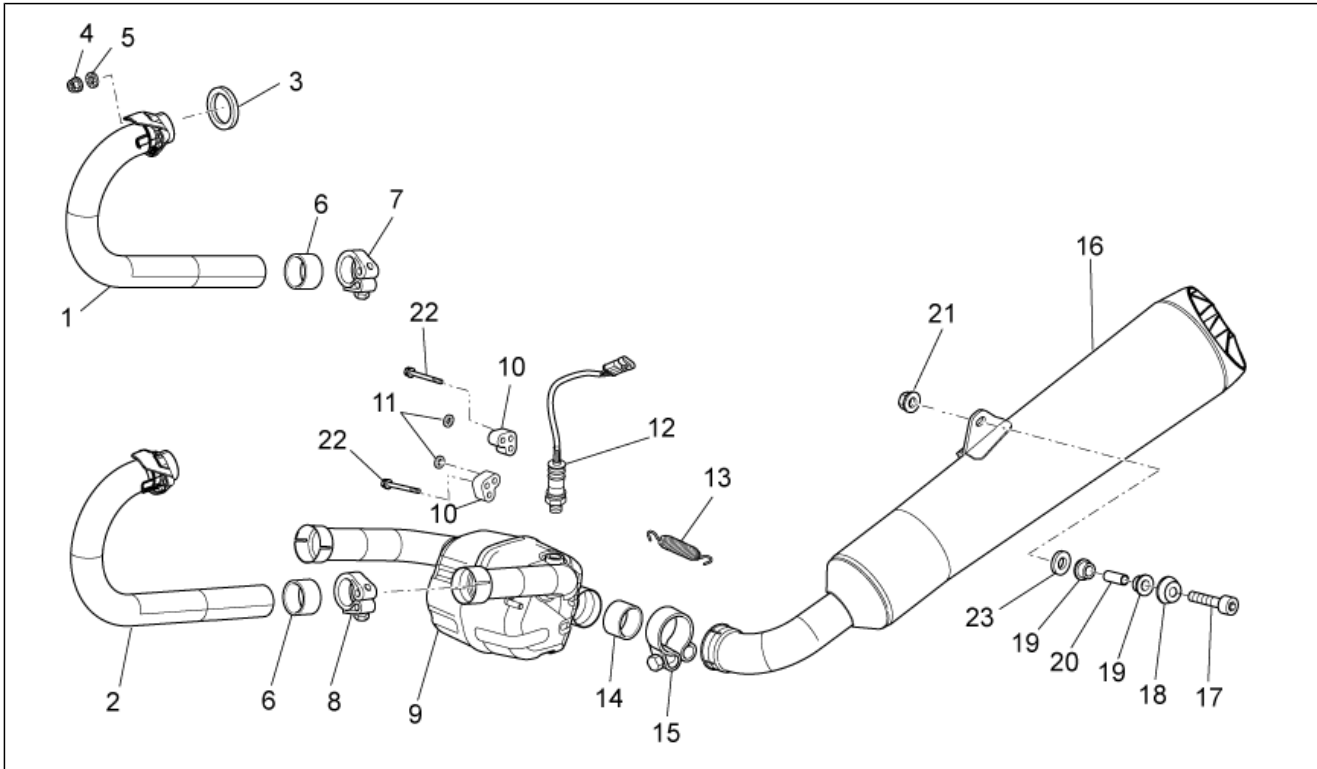


<b>Group</b>	FRAME
<b>Code</b>	33.28
<b>Description</b>	Air box
<b>Service</b>	1



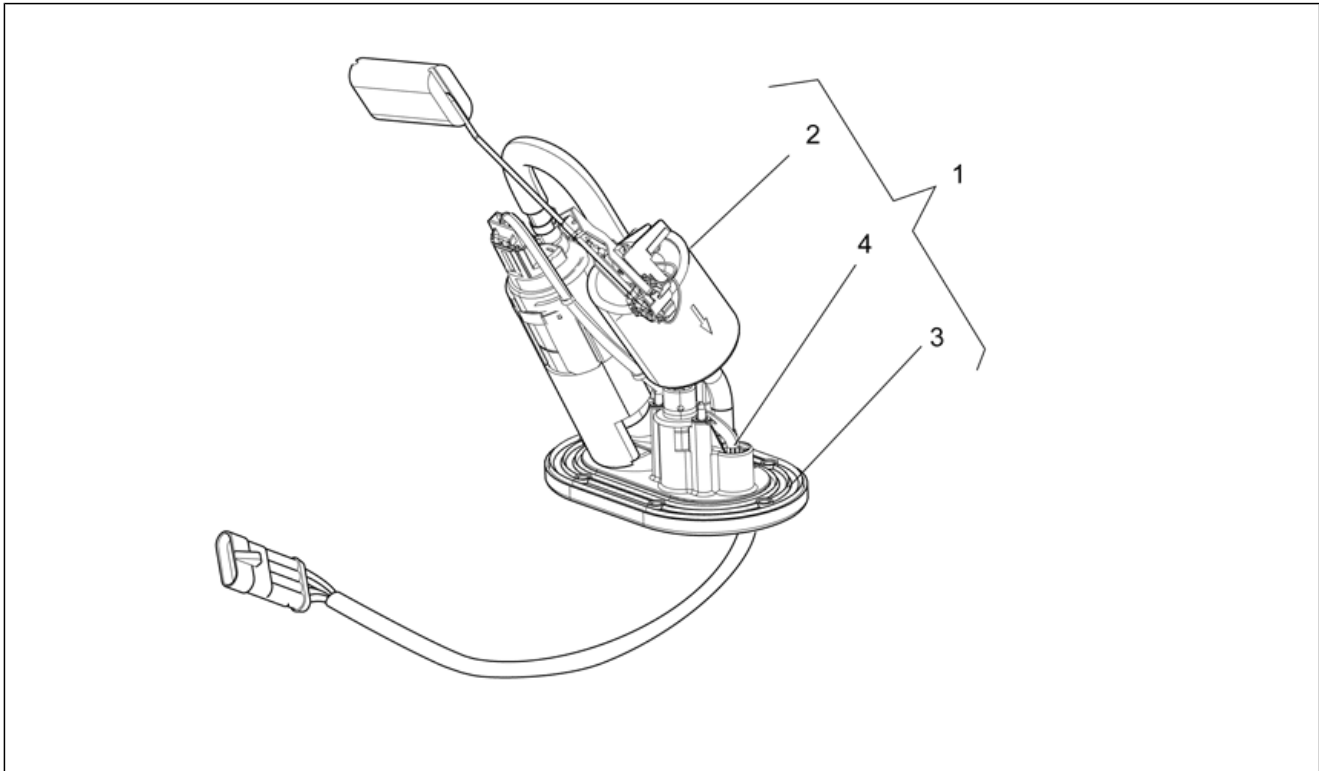
Pos.	Code	Description	Qty	Variants
1	GU05114031	Air box	1	
2	AP8104211	Air filter	1	
3	GU05113730	Protection	1	
4	AP8120615	Gasket D3	1	
5	GU05103830	Adhesive sponge	1	
6	GU05113530	Cover	1	
7	AP8144164	Intake hose	1	
8	GU05114130	Air box support	1	
9	AP8152329	Phillips screw, SWP M5x20	7	
10	AP8152279	Screw w/ flange M6x20	2	
11	AP8221023	T bush	2	
12	AP8120030	Rubber spacer	2	
13	AP8150421	Self-tap screw 2,9x12	2	
14	GU30729330	Air temp. Sensor	1	
15	GU30027931	Gasket	1	
16	AP8144038	Fuel pipe 6x10	1	
17	AP8101595	Hose clamp D10,1	2	
18	AP8120876	Plug	1	
19	AP8120428	Cable-guide	1	
20	AP8152278	Screw w/ flange M6x16	1	

<b>Group</b>	FRAME
<b>Code</b>	33.29
<b>Description</b>	Exhaust unit
<b>Service</b>	1



Pos.	Code	Description	Qty	Variants
1	978916	RH exhaust pipe	1	
2	978915	LH exhaust pipe	1	
3	976376	Gasket	2	
4	GU92660021	Flanged nut M8	4	
5	GU14615901	Washer 8,4X13X0,8	4	
6	GU05121630	Gasket	2	
7	976522	RH hose clamp	1	
8	976523	LH hose clamp	1	
9	883482	Expansion chamber	1	
9	883482	Expansion chamber	1	Year:2009[9] Country:JP[JP]
9	883907	Expansion chamber	1	Year:2010[A] Country:JP[JP]
10	GU05124230	Rubber spacer	1	
11	GU90274008	Washer for shafts D8	4	
12	GU32727010	Lambda sensor	1	
13	AP8121170	Spring	1	
14	GU05128230	Gasket	1	
15	976521	Hose clamp	1	
16	883908	Silencer	1	Year:2010[A] Country:JP[JP]
16	978287	Silencer	1	Year:2009[9]
17	GU98680445	Hex socket screw	1	
18	AP8134378	Silencer fixing bush	1	
19	AP8144071	Rubber exhaust	2	
20	883079	Spacer	1	
21	GU92650138	Nut M8x1,25	1	
22	GU05123430	RH hose clamp	2	
23	GU95005312	Washer 8,5x24x2	1	

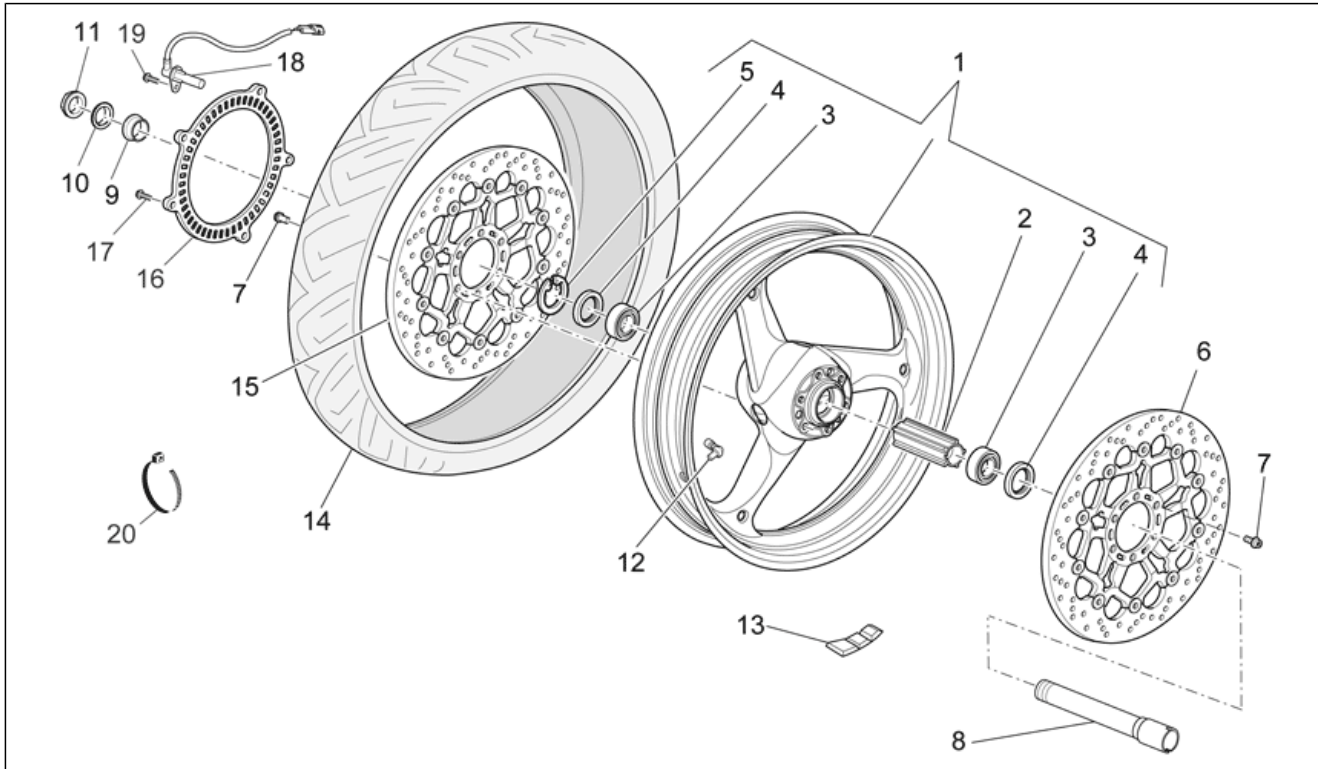
<b>Group</b>	FRAME
<b>Code</b>	33.30
<b>Description</b>	Internal fuel pump
<b>Service</b>	1



Pos.	Code	Description	Qty	Variants
1	887422	Fuel pump	1	
2	GU01106090	Fuel filter	1	
3	GU05107430	Gasket	1	
4	GU01108490	Hose clamp 11,3	4	

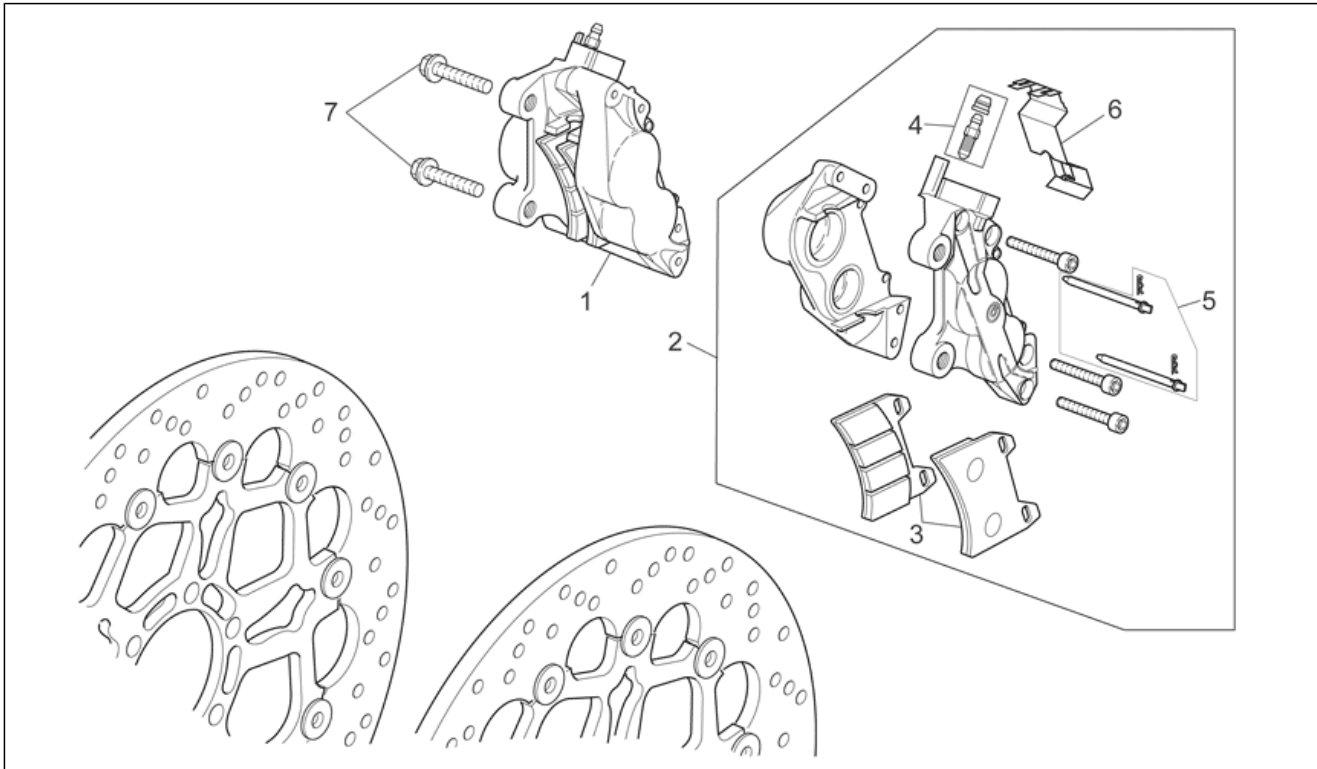


<b>Group</b>	FRAME
<b>Code</b>	33.31
<b>Description</b>	Front wheel
<b>Service</b>	1



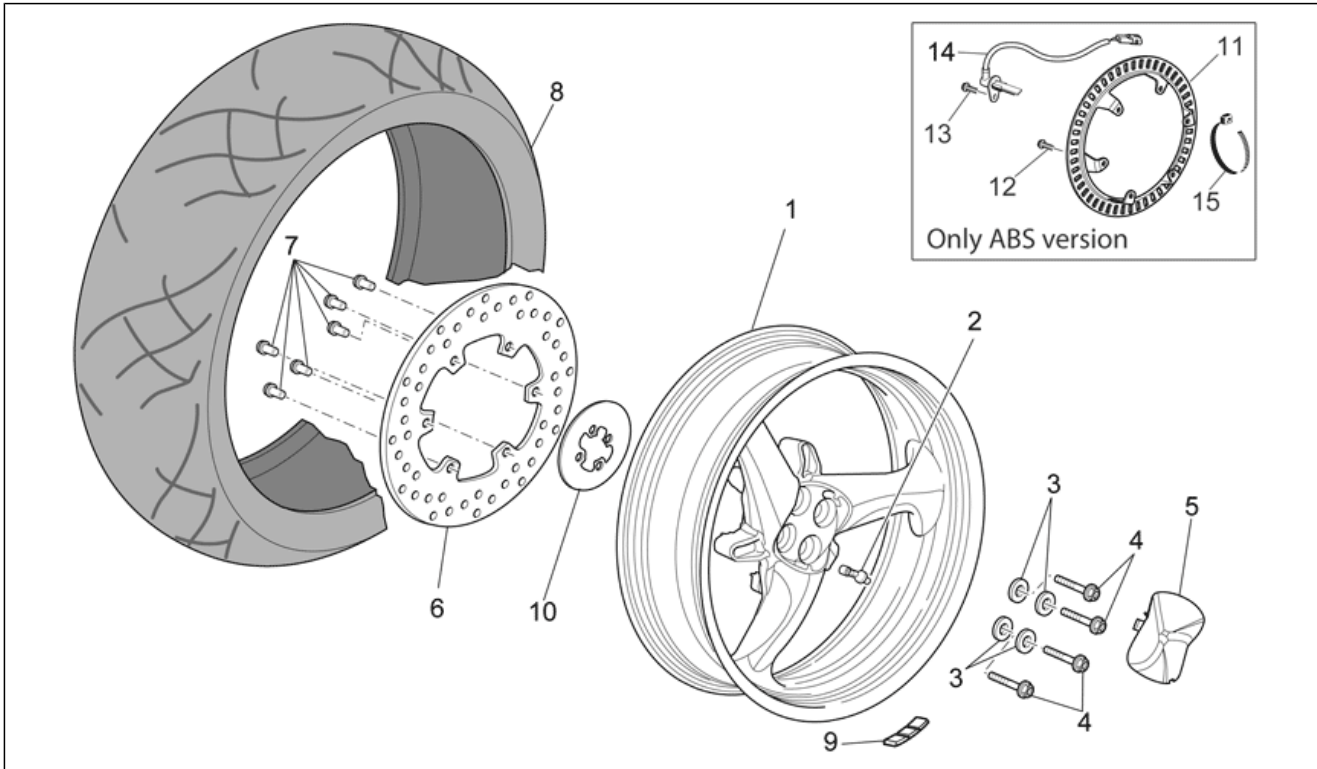
Pos.	Code	Description	Qty	Variants
1	883883	Front wheel, dark grey 3,5X17"	1	<b>Technical Specifications:</b> Marchiato ZCV[ZCV]
1	GU05610530	Front wheel, dark grey 3,5x17"	1	<b>Technical Specifications:</b> Marchio Brembo[BR]
2	GU05615230	Spacer	1	
3	AP8125777	Ball bearing 25x47x12	2	
4	AP8125773	Gasket ring 30x47x7	2	
5	AP8125779	Circlip	1	
6	GU05613330	Front brake disc, gold 320	1	
7	GU05611430	screw	12	
8	GU05614130	Front wheel spindle	1	
9	AP8125791	Spacer	1	
10	GU95005325	Washer 25,2X36X1	1	
11	GU01612190	Nut	1	
12	GU03617710	Tubeless tyre valve	1	
13	GU14616150	Counterweight	1	
14	0000000	Tyre	0	
15	GU05613335	Front brake disc, gold 320	1	
16	GU05681430	Wheel speed sensor, left front	1	<b>Technical Specifications:</b> ABS version[ABS]
17	GU98250510	Screw	5	<b>Technical Specifications:</b> ABS version[ABS]
18	AP8127469	Sensor abs	1	<b>Technical Specifications:</b> ABS version[ABS]
19	AP8152278	Screw w/ flange M6x16	1	<b>Technical Specifications:</b> ABS version[ABS]
20	GU49609601	Hose clamp 2,4x92	1	<b>Technical Specifications:</b> ABS version[ABS]

<b>Group</b>	FRAME
<b>Code</b>	33.32
<b>Description</b>	Front brake caliper
<b>Service</b>	1



Pos.	Code	Description	Qty	Variants
1	GU05652330	RH Front brake caliper, gold	1	
2	GU05652230	LH Front brake caliper, gold	1	
3	GU01654630	Pads pair	2	
4	GU05659230	Bleeder+cap	2	
5	GU01659130	Pins+Caliper springs	2	
6	GU01659131	Spring	2	
7	AP8152336	Screw w/ flange M10x1,25	4	

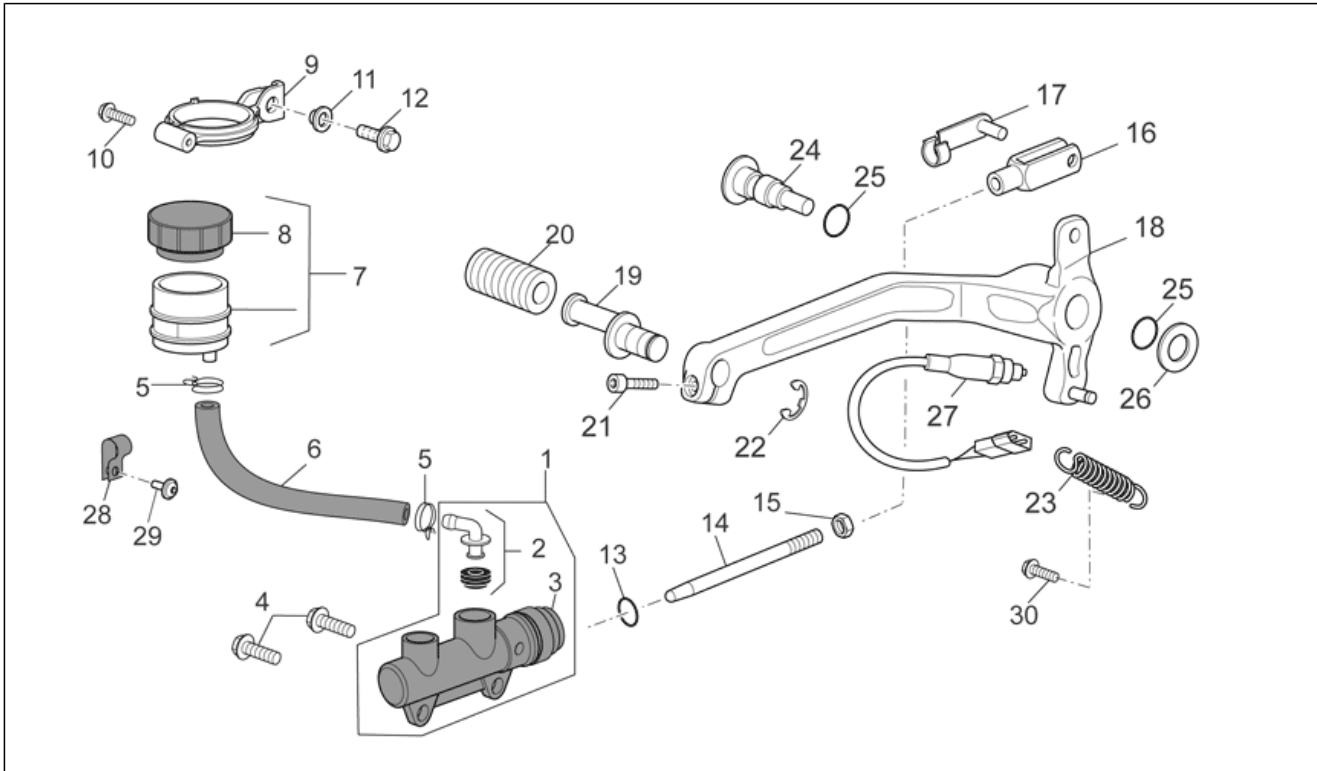
<b>Group</b>	FRAME
<b>Code</b>	33.33
<b>Description</b>	Rear wheel
<b>Service</b>	1



Pos.	Code	Description	Qty	Variants
1	883886	Rear wheel, grey 5,5X17"	1	<b>Technical Specifications:</b> ABS version[ABS], Marchiato ZCV[ZCV]
1	GU05630530	Rear wheel, grey 5,5x17"	1	<b>Technical Specifications:</b> Version without ABS[noABS]
1	GU05630531	Rear wheel, grey 5,5x17"	1	<b>Technical Specifications:</b> ABS version[ABS], Marchio Brembo[BR]
2	GU03617710	Tubeless tyre valve	1	
3	GU05632730	Conical bush	4	
4	GU97202665	Screw w/ flange M12x65	4	
5	GU05634430	Cover	1	
6	GU05635730	Rear brake disc	1	
7	GU30611460	screw	6	
8	0000000	Tyre	1	
9	GU14616150	Counterweight	1	
10	977056	Dust cover ring	1	
11	GU05681530	Wheel speed sensor, left front	1	<b>Technical Specifications:</b> ABS version[ABS]
12	AP8152272	Screw w/ flange M5x12	6	<b>Technical Specifications:</b> ABS version[ABS]
13	GU05683730	Sensor	1	<b>Technical Specifications:</b> ABS version[ABS]
14	AP8152278	Screw w/ flange M6x16	1	<b>Technical Specifications:</b> ABS version[ABS]
15	GU49609601	Hose clamp 2,4x92	1	<b>Technical Specifications:</b> ABS version[ABS]

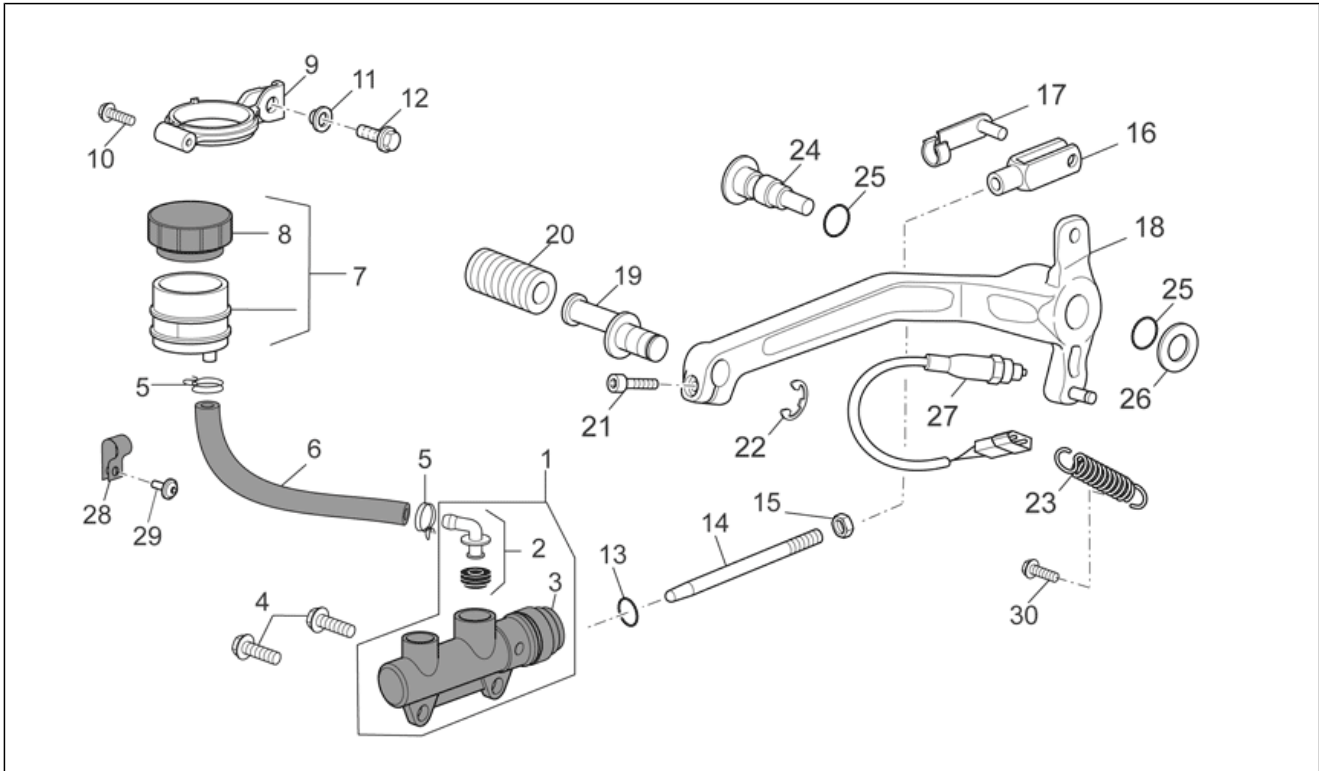


<b>Group</b>	FRAME
<b>Code</b>	33.34
<b>Description</b>	Rear master cylinder
<b>Service</b>	1



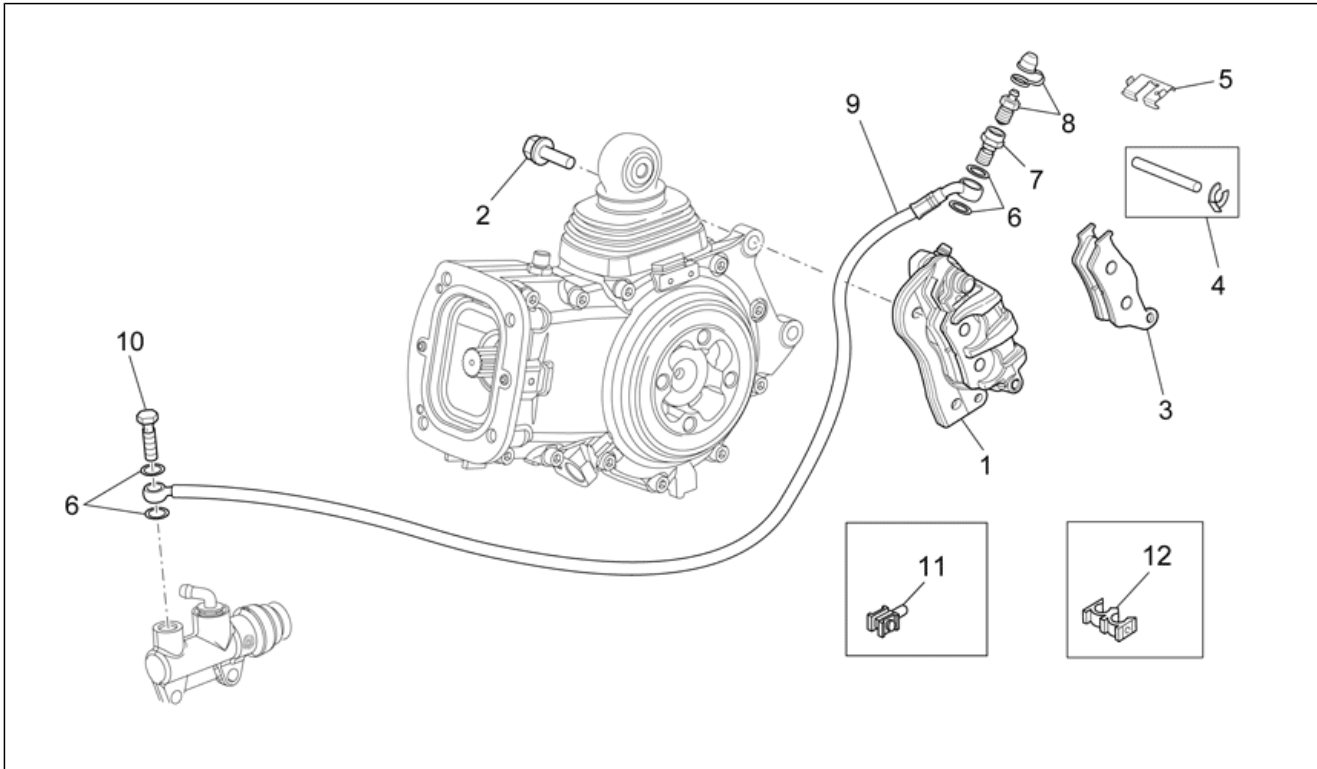
Pos.	Code	Description	Qty	Variants
1	GU0566930	Rear master cylinder	1	
2	AP8113594	Rear brake pump union	1	
3	AP8113288	Rubber bellows	1	
4	AP8152279	Screw w/ flange M6x20	2	
5	AP8101595	Hose clamp D10,1	2	
6	GU00823950050	Oil pipe	1	
7	GU05663530	Brake oil tank complete	1	
8	GU17661052	Tank cap	1	
9	GU05666030	Tank support	1	
10	AP8152329	Phillips screw, SWP M5x20	1	
11	AP8221145	T bush *	1	
12	AP8152278	Screw w/ flange M6x16	1	
13	AP8120178	O-ring OR112	1	
14	977041	Master cylinder rod	1	
15	GU92606206	Nut	1	
16	AP8101968	Fork	1	
17	AP8201301	Gear selector fork clips	1	
18	GU05677030	Rear brake lever	1	
19	AP8121221	Brake lever pin	1	
20	AP8120912	Lever rubber	1	
21	GU98682316	Hex socket screw M6x16	1	
22	AP8150462	Circlip d9	1	
23	AP8121927	Rear brake lever spring	1	
24	884033	Rear brake lever pin	1	
25	AP8144007	O-ring 11,11x1,78	2	
26	GU95008310	Washer 10,5x22x2,5	1	
27	AP8112996	clutch switch	1	
28	AP8102151	Black hose D12*	1	

<b>Group</b>	FRAME
<b>Code</b>	33.34
<b>Description</b>	Rear master cylinder
<b>Service</b>	1



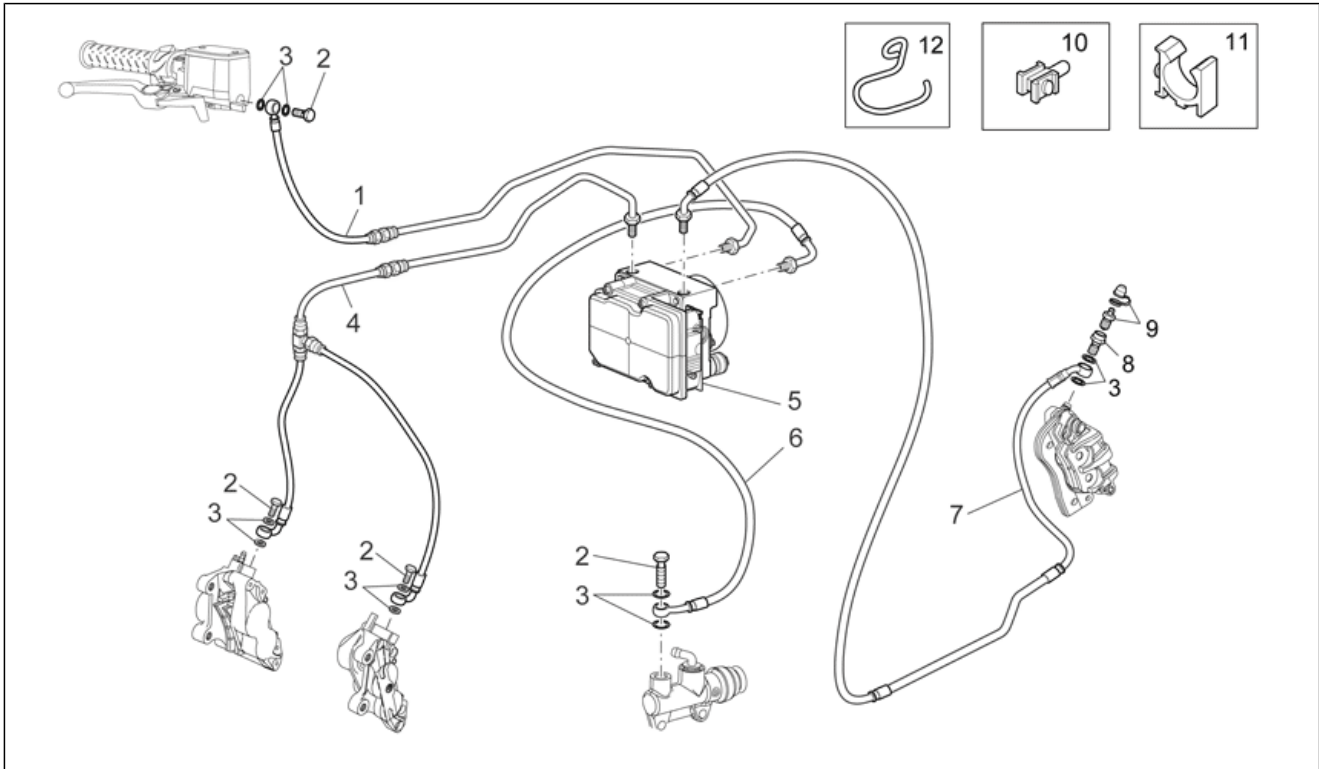
Pos.	Code	Description	Qty	Variants
29	GU98350210	Hex socket screw	1	
30	AP8152273	Screw w/ flange M5x16	1	

<b>Group</b>	FRAME
<b>Code</b>	33.35
<b>Description</b>	Rear brake caliper
<b>Service</b>	1



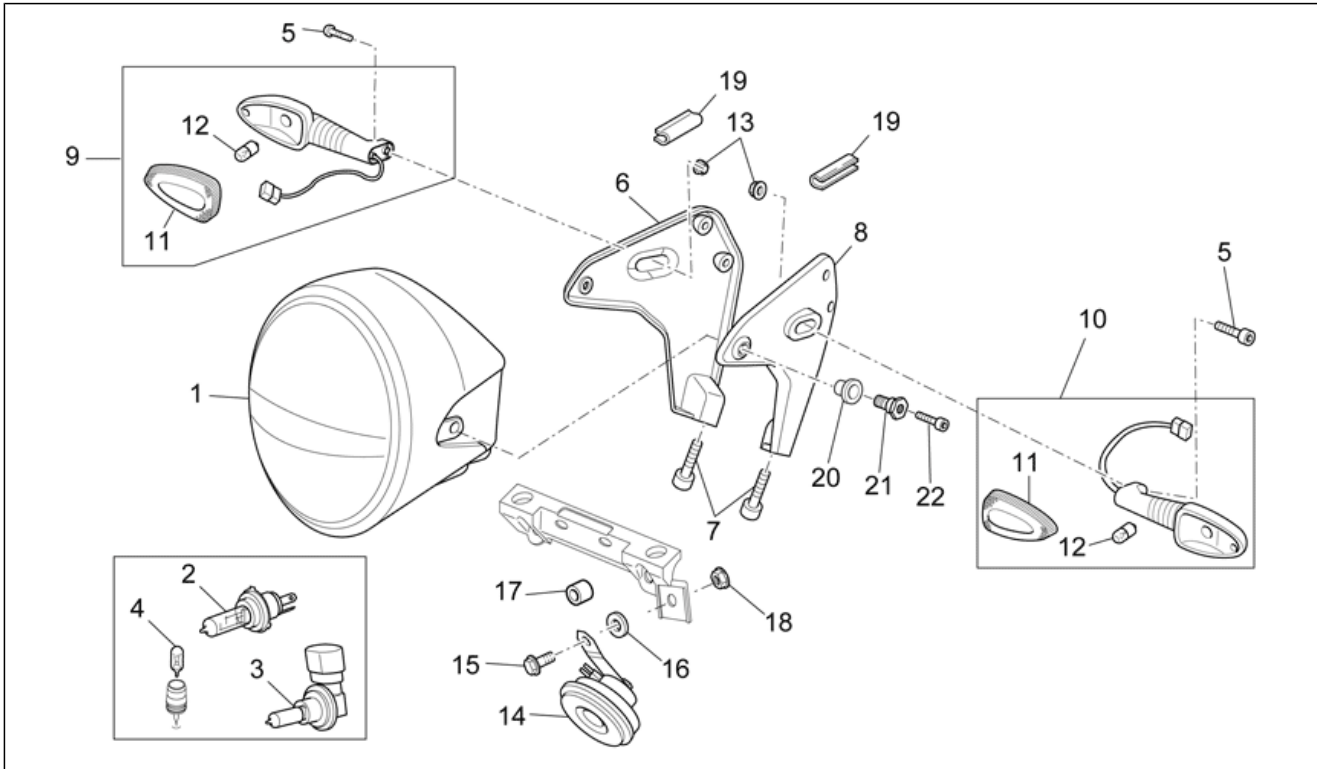
Pos.	Code	Description	Qty	Variants
1	GU05653030	Rear brake caliper, gold	1	
2	AP8152320	Screw w/ flange	2	
3	GU05654630	Pads pair	1	
4	GU05659130	Pin+split pin	1	
5	GU05659030	Spring	1	
6	GU25656100	Gasket	4	
7	AP8133597	screw	1	
8	AP8213113	Bleeder+cap	1	
9	GU05657530	Rear brake hose	1	<b>Technical Specifications:</b> Version without ABS[noABS]
10	AP8133594	Oil pipe screw	1	
11	AP8202238	Cable-guide hook	4	
12	AP8201808	Cable-guide D8	4	<b>Technical Specifications:</b> Version without ABS[noABS]
12	GU05436530	Cable-guide D5	4	<b>Technical Specifications:</b> ABS version[ABS]

<b>Group</b>	FRAME
<b>Code</b>	33.36
<b>Description</b>	ABS Brake system
<b>Service</b>	1



Pos.	Code	Description	Qty	Variants
1	GU05681030	Front brake hose	1	<b>Technical Specifications:</b> ABS version[ABS]
2	AP8133594	Oil pipe screw	4	
3	GU25656100	Gasket	10	
4	GU05680830	Front brake hose	1	<b>Technical Specifications:</b> ABS version[ABS]
5	GU05680530	ECU/Pump ABS	1	<b>Technical Specifications:</b> ABS version[ABS]
6	GU05681130	Brake hose	1	<b>Technical Specifications:</b> ABS version[ABS]
7	GU05680930	Rear brake hose	1	<b>Technical Specifications:</b> ABS version[ABS]
8	AP8133597	screw	1	
9	AP8213113	Bleeder+cap	1	
10	AP8202238	Cable-guide hook	4	
11	GU05436530	Cable-guide D5	4	<b>Technical Specifications:</b> ABS version[ABS]
12	GU05683130	Cable-guide D8	1	<b>Technical Specifications:</b> ABS version[ABS]

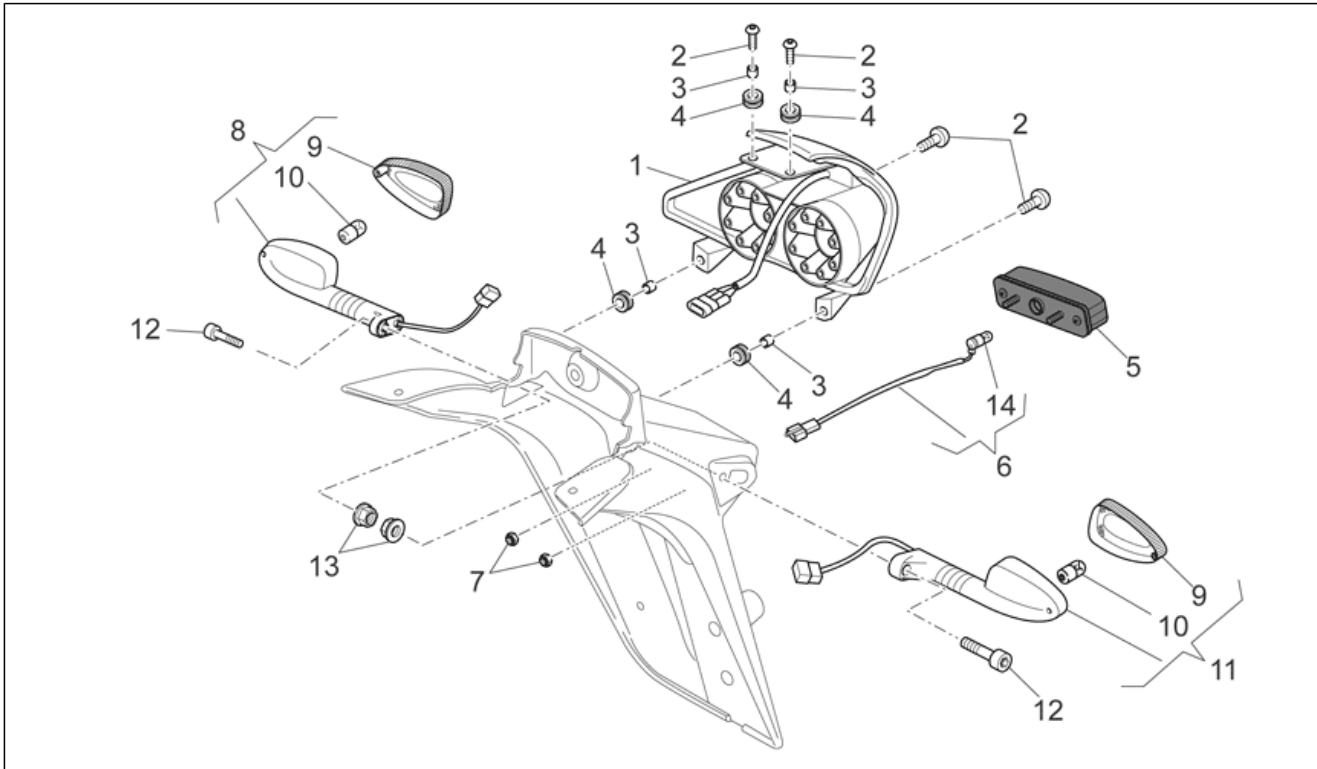
<b>Group</b>	FRAME
<b>Code</b>	33.37
<b>Description</b>	Headlight/Horn
<b>Service</b>	1



Pos.	Code	Description	Qty	Variants
1	GU05740530	Headlight	1	Country:Other country[EU]
1	GU05740531	Cpl headlightsteering headligh	1	Country:Australia[AU], India[IN], JP[JP], Great Britain[UK]
2	AP8127109	Lamp H7-12V-55W	1	
3	GU93450265	Lamp H9-12V-65W	1	
4	GU93450105	Lamp	1	
5	GU98692318	Hex socket screw	2	
6	GU05578630	RH support	1	
7	GU98682435	Hex socket screw	2	
8	GU05578631	LH support	1	
9	AP8127514	RH front turn indicator	1	
10	AP8127515	LH front turn indicator	1	
11	AP8127552	Turn indicator lens	2	
12	GU93450126	Lamp, orange	2	
13	GU92630206	Nut M6x1	2	
14	GU05743730	Horn	1	
15	AP8152286	Screw w/ flange M8x20	1	
16	GU95100244	Washer	1	
18	AP8152300	Self-locking nut M8	1	
19	AP8144707	Gasket	2	
20	978158	T bush *	2	
21	978157	Special screw	2	
22	GU98710215	Screw	2	

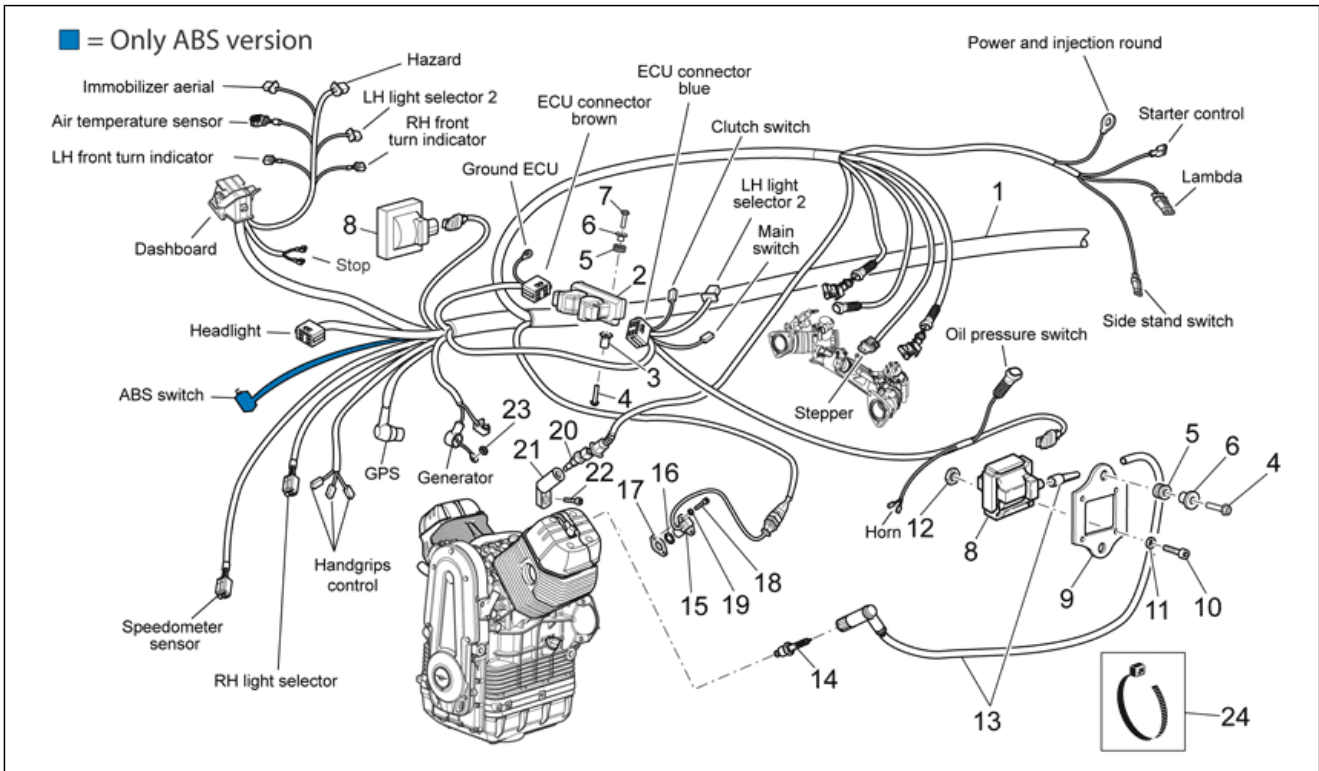


<b>Group</b>	FRAME
<b>Code</b>	33.38
<b>Description</b>	Taillight
<b>Service</b>	1



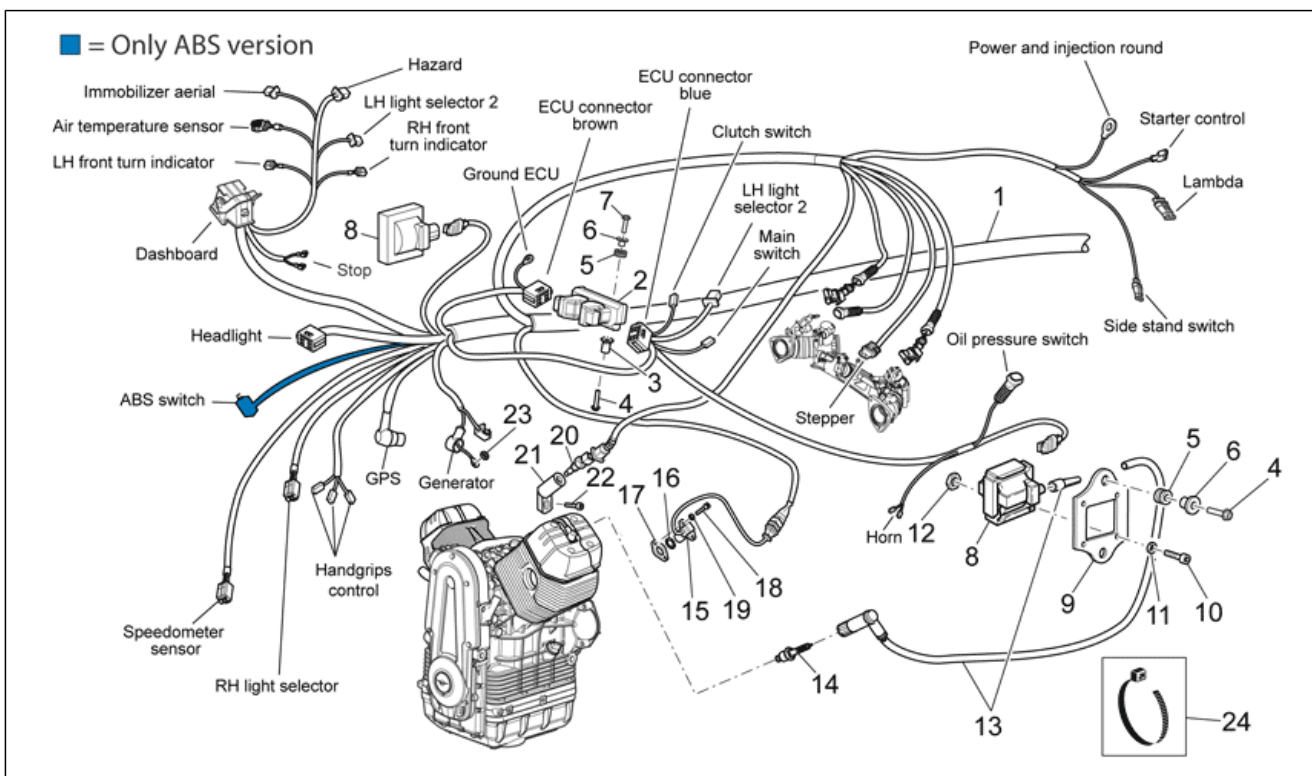
Pos.	Code	Description	Qty	Variants
1	883314	Taillight	1	
2	AP8152298	Screw w/ flange M5x16	4	
3	AP8221036	Bushing 5,3x8x7,1	4	
4	AP8120405	Rubber spacer	4	
5	AP8212702	Number-plate light	1	
6	AP8124976	Plate light wiring	1	
7	AP8152306	Self-locking nut m5	2	
8	GU05751630	Rear RH turn indicator	1	
9	AP8127552	Turn indicator lens	2	
10	GU93450126	Lamp, orange	2	
11	GU05751730	Rear LH turn indicator	1	
12	GU98692318	Hex socket screw	2	
13	GU92630206	Nut M6x1	2	
14	GU93450105	Lamp	1	

<b>Group</b>	FRAME
<b>Code</b>	33.39
<b>Description</b>	Electrical system I
<b>Service</b>	1



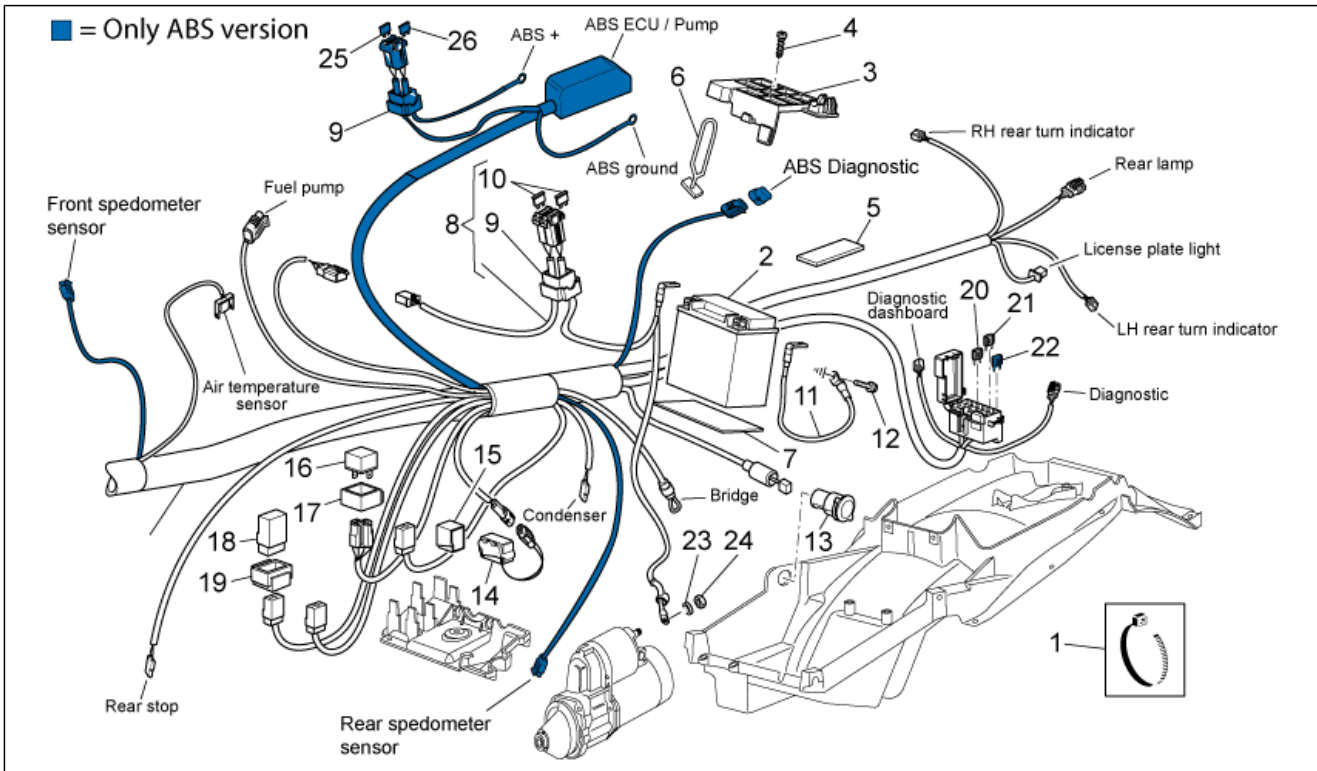
Pos.	Code	Description	Qty	Variants
1	883030	Main wiring harness	1	<b>Technical Specifications:</b> Version without ABS[noABS]
1	883125	Main wiring harness ABS	1	<b>Technical Specifications:</b> ABS version[ABS]
1	884118	Main wiring harness	1	<b>Technical Specifications:</b> Version without ABS[noABS]
1	884145	Main wiring harness ABS	1	<b>Technical Specifications:</b> ABS version[ABS]
2	883419	ECU	1	<b>Year:</b> 2009[9] <b>Country:</b> JP[JP] <b>Technical Specifications:</b> Version without ABS[noABS]
2	883419	ECU	1	<b>Technical Specifications:</b> Version without ABS[noABS]
2	883497	ECU	1	<b>Technical Specifications:</b> ABS version[ABS]
2	883906	ECU	1	<b>Year:</b> 2010[A] <b>Country:</b> JP[JP] <b>Technical Specifications:</b> Version without ABS[noABS]
3	883418	Bush	2	
4	AP8152279	Screw w/ flange M6x20	6	
5	AP8120030	Rubber spacer	6	
6	AP8221023	T bush	6	
7	AP8152282	Screw w/ flange M6x35	2	
8	GU30716500	HT coil	2	
9	GU05716730	Coil holder	2	
10	GU98682125	Hex socket screw	8	
11	GU95008204	Washer 4,3x8x0,5	8	
12	GU92630104	Nut M4x0,7	8	
13	640912	HT wire	2	
14	GU05717030	Spark plug NGK PMR8B	2	
15	GU01721600	Phase/revolution sensor	1	
16	GU90706141	O-ring	1	
17	GU01722700	Gasket 0,3mm	1	
17	GU01722701	Gasket 0,4 mm	1	
17	GU01722702	Gasket 0,6mm	1	

<b>Group</b>	FRAME
<b>Code</b>	33.39
<b>Description</b>	Electrical system I
<b>Service</b>	1



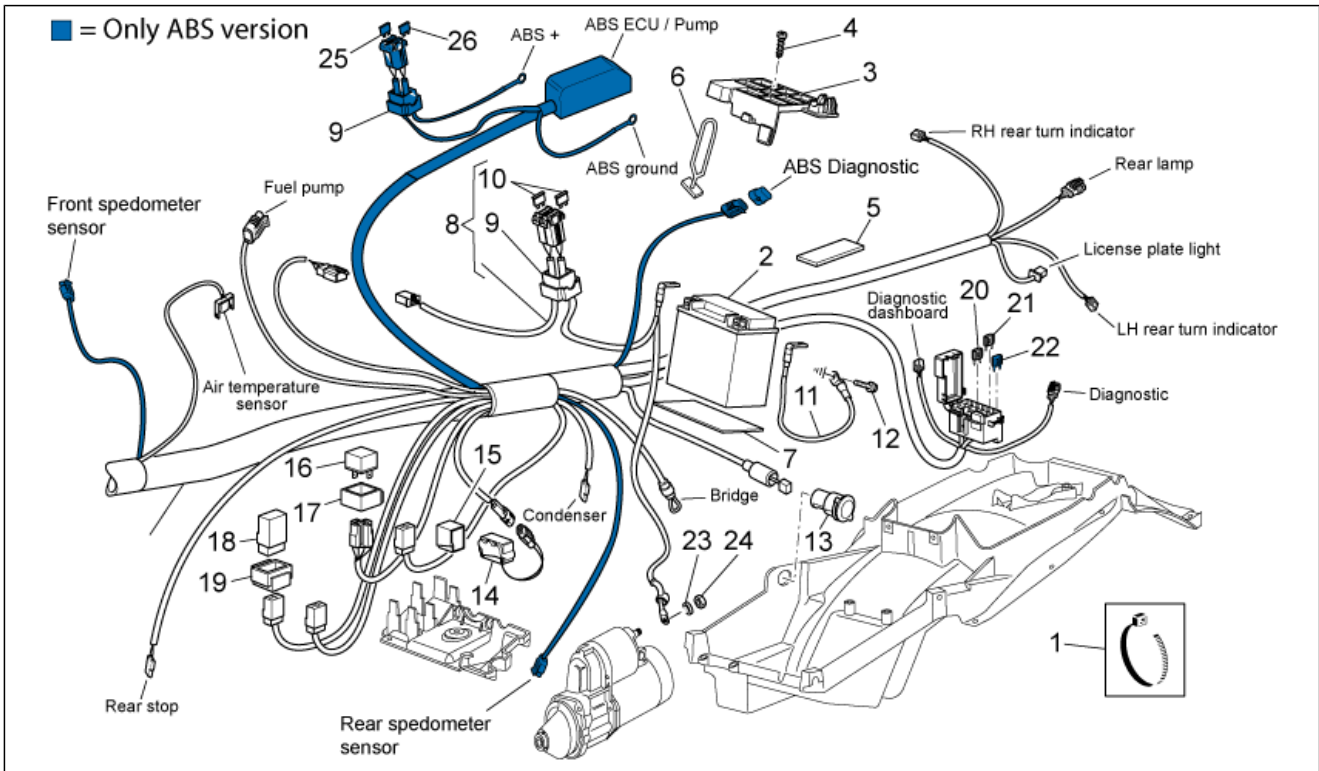
Pos.	Code	Description	Qty	Variants
17	GU01722703	Gasket	1	
17	GU01722704	Gasket 1mm	1	
17	GU01722705	Gasket 1,5mm	1	
17	GU29722760	Gasket 0,5 mm	1	
18	GU98682212	Hex socket screw M5x12	2	
19	GU95008205	Washer 5,3x10x0,8	2	
20	GU29729461	Oil temperature sensor	1	
21	976556	Sensor support	1	
22	GU98683520	Hex socket screw M10x20	1	
23	AP8152299	Self-locking nut M6	1	
24	GU14609650	Hose clamp 3,6x20,6	23	
24	GU30609600	Hose clamp 8,8x185	1	
24	GU93304360	Hose clamp 7,6x380	2	

<b>Group</b>	FRAME
<b>Code</b>	33.40
<b>Description</b>	Electrical system II
<b>Service</b>	1



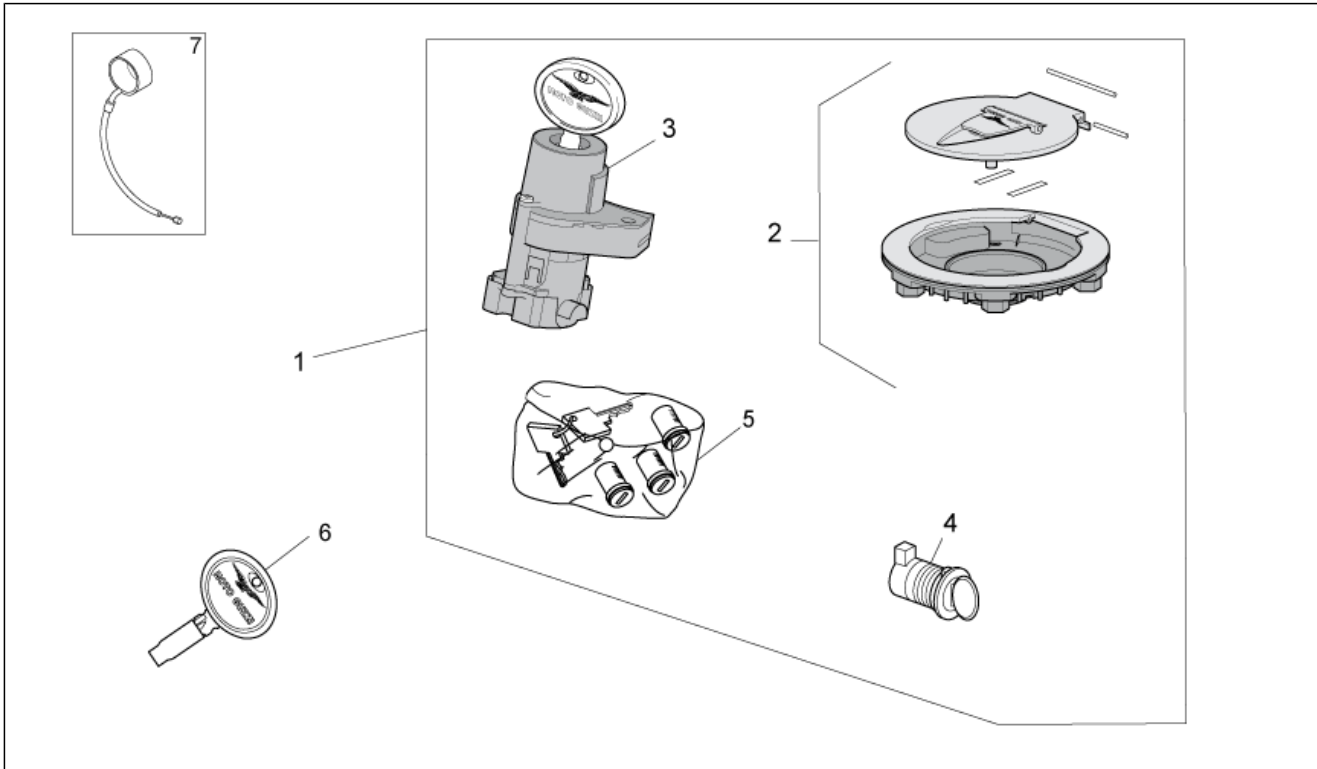
Pos.	Code	Description	Qty	Variants
1	GU14609650	Hose clamp 3,6x20,6	23	
1	GU93304360	Hose clamp 7,6x380	2	
2	883818	Battery	1	<b>Technical Specifications:</b> Vehicle with YT20-BS battery[B]
2	GU05704531	Battery 12V-20Ah	1	<b>Technical Specifications:</b> Vehicle with YTX20CH-BS battery[A]
3	883819	Battery cover	1	<b>Technical Specifications:</b> Vehicle with YT20-BS battery[B]
3	GU05704630	Battery cover	1	<b>Technical Specifications:</b> Vehicle with YTX20CH-BS battery[A]
4	AP8152329	Phillips screw, SWP M5x20	2	
5	AP8117200	Adhesive sponge	1	
6	AP8120177	Headlight supp.snap	2	
7	AP8144553	Support rubber part	2	
8	GU05747830	Wiring	1	
9	AP8112811	Rubber fuse box	1	<b>Technical Specifications:</b> Version without ABS[noABS]
9	AP8112811	Rubber fuse box	2	<b>Technical Specifications:</b> ABS version[ABS]
10	GU28742562	Fuse 30A	3	
11	978505	Ground-battery lead	1	<b>Technical Specifications:</b> Vehicle with YT20-BS battery[B]
11	GU05747930	Ground-battery lead	1	<b>Technical Specifications:</b> Vehicle with YTX20CH-BS battery[A]
12	AP8152277	Screw w/ flange M6x12	1	
13	AP8124768	Socket	1	
14	AP8124266	Inclination sensor	1	
15	AP8144046	Rubber sensor support	1	
16	AP8124869	Injection relay	1	
17	AP8220546	Relay rubber	1	
18	AP8224462	Relay 12V/30A	3	
19	AP8220283	Rubber spacer *	3	
20	977772	Fuse 15A	6	
21	977769	Fuse 3A	2	

<b>Group</b>	FRAME
<b>Code</b>	33.40
<b>Description</b>	Electrical system II
<b>Service</b>	1



Pos.	Code	Description	Qty	Variants
22	977771	Fuse 10A	1	Technical Specifications:ABS version[ABS]
23	GU95129131	Washer 8,4x15x1,7	1	
24	GU92609408	Nut M8x1,25	1	
25	977761	Fuse ABS-25A	2	Technical Specifications:ABS version[ABS]
26	977762	Fuse ABS-40A	2	Technical Specifications:ABS version[ABS]

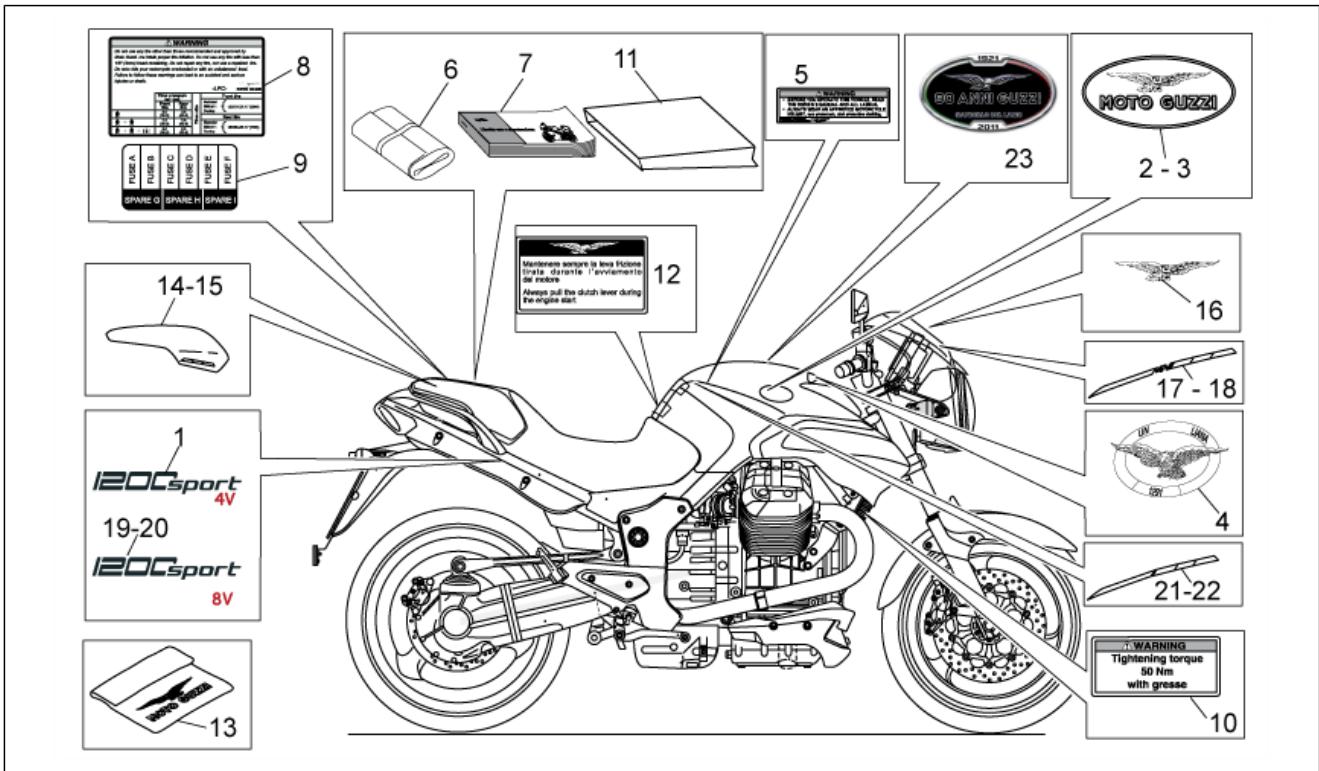
<b>Group</b>	FRAME
<b>Code</b>	33.41
<b>Description</b>	Lock hardware kit
<b>Service</b>	1



Pos.	Code	Description	Qty	Variants
1	977666	Lock kit	1	Country:Other country[EU], JP[JP], Great Britain[UK]
1	B063858	***LOCK KIT	1	Country:USA[US]
2	GU05103930	Tank cap	1	
3	B063859	***SWITCH AND STERRING LOCK	1	Country:USA[US]
3	GU05782530	Main switch - steering lock	1	Country:Other country[EU], JP[JP], Great Britain[UK]
4	GU05466830	Saddle lock	1	
5	978220	Rotor kit with key	1	
6	GU05735530	Non indented key blank	1	
7	981087	Immobilizer antenna	1	



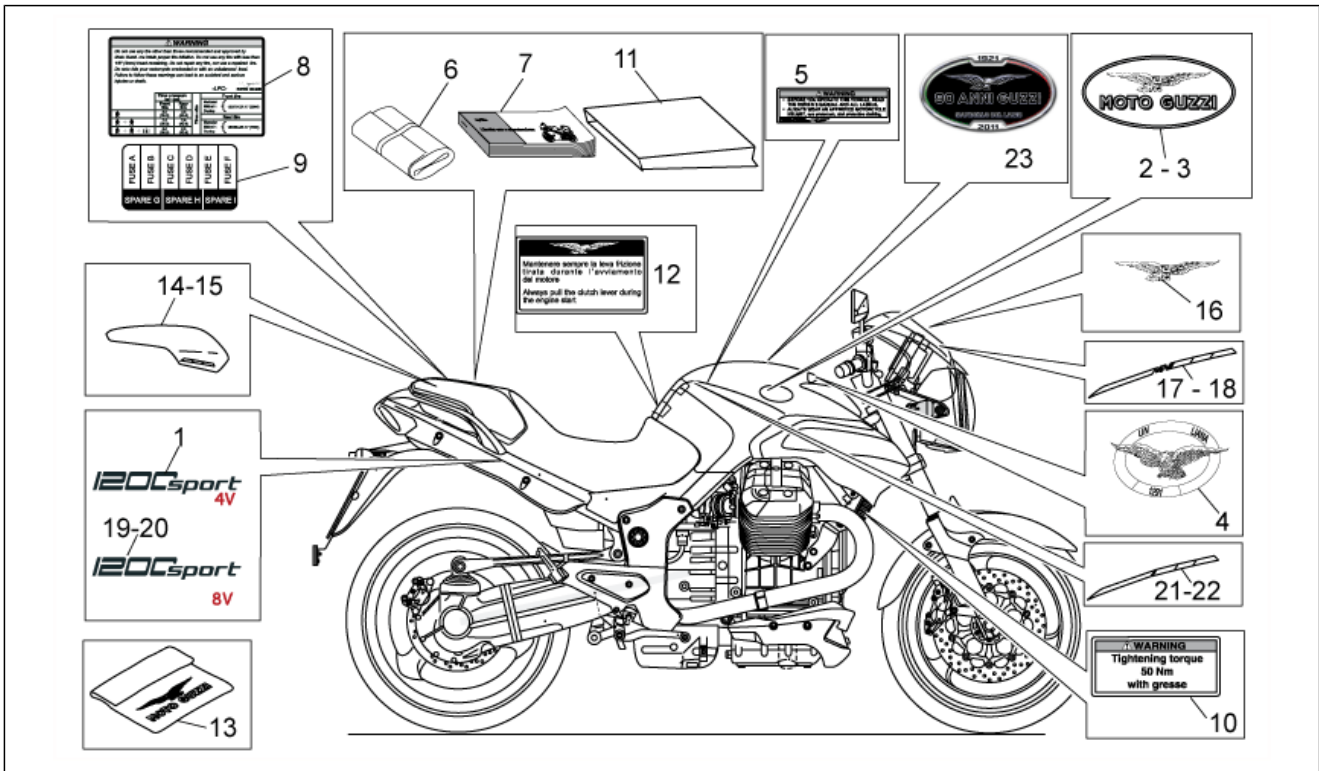
<b>Group</b>	FRAME
<b>Code</b>	33.42
<b>Description</b>	Plate set-decal-op.handbooks
<b>Service</b>	1



Pos.	Code	Description	Qty	Variants
1	883483	Decal 1200 Sport 4V	2	Vehicle colour:Guzzi Black 2008[g/bl], Silver crowd 2008[s/cr]
2	GU06917400	LH Name plate,red/gold AL	1	
3	GU06917300	RH Name plate,red/gold AL	1	
4	GU05917530	Decal "Italian Story"	1	Vehicle colour:Guzzi Black 2008[g/bl], Silver crowd 2008[s/cr]
5	GU30944300	Decal "Attention"	1	
6	978882	Toolkit	1	
7	883438	Operator's handbook I-F-D-NL	1	Country:Other country[EU], Great Britain[UK]
8	GU05926030	Tyre pressure decal	1	
9	GU05945030	Sticker "schema fusibili"	1	
10	GU05944530	Decal Warning	1	
11	GU05900130	Bag for document	1	
12	GU05944930	Decal Engine Start	1	
13	GU30970200	Bike cover	1	
14	883531	LH numberplate	1	Vehicle colour:Guzzi Black 2008[g/bl], Silver crowd 2008[s/cr] Technical Specifications:Without decals applied[ND]
14	886952	LH numberplate	1	Vehicle colour:Rosso/Bianco 2011[r/wh] Technical Specifications:Without decals applied[ND]
15	883530	RH numberplate	1	Vehicle colour:Guzzi Black 2008[g/bl], Silver crowd 2008[s/cr] Technical Specifications:Without decals applied[ND]
15	886951	RH numberplate	1	Vehicle colour:Rosso/Bianco 2011[r/wh] Technical Specifications:Without decals applied[ND]
16	886340	RH Name plate Aquila	1	
16	977820	Decal "Eagle"	1	Vehicle colour:Guzzi Black 2008[g/bl], Silver crowd 2008[s/cr]
17	883529	LH Windshield decal	1	Vehicle colour:Guzzi Black 2008[g/bl], Silver crowd 2008[s/cr]
17	886948	LH Windshield decal	1	Vehicle colour:Rosso/Bianco 2011[r/wh]



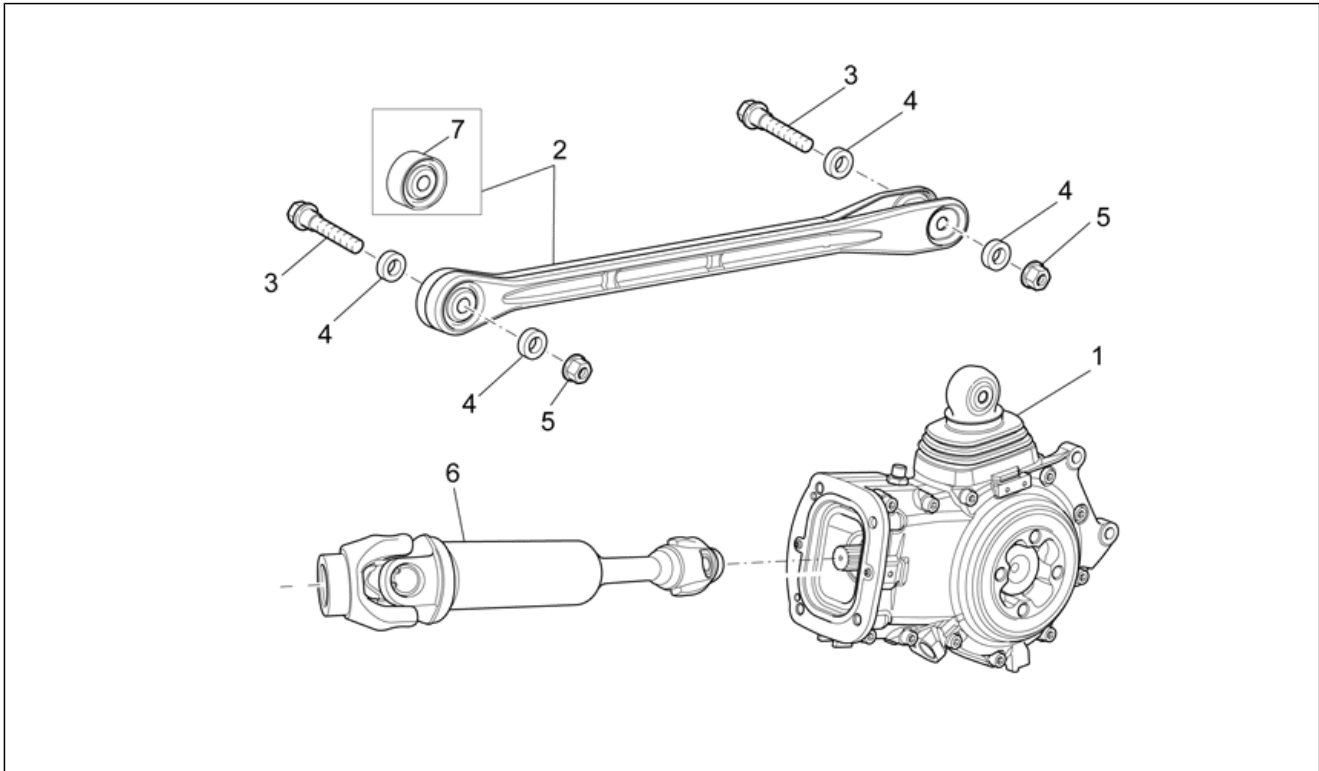
<b>Group</b>	FRAME
<b>Code</b>	33.42
<b>Description</b>	Plate set-decal-op.handbooks
<b>Service</b>	1



Pos.	Code	Description	Qty	Variants
18	883528	RH Windshield decal	1	Vehicle colour:Guzzi Black 2008[g/bl], Silver crowd 2008[s/cr]
18	886947	RH Windshield decal	1	Vehicle colour:Rosso/Bianco 2011[r/wh]
19	886949	RH decal 1200 Sport 8V	1	Vehicle colour:Rosso/Bianco 2011[r/wh]
20	886950	Sticker LH 1200 Sport 8V	1	Year:2010[A]
21	886945	Gold line sticker DX	1	Vehicle colour:Rosso/Bianco 2011[r/wh]
22	886946	Gold line sticker SX	1	Vehicle colour:Rosso/Bianco 2011[r/wh]
23	886944	Decal "90 Anni Guzzi"	1	

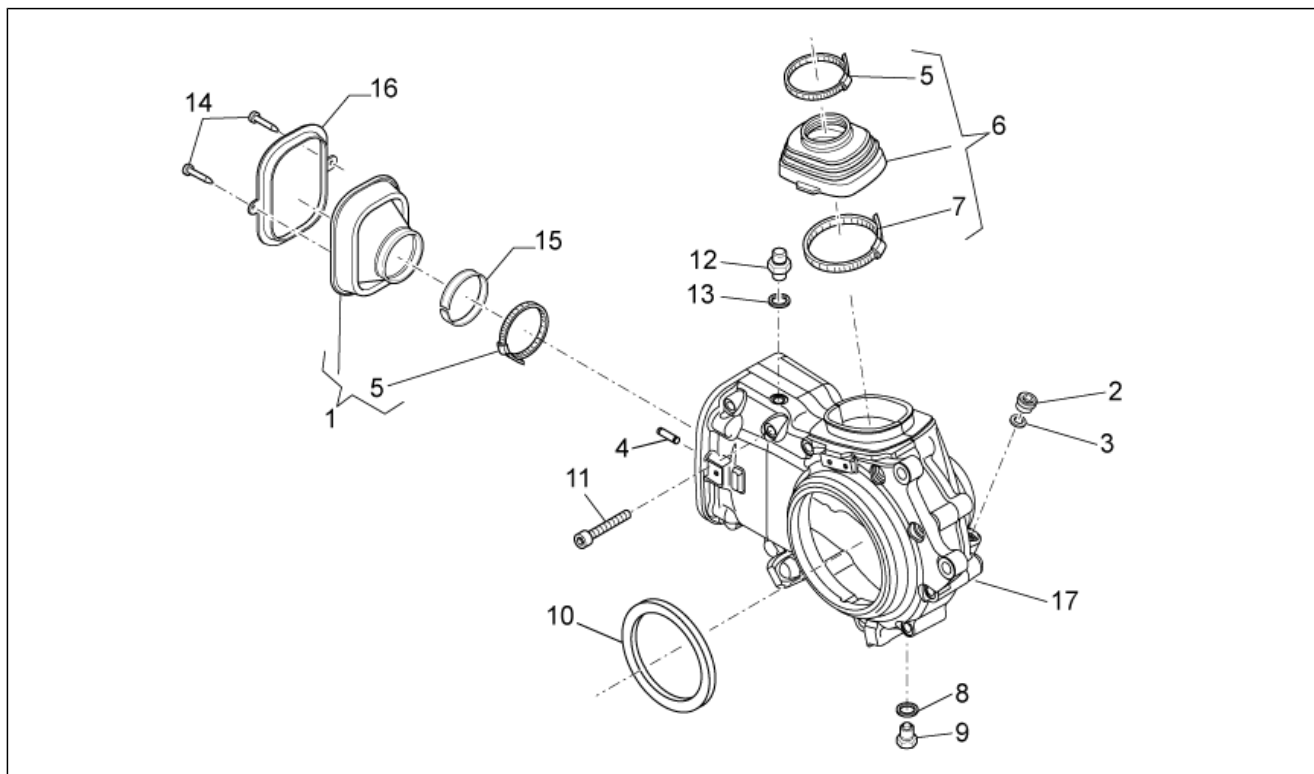


<b>Group</b>	ENGINE
<b>Code</b>	34.09
<b>Description</b>	Transmission complete
<b>Service</b>	1



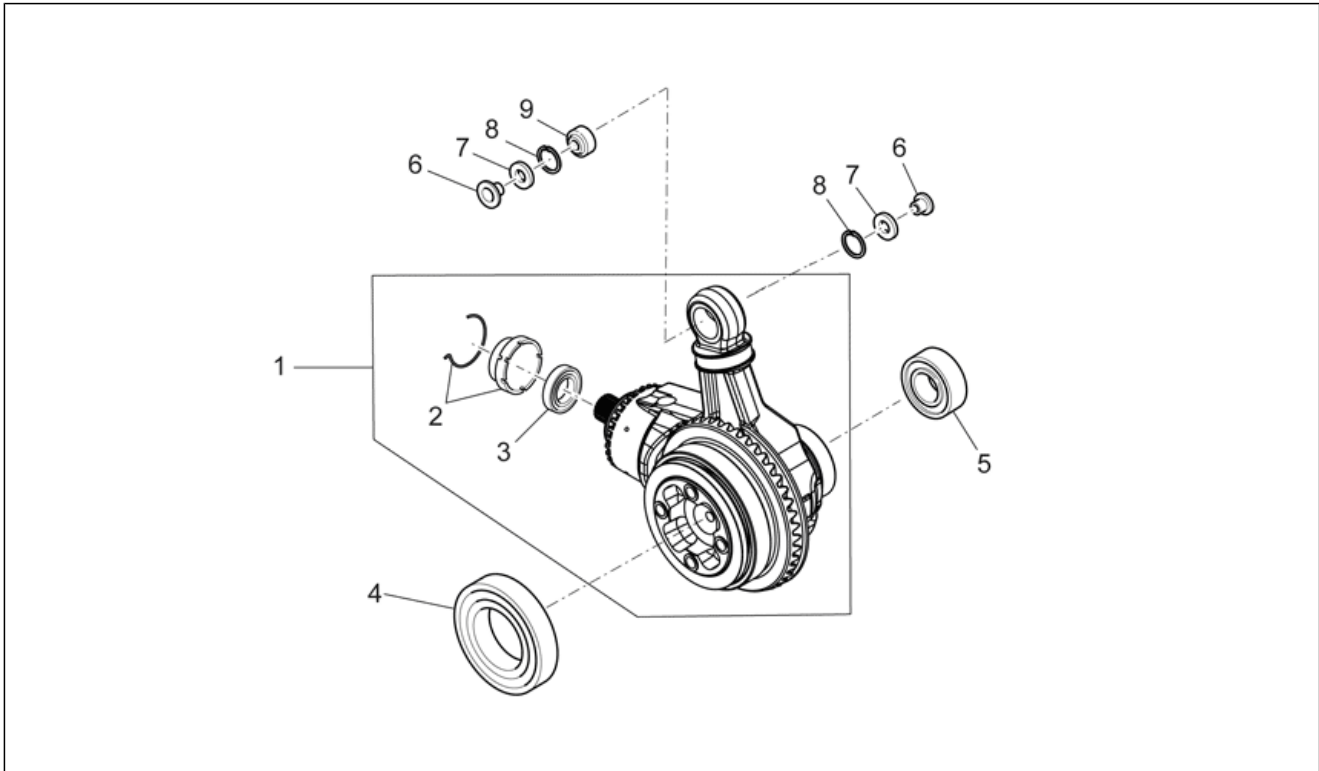
Pos.	Code	Description	Qty	Variants
1	976570	Transmission complete black	1	
2	883046	Reaction rod assy.	1	
3	AP8152410	Screw w/ flange M10x55	2	
4	AP8121218	Spacer 10,2x20x4	3	
5	AP8152242	Nut	2	
6	GU05326330	Drive shaft	1	
7	883045	Silent-block	1	

<b>Group</b>	ENGINE
<b>Code</b>	34.10
<b>Description</b>	Trans.cpl.-Cage
<b>Service</b>	1



Pos.	Code	Description	Qty	Variants
1	GU05358330	Upper dust cover	1	
2	GU05351230	Oil plug M12x1,5	1	
3	GU90718120	Washer	1	
4	GU95510620	Pin 6x20	2	
5	GU05358130	Hose clamp	2	
6	GU05358030	Upper dust cover	1	
7	GU05358230	Hose clamp	1	
8	GU01528930	Gasket 10x18x1,5	1	
9	GU31003766	Oil unload plug M10x1	1	
10	GU90408511	Gasket ring 85x110x8BASL	1	
11	GU98680450	Hex socket screw M8x50	11	
12	GU05206530	Breather plug	1	
13	GU01528930	Gasket 10x18x1,5	1	
14	GU99210406	screw M3,9x6,5	2	
15	GU05358530	Ring	1	
16	GU05358630	Gasket	1	
17	978392	Transmission housingblack	1	

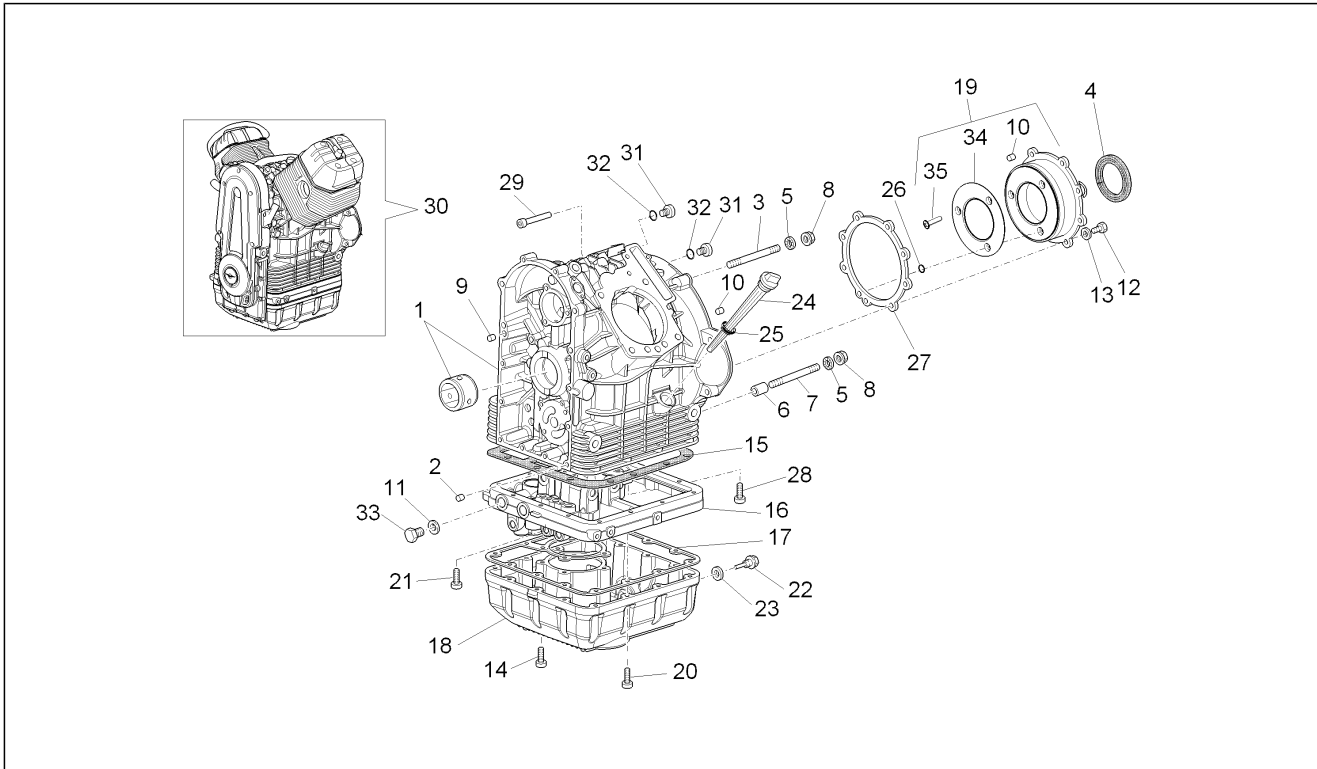
<b>Group</b>	ENGINE
<b>Code</b>	34.11
<b>Description</b>	Trans.cpl.-Bevel gear
<b>Service</b>	1



Pos.	Code	Description	Qty	Variants
1	976581	Bevel gear kit 12/44	1	
2	GU05352430	Ring nut	1	
3	GU90404558	Gasket ring 45x58x7	1	
4	GU92208518	Ball bearing 85x120x18	1	
5	GU92204230	Ball bearing 30x62x16	1	
6	AP8121098	Bush	2	
7	AP8120485	Gasket ring	2	
8	GU90273026	Circlip	2	
9	GU05638130	Ball joint	1	



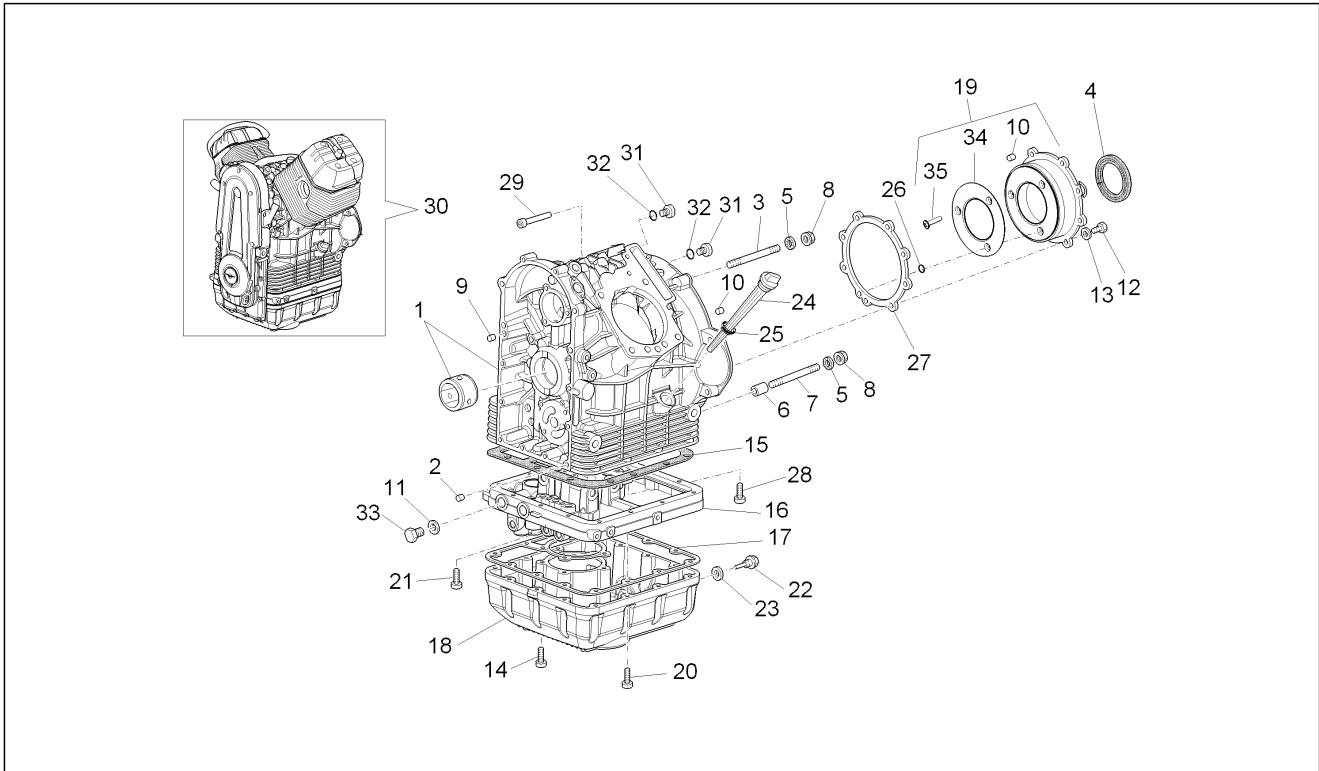
<b>Group</b>	ENGINE
<b>Code</b>	34.43
<b>Description</b>	Crank-case I
<b>Service</b>	1



Pos.	Code	Description	Qty	Variants
1	976539	Crankcase black	1	
2	411209	Pin	2	
3	GU96508066	Stud bolt M8X66	3	
4	GU90405367	Gasket ring	1	
5	GU14615901	Washer 8,4X13X0,8	5	
6	GU12018900	Coupling bush	2	
7	GU96508075	Stud bolt M8x75	2	
8	GU92660021	Flanged nut M8	5	
9	GU95512081	Pin	2	
10	560110	Pin	2	
11	GU01154230	Gasket	2	
12	GU98084425	Hex screw M8x25	8	
13	GU61270300	Spring washer 8x15x0,3	8	
14	GU98680335	Hex socket screw M6x35	4	
15	GU01003651	Gasket	1	
16	976502	Flange black	1	
17	GU05003630	Gasket	1	
18	976486	Oil sump black	1	
19	874213	Complete flange	1	
20	AP4ADN000007	Hex socket screw	14	
21	GU98680360	Hex socket screw M6x60	2	
22	GU31003766	Oil unload plug M10x1	1	
23	GU01528930	Gasket 10x18x1,5	1	
24	GU05004930	Oil level plug	1	
25	GU90706178	O-ring 17,86X2,62	1	
26	874980	O-ring 7,5X2	1	
27	874257	Gasket	1	
28	GU98680340	Hex socket screw M6x40	2	

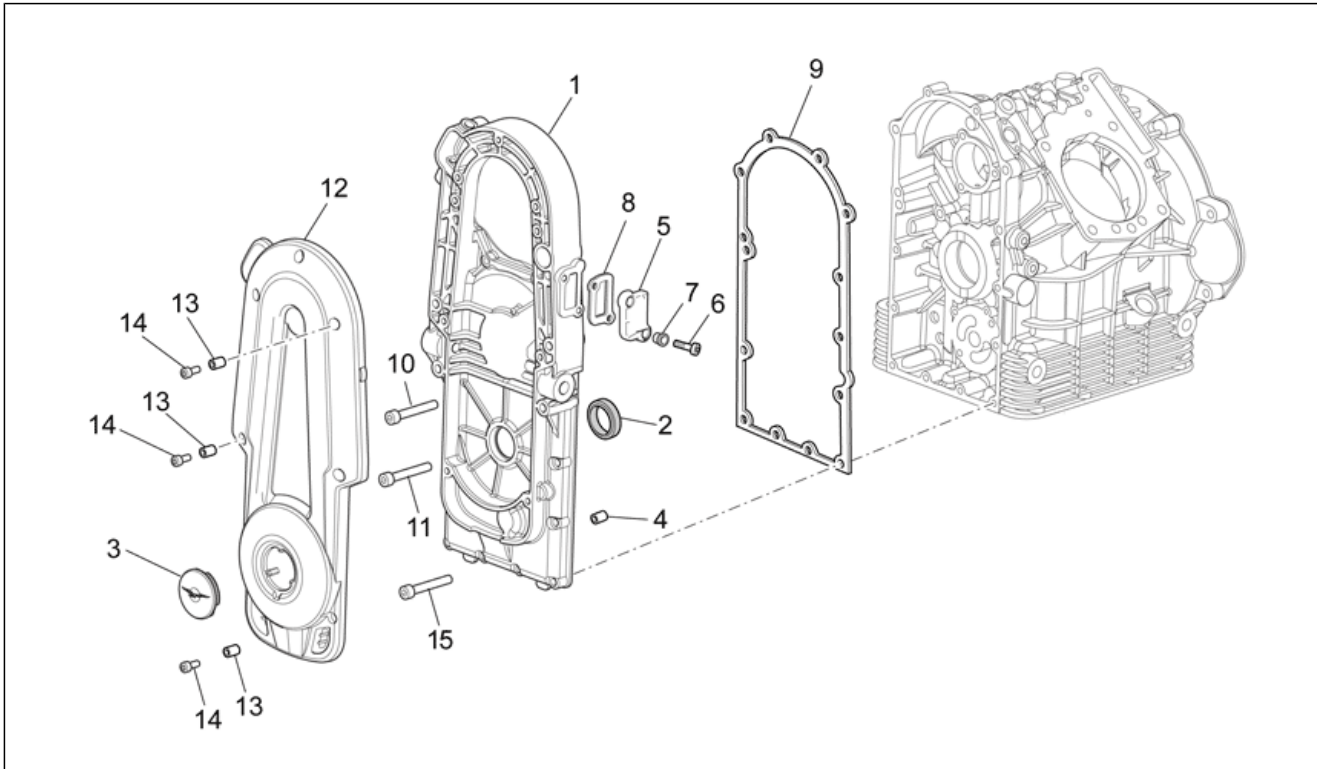


<b>Group</b>	ENGINE
<b>Code</b>	34.43
<b>Description</b>	Crank-case I
<b>Service</b>	1



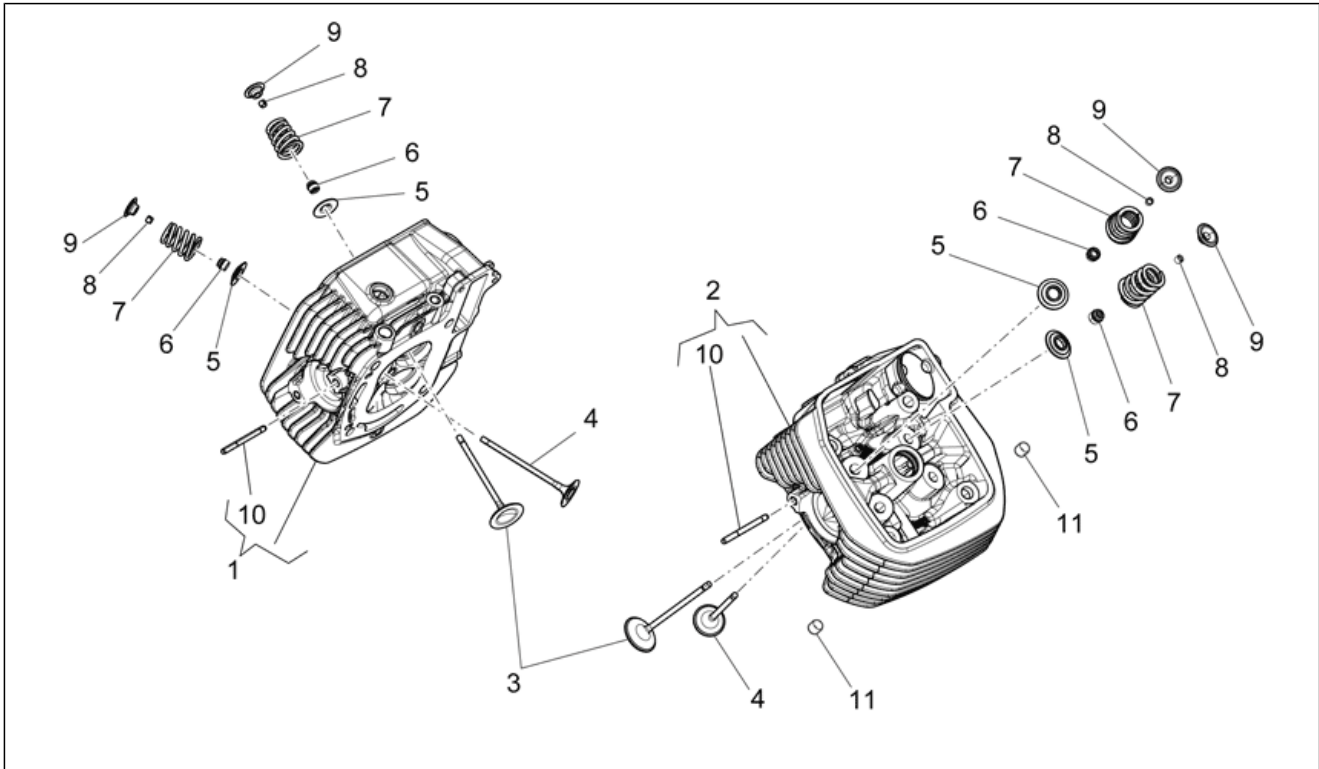
Pos.	Code	Description	Qty	Variants
29	AP8152291	Screw w/ flange	1	
30	976961	Engine cpl.	1	
31	GU12022600	Oil plug	2	
32	GU90706203	O-ring 20,24X2,62	2	
33	GU95980216	Cover	2	
34	874134	Disco recupero olio	1	
35	015935	TBCIC Screw M5x12	3	

<b>Group</b>	ENGINE
<b>Code</b>	34.44
<b>Description</b>	Crank-case II
<b>Service</b>	1



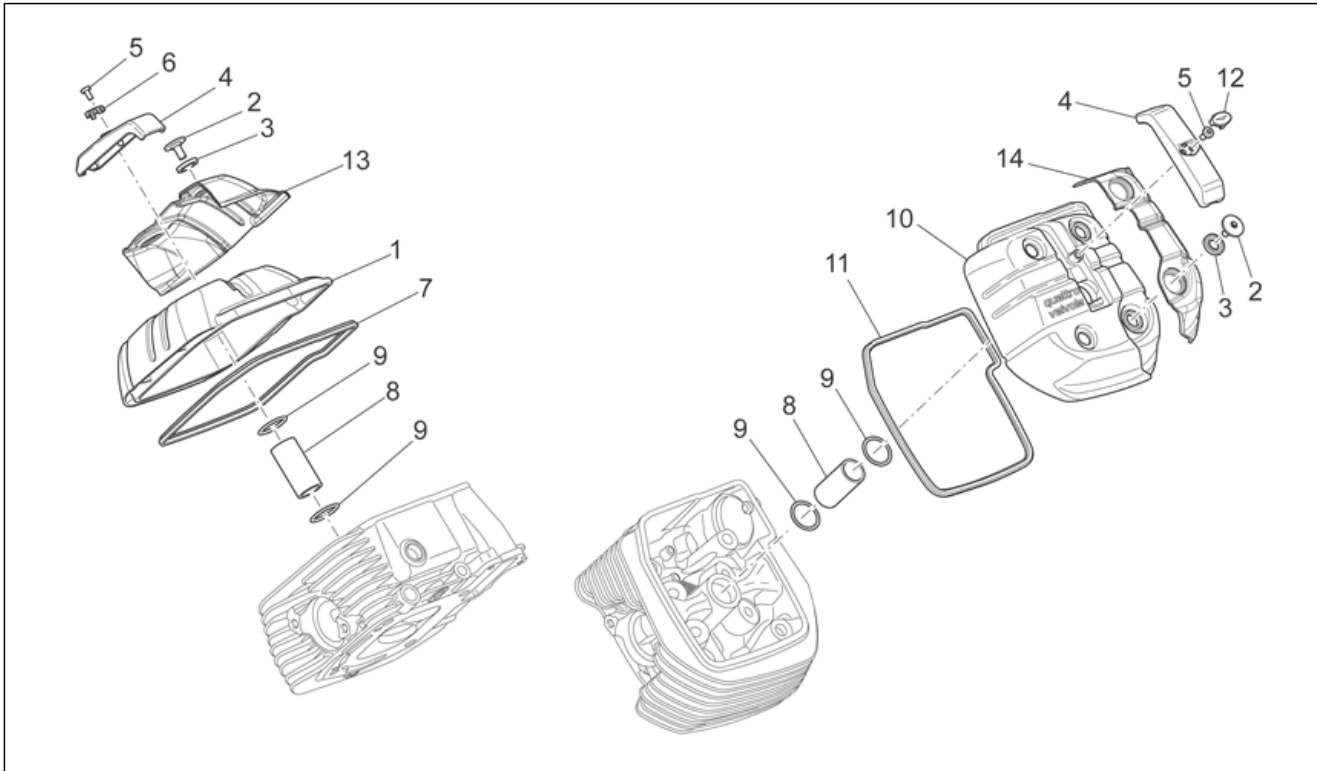
Pos.	Code	Description	Qty	Variants
1	976480	Timing cover black	1	
2	GU90412237	Gasket ring 22x35x7viton	1	
3	GU05002130	Cover	1	
4	825597	Pin 11,8X10	2	
5	976554	Cover	1	
6	GU98682320	Hex socket screw M6x20	2	
7	GU91120607	Bushing 6,4x8,4x10,5	2	
8	GU90706347	O-ring 34,65x1,78viton	1	
9	976478	Cover gasket	1	
10	AP8150046	Hex socket screw M8x55	4	
11	GU98682330	Hex socket screw M6x20	9	
12	GU05001630	Alternator cover grey	1	
13	GU91120606	Bushing 6,8x8,8x5,8	6	
14	GU98682316	Hex socket screw M6x16	5	
15	GU98680335	Hex socket screw M6x35	1	

<b>Group</b>	ENGINE
<b>Code</b>	34.45
<b>Description</b>	Cylinder head - valves
<b>Service</b>	1



Pos.	Code	Description	Qty	Variants
1	872756	RH cylinder head	1	
2	872755	LH cylinder head	1	
3	872695	Intake valve	4	
4	872696	Exhaust valve	4	
5	874127	Lower cup	4	
6	436438	Valve gasket ring	8	
7	874335	Valve spring	8	
8	285846	Valve half-cone	8	
9	874126	Upper cup	8	
10	827018	Exhaust pipe stud bolt M8X3X46	4	
11	825597	Pin 11,8X10	8	

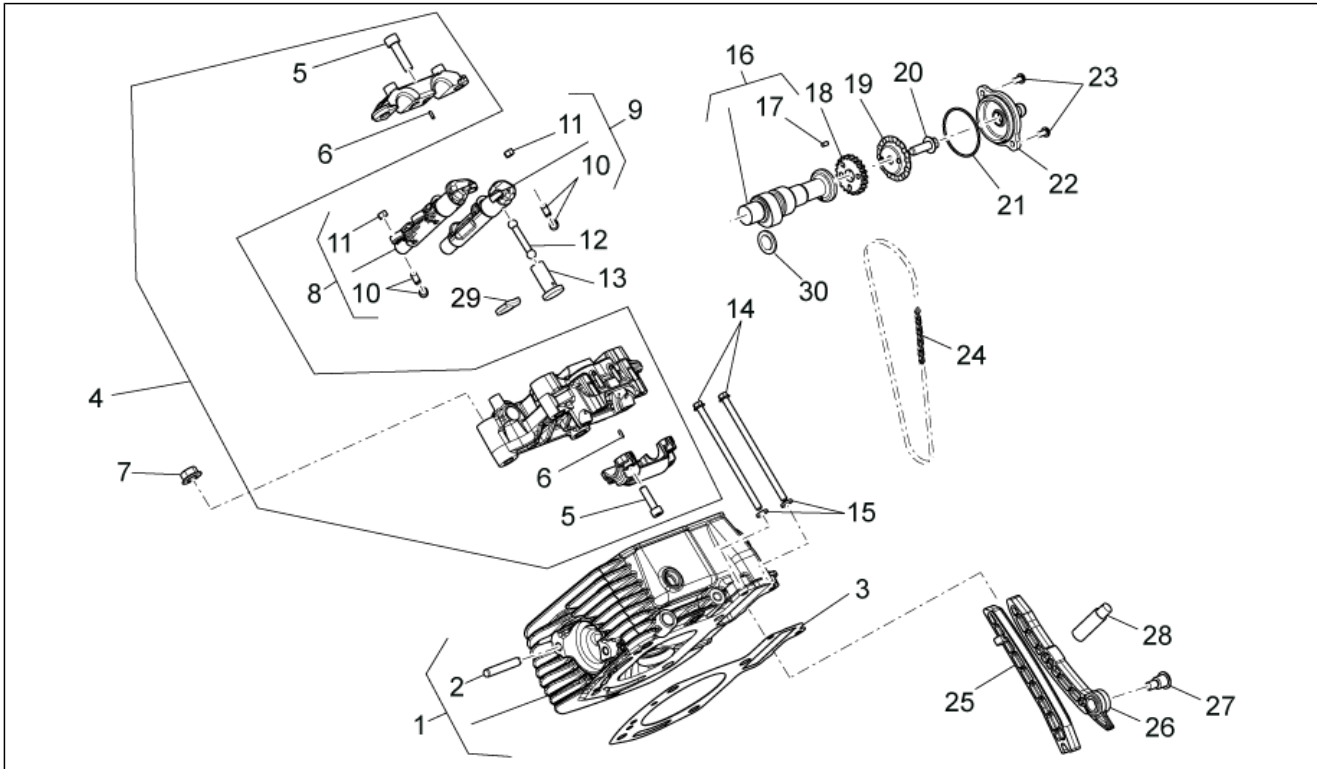
<b>Group</b>	ENGINE
<b>Code</b>	34.46
<b>Description</b>	Head cover
<b>Service</b>	1



Pos.	Code	Description	Qty	Variants
1	872607	RH Head cover	1	
2	976591	Special screw	8	
3	830249	Damper drift	8	
4	872726	Spark plug cover	2	
5	GU98230510	Hex socket screw	2	
6	976560	RH Name plate "Moto Guzzi"	1	
7	872742	RH gasket	1	
8	873668	Spark plug pipe	2	
9	873626	O-ring 26X2,5	4	
10	872606	LH Head cover	1	
11	872741	LH gasket	1	
12	976559	LH Name plate "Moto Guzzi"	1	
13	873654	RH cover	1	
14	872740	LH cover	1	

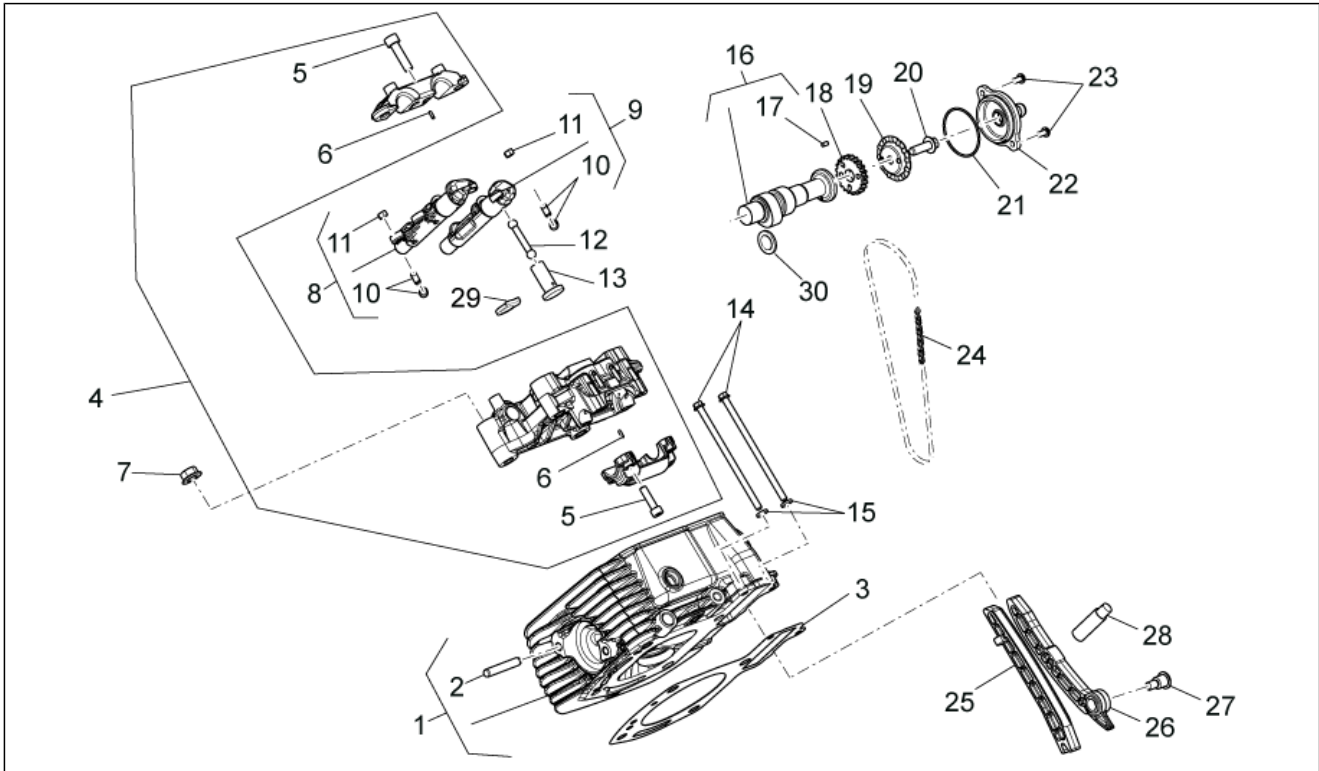


<b>Group</b>	ENGINE
<b>Code</b>	34.47
<b>Description</b>	RH cylinder timing system
<b>Service</b>	1



Pos.	Code	Description	Qty	Variants
1	872756	RH cylinder head	1	
2	827018	Exhaust pipe stud bolt M8X3X46	4	
3	874621	Cylinder head gasket 0,65 mm	2	
3	874622	Cylinder head gasket 0,85 mm	2	
3	976311	Cylinder head gasket 1,05 mm	2	
4	873426	RH.Rocker arm support	1	
5	015792	screw M8x30	6	
6	872759	Pin D. 2,5	4	
7	825694	Nut M10x1,25	8	
8	976359	Rocker arm assy.	1	<b>Technical Specifications:</b> Asta comando bilanciere old[OLD]
8	B013603	Bilanciere aspirazione sx scarico dx	1	<b>Technical Specifications:</b> Asta comando bilanciere new[NEW]
9	976360	Rocker arm assy.	1	<b>Technical Specifications:</b> Asta comando bilanciere old[OLD]
9	B013605	Bilanciere aspirazione dx scarico sx	1	<b>Technical Specifications:</b> Asta comando bilanciere new[NEW]
10	873850	Adjuster screw	4	<b>Technical Specifications:</b> Asta comando bilanciere old[OLD]
10	879707	Adjuster screw	4	<b>Technical Specifications:</b> Asta comando bilanciere new[NEW]
11	484819	Nut	4	<b>Technical Specifications:</b> Asta comando bilanciere old[OLD]
11	879916	Rocker arm adjuster nut	4	<b>Technical Specifications:</b> Asta comando bilanciere new[NEW]
12	873631	Rocker arm rod	2	<b>Technical Specifications:</b> Asta comando bilanciere old[OLD]
12	B015681	Rocker arm rod	2	<b>Technical Specifications:</b> Asta comando bilanciere new[NEW]
13	B014603	Bicchierino per punteria	4	
14	487444	Screw w/ flange M6x120	2	
15	976674	Plain washer 12x6,1x2	2	
16	976698	Camshaft	1	
17	976589	Pin	1	

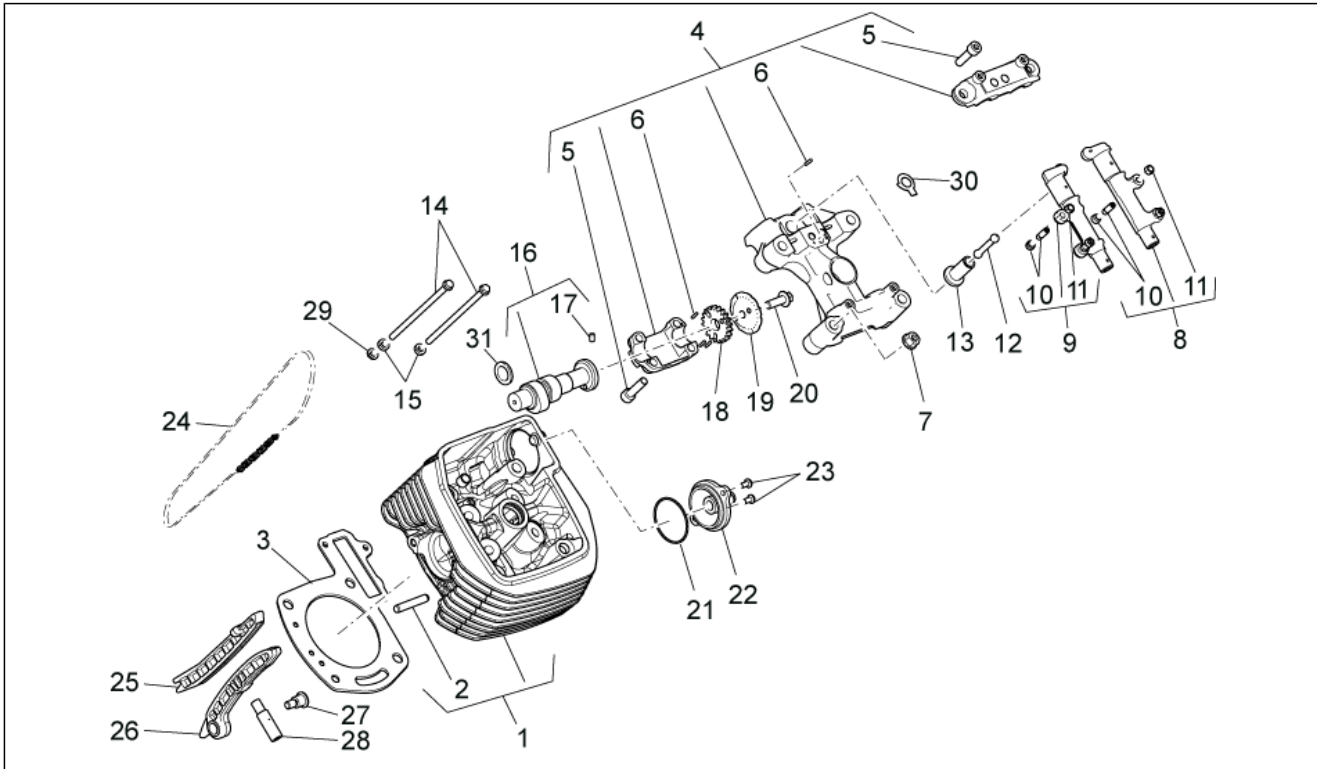
<b>Group</b>	ENGINE
<b>Code</b>	34.47
<b>Description</b>	RH cylinder timing system
<b>Service</b>	1



Pos.	Code	Description	Qty	Variants
18	976350	Timing gear	1	
19	874601	sheet oil breather	1	
20	843060	Screw w/ flange	1	
21	872814	O-ring 47,35X1,78	1	
22	874521	Breather cover cpl.	1	
23	GU98350210	Hex socket screw	2	
24	976341	Camshaft chain	1	
25	976338	Chain guide plate	1	
26	976337	Chain tensioner sliding block	1	
27	974228	Spacer screw	1	
28	873689	RH chain tensioner	1	
29	874805	Plate	1	
30	CM162701	Spacer 1,06	1	
30	CM162702	Spacer 1,08	1	
30	CM162703	Spacer 1,10	1	
30	CM162704	Spacer 1,12	1	
30	CM162705	Spacer 1,14	1	

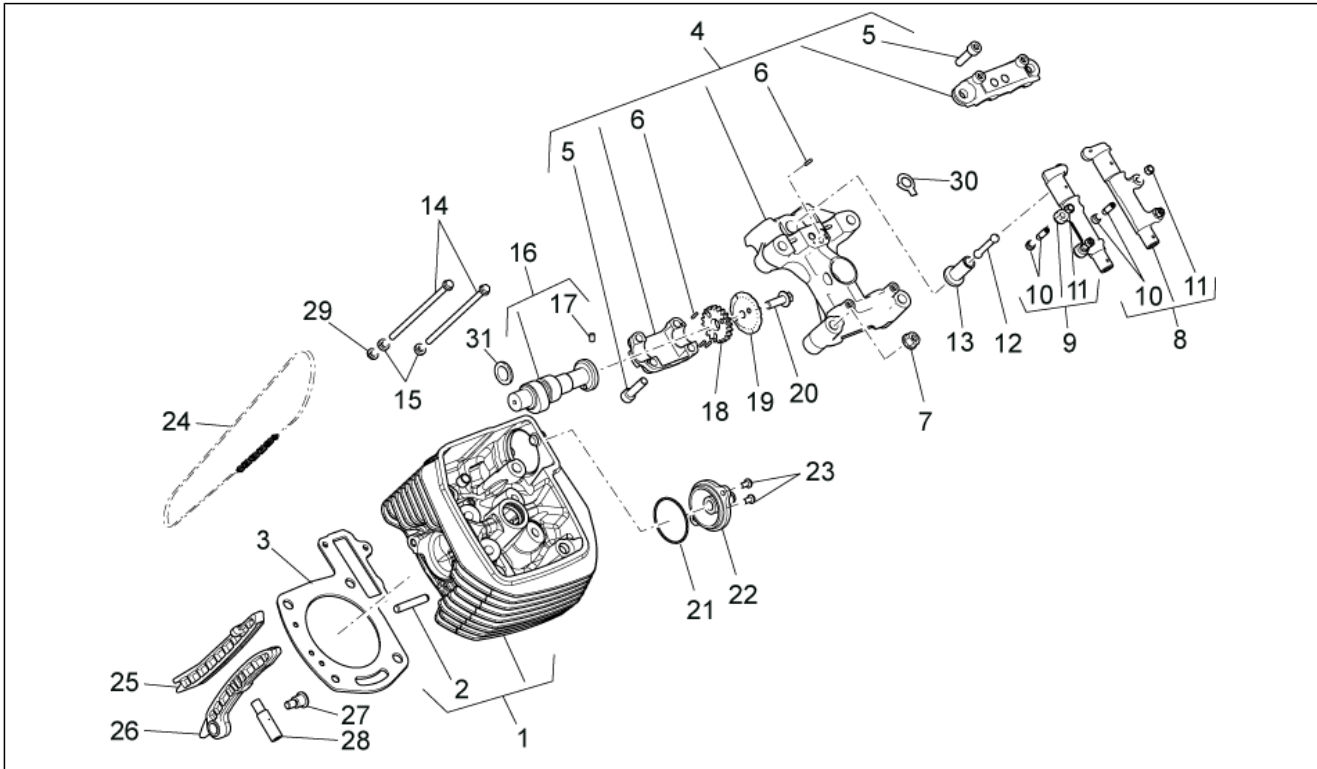


<b>Group</b>	ENGINE
<b>Code</b>	34.48
<b>Description</b>	LH cylinder timing system
<b>Service</b>	1



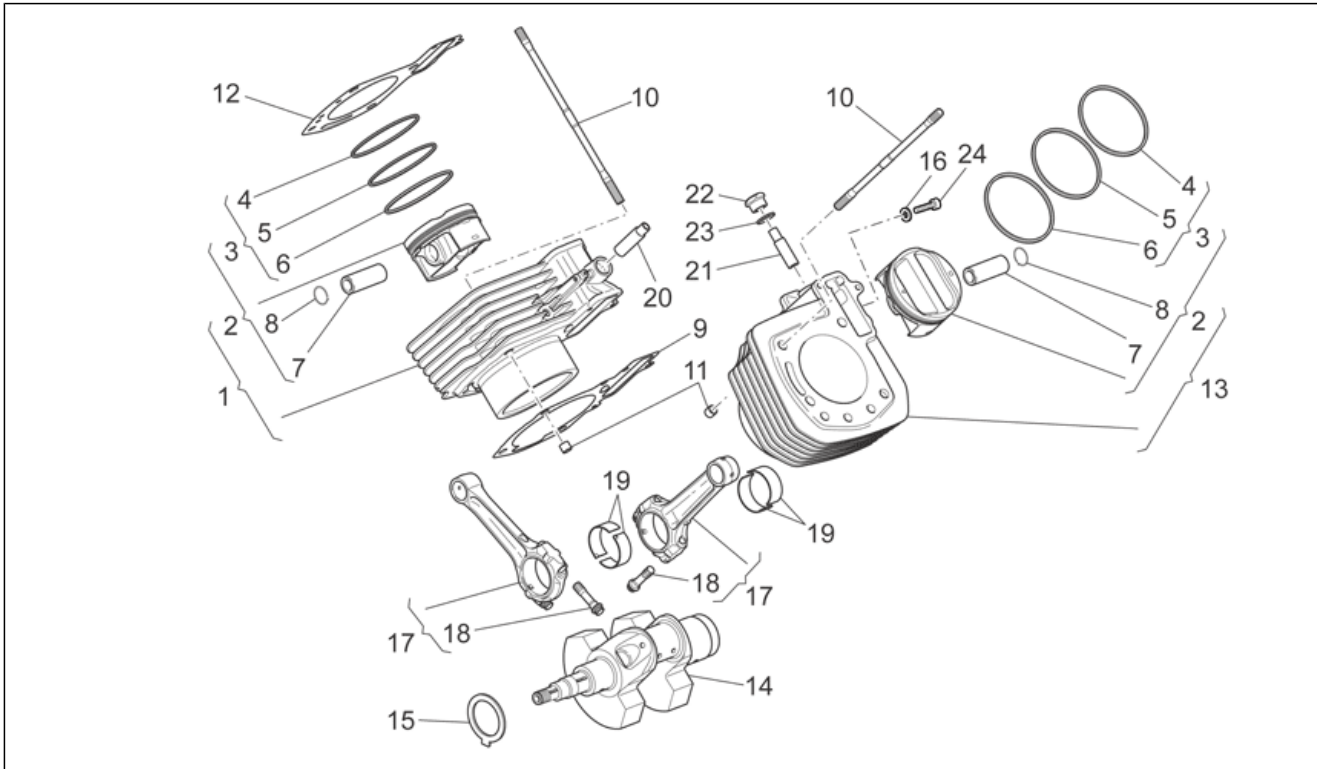
Pos.	Code	Description	Qty	Variants
1	872755	LH cylinder head	1	
2	827018	Exhaust pipe stud bolt M8X3X46	4	
3	874621	Cylinder head gasket 0,65 mm	2	
3	874622	Cylinder head gasket 0,85 mm	2	
3	976311	Cylinder head gasket 1,05 mm	2	
4	873425	LH.Rocker arm support	1	
5	015792	screw M8x30	6	
6	872759	Pin D. 2,5	4	
7	825694	Nut M10x1,25	8	
8	976359	Rocker arm assy.	1	<b>Technical Specifications:</b> Asta comando bilanciere old[OLD]
8	B013603	Bilanciere aspirazione sx scarico dx	1	<b>Technical Specifications:</b> Asta comando bilanciere new[NEW]
9	976360	Rocker arm assy.	1	<b>Technical Specifications:</b> Asta comando bilanciere old[OLD]
9	B013605	Bilanciere aspirazione dx scarico sx	1	<b>Technical Specifications:</b> Asta comando bilanciere new[NEW]
10	873850	Adjuster screw	4	<b>Technical Specifications:</b> Asta comando bilanciere old[OLD]
10	879707	Adjuster screw	4	<b>Technical Specifications:</b> Asta comando bilanciere new[NEW]
11	484819	Nut	4	<b>Technical Specifications:</b> Asta comando bilanciere old[OLD]
11	879916	Rocker arm adjuster nut	4	<b>Technical Specifications:</b> Asta comando bilanciere new[NEW]
12	873631	Rocker arm rod	2	<b>Technical Specifications:</b> Asta comando bilanciere old[OLD]
12	B015681	Rocker arm rod	2	<b>Technical Specifications:</b> Asta comando bilanciere new[NEW]
13	B014603	Bicchierino per punteria	4	
14	487444	Screw w/ flange M6x120	2	
15	976674	Plain washer 12x6,1x2	2	
16	875554	Camshaft	1	
17	976589	Pin	1	

<b>Group</b>	ENGINE
<b>Code</b>	34.48
<b>Description</b>	LH cylinder timing system
<b>Service</b>	1



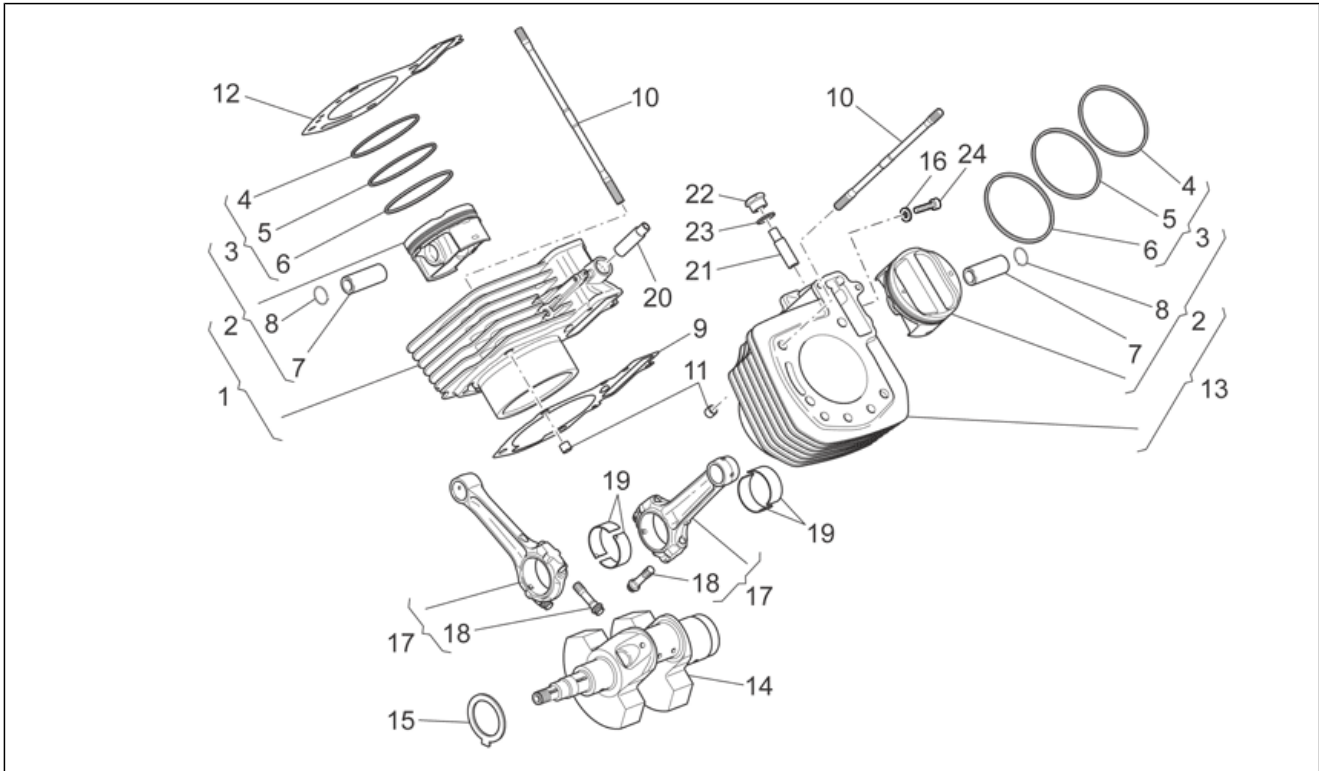
Pos.	Code	Description	Qty	Variants
18	976350	Timing gear	1	
19	874601	sheet oil breather	1	
20	843060	Screw w/ flange	1	
21	872814	O-ring 47,35X1,78	1	
22	874521	Breather cover cpl.	1	
23	GU98350210	Hex socket screw	2	
24	976341	Camshaft chain	1	
25	976338	Chain guide plate	1	
26	976337	Chain tensioner sliding block	1	
27	974228	Spacer screw	1	
28	873690	LH chain tensioner	1	
29	244585	Spacer	1	
30	874805	Plate	1	
31	CM162701	Spacer 1,06	1	
31	CM162702	Spacer 1,08	1	
31	CM162703	Spacer 1,10	1	
31	CM162704	Spacer 1,12	1	
31	CM162705	Spacer 1,14	1	

<b>Group</b>	ENGINE
<b>Code</b>	34.49
<b>Description</b>	Drive shaft - Cylinder
<b>Service</b>	1



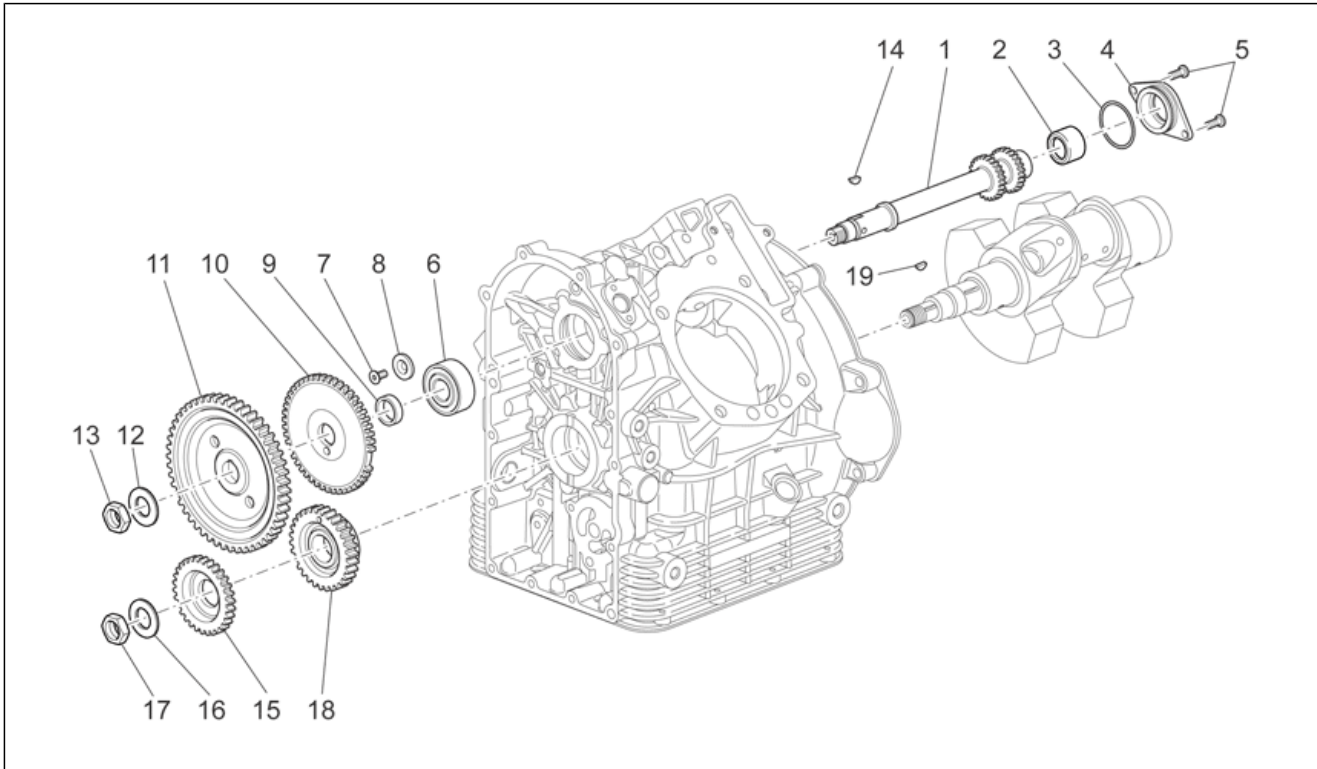
Pos.	Code	Description	Qty	Variants
1	981008	Cylinder with piston assy., RH	1	
2	873667	Piston D95 cpl	2	
3	981009	Pistonring set	2	
4	874287	Piston ring	2	
5	874288	Piston ring	2	
6	874289	Piston ring	2	
7	874286	Piston pin	2	
8	874567	Stop ring	4	
9	976312	Cylinder base gasket	2	
10	976304	Stud bolt	8	
11	825597	Pin 11,8X10	4	
12	874621	Cylinder head gasket 0,65 mm	2	
12	874622	Cylinder head gasket 0,85 mm	2	
12	976311	Cylinder head gasket 1,05 mm	2	
13	981007	Cylinder with piston assy., LH	1	
14	B0133785001	Shaft assy	1	<b>Technical Specifications:</b> Colore selezione Marrone[C1]
14	B0133785002	Shaft assy	1	<b>Technical Specifications:</b> Colore selezione Verde[C2]
14	B0133785003	Shaft assy	1	<b>Technical Specifications:</b> Colore selezione Nero[C3]
15	874293	Thrust washer	1	
16	GU95100116	Washer 6,25x10x1,5	1	
17	8783390001	Connecting rod cpl.	2	<b>Technical Specifications:</b> Colore selezione Marrone[C1]
17	8783390002	Connecting rod cpl.	2	<b>Technical Specifications:</b> Colore selezione Verde[C2]
17	8783390003	Connecting rod cpl.	2	<b>Technical Specifications:</b> Colore selezione Nero[C3]
18	849131	Connecting rod screw	4	
19	875243	Bearing half-shell 1,535-1,540	4	<b>Technical Specifications:</b> Red sign[RS]
19	875244	Bearing half-shell 1,539-1,544	4	<b>Technical Specifications:</b> Blue sign[BS]
20	873689	RH chain tensioner	1	
21	873690	LH chain tensioner	1	

<b>Group</b>	ENGINE
<b>Code</b>	34.49
<b>Description</b>	Drive shaft - Cylinder
<b>Service</b>	1



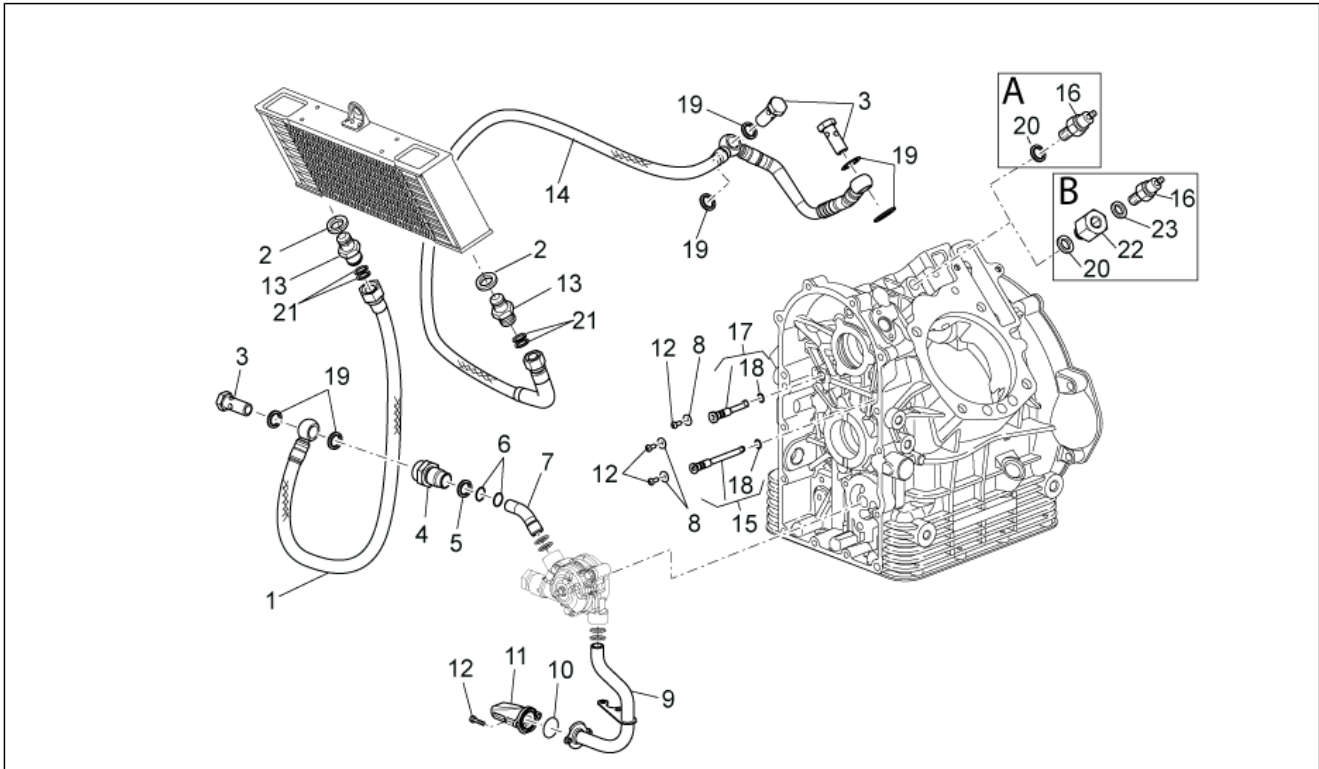
Pos.	Code	Description	Qty	Variants
22	976342	Chain tension.plug	2	
23	849866	Washer	2	
24	GU98350310	Hex socket screw M6x20	1	

<b>Group</b>	ENGINE
<b>Code</b>	34.50
<b>Description</b>	Timing system
<b>Service</b>	1



Pos.	Code	Description	Qty	Variants
1	976330	Timing system	1	
2	976381	Roller cage 25x32x12	1	
3	976488	O-ring 37,82x1,78	1	
4	976331	Flange	1	
5	GU98350315	Hex socket screw M6x14	2	
6	976355	Ball bearing 20x47x18	1	
7	AP8152166	screw M6x16	1	
8	873928	Washer	1	
9	976334	Spacer	1	
10	976538	Wheel speed sensor, left front	1	
11	874281	Timing system gear	1	
12	GU14433400	Spring washer 19x34x1,5	1	
13	GU92750180	Nut M18	1	
14	GU91600450	Transmission key	1	
15	874799	Drive gear	1	
16	976665	Belleville spring	1	
17	GU92602525	Nut M25	1	
18	874280	Drive gear	1	
19	GU91600365	Transmission key 3x6,5	1	

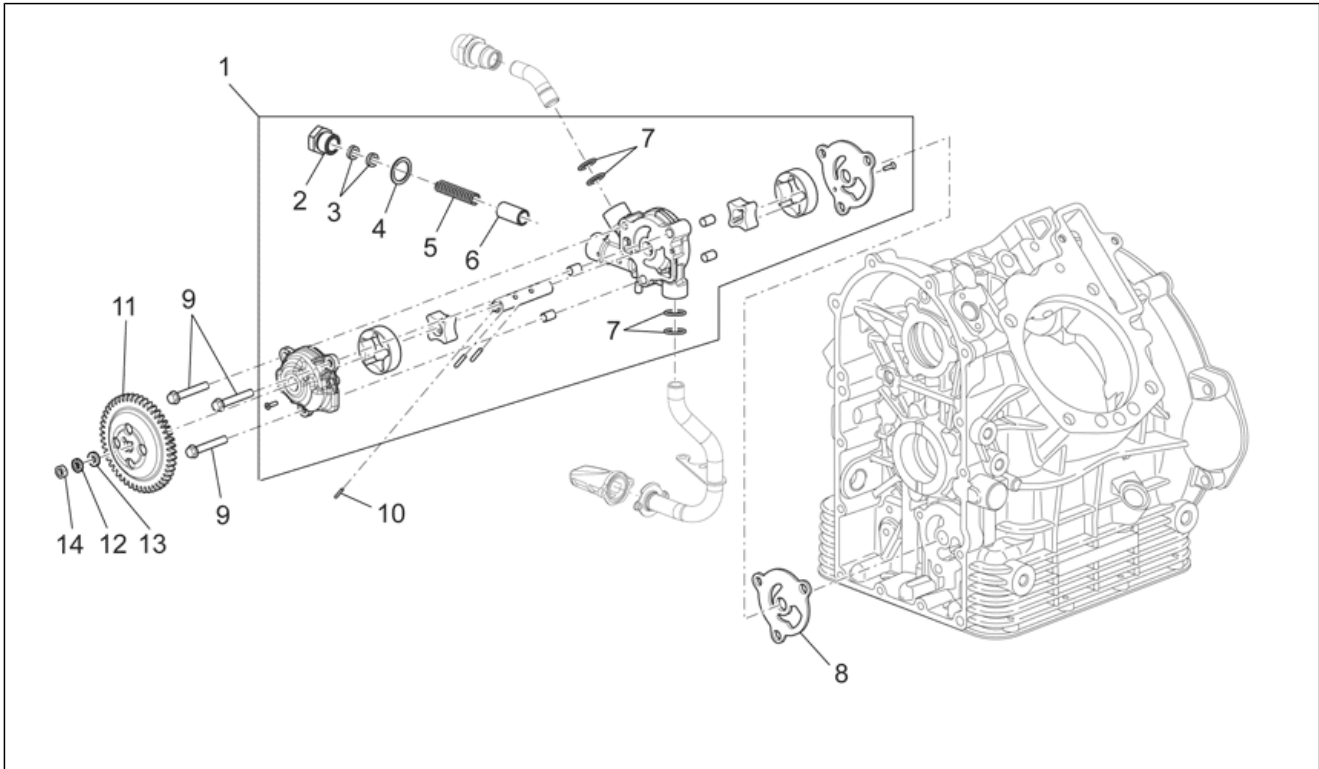
<b>Group</b>	ENGINE
<b>Code</b>	34.51
<b>Description</b>	Lubrication
<b>Service</b>	1



Pos.	Code	Description	Qty	Variants
1	978895	Pipe	1	
2	GU01154230	Gasket	2	
3	874223	Bored screw	3	
4	874669	Nipple	1	
5	976592	Gasket	1	
6	434947	O-ring 12,42x1	2	
7	874646	Oil pipe	1	
8	013763	Flat washer 4,2x12x1	3	
9	874645	Intake pipe	1	
10	969323	O-ring	1	
11	874655	Intake oil filter	1	
12	621914	screw	5	
13	GU01161331	Reduction	2	
14	976625	Pipe	1	
15	976680	LH Nozzle	1	
16	641541	Oil pressure sensor	1	
16	978854	Pressure sensor	1	
17	976681	RH Nozzle	1	
18	874238	O-ring	4	
19	976597	Copper gasket	6	
20	GU12006400	Gasket 12,25	1	
21	981114	O-ring	4	
22	887123	Joint M12x1,5	1	
23	AP9150472	Washer 10,5x17x1,5	1	

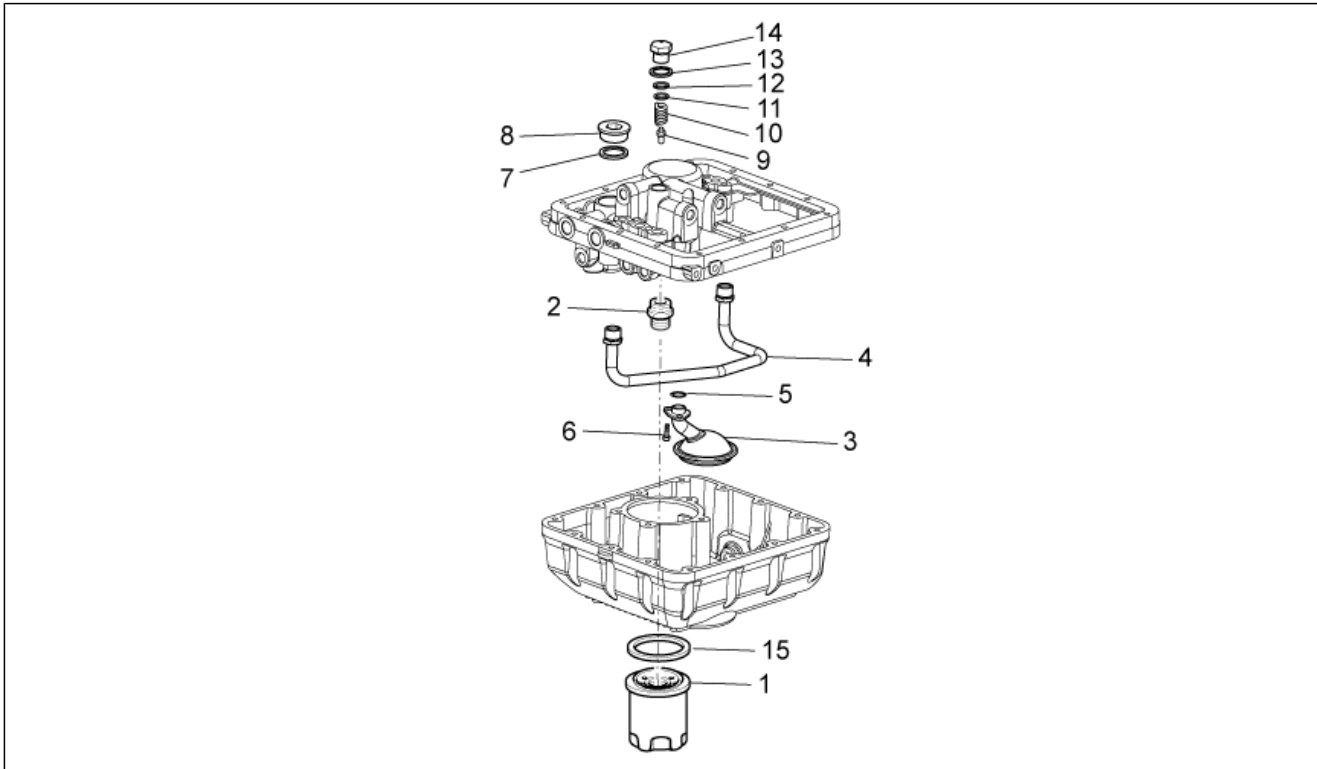


<b>Group</b>	ENGINE
<b>Code</b>	34.52
<b>Description</b>	Oil pump
<b>Service</b>	1



Pos.	Code	Description	Qty	Variants
1	874650	Oil pump assy.	1	
2	GU31159050	Cover	1	
3	GU30158900	Washer	2	
4	GU18144350	Washer 18,25x24x1	1	
5	829486	Spring	1	
6	829661	Oil pressure valve	1	
7	237553	O-ring	4	
8	874482	Gasket	1	
9	414835	screw	3	
10	874801	Pin 2x13,8	1	
11	874616	Oil pump gear	1	
12	GU03013800	Washer 6,4x12	1	
13	GU95005306	Washer 6,4x13x1,5	1	
14	873906	Low nut	1	

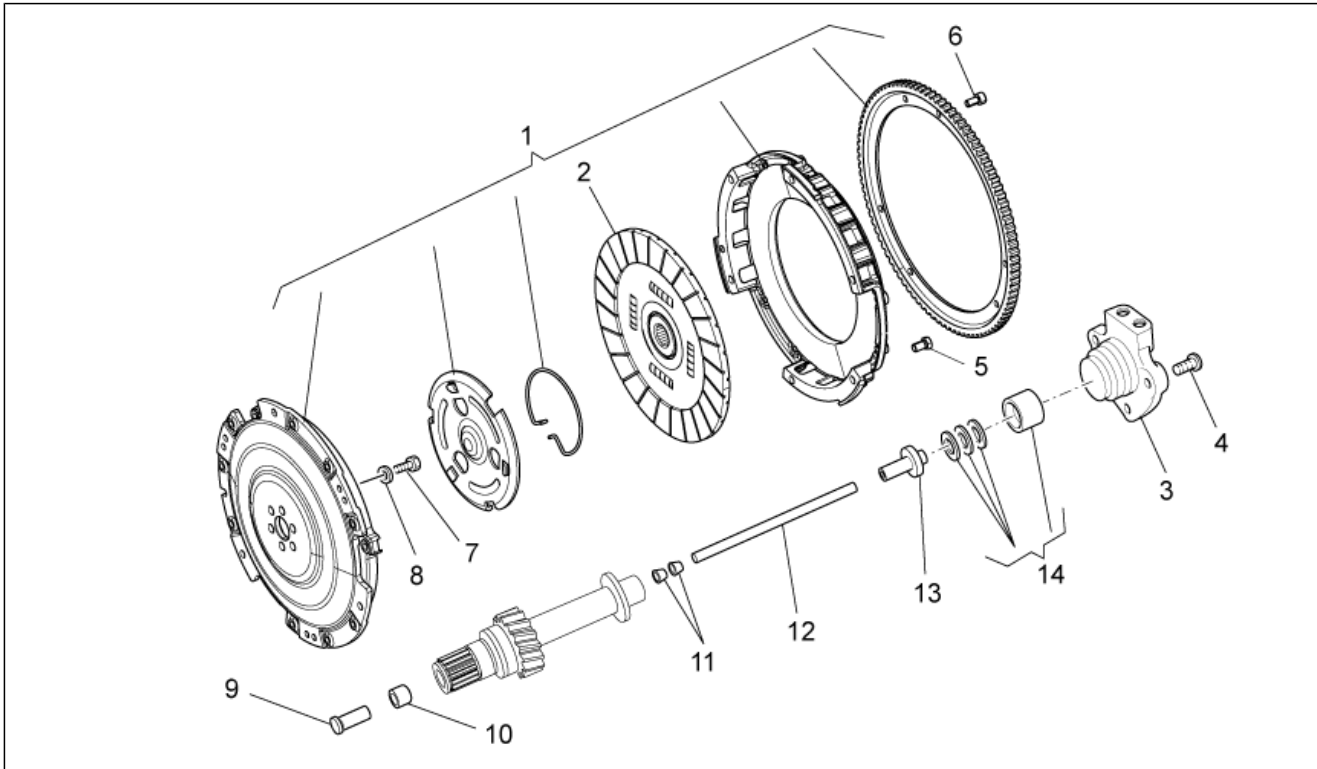
<b>Group</b>	ENGINE
<b>Code</b>	34.53
<b>Description</b>	Oil filters
<b>Service</b>	1



Pos.	Code	Description	Qty	Variants
1	GU30153000	Oil filter	1	
2	829122	Oil filter union	1	
3	GU05152230	Oil filter	1	
4	GU05005730	pipe	1	
5	GU90706151	O-ring 15,08x2,62viton	1	
6	877820	Hex socket screw M6x18	2	
7	GU01163700	Copper gasket	1	
8	GU01163600	Cover	1	
9	GU30150900	Piston	1	
10	GU94321077	Spring	1	
11	GU95008206	Washer 6,15x11x0,8	2	
12	GU30158900	Washer	1	
13	GU18144350	Washer 18,25x24x1	1	
14	GU31159050	Cover	1	
15	981115	Gasket	1	<b>Technical Specifications:</b> Ref. Technical communication n.... [CT1]

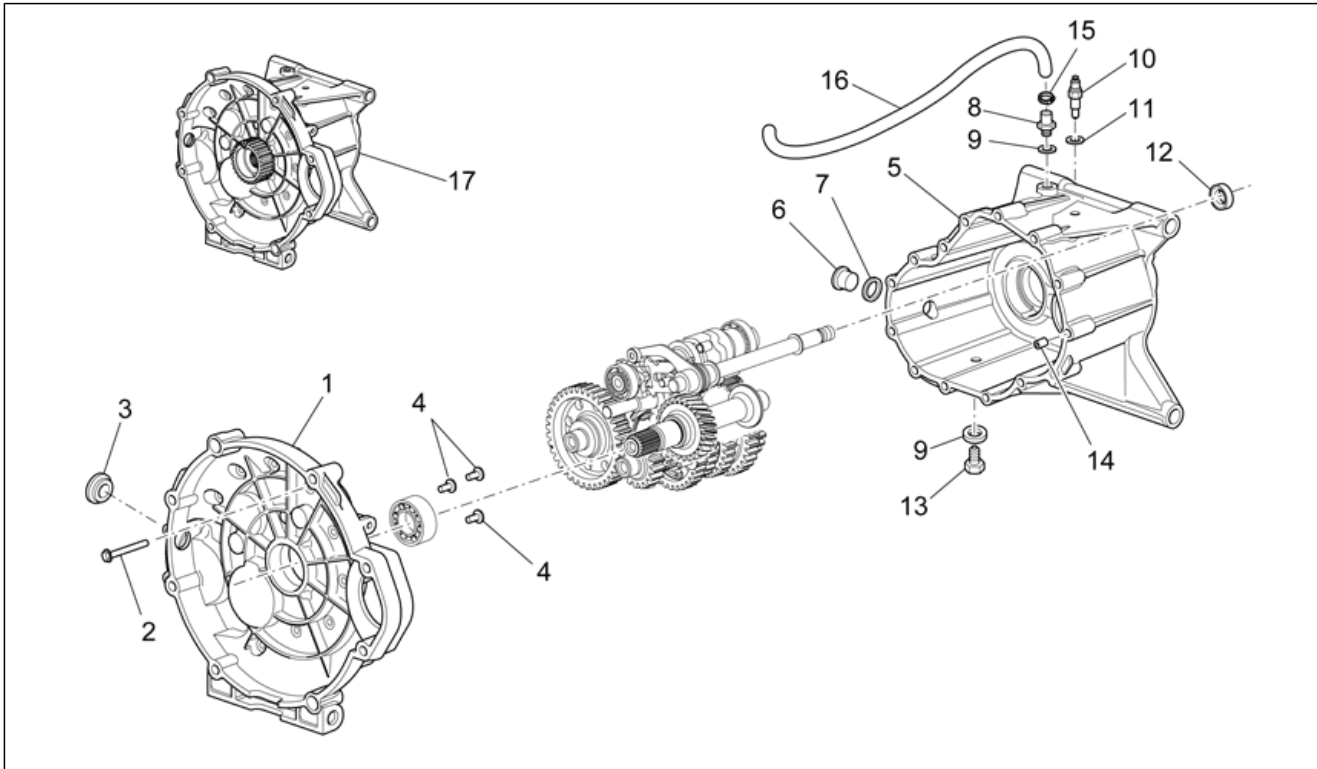


<b>Group</b>	ENGINE
<b>Code</b>	34.54
<b>Description</b>	Clutch
<b>Service</b>	1



Pos.	Code	Description	Qty	Variants
1	976023	Clutch cpl.	1	
2	976053	Clutch disc	1	
3	978739	Clutch command cylinder	1	
4	AP8152278	Screw w/ flange M6x16	3	
5	976535	Hex socket screw M7x16	6	
6	GU98230612	screw	6	
7	976481	Screw w/ flange M8x25	6	
8	976484	Conical spring washer 8,2X15	6	
9	976563	Clutch drive tapped	1	
10	976564	Bushing	1	
11	GU14085900	Bush	2	
12	976593	Rod L=mm183	1	<b>Technical Specifications:</b> An identification cut[1T]
12	976594	Rod L=mm184,5	1	<b>Technical Specifications:</b> Two identification cuts[2T]
12	976595	Rod L=mm186	1	<b>Technical Specifications:</b> Three identification cuts[3T]
12	976596	Rod L=mm187,5	1	<b>Technical Specifications:</b> Four identification cuts[4T]
12	B0630111	Asta L=mm 1 185	1	<b>Technical Specifications:</b> Cinque tagli di identificazione[5T]
12	B063012	Asta L=mm 185,5	1	<b>Technical Specifications:</b> Sei tagli di identificazione[6T]
13	GU14086000	Inner body	1	
14	976696	Engine bearing set	1	

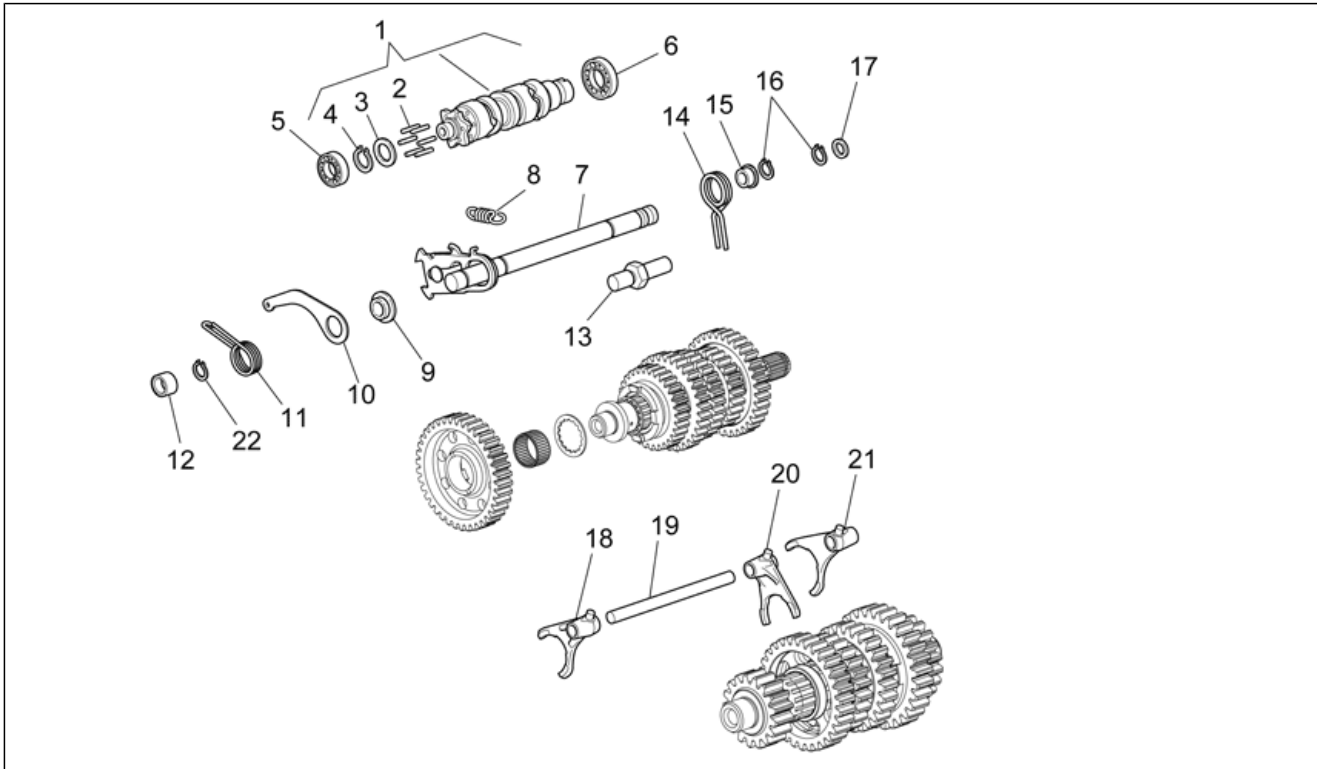
<b>Group</b>	ENGINE
<b>Code</b>	34.55
<b>Description</b>	Transmission cage
<b>Service</b>	1



Pos.	Code	Description	Qty	Variants
1	976453	Clutch drum nero	1	
2	GU97202355	Screw w/ flange M6x55	14	
3	GU93180220	Cover	1	
4	GU98370616	Hex socket screw M6x16 inox	3	
5	976565	Gearbox black	1	
6	GU95980319	Oil plug M18x1,5	1	
7	GU18144350	Washer 18,25x24x1	1	
8	GU05204930	Breather plug	1	
9	GU01528930	Gasket 10x18x1,5	2	
10	GU19207220	Sensor	1	
11	B063025	Guarnizione 8,7x14,2x1,3	1	
12	GU90401424	Gasket ring 14x24x7	1	
13	GU31003766	Oil unload plug M10x1	1	
14	GU19002020	Bushing 6,6x9x13	2	
15	AP8101595	Hose clamp D10,1	1	
16	AP8120952	Fuel pipe 5,5x10	1	
17	976934	Gear box assy	1	

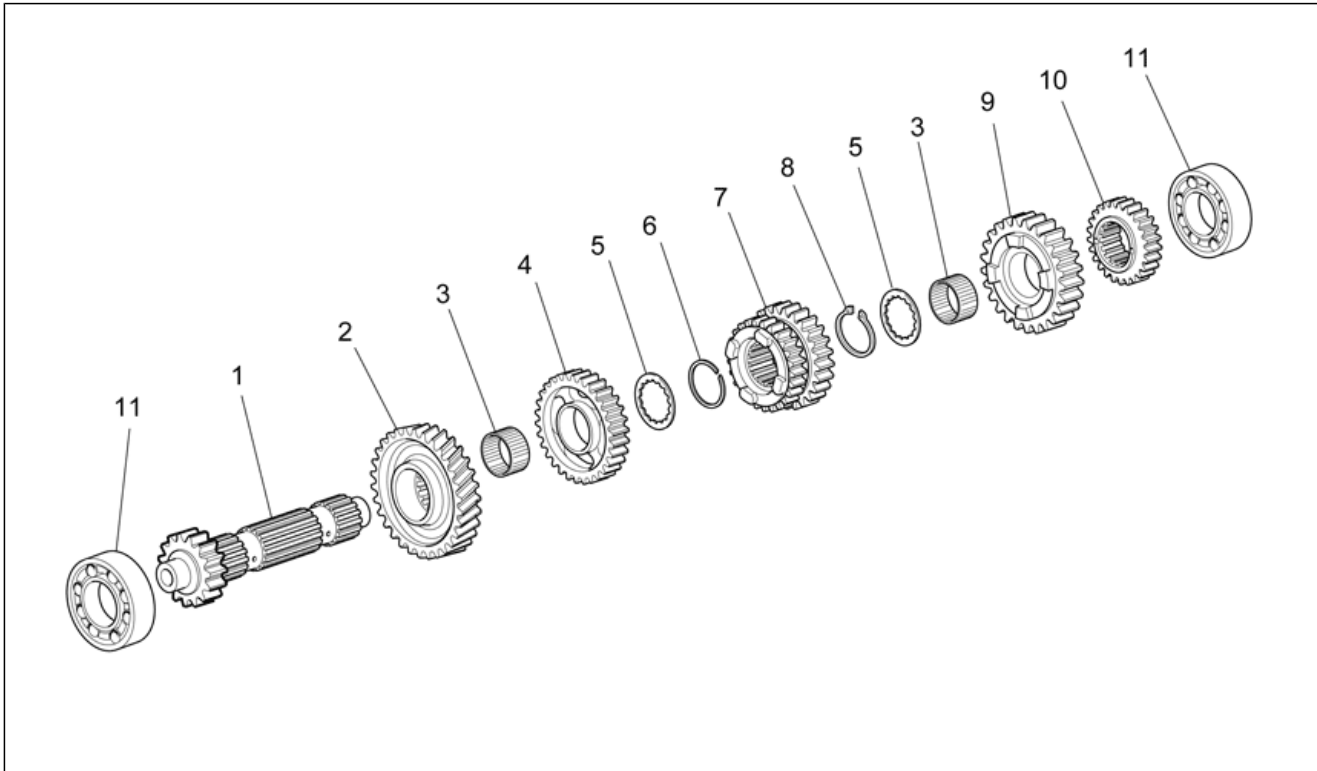


<b>Group</b>	ENGINE
<b>Code</b>	34.56
<b>Description</b>	Gear box selector
<b>Service</b>	1



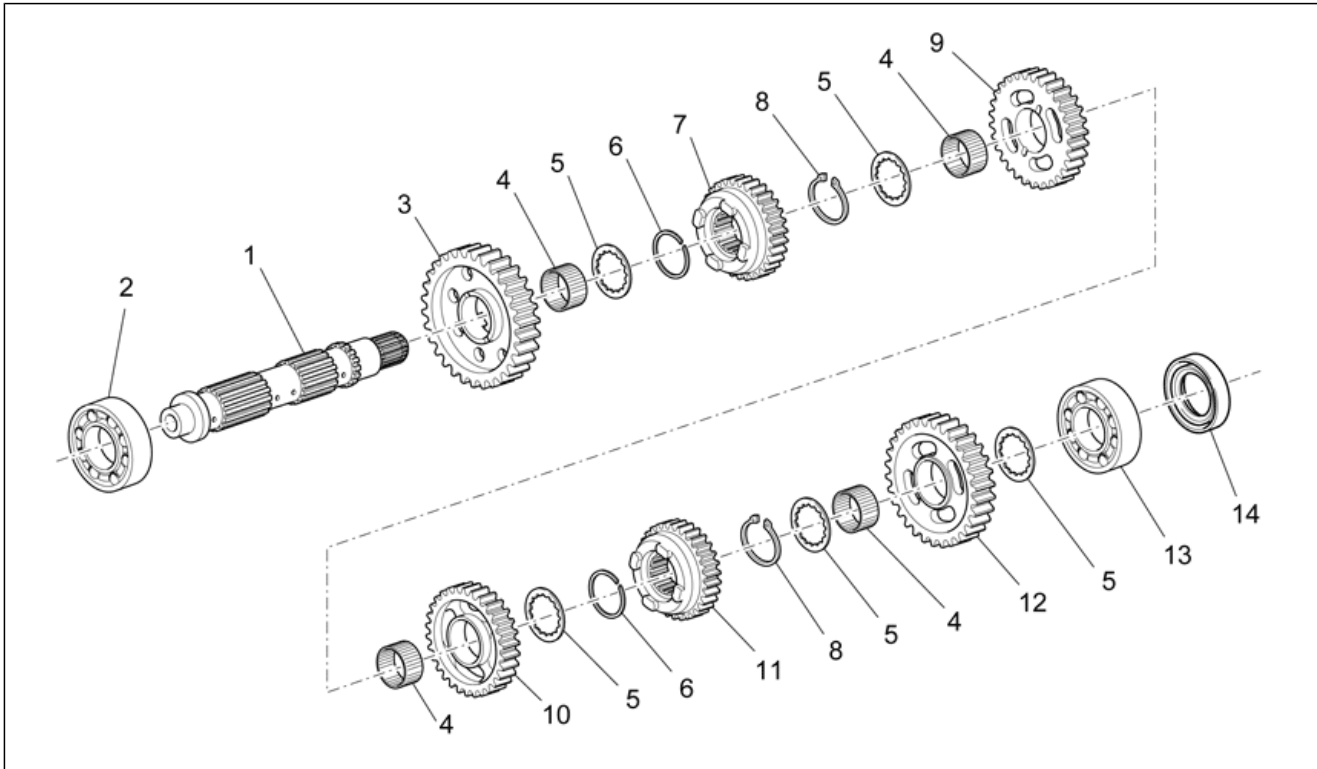
Pos.	Code	Description	Qty	Variants
1	GU05234431	Shift cam cpl.	1	
2	GU05234631	Pin	6	
3	GU05235531	Spacer	1	
4	GU90271022	Circlip	1	
5	GU92201117	Ball bearing 17x35x10	1	
6	GU92201025	Ball bearing 25x42x9	1	
7	GU05236231	Preselection complete	1	
8	GU05238231	Spring	1	
9	GU05238431	Bushing	1	
10	GU05234731	Lever Index	1	
11	GU05234130	Spring	1	
12	GU05234230	Spacer	1	
13	GU05234931	Fixing pin	1	
14	GU05238331	Spring	1	
15	GU05238131	Spacer	1	
16	GU90271014	Circlip	2	
17	GU05239330	Fifth wheel	1	
18	GU05230531	Fork 1a-3a	1	
19	GU05232431	Fork shaft	1	
20	GU05232631	Fork 5a-6a	1	
21	GU05230831	Fork 2a-4a	1	
22	GU90353014	Circlip	1	

<b>Group</b>	ENGINE
<b>Code</b>	34.57
<b>Description</b>	Primary gear shaft
<b>Service</b>	1



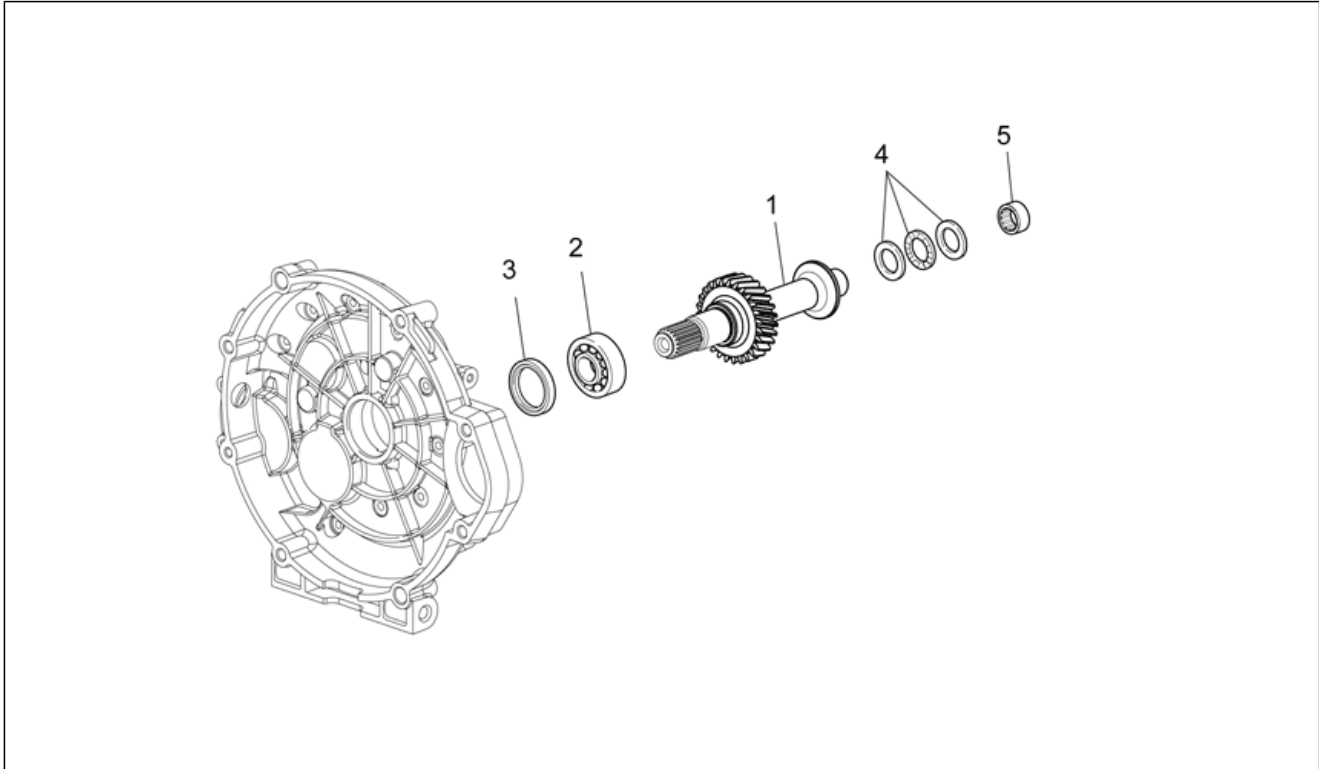
Pos.	Code	Description	Qty	Variants
1	GU05210631	Primary gear shaft Z=17	1	
2	GU05215631	Drive gears Z=35	1	
3	GU92252029	Roller cage 26x30x15,6	2	
4	GU05212031	Gear 5a Z=31	1	
5	GU05214630	Clearance washer	2	
6	GU90271230	Snap ring 30x1,2SW	1	
7	GU05211431	Gear 3a-4a Z=23-26	1	
8	GU90271030	Snap ring 30x27,9	1	
9	GU05212631	Gear 6a Z=29	1	
10	GU05211331	Gear 2a Z=20	1	
11	GU92201822	Ball bearing 20x52x15	2	

<b>Group</b>	ENGINE
<b>Code</b>	34.58
<b>Description</b>	Driven shaft
<b>Service</b>	1



Pos.	Code	Description	Qty	Variants
1	GU05213631	Driven shaft	1	
2	GU92201822	Ball bearing 20x52x15	1	
3	GU05214231	Gear 1a Z=38	1	
4	GU92252029	Roller cage 26x30x15,6	4	
5	GU05214630	Clearance washer	5	
6	GU90271230	Snap ring 30x1,25W	2	
7	GU05214031	Gear 5a Z=30	1	
8	GU90271030	Snap ring 30x27,9	2	
9	GU05214731	Gear 3a Z=31	1	
10	GU05215031	Gear 4a Z=29	1	
11	GU05220531	Gear 6a Z=25	1	
12	GU05214431	Gear 2a Z=34	1	
13	GU92201226	Ball bearing 25x52x15	1	
14	GU90412541	Gasket ring 25X40X7	1	

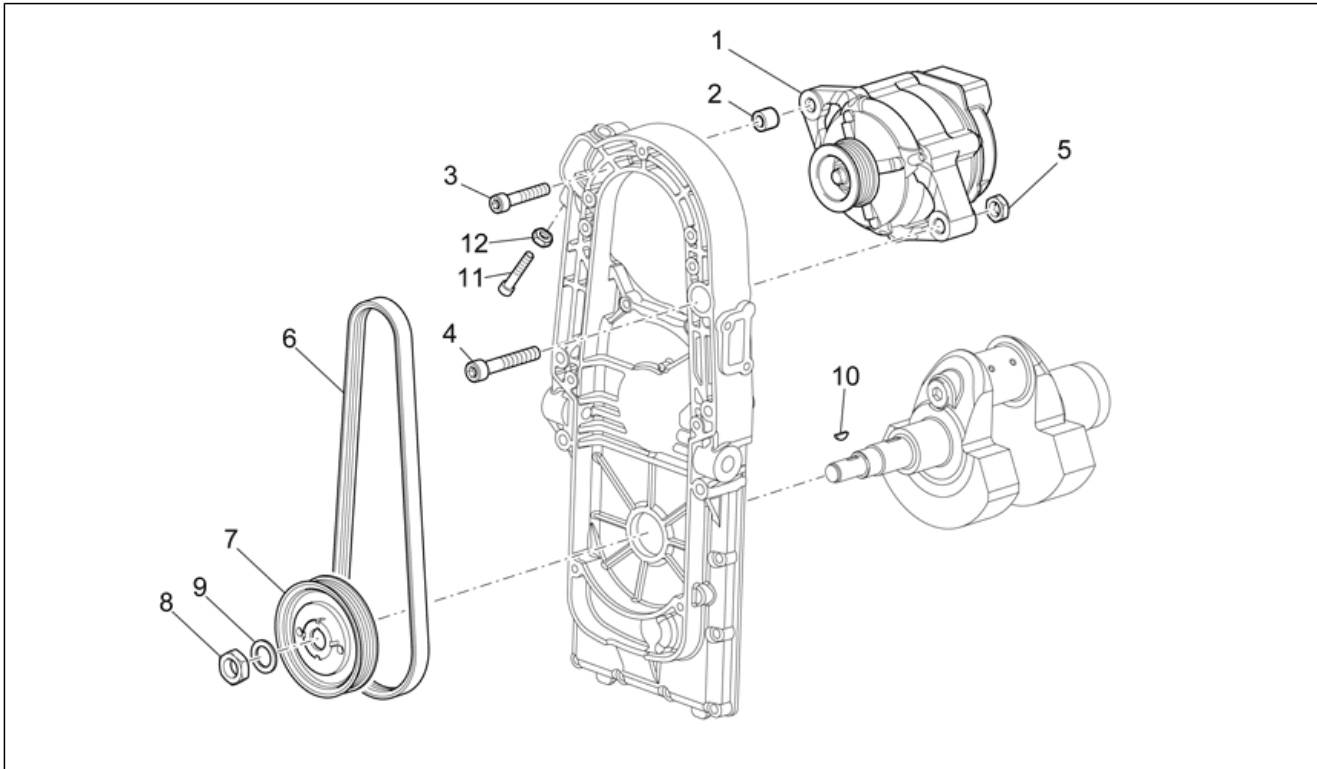
<b>Group</b>	ENGINE
<b>Code</b>	34.59
<b>Description</b>	Clutch shaft
<b>Service</b>	1



Pos.	Code	Description	Qty	Variants
1	976352	Clutch shaft Z=24	1	
2	GU92201226	Ball bearing 25x52x15	1	
3	976533	Gasket ring 25x47x7	1	
4	976532	Thrust bearing	1	
5	GU92232028	Roller bearing 20x28x13	1	

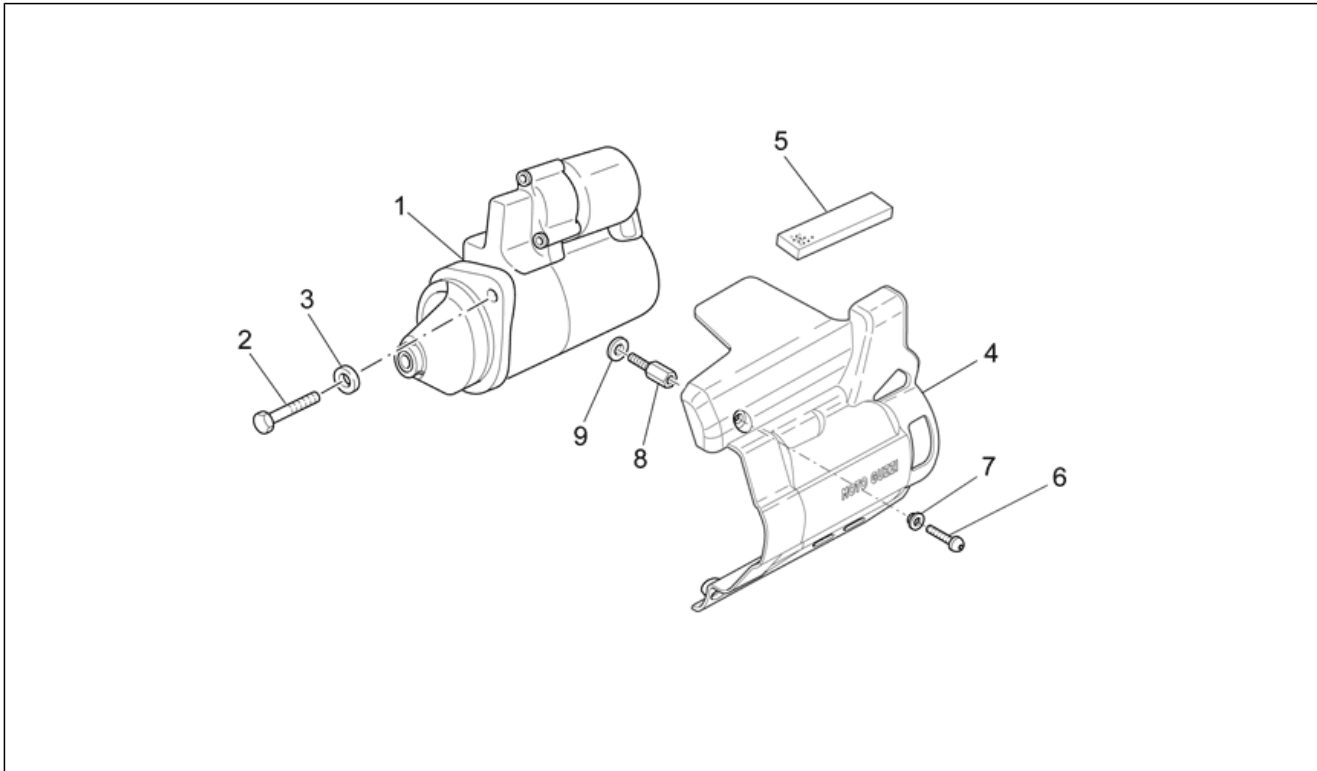


<b>Group</b>	ENGINE
<b>Code</b>	34.60
<b>Description</b>	Current generator
<b>Service</b>	1



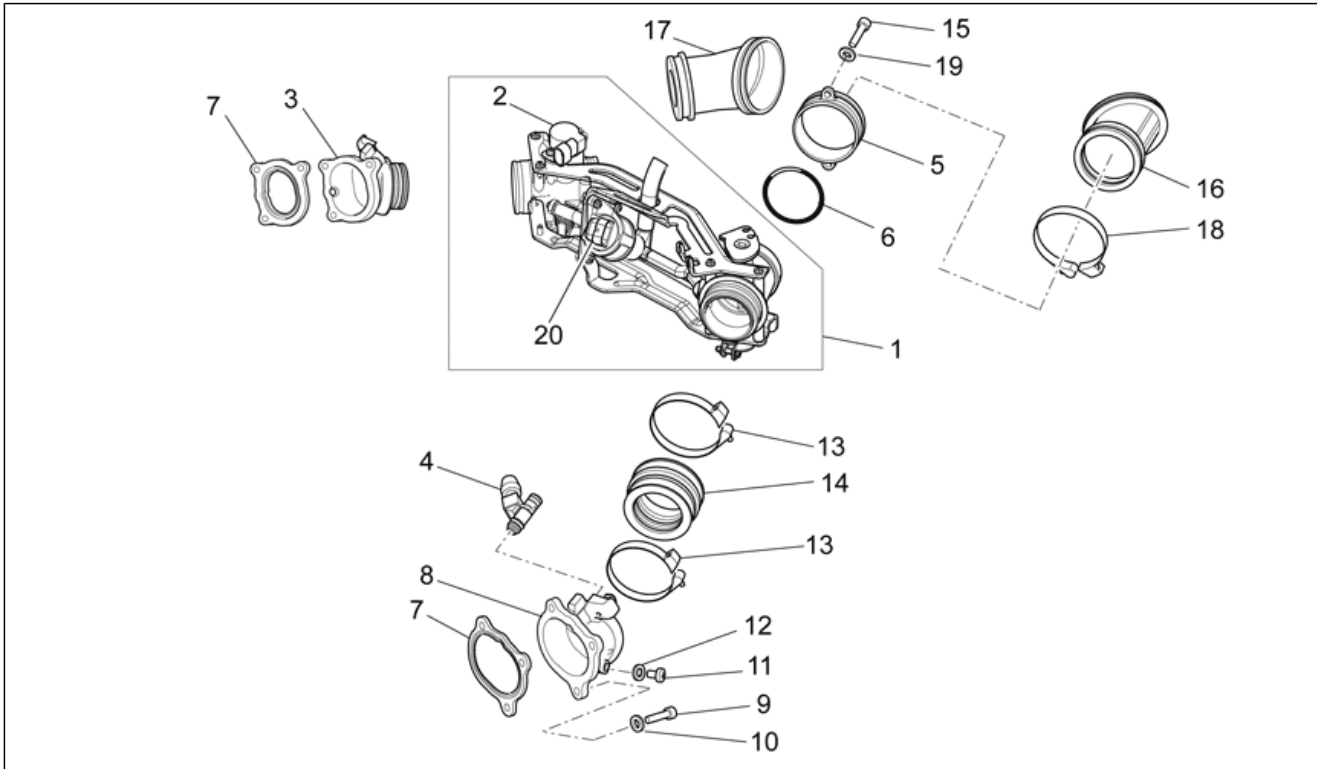
Pos.	Code	Description	Qty	Variants
1	976678	Generator	1	
2	GU91180823	Spacer 8,5x17x13	1	
3	GU98620445	Hex socket screw M8x45	1	
4	GU98620560	Hex socket screw M10x60	1	
5	GU92660012	Nut M10X1,5	1	
6	GU05702530	Belt	1	
7	GU05701430	Generator lever pulley	1	
8	GU92606516	Nut M16	1	
9	GU30714201	Washer 16,25x24,5x5	1	
10	GU4FAN000030	Flywheel magneto key	1	
11	GU98230850	Hex socket screw M8x50	1	
12	GU92605408	Nut M8x1,25	1	

<b>Group</b>	ENGINE
<b>Code</b>	34.61
<b>Description</b>	Starter motor
<b>Service</b>	1



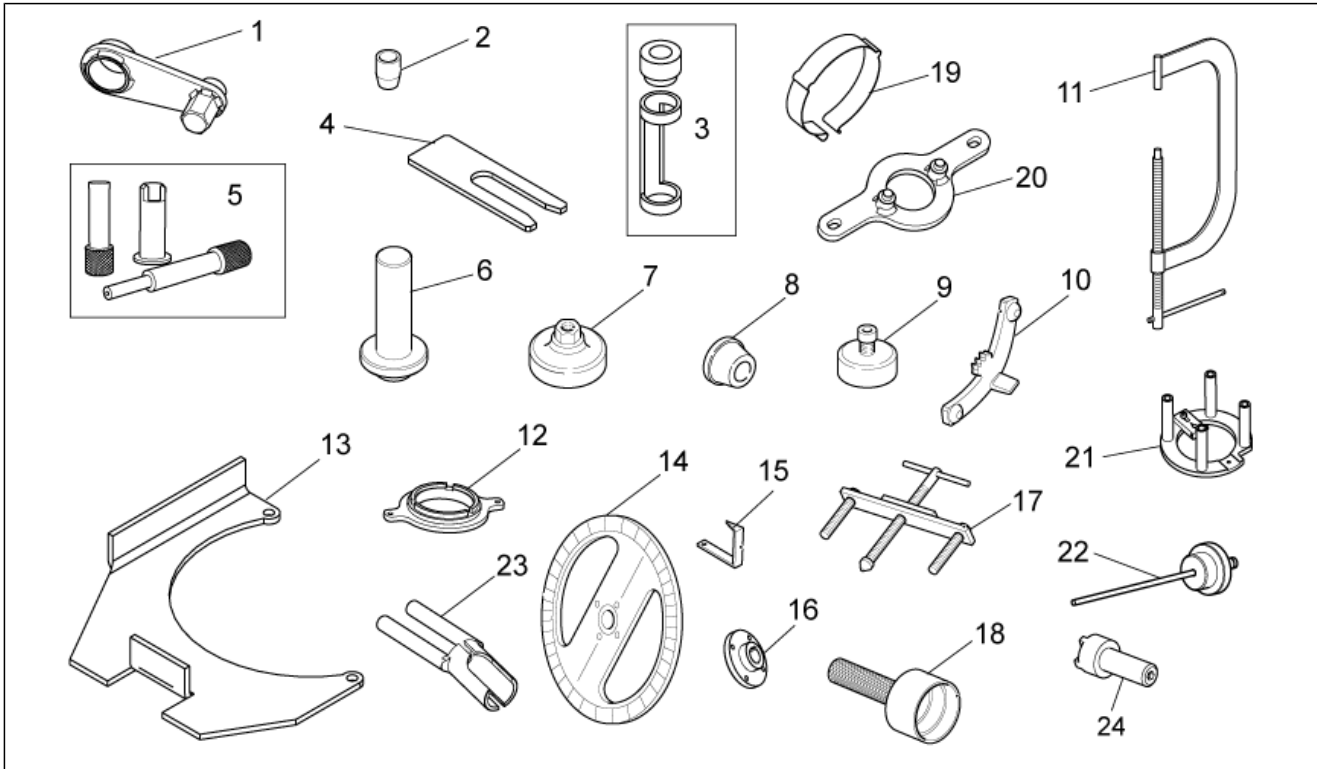
Pos.	Code	Description	Qty	Variants
1	GU05730730	Starter motor Bosch	1	
2	GU98082475	Hex screw M8x75	2	
3	GU95008208	Washer 8,4X15X1,5	2	
4	GU05733330	Cover chrome grey	1	
5	AP8117200	Adhesive sponge	1	
6	GU98370609	Hex socket screw M6x10	2	
7	AP8121032	Bush	2	
8	GU03469201	Stud bolt	1	
9	GU03013800	Washer 6,4x12	1	

<b>Group</b>	ENGINE
<b>Code</b>	34.62
<b>Description</b>	Throttle body
<b>Service</b>	1



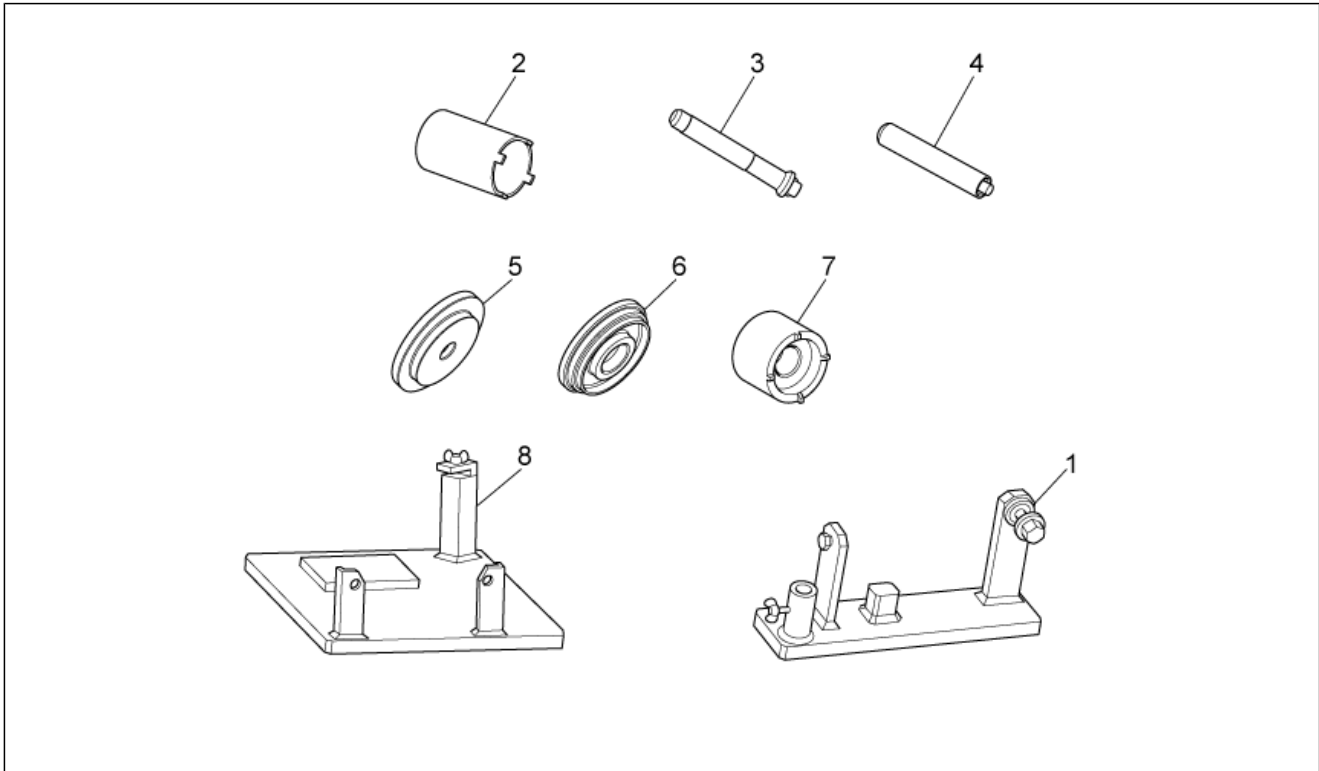
Pos.	Code	Description	Qty	Variants
1	976697	Throttle assy	1	
2	981010	Potentiometer	1	
3	873490	LH manifold	1	
4	976555	Injector kit complete	2	
5	976498	Flange	2	
6	976566	O-ring 53,7x1,78	2	
7	873879	Inl. manifold gasket	2	
8	873491	RH manifold	1	
9	GU98882325	Low head socket screw M6x25 M6x25	6	
10	GU95008206	Washer 6,15x11x0,8	6	
11	GU98350310	Hex socket screw M6x20	2	
12	GU95100116	Washer 6,25x10x1,5	2	
13	GU93305061	Hose clamp 61/65,5	4	
14	873861	Hose	2	
15	GU98682212	Hex socket screw M5x12	2	
16	883316	Intake hose RH	1	
17	883315	Intake hose LH	1	
18	GU93306050	Clamp 50x90x9	2	
19	GU95008305	Washer 5,3X10X1	2	
20	981011	Min.regulation engine	1	

<b>Group</b>	SPECIAL TOOLS
<b>Code</b>	36.63
<b>Description</b>	Specific tools I
<b>Service</b>	1



Pos.	Code	Description	Qty	Variants
1	020677Y	Belt tensioning tool	1	
2	GU05911730	Front cover installation cone	1	
3	AP9100838	Valve spring comp insert	1	
4	020716Y	Connecting rod stopper	1	
5	020470Y	Tool for piston pin catch ass.	1	
6	GU05927230	Timing cover seal drift	1	
7	GU01929100	Wrench remov.cover sump/filter	1	
8	GU12912000	Flange flywheel side	1	
9	GU14927100	Seal ring onto flange fly.side	1	
10	GU12911801	Lock flywh.starter motor gear	1	
11	AP8140179	Bow for valve assy&disassy	1	
12	020672Y	Clutch spring comp insert	1	
13	GU05902530	Gearbox housing support	1	
14	GU19929600	Index plate tim.sett./ign.cont	1	
15	GU17947560	Arrow tim.set.ignition control	1	
16	020673Y	Index plate hub	1	
17	GU12913600	Flange removal flywheel side	1	
18	GU19927100	Seal ring flange flywheel side	1	
19	020674Y	Piston ring spanner	1	
20	020675Y	Service shaft gear ret.	1	
21	020676Y	Piston pos.dial gauge supp.	1	
22	020678Y	Clutch rod inspection tool	1	
23	020689Y	Extractor spark plug cap	1	
24	GU14912603	Key	1	

<b>Group</b>	SPECIAL TOOLS
<b>Code</b>	36.64
<b>Description</b>	Specific tools II
<b>Service</b>	1



Pos.	Code	Description	Qty	Variants
1	GU05902736	Bevel gears support	1	
2	AP8140190	Steering lock tool	1	
3	GU05902732	Handle for drifts	1	
4	GU05902733	Ball joint seal drift	1	
5	GU05902731	Transmis.box oil seal drift 85	1	
6	GU05902735	Sprocket oil seal drift 45x58	1	
7	GU05902734	Wrench for sprocket ring nut	1	
8	GU05902730	Transmission box support	1	