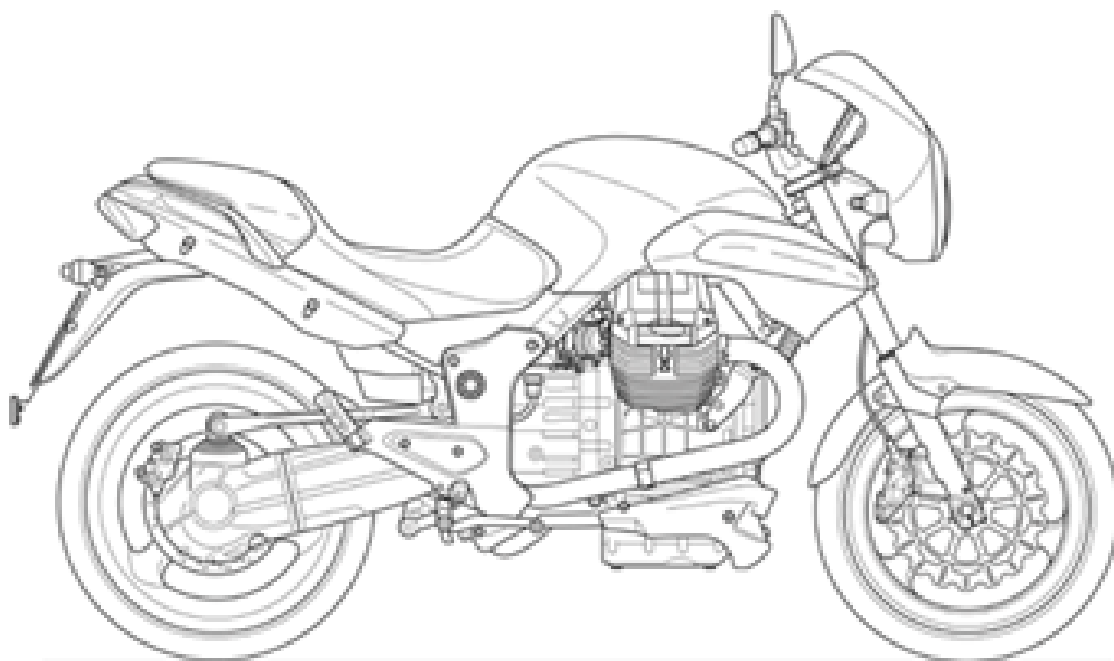




PIAGGIO & C.s.p.a.



SPARE PARTS CATALOGUE



Sport 1200 1200 2006-2007

Chassis prefix: ZGULPM, ZGULPUS

Engine prefix:

1200 SPORT

GU084



Index

Finished products.....	4
Alphanumeric index.....	5
FRAME.....	11
Table 33.01 - Frame I.....	11
Table 33.02 - Stands.....	12
Table 33.03 - Foot rests I.....	13
Table 33.04 - Foot rests II.....	14
Table 33.05 - Gear lever.....	15
Table 33.06 - Steering.....	16
Table 33.07 - Front fork.....	17
Table 33.08 - Swing arm.....	19
Table 33.09 - Transmission complete.....	20
Table 33.10 - Trans.cpl.-Cage.....	21
Table 33.11 - Trans.cpl.-Bevel gear.....	22
Table 33.12 - Connecting rod - rear shock abs.....	23
Table 33.13 - Fuel tank.....	24
Table 33.14 - Front body I.....	25
Table 33.15 - Front body II.....	26
Table 33.16 - Pillar.....	27
Table 33.17 - Front mudguard.....	28
Table 33.18 - Saddle-Central bod.....	29
Table 33.19 - Rear body - Mudguard.....	30
Table 33.20 - Rear body - Rear fairing.....	31
Table 33.21 - Dashboard.....	32
Table 33.22 - Handlebar - Controls.....	34
Table 33.23 - Front master cilinder.....	35
Table 33.24 - Clutch control complete.....	36
Table 33.25 - Oil radiator.....	37
Table 33.26 - Blow-by system.....	38
Table 33.27 - Fuel supply.....	39
Table 33.28 - Air box.....	40
Table 33.29 - Exhaust unit.....	41
Table 33.30 - Internal fuel pump.....	43
Table 33.31 - Front wheel I.....	44
Table 33.32 - Front wheel II.....	45
Table 33.33 - Front brake caliper.....	46
Table 33.34 - Rear wheel.....	47
Table 33.35 - Rear master cylinder.....	48
Table 33.36 - Rear brake caliper.....	50
Table 33.37 - ABS Brake system.....	51
Table 33.38 - Headlight/Horn.....	52
Table 33.39 - Taillight.....	53
Table 33.40 - Electrical system I.....	54



Table 33.41 - Electrical system II.....	56
Table 33.42 - Lock hardware kit.....	58
Table 33.43 - Plate set-decal-op.handbooks.....	59
Table 33.61 - Fuel vapour recover system.....	60
ENGINE.....	61
Table 34.44 - Crank-case.....	61
Table 34.45 - Cylinder head and valves.....	63
Table 34.46 - Crankshaft cpl.....	65
Table 34.47 - Timing system.....	67
Table 34.48 - Oil pump.....	68
Table 34.49 - Oil filters.....	69
Table 34.50 - Clutch.....	70
Table 34.51 - Transmission cage.....	71
Table 34.52 - Gear box selector.....	72
Table 34.53 - Primary gear shaft.....	73
Table 34.54 - Driven shaft.....	74
Table 34.55 - Clutch shaft.....	75
Table 34.56 - Current generator.....	76
Table 34.57 - Starter motor.....	77
Table 34.58 - Throttle body.....	78
SPECIAL TOOLS.....	79
Table 36.59 - Specific tools I.....	79
Table 36.60 - Specific tools II.....	80



1200 SPORT
GU084 - Sport 1200 1200 2006-2007

Chassis prefix: ZGULPM, ZGULPUS
Engine prefix:

Finished products

Code	Validity
GU9032704CA801	
GU9032704CA802	
GU9032704US800	
GU9032704US801	
GU9032704US802	



Code	No. table	Pos.	Code	No. table	Pos.	Code	No. table	Pos.
0000000	33.31	14	976185	34.44	44	977884	33.43	7
0000000	33.32	14	976187	34.46	17	977923	33.40	2
0000000	33.34	8	976448	34.48	6	978093	33.01	15
224202	34.45	8	976521	33.29	19	978111	33.22	24
277916	34.48	2	976522	33.29	11	978157	33.38	23
639542	33.02	3	976523	33.29	12	978158	33.38	22
825597	34.45	9	976688	34.48	17	978172	33.43	14
825597	34.46	24	976918	34.44	45	978173	33.07	2
829122	34.49	17	976919	34.51	17	978174	33.07	3
849131	34.46	14	977041	33.35	14	978175	33.07	15
856062	33.61	8	977056	33.34	10	978176	33.07	14
856063	33.61	6	977079	33.02	1	978177	33.07	18
874567	34.46	8	977080	33.02	2	978178	33.07	17
883004	33.29	20	977093	33.02	16	978179	33.07	21
883045	33.09	7	977149	33.27	3	978180	33.07	22
883079	33.29	24	977261	33.08	1	978181	33.07	27
883346	33.21	1	977262	33.09	2	978182	33.07	26
883439	33.29	29	977408	33.02	17	978183	33.07	25
883818	33.41	2	977662	33.29	1	978184	33.07	24
883819	33.41	3	977663	33.29	2	978185	33.07	32
883828	33.19	1	977664	33.29	13	978186	33.07	33
883883	33.31	1	977676	33.40	2	978187	33.07	31
883883	33.32	1	977700	33.01	1	978505	33.41	11
883886	33.34	1	977742	33.22	5	978606	33.23	1
884033	33.35	24	977743	33.22	7	978607	33.24	1
884095	33.03	3	977744	33.22	2	978624	33.27	3
884096	33.03	5	977745	33.22	4	978628	33.43	7
884097	33.03	8	977746	33.22	1	978825	33.30	1
884098	33.03	11	977749	33.14	3	981046	33.24	2
887422	33.30	1	977750NA	33.14	8	981050	33.23	2
969973	34.45	47	977751	33.14	7	981087	33.21	28
976003	34.46	13	977752	33.14	9	981087	33.42	6
976031	34.46	12	977754	33.18	17	981115	34.49	18
976052	34.45	20	977754Y01	33.18	17	AP4ADN000007	34.44	30
976064	34.46	9	977754Y02	33.18	17	AP4FAN0000030	34.56	10
976068	34.45	46	977761	33.41	27	AP8101372	33.25	6
976069	34.46	2	977762	33.41	28	AP8101586	33.26	9
976070	34.46	4	977769	33.41	22	AP8101588	33.26	11
976071	34.46	5	977771	33.41	23	AP8101595	33.13	12
976072	34.46	6	977772	33.41	21	AP8101595	33.19	15
976079	34.45	1	977773	33.41	20	AP8101595	33.28	17
976080	34.45	2	977788	33.01	16	AP8101595	33.35	5
976083	34.44	25	977805	33.01	14	AP8101595	34.51	15
976098	34.44	15	977806	33.01	13	AP8101861	33.03	10
976101	34.44	27	977809	33.01	7	AP8101968	33.35	16
976102	34.51	1	977818Y01	33.14	1	AP8102151	33.26	3
976104	34.51	5	977818Y02	33.14	1	AP8102151	33.35	28
976107	34.45	3	97781987	33.14	3	AP8102375	33.15	9
976110	34.44	1	977820	33.43	17	AP8102375	33.16	3
976118	34.46	17	977822	33.03	3	AP8102375	33.17	3
976126	33.09	1	977823	33.03	5	AP8102375	33.19	6
976134	34.48	1	977824	33.03	8	AP8102375	33.20	4
976139	34.45	38	977825	33.03	11	AP8102378	33.61	17
976144	34.45	41	977827	33.07	1	AP8102502	33.18	12
976152	34.45	4	977831	33.18	1	AP8102520	33.26	4
976153	34.45	22	977835	33.31	6	AP8102523	33.18	11
976165	34.48	3	9778371	33.29	20	AP8102524	33.02	9
976168	34.48	15	977859	33.43	15	AP8102678	33.61	1
976171	34.46	16	977860	33.43	16	AP8102765	33.26	17
976172	34.46	16	977861	33.43	1	AP8102913	33.18	8
976177	34.53	4	977862	33.22	18	AP8102914	33.18	7
976178	34.54	7	977863	33.22	19	AP8104211	33.28	2
976179	34.53	9	977875	33.40	1	AP8104451	33.13	15
976180	34.54	11	977875	33.41	1	AP8104509	33.22	10
976182	34.46	1	977877	33.40	1	AP8104614	33.61	7
976183	34.46	3	977877	33.41	1	AP8104666	33.13	13
976184	34.44	43	977882	33.21	1	AP8104921	33.22	21



Code	No. table	Pos.	Code	No. table	Pos.	Code	No. table	Pos.
AP8104922	33.22	22	AP8124976	33.39	6	AP8152273	33.35	30
AP8106713	33.24	1	AP8124985	33.21	22	AP8152274	33.27	1
AP8110066	33.12	5	AP8125773	33.31	4	AP8152277	33.41	12
AP8110068	33.12	6	AP8125773	33.32	4	AP8152278	33.21	23
AP8110077	33.06	8	AP8125777	33.31	3	AP8152278	33.24	11
AP8112811	33.41	9	AP8125777	33.32	3	AP8152278	33.28	20
AP8112811	33.41	9	AP8125779	33.31	5	AP8152278	33.32	19
AP8112996	33.35	27	AP8125779	33.32	5	AP8152278	33.34	14
AP8113288	33.35	3	AP8125791	33.31	9	AP8152278	33.35	12
AP8113594	33.35	2	AP8125791	33.32	9	AP8152278	34.50	14
AP8113993	33.23	5	AP8127109	33.38	2	AP8152279	33.28	10
AP8113993	33.24	4	AP8127469	33.32	18	AP8152279	33.35	4
AP8113995	33.23	3	AP8127514	33.38	9	AP8152279	33.40	4
AP8113997	33.24	5	AP8127515	33.38	10	AP8152282	33.40	7
AP8113998	33.24	6	AP8127552	33.38	11	AP8152286	33.31	7
AP8117200	33.41	5	AP8127552	33.39	9	AP8152286	33.38	15
AP8117200	34.57	5	AP8127817	33.30	5	AP8152287	33.16	5
AP8118492	33.22	16	AP8133510	33.23	2	AP8152291	33.13	7
AP8118502	33.22	15	AP8133594	33.23	7	AP8152291	34.44	46
AP8118503	33.22	17	AP8133594	33.24	8	AP8152292	33.20	8
AP8118579	33.22	9	AP8133594	33.36	10	AP8152298	33.06	14
AP8118659	33.24	2	AP8133594	33.37	2	AP8152298	33.27	5
AP8120030	33.28	12	AP8133597	33.36	7	AP8152298	33.39	2
AP8120030	33.40	5	AP8133597	33.37	8	AP8152299	33.18	10
AP8120177	33.41	6	AP8134167	33.61	18	AP8152299	33.19	22
AP8120178	33.35	13	AP8134378	33.29	22	AP8152299	33.29	27
AP8120405	33.39	4	AP8134448	33.19	8	AP8152299	33.40	29
AP8120428	33.28	19	AP8134451	33.03	7	AP8152300	33.04	6
AP8120428	34.58	17	AP8134884	33.61	2	AP8152300	33.38	18
AP8120455	33.20	16	AP8135608	33.12	8	AP8152301	33.01	8
AP8120485	33.11	7	AP8135924	33.12	4	AP8152301	33.12	11
AP8120594	33.16	7	AP8140190	36.60	2	AP8152302	33.15	8
AP8120615	33.28	4	AP8144007	33.05	7	AP8152302	33.17	2
AP8120876	33.28	18	AP8144007	33.35	25	AP8152302	33.20	6
AP8120912	33.05	3	AP8144038	33.28	16	AP8152306	33.19	11
AP8120912	33.35	20	AP8144046	33.41	15	AP8152306	33.19	19
AP8120952	33.13	14	AP8144071	33.29	23	AP8152306	33.39	7
AP8120952	33.19	14	AP8144164	33.28	7	AP8152318	33.08	2
AP8120952	34.51	16	AP8144303	33.61	9	AP8152320	33.36	2
AP8120965	33.13	11	AP8144538	33.18	3	AP8152329	33.19	4
AP8120965	33.61	13	AP8144553	33.41	7	AP8152329	33.28	9
AP8121032	34.57	7	AP8144565	33.14	5	AP8152329	33.35	10
AP8121096	33.20	15	AP8144707	33.38	19	AP8152329	33.41	4
AP8121098	33.11	6	AP8149034	33.19	20	AP8152329	33.61	3
AP8121133	33.03	9	AP8150046	33.04	12	AP8152334	33.21	21
AP8121155	33.12	10	AP8150046	34.44	16	AP8152339	33.04	8
AP8121170	33.29	17	AP8150255	33.21	4	AP8152339	33.15	5
AP8121205	33.06	9	AP8150292	33.02	7	AP8152339	33.16	4
AP8121207	33.06	4	AP8150292	33.12	13	AP8152339	33.18	4
AP8121218	33.09	4	AP8150413	33.15	3	AP8152339	33.19	5
AP8121221	33.05	2	AP8150421	33.21	15	AP8152339	33.20	3
AP8121221	33.35	19	AP8150421	33.28	13	AP8152339	33.21	13
AP8121520	33.22	23	AP8150432	33.01	11	AP8152384	33.06	10
AP8121567	33.03	1	AP8150462	33.05	5	AP8152385	33.33	7
AP8121804	33.13	6	AP8150462	33.35	22	AP8152396	33.12	16
AP8121915	33.24	9	AP8150509	33.21	5	AP8152397	33.12	9
AP8121927	33.35	23	AP8150509	33.26	7	AP8152398	33.12	2
AP8121994	33.02	6	AP8152001	33.02	8	AP8152409	33.03	2
AP8121994	33.02	6	AP8152043	34.47	21	AP8152410	33.09	3
AP8123641	33.06	7	AP8152055	33.20	14	AP8152482	33.12	15
AP8123642	33.06	5	AP8152147	33.12	12	AP8201124	33.13	2
AP8123643	33.06	3	AP8152238	33.21	20	AP8201301	33.35	17
AP8123644	33.06	6	AP8152242	33.09	5	AP8201358	33.26	16
AP8124266	33.41	14	AP8152267	33.19	9	AP8201358	33.61	10
AP8124768	33.41	13	AP8152268	34.45	21	AP8201808	33.19	16
AP8124869	33.41	16	AP8152272	33.34	12	AP8201808	33.36	12
AP8124936	33.21	16	AP8152273	33.27	2	AP8202238	33.36	11



Code	No. table	Pos.	Code	No. table	Pos.	Code	No. table	Pos.
AP8202238	33.37	10	GU01659131	33.33	6	GU05103930	33.13	8
AP8212702	33.39	5	GU01721600	33.40	20	GU05103930	33.42	2
AP8213113	33.36	8	GU01722700	33.40	22	GU05107230	33.30	1
AP8213113	33.37	9	GU01722701	33.40	22	GU05107430	33.30	3
AP8220150	33.21	3	GU01722702	33.40	22	GU05112530	34.58	1
AP8220162	33.04	14	GU01722703	33.40	22	GU05112830	34.58	2
AP8220283	33.41	19	GU01722704	33.40	22	GU05113530	33.28	6
AP8220526	33.04	15	GU01722705	33.40	22	GU05113730	33.28	3
AP8220546	33.41	17	GU01929100	36.59	7	GU05114031	33.28	1
AP8221023	33.28	11	GU02107100	33.13	5	GU05114130	33.28	8
AP8221023	33.38	20	GU03013800	34.57	9	GU05114430	34.58	6
AP8221023	33.40	6	GU03163330	33.40	26	GU05115030	34.58	3
AP8221036	33.06	15	GU03270300	33.20	9	GU05115031	34.58	8
AP8221036	33.39	3	GU03270300	33.21	8	GU05115730	34.58	4
AP8221128	33.16	6	GU03469201	34.57	8	GU05121630	33.29	10
AP8221145	33.35	11	GU03530506	33.07	23	GU05124230	33.29	14
AP8221204	33.02	10	GU03530510	33.07	20	GU05124330	33.29	26
AP8221211	33.02	11	GU03530513	33.07	16	GU05128230	33.29	18
AP8221227	33.01	12	GU03530524	33.07	10	GU05135830	34.58	18
AP8221277	33.03	6	GU03530525	33.07	9	GU05135930	33.27	4
AP8221307	33.01	9	GU03530526	33.07	8	GU05152230	34.49	3
AP8224164	33.19	10	GU03530527	33.07	7	GU05153430	33.26	1
AP8224164	33.19	18	GU03530528	33.07	6	GU05153630	34.48	10
AP8224462	33.41	18	GU03604845	33.24	3	GU05157430	33.26	2
AP8258253	33.19	17	GU03609600	33.22	20	GU05157630	33.26	10
B043864	33.13	9	GU03617710	33.31	12	GU05159330	33.26	13
B045021	33.22	12	GU03617710	33.32	12	GU05159630	33.26	5
B063025	34.51	11	GU03617710	33.34	2	GU05161631	33.25	5
B063858	33.42	1	GU03717450	33.40	14	GU05162031	33.25	1
B063859	33.42	3	GU03749845	33.23	9	GU05162331	33.25	4
GU00823923140	33.02	14	GU04067000	34.46	19	GU05164230	33.25	11
GU00823950050	33.35	6	GU04082800	34.50	5	GU05164630	33.25	7
GU00823955080	33.26	8	GU04084100	34.50	1	GU05204930	34.51	8
GU01003651	34.44	24	GU04086100	34.50	10	GU05206530	33.10	12
GU01037030	34.45	10	GU05001231	34.44	14	GU05210631	34.53	1
GU01038060	34.45	13	GU05001630	34.44	21	GU05210731	34.55	1
GU01038160	34.45	14	GU05002130	34.44	40	GU05211030	34.55	12
GU01051730	34.47	8	GU05003630	34.44	26	GU05211231	34.55	10
GU01054001	34.47	5	GU05004930	34.44	34	GU05211331	34.53	10
GU01062030	34.46	16	GU05005730	34.49	4	GU05211431	34.53	7
GU01062031	34.46	16	GU05007230	34.44	18	GU05211530	34.55	13
GU01062032	34.46	16	GU05007330	34.44	36	GU05211630	34.55	14
GU01062033	34.46	16	GU05011830	34.44	42	GU05213631	34.54	1
GU01062230	34.46	14	GU05025330	34.46	23	GU05214231	34.54	3
GU01067930	34.46	22	GU05025331	34.45	17	GU05214431	34.54	12
GU01106090	33.30	2	GU05025931	34.45	43	GU05214630	34.53	5
GU01108490	33.30	4	GU05025932	34.45	39	GU05214630	34.54	5
GU01114390	34.58	14	GU05036030	34.45	6	GU05214731	34.54	9
GU01154230	33.25	2	GU05036131	34.45	5	GU05215031	34.54	10
GU01154230	33.26	15	GU05053331	34.47	3	GU05217630	34.50	12
GU01161331	33.25	3	GU05054532	34.47	9	GU05230531	34.52	18
GU01161331	33.26	14	GU05055230	34.47	20	GU05230831	34.52	21
GU01163500	34.49	5	GU05058030	34.47	16	GU05232431	34.52	19
GU01163600	34.49	8	GU05061530	34.46	13	GU05232631	34.52	20
GU01163700	34.49	7	GU05081830	34.55	5	GU05234130	34.52	11
GU01528930	33.10	13	GU05084430	34.50	3	GU05234230	34.52	12
GU01528930	33.10	8	GU05085730	34.50	6	GU05234431	34.52	1
GU01528930	34.44	33	GU05086330	33.24	10	GU05234631	34.52	2
GU01528930	34.51	9	GU05086330	34.50	13	GU05234731	34.52	10
GU01530593	33.07	30	GU05100230	33.13	1	GU05234931	34.52	13
GU01576530	33.04	3	GU05100231	33.13	1	GU05235531	34.52	3
GU01603480	33.22	14	GU05100232	33.13	1	GU05236231	34.52	7
GU01609630	33.22	20	GU05100235	33.13	1	GU05238131	34.52	15
GU01612190	33.31	11	GU05100236	33.13	1	GU05238231	34.52	8
GU01612190	33.32	11	GU05100237	33.13	1	GU05238331	34.52	14
GU01654630	33.33	3	GU05102930	33.13	16	GU05238431	34.52	9
GU01659130	33.33	5	GU05103830	33.28	5	GU05239330	34.52	17



Code	No. table	Pos.	Code	No. table	Pos.	Code	No. table	Pos.
GU05251130	33.05	1	GU05576330	33.15	4	GU05740531	33.38	1
GU05256930	33.05	13	GU05576330NA	33.15	4	GU05740532	33.38	1
GU05257830	33.05	12	GU05576631	33.15	1	GU05740930	33.39	1
GU05258230	33.05	10	GU05576731	33.15	6	GU05743730	33.38	14
GU05326330	33.09	6	GU05578630	33.38	6	GU05745730	33.21	11
GU05351230	33.10	2	GU05578631	33.38	8	GU05747830	33.41	8
GU05352430	33.11	2	GU05603331	33.22	13	GU05747930	33.41	11
GU05354230	33.11	1	GU05606530	33.24	7	GU05751630	33.39	8
GU05358030	33.10	6	GU05606630	33.24	12	GU05751730	33.39	11
GU05358130	33.10	5	GU05610530	33.31	1	GU05764030	33.21	6
GU05358230	33.10	7	GU05610530	33.32	1	GU05764330	33.21	10
GU05358330	33.10	1	GU05611430	33.32	7	GU05764430	33.21	12
GU05358530	33.10	15	GU05613330	33.32	6	GU05764430	33.21	12
GU05358630	33.10	16	GU05613335	33.32	15	GU05764530	33.21	14
GU05421430	33.01	2	GU05614130	33.31	8	GU05766530	33.21	2
GU05421530	33.01	3	GU05614130	33.32	8	GU05767830	33.21	26
GU05434330	33.17	1	GU05615230	33.31	2	GU05780430	33.21	27
GU05434331	33.17	1	GU05615230	33.32	2	GU05780530	33.19	3
GU05434332	33.17	1	GU05630530	33.34	1	GU05781630	33.07	34
GU05436530	33.36	12	GU05630531	33.34	1	GU05782530	33.21	18
GU05436530	33.37	11	GU05632730	33.34	3	GU05782530	33.42	3
GU05438630	33.19	7	GU05634430	33.34	5	GU05900130	33.43	11
GU05438730	33.19	1	GU05635730	33.34	6	GU05901930	36.59	4
GU05443530NA	33.04	1	GU05638130	33.11	9	GU05902530	36.59	13
GU05446030NA	33.04	11	GU05652230	33.33	2	GU05902730	36.60	8
GU05446431	33.04	9	GU05652330	33.33	1	GU05902731	36.60	5
GU05446930	33.04	7	GU05653030	33.36	1	GU05902732	36.60	3
GU05447430	33.04	13	GU05654630	33.36	3	GU05902733	36.60	4
GU05464330NA	33.20	11	GU05657530	33.36	9	GU05902734	36.60	7
GU05464830	33.20	13	GU05658431	33.06	13	GU05902735	36.60	6
GU05466830	33.18	6	GU05658830	33.23	6	GU05902736	36.60	1
GU05466830	33.42	4	GU05659030	33.36	5	GU05909930	33.43	6
GU05467330	33.20	7	GU05659130	33.36	4	GU05911730	36.59	2
GU05476430	33.15	7	GU05659230	33.33	4	GU05912530	36.59	3
GU05479630	33.19	2	GU05660130	33.23	1	GU05917530	33.43	4
GU05490630	33.07	4	GU05661130	33.23	4	GU05923330	33.43	14
GU05490730	33.07	5	GU05663530	33.35	7	GU05927230	36.59	6
GU05493130	33.06	1	GU05666030	33.35	9	GU05928030	36.59	5
GU05494030	33.06	2	GU05666930	33.35	1	GU05944530	33.43	10
GU05526630	33.07	19	GU05677030	33.35	18	GU05944930	33.43	12
GU05530535	33.07	12	GU05680530	33.37	5	GU05945030	33.43	9
GU05547030	33.08	6	GU05680830	33.37	4	GU05948630	36.59	1
GU05547130	33.08	5	GU05680930	33.37	7	GU06023400	34.45	42
GU05547930	33.08	8	GU05681030	33.37	1	GU06023500	34.45	36
GU05548030	33.08	3	GU05681130	33.37	6	GU06211100	34.55	8
GU05550230	33.12	1	GU05681430	33.32	16	GU06215600	34.53	2
GU05560330	33.12	3	GU05681530	33.34	11	GU06704700	33.61	11
GU05562030	33.12	7	GU05683130	33.37	12	GU06917300	33.43	3
GU05562430	33.12	14	GU05683730	33.34	13	GU06917400	33.43	2
GU05570230	33.18	2	GU05701430	34.56	7	GU06941000	34.45	37
GU05570231	33.18	2	GU05702530	34.56	6	GU10032700	34.45	32
GU05570232	33.18	2	GU05704531	33.41	2	GU10034100	34.45	29
GU05570430	33.18	5	GU05704630	33.41	3	GU10907200	36.59	11
GU05570431	33.18	5	GU05712431	34.56	1	GU12003900	34.44	2
GU05570432	33.18	5	GU05716530	33.40	8	GU12006400	34.48	16
GU05570530	33.16	1	GU05716730	33.40	9	GU12011400	34.44	28
GU05570630	33.16	2	GU05717030	33.40	19	GU12011401	34.44	28
GU05573230	33.20	1	GU05717430	33.40	18	GU12011402	34.44	28
GU05573230Y01A	33.20	1	GU05718330	33.40	13	GU12011403	34.44	28
GU05573230Y02	33.20	1	GU05718331	33.40	17	GU12011700	34.44	29
GU05573330	33.20	2	GU05729230	33.40	3	GU12012200	34.44	11
GU05573330Y01A	33.20	2	GU05730730	34.57	1	GU12018900	34.44	6
GU05573330Y02	33.20	2	GU05733330	34.57	4	GU12022600	34.45	15
GU05573830	33.18	13	GU05735530	33.42	5	GU12031800	34.45	33
GU05573831	33.18	14	GU05736830	33.42	1	GU12067701	34.46	20
GU05576230	33.15	2	GU05738030	33.22	8	GU12082300	34.50	4
GU05576230NA	33.15	2	GU05740530	33.38	1	GU12087001	34.50	9

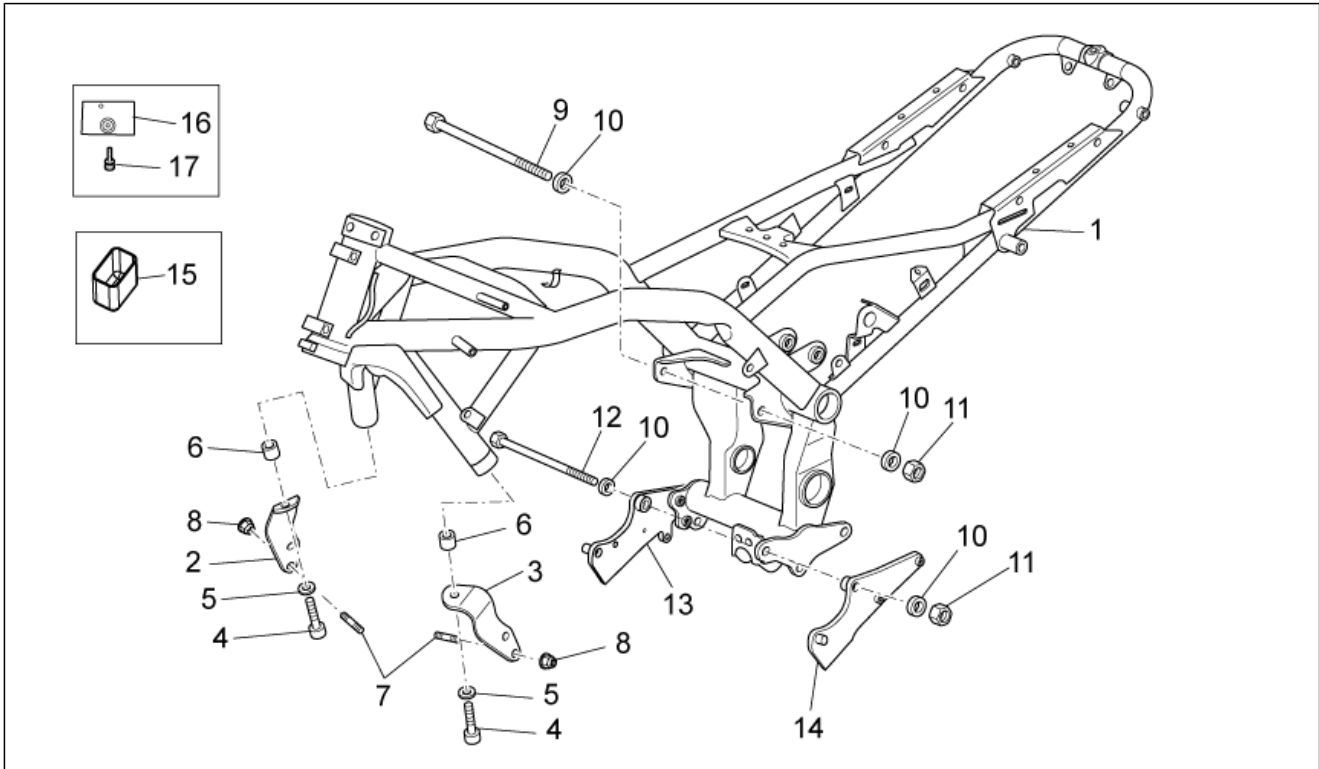


Code	No. table	Pos.	Code	No. table	Pos.	Code	No. table	Pos.
GU12154200	34.48	13	GU30441005	33.03	4	GU91111511	34.45	27
GU12211700	34.55	15	GU30530561	33.07	28	GU91112128	34.46	15
GU12911801	36.59	10	GU30530577	33.07	29	GU91120606	34.44	4
GU12912000	36.59	8	GU30609600	33.40	28	GU91120607	34.44	38
GU12913600	36.59	17	GU30611460	33.34	7	GU91120617	34.45	44
GU13084100	34.50	1	GU30714201	34.56	9	GU91120622	33.25	10
GU13148300	34.48	4	GU30717061	33.40	16	GU91120924	33.20	10
GU14011900	34.44	10	GU30729330	33.28	14	GU91180823	34.56	2
GU14011901	34.44	10	GU30906510	36.59	19	GU91181215	33.01	6
GU14018400	34.45	24	GU30912810	36.59	18	GU91551010	33.25	8
GU14030201	34.45	25	GU30944300	33.43	5	GU91600365	34.47	15
GU14030401	34.45	26	GU30970200	33.43	13	GU92201025	34.52	6
GU14072001	34.47	12	GU31003766	33.10	9	GU92201117	34.52	5
GU14085900	34.50	7	GU31003766	34.44	32	GU92201226	34.54	13
GU14086000	34.50	8	GU31003766	34.51	13	GU92201226	34.55	3
GU14217901	34.46	11	GU31159050	34.49	14	GU92201822	34.53	11
GU14234600	34.47	4	GU31576183	34.58	16	GU92201822	34.54	2
GU14433400	34.47	10	GU31768780	34.48	14	GU92204230	33.11	5
GU14609650	33.02	15	GU32023910	34.45	45	GU92208518	33.11	4
GU14609650	33.40	28	GU32461610	33.18	16	GU92232028	34.55	16
GU14609650	33.41	26	GU32461810	33.18	15	GU92249224	33.08	7
GU14615901	33.29	6	GU32727010	33.29	16	GU92252029	34.53	3
GU14615901	34.44	5	GU32944210	33.20	17	GU92252029	34.54	4
GU14615901	34.46	21	GU37037405	34.45	11	GU92602510	34.48	8
GU14616150	33.31	13	GU37037605	34.45	12	GU92602525	34.47	14
GU14616150	33.32	13	GU37045006	34.47	1	GU92603010	34.45	23
GU14616150	33.34	9	GU37065405	34.46	18	GU92605408	34.56	12
GU14717600	33.40	15	GU37067705	34.46	10	GU92606206	33.35	15
GU14912603	36.59	20	GU49609601	33.21	25	GU92606516	34.56	8
GU14927100	36.59	9	GU49609601	33.32	20	GU92609408	33.41	25
GU14927300	36.59	12	GU49609601	33.34	15	GU92630104	33.40	12
GU17034050	34.45	28	GU61270300	34.44	13	GU92630206	33.21	24
GU17045860	34.47	2	GU90118152	34.45	31	GU92630206	33.38	13
GU17661052	33.35	8	GU90271014	34.52	16	GU92630206	33.39	13
GU17947560	36.59	15	GU90271022	34.52	4	GU92630707	33.05	11
GU18144350	34.49	13	GU90271030	34.53	8	GU92650138	33.29	25
GU18144350	34.51	7	GU90271030	34.54	8	GU92660012	34.56	5
GU19002020	34.51	14	GU90271125	34.55	9	GU92660021	33.29	5
GU19149800	34.48	9	GU90271230	34.53	6	GU92660021	34.44	8
GU19207220	34.51	10	GU90271230	34.54	6	GU92750180	34.47	11
GU19927100	36.59	16	GU90272028	34.55	17	GU92787205	33.15	10
GU19929600	36.59	14	GU90273026	33.11	8	GU93180220	34.51	3
GU20164010	34.49	6	GU90274002	33.21	17	GU93231604	33.14	6
GU25656100	33.23	8	GU90274008	33.29	15	GU93304360	33.40	28
GU25656100	33.36	6	GU90353014	34.52	22	GU93304360	33.41	26
GU25656100	33.37	3	GU90353016	34.45	7	GU93304390	33.08	4
GU25656102	34.48	11	GU90401424	34.51	12	GU93305057	34.58	13
GU28157950	33.61	4	GU90401532	34.47	19	GU93305058	34.58	5
GU28576591	33.19	12	GU90403549	34.55	4	GU93305061	34.58	15
GU28742562	33.41	10	GU90404558	33.11	3	GU93306018	33.26	12
GU29108550	33.61	5	GU90405367	34.44	41	GU93450105	33.38	4
GU29722760	33.40	22	GU90408511	33.10	10	GU93450105	33.39	14
GU29729461	33.40	25	GU90412237	34.44	19	GU93450126	33.38	12
GU30003800	34.49	2	GU90412541	34.54	14	GU93450126	33.39	10
GU30027931	33.28	15	GU90706009	33.61	14	GU93450265	33.38	3
GU30058310	34.47	17	GU90706141	33.40	21	GU93601022	34.55	7
GU30059211	34.47	18	GU90706151	34.49	15	GU94321077	34.49	10
GU30061241	34.46	7	GU90706170	34.50	11	GU94322215	34.45	30
GU30082900	34.50	2	GU90706178	34.44	35	GU95005304	33.15	11
GU30103730	33.13	10	GU90706203	34.45	16	GU95005306	33.25	9
GU30103730	33.61	12	GU90706203	34.55	2	GU95005308	33.29	7
GU30109330	33.29	9	GU90706331	33.22	25	GU95005312	33.29	4
GU30147700	34.48	7	GU90706347	34.44	39	GU95005325	33.31	10
GU30150900	34.49	9	GU90706461	34.58	7	GU95005325	33.32	10
GU30153000	34.49	1	GU90718120	33.10	3	GU95008204	33.40	11
GU30158900	34.49	12	GU90718370	33.29	3	GU95008205	33.40	24
GU30217900	33.01	5	GU91110506	34.45	18	GU95008206	34.44	48



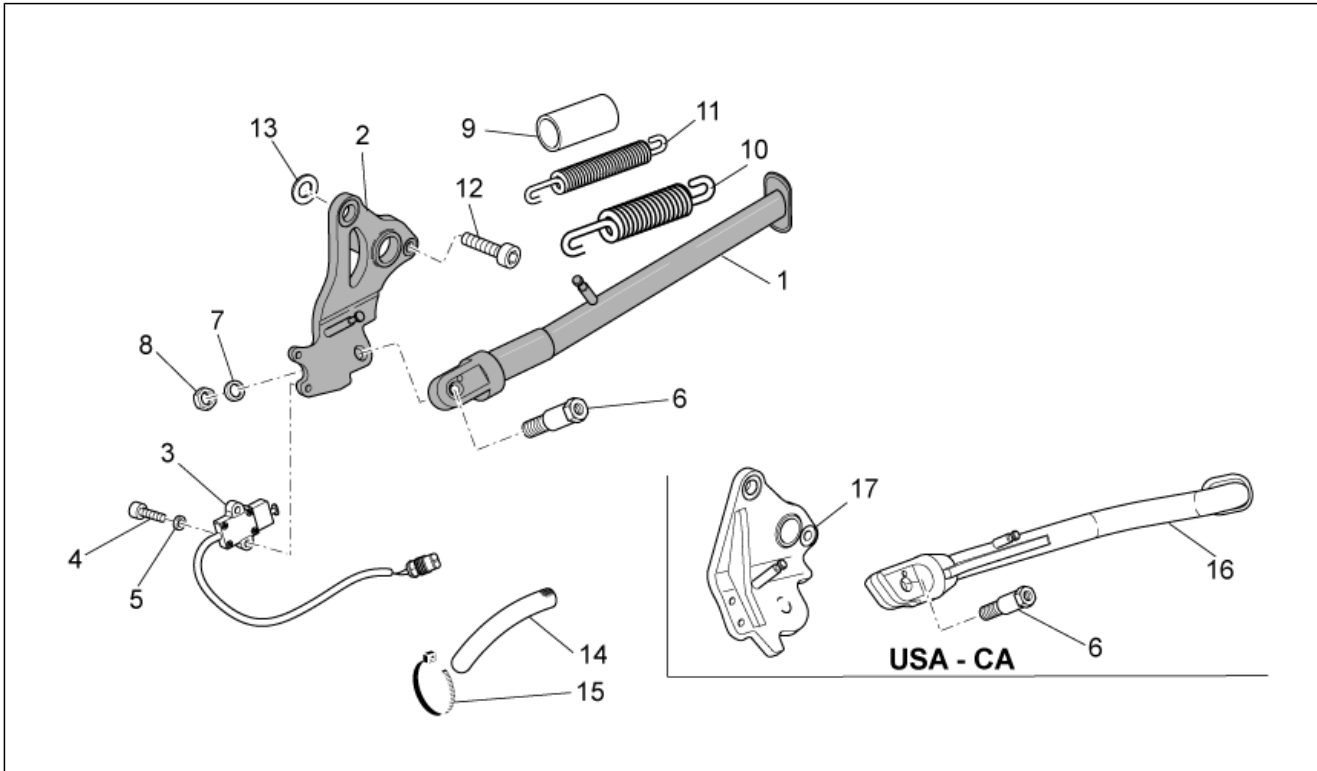
Code	No. table	Pos.	Code	No. table	Pos.
GU95008206	34.49	11	GU98680450	33.10	11
GU95008206	34.58	10	GU98682125	33.40	10
GU95008208	33.13	4	GU98682212	33.40	23
GU95008208	34.57	3	GU98682215	33.20	5
GU95008210	33.40	27	GU98682316	33.05	4
GU95008213	33.05	8	GU98682316	33.35	21
GU95008308	33.16	8	GU98682316	34.44	22
GU95008310	33.35	26	GU98682316	34.49	16
GU95008313	33.01	10	GU98682320	33.05	6
GU95008313	33.02	13	GU98682320	33.05	9
GU95020105	33.02	5	GU98682320	34.44	20
GU95021104	33.23	11	GU98682325	33.08	9
GU95028022	34.55	6	GU98682325	34.58	9
GU95100116	34.58	12	GU98682330	34.44	17
GU95100244	33.38	16	GU98682414	33.13	3
GU95100837	34.47	13	GU98682416	33.21	7
GU95120065	34.45	35	GU98682425	33.06	12
GU95120065	34.47	7	GU98682425	33.20	12
GU95129131	33.41	24	GU98682430	33.06	11
GU95129180	34.45	40	GU98682430	33.21	19
GU95129340	34.55	11	GU98682435	33.38	7
GU95510620	33.10	4	GU98682535	33.07	11
GU95512081	34.44	9	GU98682650	33.01	4
GU95960609	33.26	6	GU98690335	33.38	21
GU95963062	33.61	15	GU98690435	33.22	3
GU95980319	34.51	6	GU98692216	33.14	2
GU95990023	33.61	16	GU98692313	33.21	9
GU95990037	34.48	12	GU98692318	33.38	5
GU96508040	34.45	19	GU98692318	33.39	12
GU96508066	34.44	3	GU98692325	33.21	9
GU96508075	34.44	7	GU98692425	33.04	4
GU97202355	34.51	2	GU98692425	33.22	6
GU97202665	33.34	4	GU98692430	33.04	2
GU97260415	33.01	17	GU98710215	33.38	24
GU98082475	34.57	2	GU99210406	33.10	14
GU98084316	34.45	34			
GU98084320	34.47	6			
GU98084425	34.44	12			
GU98110007	33.29	8			
GU98210616	33.19	21			
GU98210616	33.29	28			
GU98230850	34.56	11			
GU98231235	33.02	12			
GU98250510	33.32	17			
GU98257408	34.44	37			
GU98350210	33.04	10			
GU98350210	33.35	29			
GU98350310	34.58	11			
GU98350330	34.48	5			
GU98370412	33.14	4			
GU98370412	33.23	10			
GU98370609	34.57	6			
GU98370614	33.19	13			
GU98370616	33.18	18			
GU98370616	34.51	4			
GU98370625	33.18	9			
GU98612216	33.02	4			
GU98620445	34.56	3			
GU98620560	34.56	4			
GU98680335	34.44	23			
GU98680340	33.07	13			
GU98680340	33.22	11			
GU98680340	33.25	12			
GU98680340	34.44	47			
GU98680360	34.44	31			
GU98680440	33.04	5			
GU98680445	33.29	21			

Group	FRAME
Code	33.01
Description	Frame I
Service	1



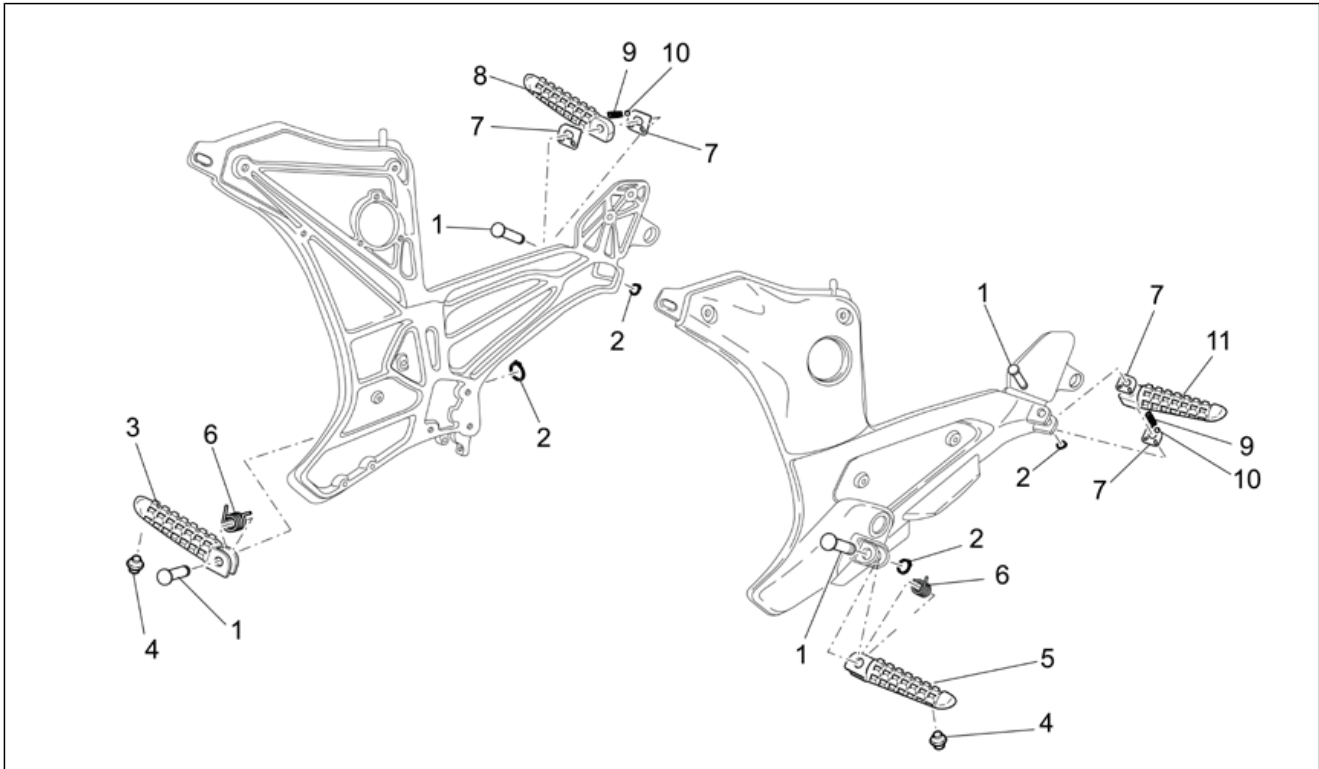
Pos.	Code	Description	Qty	Variants
1	977700	Frame	1	
2	GU05421430	RH plate	1	
3	GU05421530	LH plate	1	
4	GU98682650	Hex socket screw M12x50	2	
5	GU30217900	Washer 13x18x1,7	2	
6	GU91181215	Spacer 12x35x14	2	
7	977809	Stud bolt M10x38	4	
8	AP8152301	Self-locking nut	4	
9	AP8221307	Pin M12	1	
10	GU95008313	Washer 13x24x2,5	4	
11	AP8150432	Low self-locking nut M12*	2	
12	AP8221227	Pin M12x270	1	
13	977806	RH plate	1	
14	977805	LH plate	1	
15	978093	Cap	2	
16	977788	Support plate	1	Country:Canadian[CA], United States of America[USA]
17	GU97260415	Special screw M8x15	1	Country:Canadian[CA], United States of America[USA]

Group	FRAME
Code	33.02
Description	Stands
Service	1



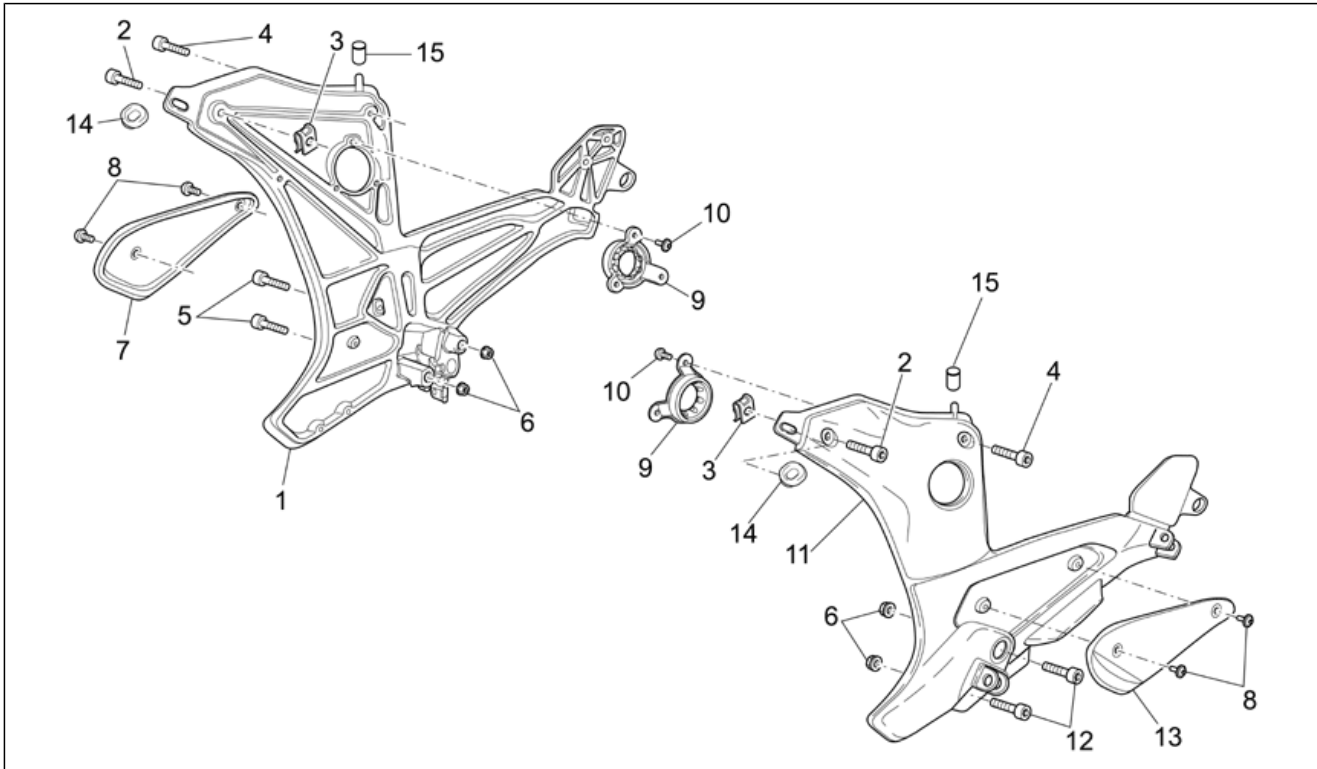
Pos.	Code	Description	Qty	Variants
1	977079	Lateral stand	1	Country:Other country Europe[EU], Great Britain[UK]
2	977080	Stand plate	1	Country:Other country Europe[EU], Great Britain[UK]
3	639542	Button for the side stand	1	
4	GU98612216	Hex socket screw	2	
5	GU95020105	Washer 5,3x8,9x2,4	2	
6	AP8121994	Central stand fixing screw	1	Country:Canadian[CA], United States of America[USA]
6	AP8121994	Central stand fixing screw	1	Country:Other country Europe[EU], Great Britain[UK]
7	AP8150292	Curved spring washer *	1	
8	AP8152001	Low nut M10x1,25	1	
9	AP8102524	Stand spring protection	1	
10	AP8221204	Lateral stand spring	1	
11	AP8221211	Internal lateral stand spring	1	
12	GU98231235	Hex socket screw M12x35	2	
13	GU95008313	Washer 13x24x2,5	2	
14	GU00823923140	Thermal sheath	1	
15	GU14609650	Hose clamp 3,6x20,6	2	
16	977093	Lateral stand	1	Country:Canadian[CA], United States of America[USA]
17	977408	Stand plate	1	Country:Canadian[CA], United States of America[USA]

Group	FRAME
Code	33.03
Description	Foot rests I
Service	1



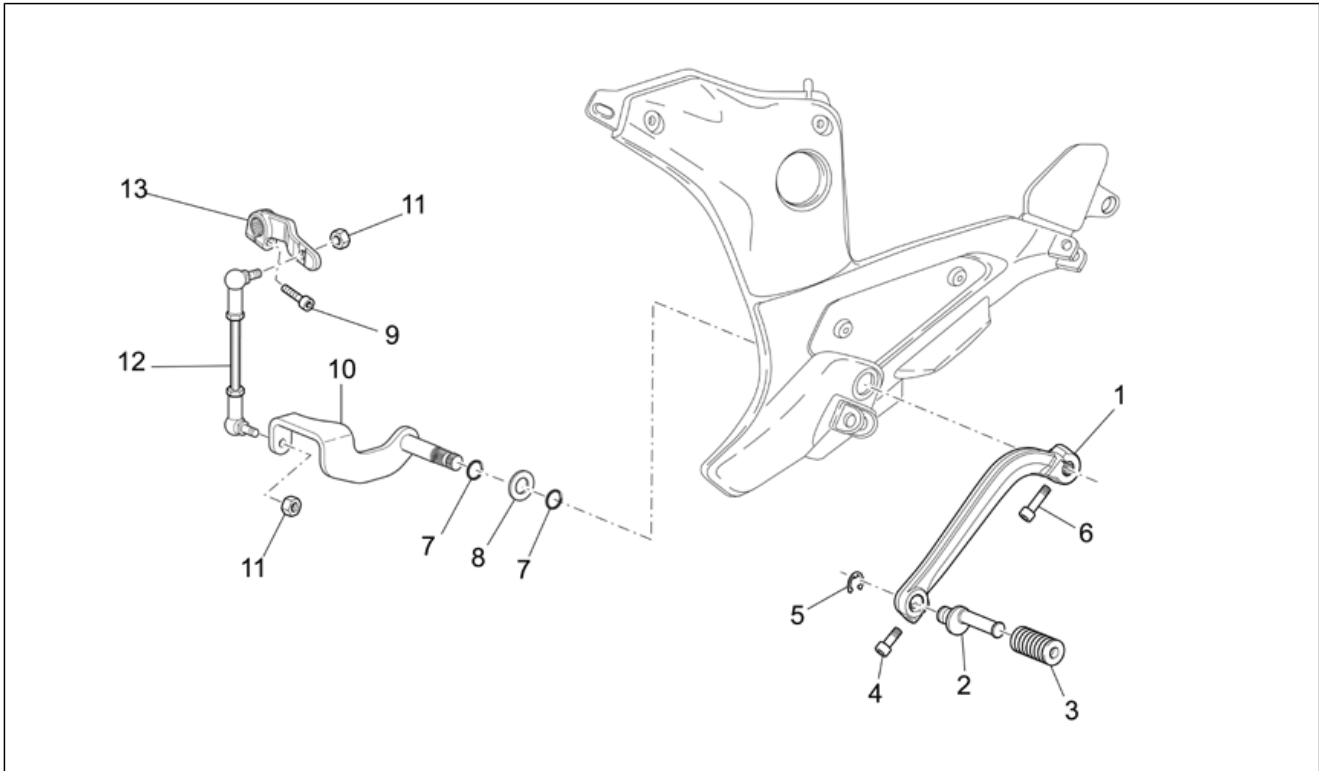
Pos.	Code	Description	Qty	Variants
1	AP8121567	Pin	4	
2	AP8152409	Stop ring	4	
3	884095	RH Foot rests New	1	
3	977822	RH Foot rests Old	1	
4	GU30441005	Pin	2	
5	884096	LH Foot rests New	1	
5	977823	LH Foot rests Old	1	
6	AP8221277	Footrest return spring	2	
7	AP8134451	Footrest plate	4	
8	884097	Rear footrest, RH New	1	
8	977824	Rear footrest, RH Old	1	
9	AP8121133	Coil compress. spring	2	
10	AP8101861	Ball D6,35	2	
11	884098	Rear footrest, LH New	1	
11	977825	Rear footrest, LH Old	1	

Group	FRAME
Code	33.04
Description	Foot rests II
Service	1



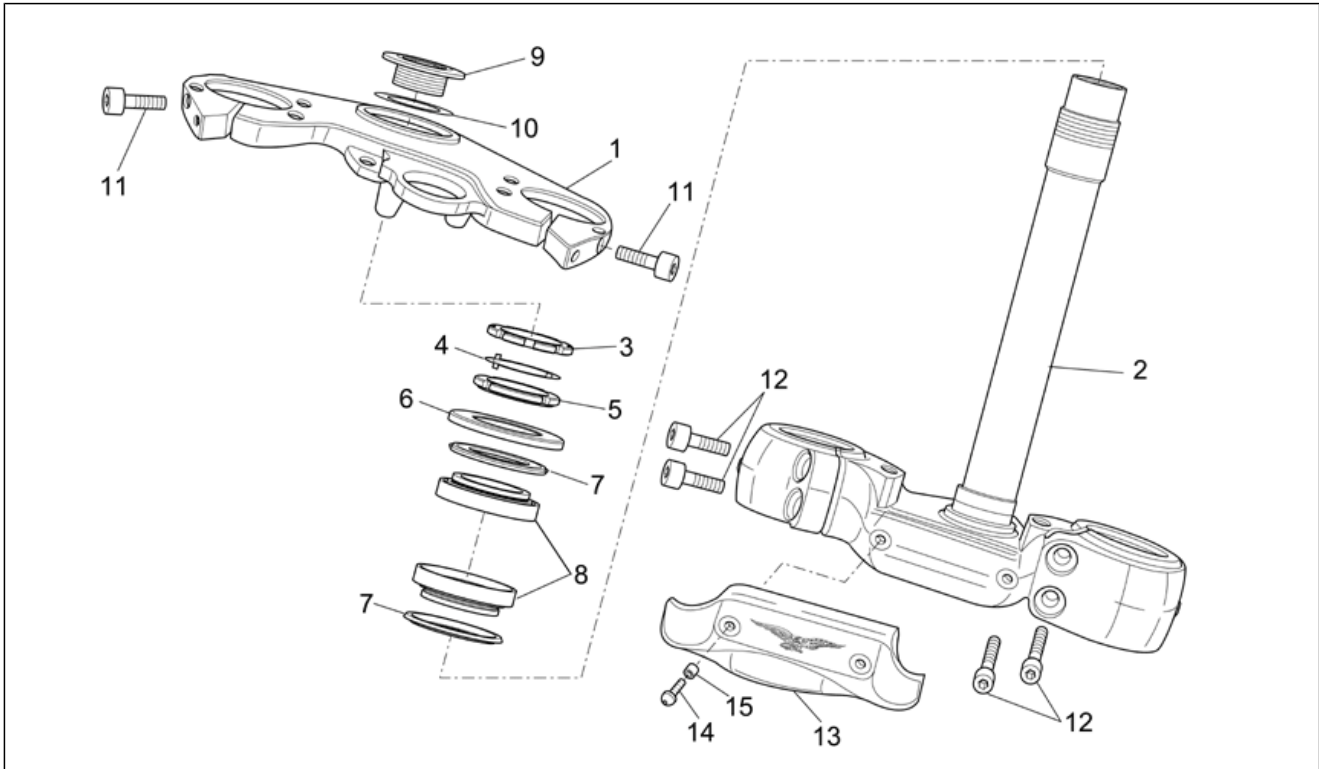
Pos.	Code	Description	Qty	Variants
1	GU05443530NA	RH plate black	1	
2	GU98692430	Hex socket screw M8x30	2	
3	GU01576530	Nut with clip M8x1,25	2	
4	GU98692425	Hex socket screw M8x25	2	
5	GU98680440	Hex socket screw M8x40	2	
6	AP8152300	Self-locking nut M8	4	
7	GU05446930	RH protection	1	
8	AP8152339	Screw w/ flange M5x9	4	
9	GU05446431	Ring	2	
10	GU98350210	Hex socket screw	6	
11	GU05446030NA	LH plate	1	
12	AP8150046	Hex socket screw M8x55	2	
13	GU05447430	LH protection	1	
14	AP8220162	Rubber spacer	4	
15	AP8220526	Rubber spacer	2	

Group	FRAME
Code	33.05
Description	Gear lever
Service	1



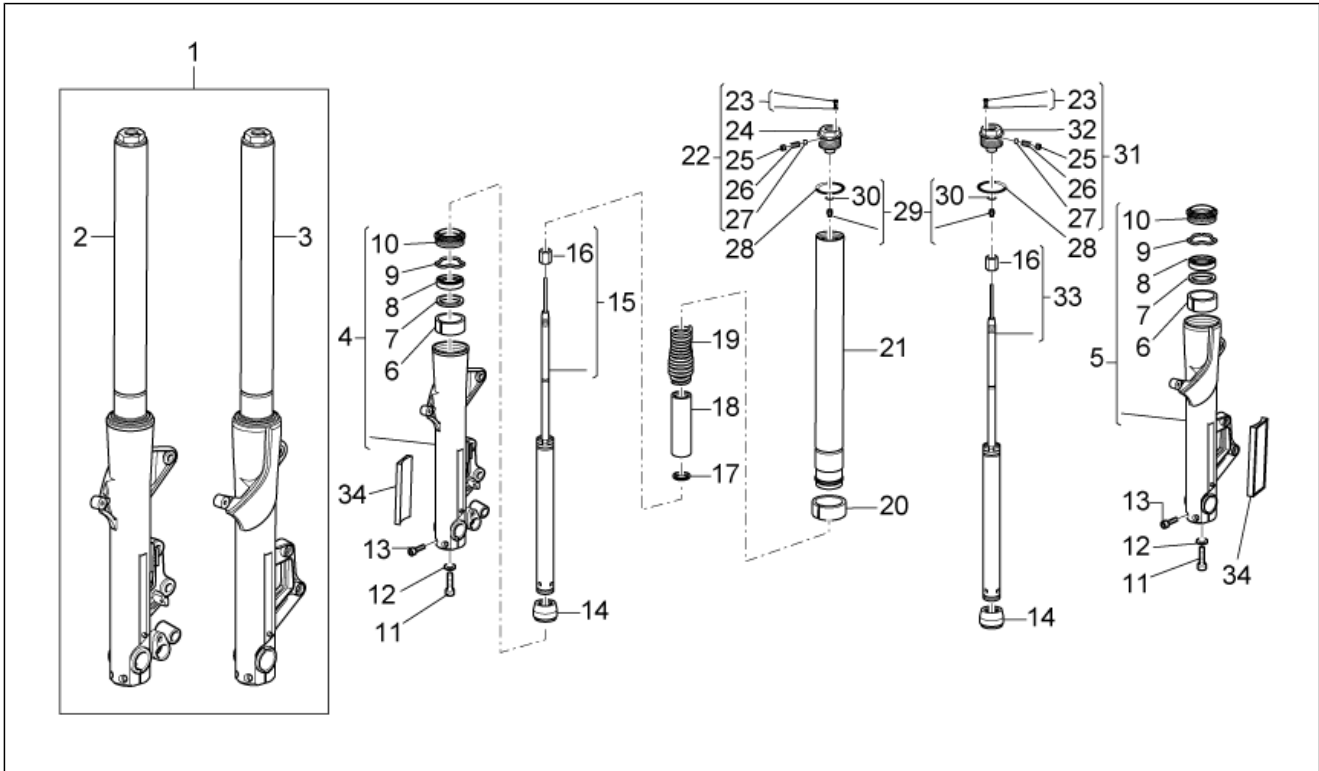
Pos.	Code	Description	Qty	Variants
1	GU05251130	Gear lever	1	
2	AP8121221	Brake lever pin	1	
3	AP8120912	Lever rubber	1	
4	GU98682316	Hex socket screw M6x16	1	
5	AP8150462	Circlip d9	1	
6	GU98682320	Hex socket screw M6x20	1	
7	AP8144007	O-ring 11,11x1,78	2	
8	GU95008213	Washer 12,2X20X2	1	
9	GU98682320	Hex socket screw M6x20	1	
10	GU05258230	Lever	1	
11	GU92630707	Nut	2	
12	GU05257830	Change gear tie rod compl.	1	
13	GU05256930	Lever	1	

Group	FRAME
Code	33.06
Description	Steering
Service	1



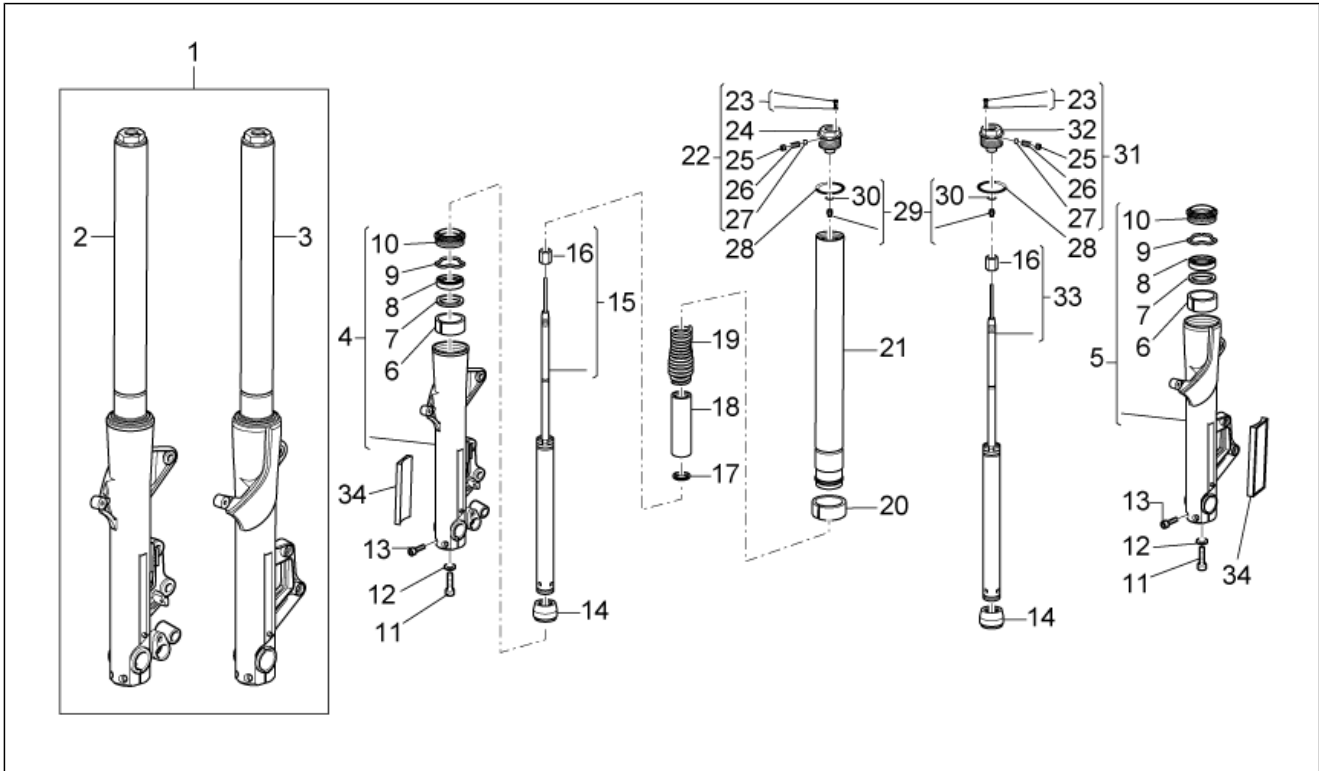
Pos.	Code	Description	Qty	Variants
1	GU05493130	Fork upper plate	1	
2	GU05494030	Stem base	1	
3	AP8123643	Return ring nut	1	
4	AP8121207	Steering security plate	1	
5	AP8123642	Ring nut	1	
6	AP8123644	Dust cover ring	1	
7	AP8123641	Dust cover ring	2	
8	AP8110077	Axial ball bearing	2	
9	AP8121205	Upper plate fixing bush	1	
10	AP8152384	Stem plug washer	1	
11	GU98682430	Hex socket screw M8x30	2	
12	GU98682425	Hex socket screw M8x25	4	
13	GU05658431	Brake hose fixing plate	1	
14	AP8152298	Screw w/ flange M5x16	2	
15	AP8221036	Bushing 5,3x8x7,1	2	

Group	FRAME
Code	33.07
Description	Front fork
Service	1



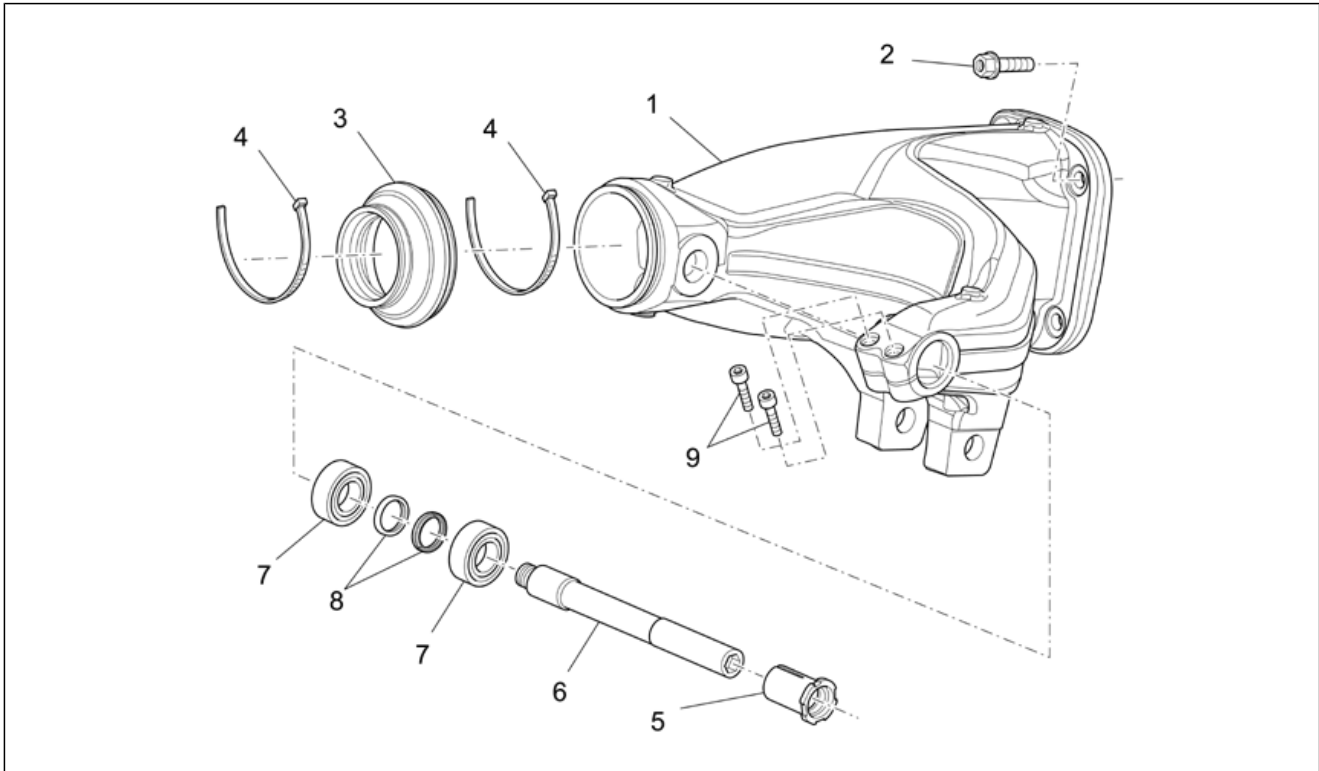
Pos.	Code	Description	Qty	Variants
1	97827	Front fork "Marzocchi"	1	
2	978173	RH hub cpl. "Marzocchi"	1	
3	978174	LH hub cpl. "Marzocchi"	1	
4	GU05490630	RH sleeve	1	
5	GU05490730	LH sleeve	1	
6	GU03530528	Upper bush	2	
7	GU03530527	Cup	2	
8	GU03530526	Gasket ring	2	
9	GU03530525	Stop ring	2	
10	GU03530524	Dust cover	2	
11	GU98682535	Hex socket screw M10x35	2	
12	GU05530535	Washer 14x10,5x1,5	2	
13	GU98680340	Hex socket screw M6x40	4	
14	978176	Pad	2	
15	978175	RH shock absorber "REBOUND"	1	
16	GU03530513	Return nut	2	
17	978178	Washer	2	
18	978177	Preload tube	2	
19	GU05526630	Spring	2	
20	GU03530510	Lower bush	2	
21	978179	Sleeve	2	
22	978180	Plug cpl. "REBOUND"	2	
23	GU03530506	Screw with OR	2	
24	978184	Sticker "REBOUND"	2	
25	978183	Dowel	2	
26	978182	Spring	2	
27	978181	Ball	2	
28	GU30530561	O-ring	2	

Group	FRAME
Code	33.07
Description	Front fork
Service	1



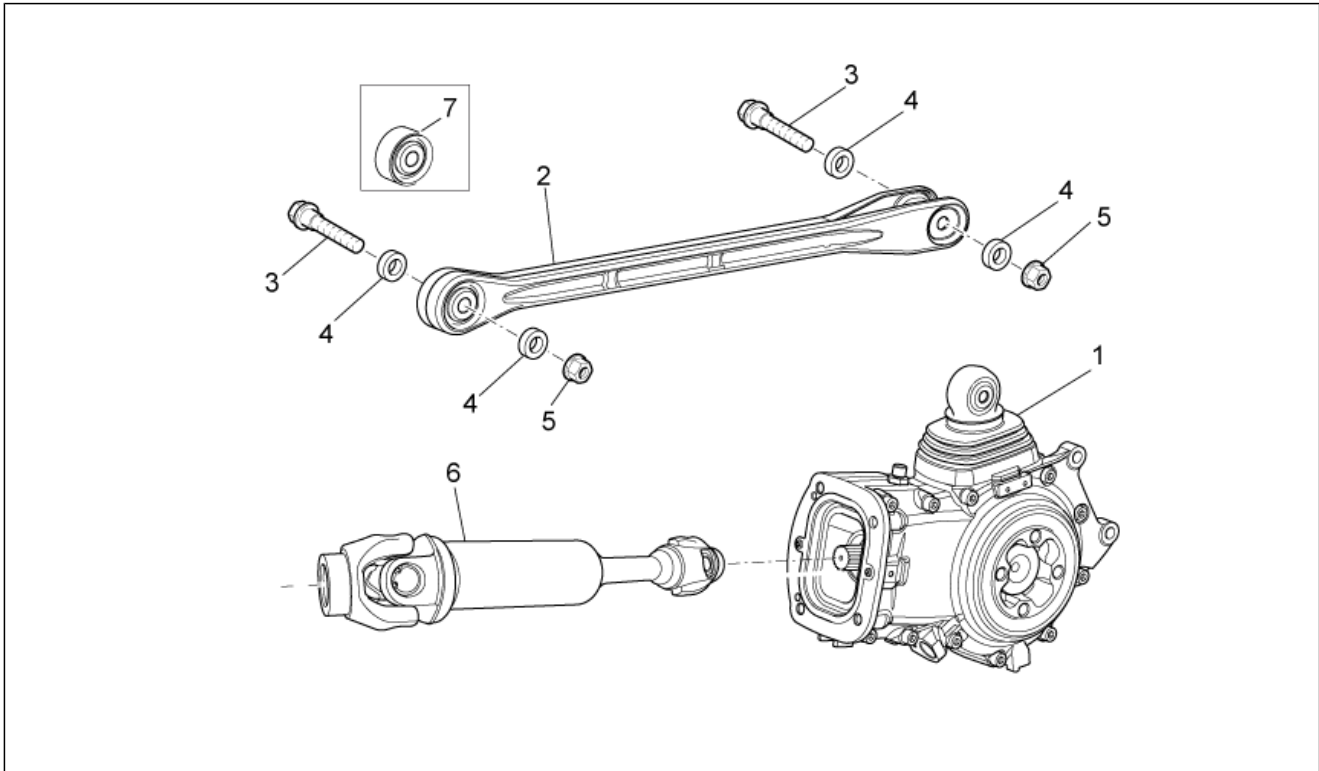
Pos.	Code	Description	Qty	Variants
29	GU30530577	Adjuster screw	2	
30	GU01530593	O-ring	2	
31	978187	Plug cpl. "COMPRESSION"	2	
32	978185	Sticker "COMPRESSION"	2	
33	978186	LH shock absorber "COMPRESSION"	1	
34	GU05781630	Reflector, amber	2	Country:Canadian[CA], United States of America[USA]

Group	FRAME
Code	33.08
Description	Swing arm
Service	1



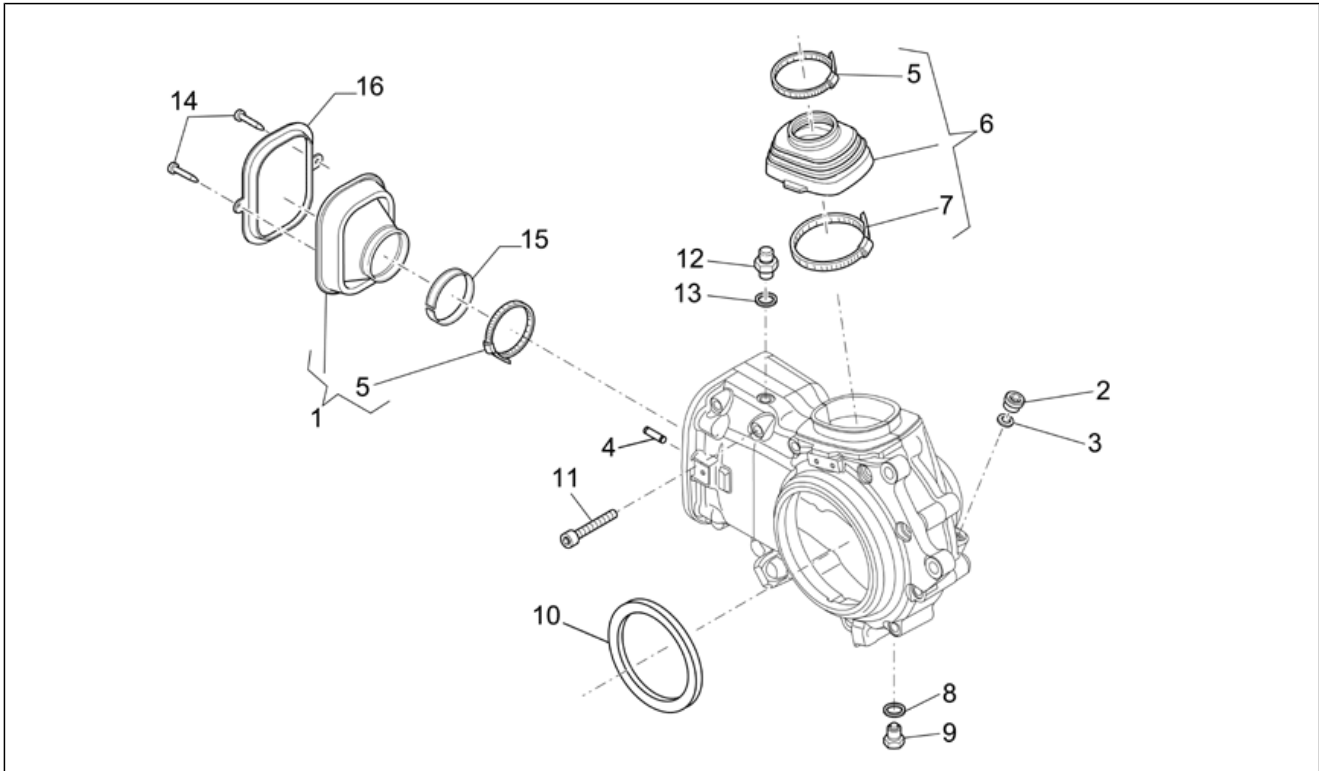
Pos.	Code	Description	Qty	Variants
1	977261	Swingarm	1	
2	AP8152318	Screw w/ flange M10x35	4	
3	GU05548030	Rubber bellows	1	
4	GU93304390	Hose clamp 3,6x375	2	
5	GU05547130	Bush	1	
6	GU05547030	Pin	1	
7	GU92249224	Roller bearing 25x47x17	2	
8	GU05547930	Gasket ring	2	
9	GU98682325	Hex socket screw M6x25	2	

Group	FRAME
Code	33.09
Description	Transmission complete
Service	1



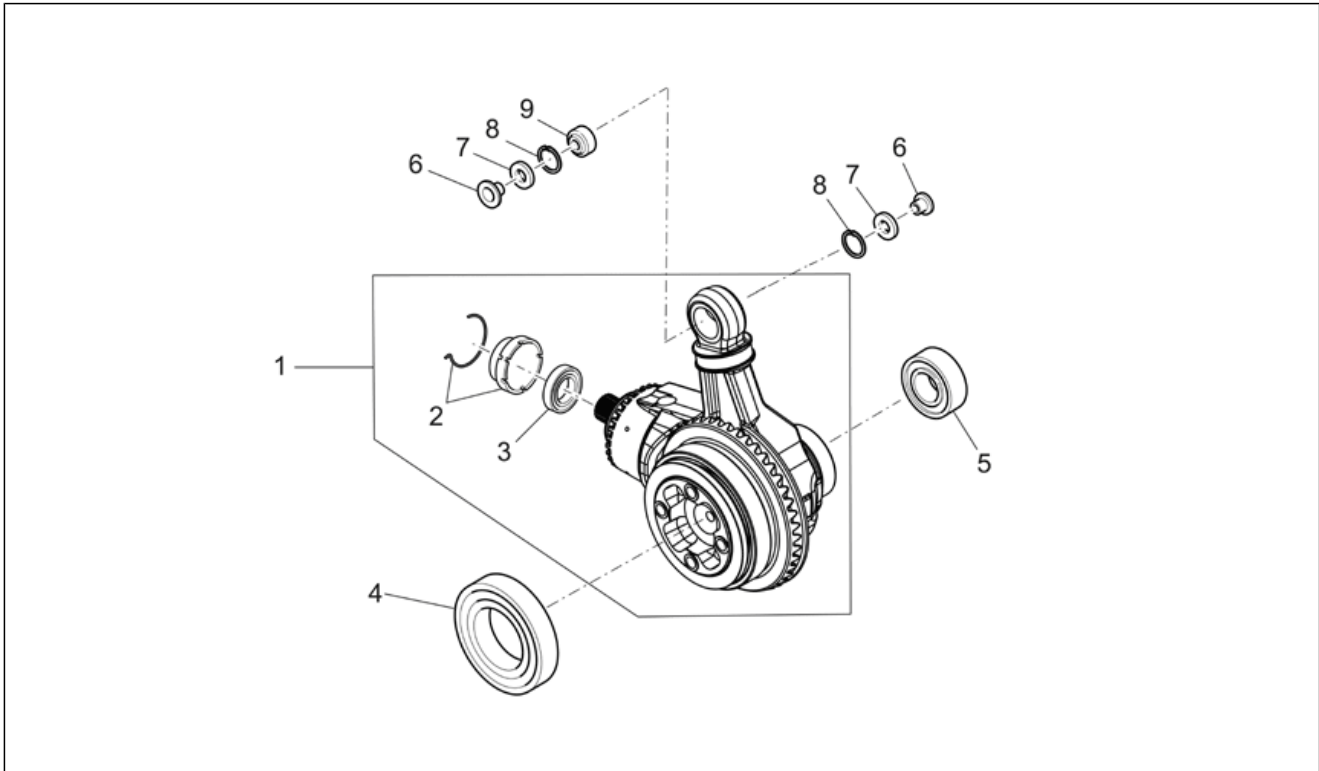
Pos.	Code	Description	Qty	Variants
1	976126	Transmission assygrey	1	
2	977262	Reaction rod assy.	1	
3	AP8152410	Screw w/ flange M10x55	2	
4	AP8121218	Spacer 10,2x20x4	4	
5	AP8152242	Nut	2	
6	GU05326330	Drive shaft	1	
7	883045	Silent-block	1	

Group	FRAME
Code	33.10
Description	Trans.cpl.-Cage
Service	1



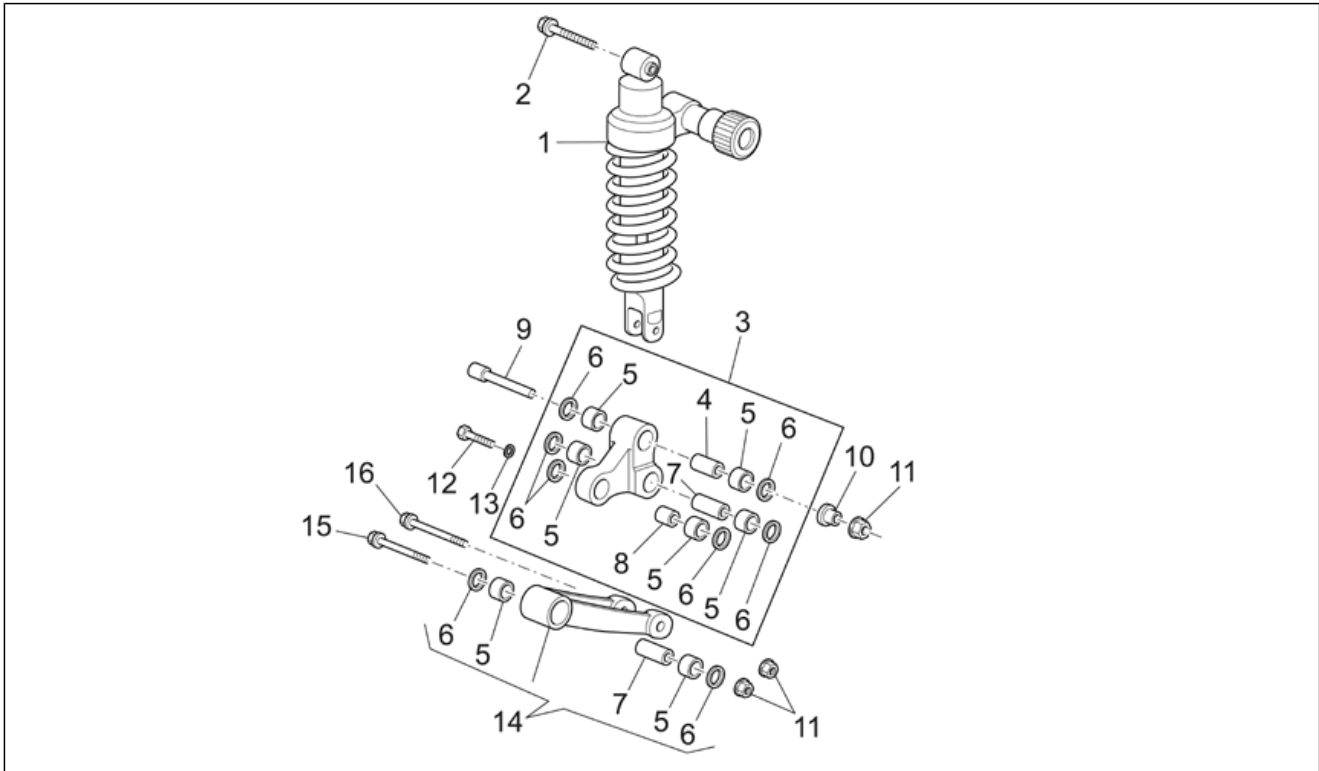
Pos.	Code	Description	Qty	Variants
1	GU05358330	Upper dust cover	1	
2	GU05351230	Oil plug M12x1,5	1	
3	GU90718120	Washer	1	
4	GU95510620	Pin 6x20	2	
5	GU05358130	Hose clamp	2	
6	GU05358030	Upper dust cover	1	
7	GU05358230	Hose clamp	1	
8	GU01528930	Gasket 10x18x1,5	1	
9	GU31003766	Oil unload plug M10x1	1	
10	GU90408511	Gasket ring 85x110x8BASL	1	
11	GU98680450	Hex socket screw M8x50	11	
12	GU05206530	Breather plug	1	
13	GU01528930	Gasket 10x18x1,5	1	
14	GU99210406	screw M3,9x6,5	2	
15	GU05358530	Ring	1	
16	GU05358630	Gasket	1	

Group	FRAME
Code	33.11
Description	Trans.cpl.-Bevel gear
Service	1



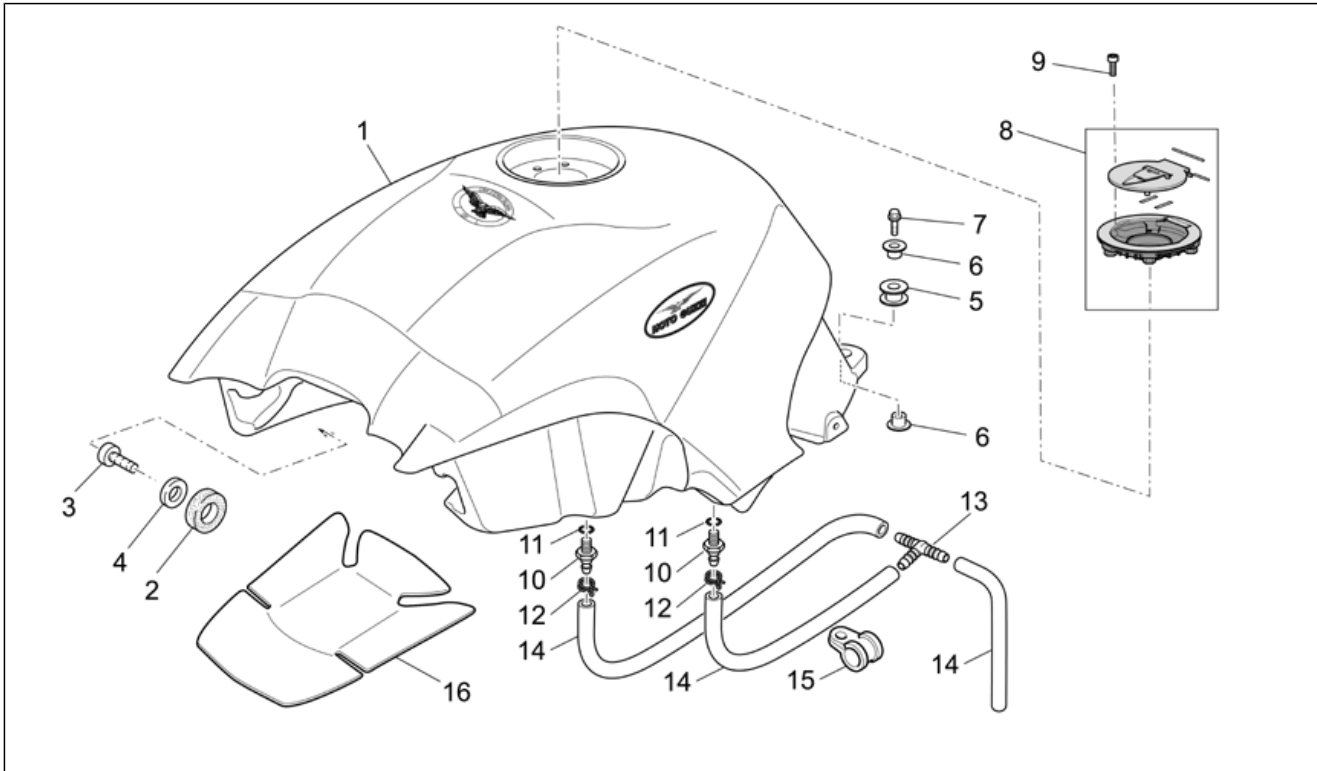
Pos.	Code	Description	Qty	Variants
1	GU05354230	Bevel gear kit 12/44	1	
2	GU05352430	Ring nut	1	
3	GU90404558	Gasket ring 45x58x7	1	
4	GU92208518	Ball bearing 85x120x18	1	
5	GU92204230	Ball bearing 30x62x16	1	
6	AP8121098	Bush	2	
7	AP8120485	Gasket ring	2	
8	GU90273026	Circlip	2	
9	GU05638130	Ball joint	1	

Group	FRAME
Code	33.12
Description	Connecting rod - rear shock abs.
Service	1



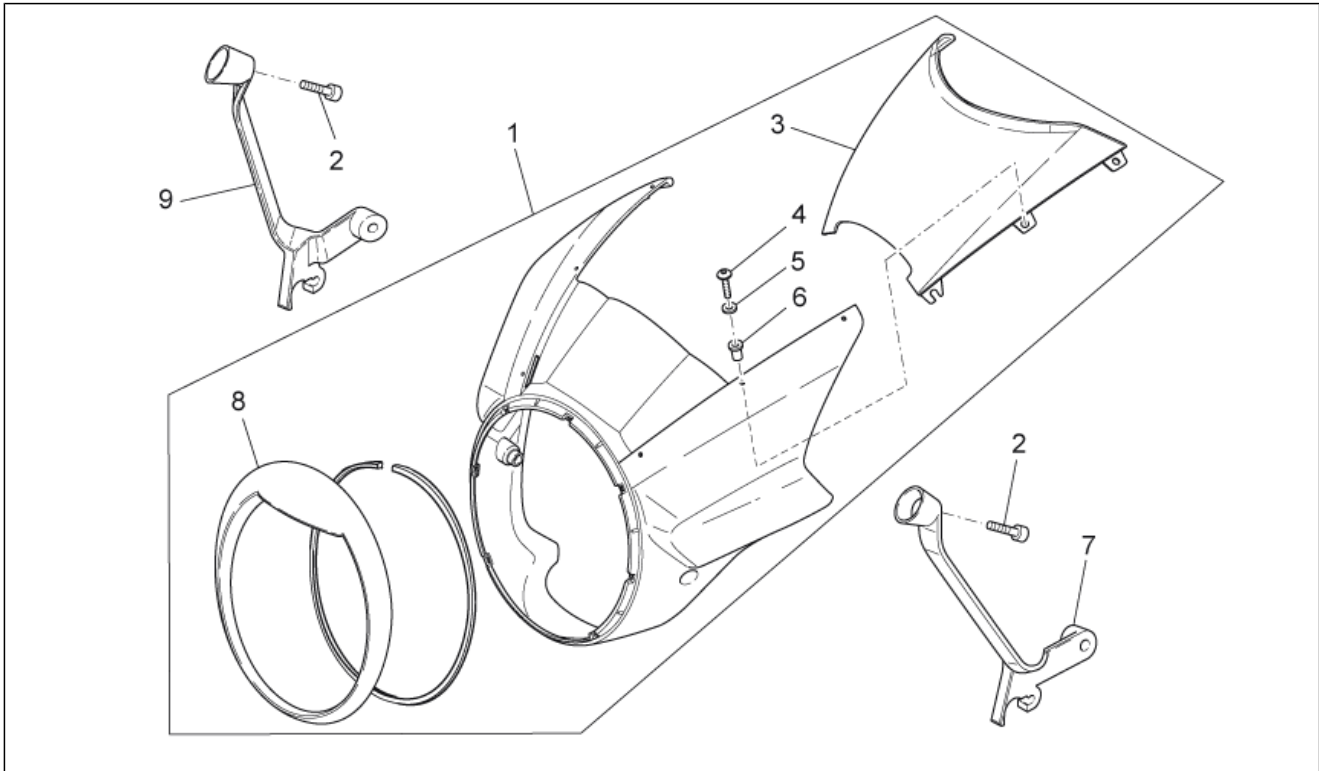
Pos.	Code	Description	Qty	Variants
1	GU05550230	Shock absorber	1	
2	AP8152398	Screw w/ flange M10x80	1	
3	GU05560330	Double conrod	1	
4	AP8135924	Double connecting rod pin L40	1	
5	AP8110066	Cage à rouleaux	7	
6	AP8110068	Oil seal D18x24x3	8	
7	GU05562030	Double connecting rod pin L47	2	
8	AP8135608	Double connecting rod pin L25	1	
9	AP8152397	Hex socket screw M10x82	1	
10	AP8121155	T bush *	1	
11	AP8152301	Self-locking nut	3	
12	AP8152147	Hex screw M10x47	1	
13	AP8150292	Curved spring washer *	1	
14	GU05562430	Single conrod comp.	1	
15	AP8152482	Screw w/ flange M10x85	1	
16	AP8152396	Screw w/ flange M10x95	1	

Group	FRAME
Code	33.13
Description	Fuel tank
Service	1



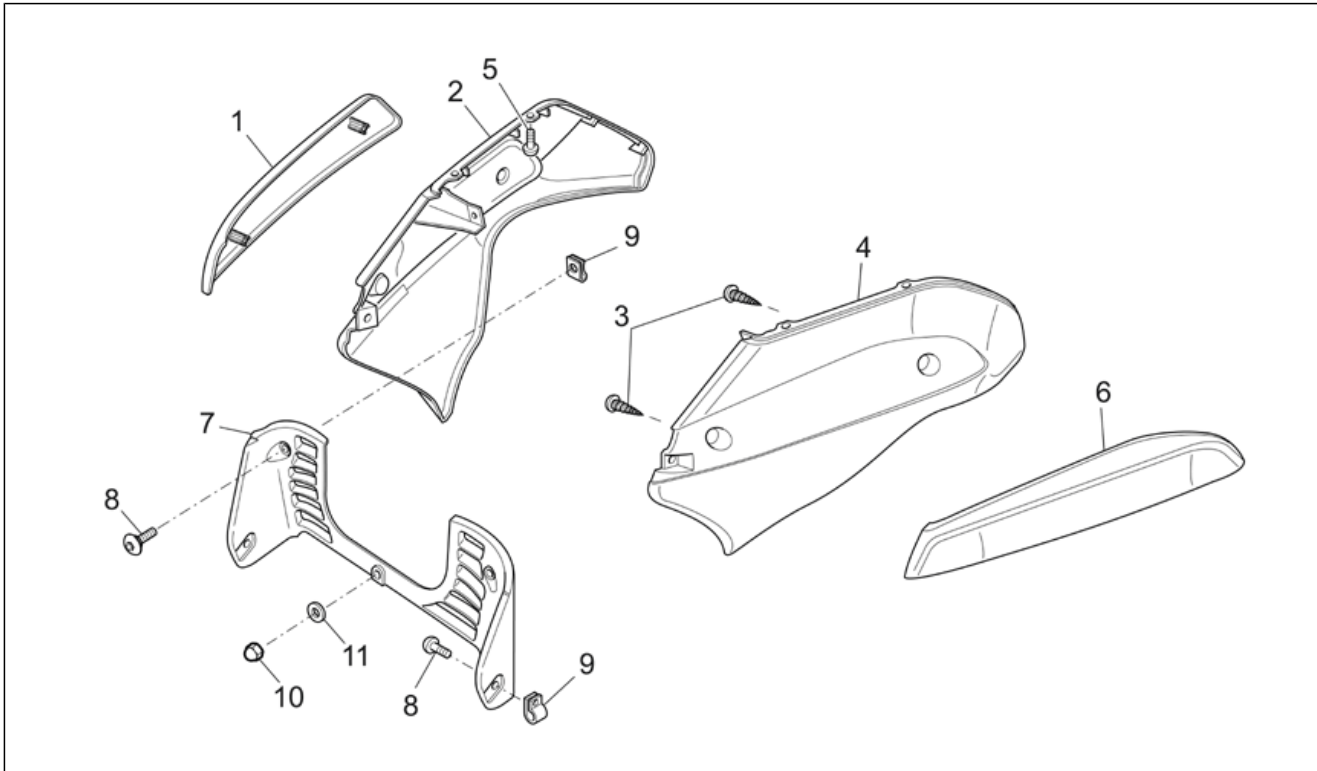
Pos.	Code	Description	Qty	Variants
1	GU05100230	Fuel tank blank	1	Country:Other country Europe[EU], Great Britain[UK]
1	GU05100231	Fuel tank red	1	Vehicle colour:Race Red 2006[r/re] Country:Other country Europe[EU], Great Britain[UK]
1	GU05100232	Fuel tank, black	1	Vehicle colour:Guzzi Black 2006[g/bl] Country:Other country Europe[EU], Great Britain[UK]
1	GU05100235	Fuel tank blank	1	Country:Canadian[CA], United States of America[USA]
1	GU05100236	Fuel tank red	1	Vehicle colour:Race Red 2006[r/re] Country:Canadian[CA], United States of America[USA]
1	GU05100237	Fuel tank, black	1	Vehicle colour:Guzzi Black 2006[g/bl] Country:Canadian[CA], United States of America[USA]
2	AP8201124	Rubber spacer *	2	
3	GU98682414	Hex socket screw	2	
4	GU95008208	Washer 8,4X15X1,5	2	
5	GU02107100	Rubber spacer	1	
6	AP8121804	Spacer *	2	
7	AP8152291	Screw w/ flange	1	
8	GU05103930	Tank cap	1	
9	B043864	Hex socket screw M5x14	4	
10	GU30103730	Joint	2	
11	AP8120965	O-ring 2018	2	
12	AP8101595	Hose clamp D10,1	2	
13	AP8104666	3-way union	1	
14	AP8120952	Fuel pipe 5,5x10	3	
15	AP8104451	Cable-guide	2	
16	GU05102930	Fuel tank central insulation	1	

Group	FRAME
Code	33.14
Description	Front body I
Service	1



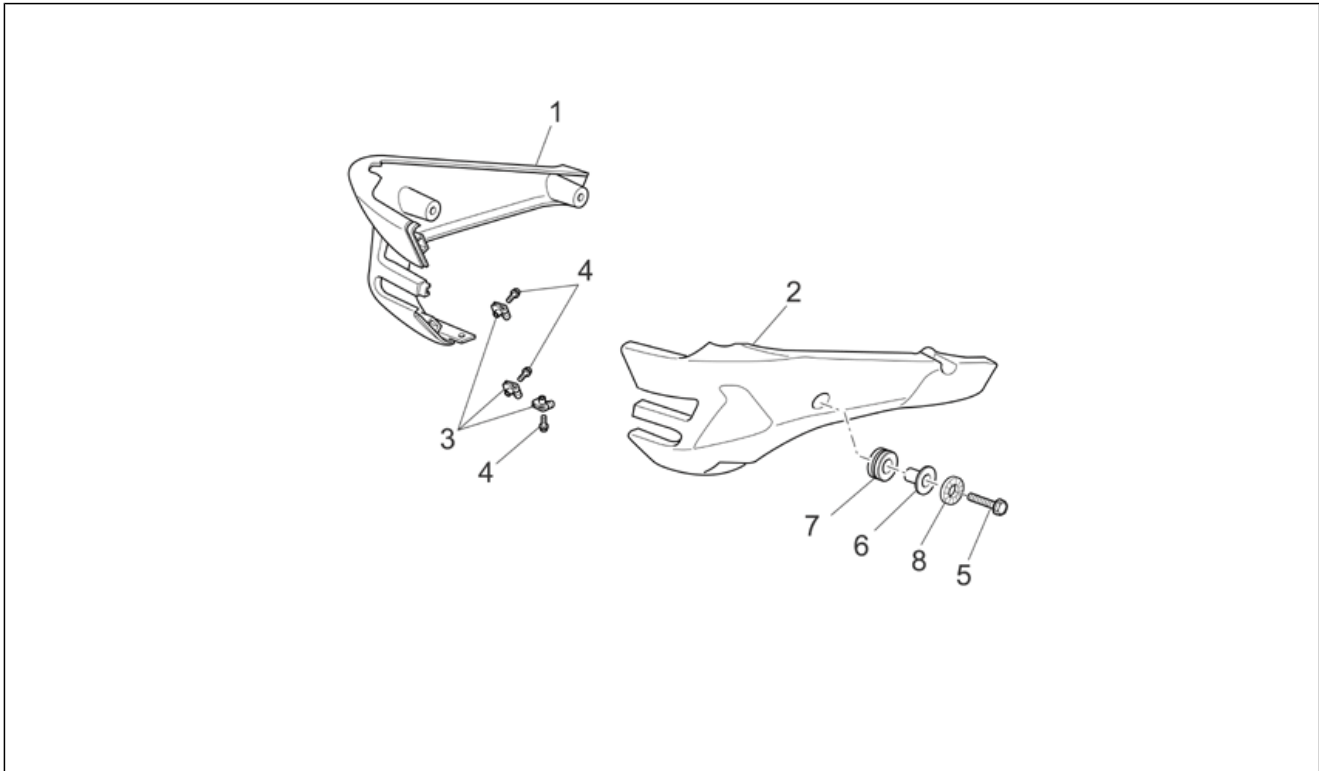
Pos.	Code	Description	Qty	Variants
1	977818Y01	Windshield assy.red	1	Vehicle colour:Race Red 2006[r/re]
1	977818Y02	Windshield assy.black	1	Vehicle colour:Guzzi Black 2006[g/bl]
2	GU98692216	Hex socket screw	2	
3	977749	Fr.fairing lockup blank	1	
3	97781987	Fr.fairing lockup white	1	
4	GU98370412	Hex socket screw M4x12	6	
5	AP8144565	Nylon washer	6	
6	GU93231604	Antivibration bush M4x7,9x12,7	6	
7	977751	LH windshield support	1	
8	977750NA	Light frame, black	1	
9	977752	RH windshield support	1	

Group	FRAME
Code	33.15
Description	Front body II
Service	1



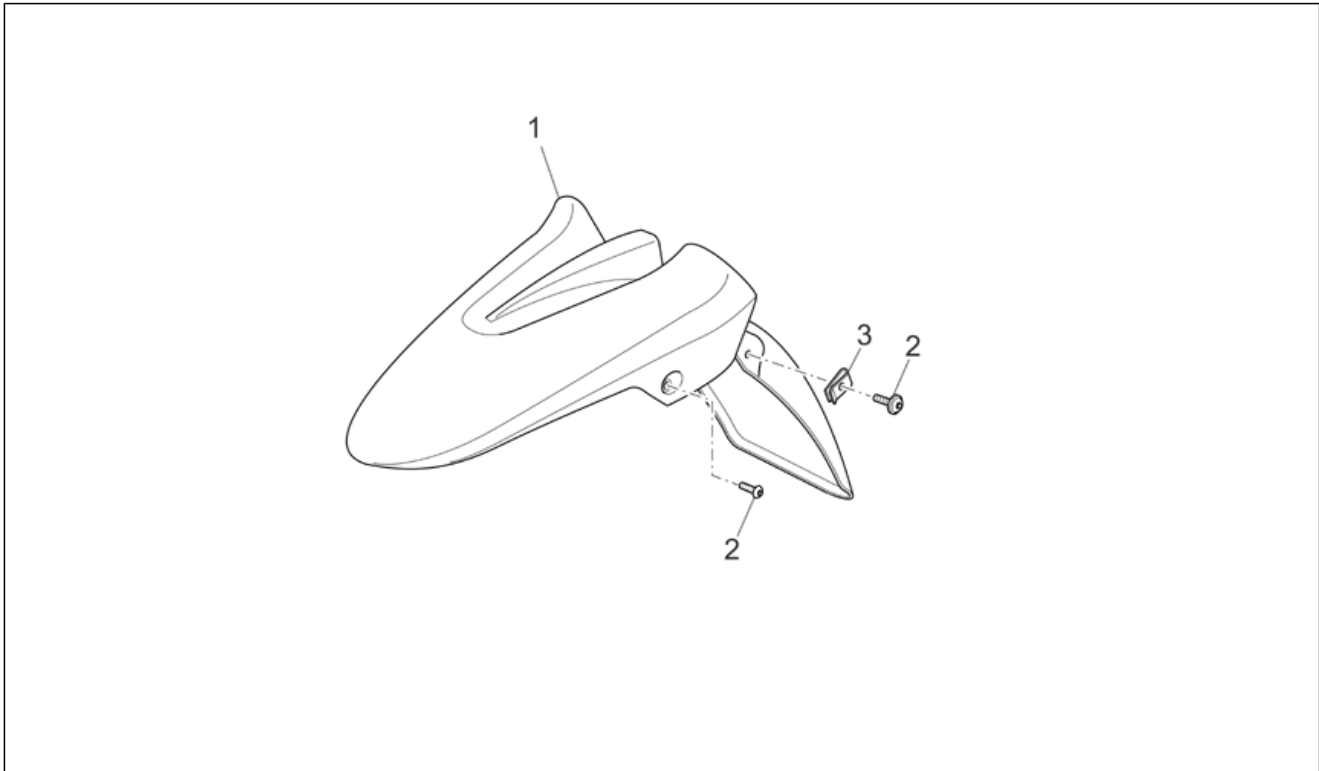
Pos.	Code	Description	Qty	Variants
1	GU05576631	RH protection	1	
2	GU05576230	RH lateral fairing, blank	1	
2	GU05576230NA	RH lat.fairing, black	1	
3	AP8150413	Self-tap screw 3,9x14	4	
4	GU05576330	LH lateral fairing, blank	1	
4	GU05576330NA	LH lat.fairing, black	1	
5	AP8152339	Screw w/ flange M5x9	6	
6	GU05576731	LH protection	1	
7	GU05476430	Water cooler grille	1	
8	AP8152302	Screw w/ flange M5x12	4	
9	AP8102375	Clip m5	4	
10	GU92787205	Cap nut	1	
11	GU95005304	Washer 5,2x18x1,5	1	

Group	FRAME
Code	33.16
Description	Pillar
Service	1



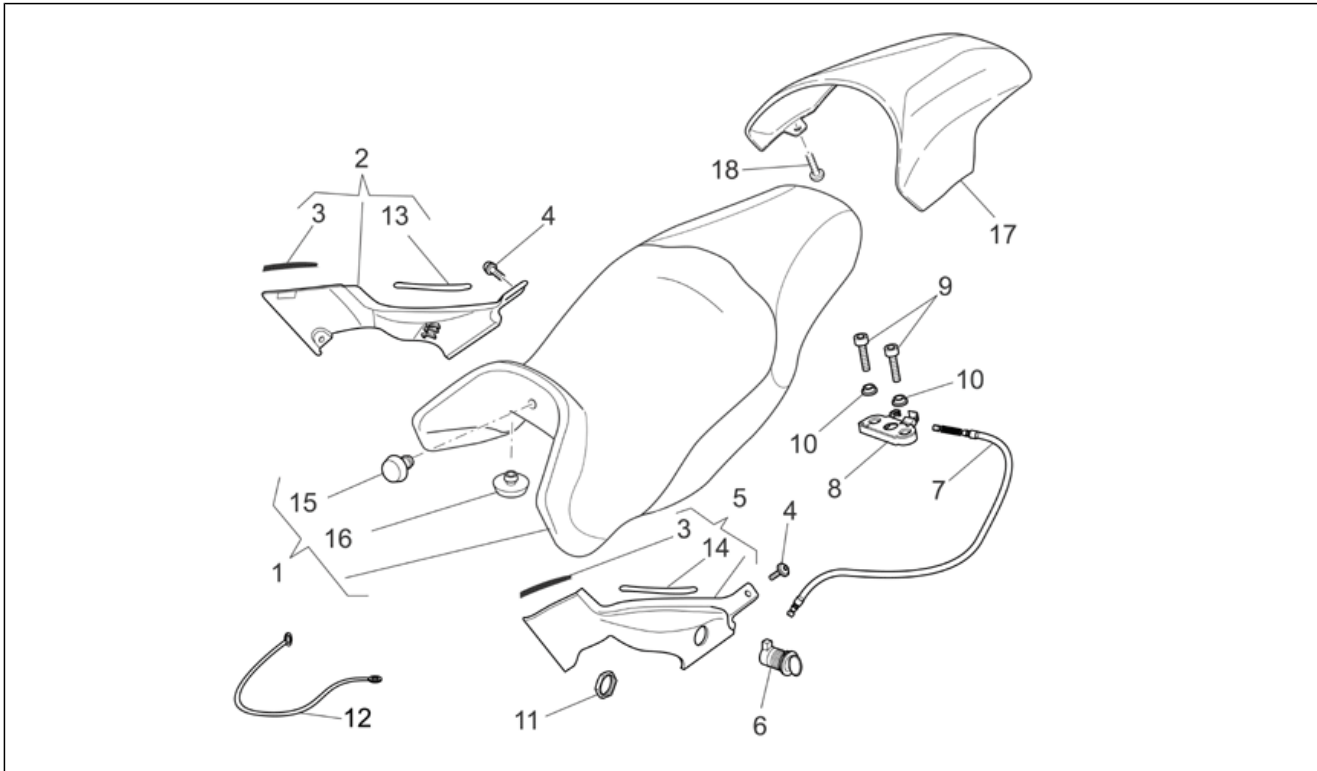
Pos.	Code	Description	Qty	Variants
1	GU05570530	RH Pillar	1	
2	GU05570630	LH Pillar	1	
3	AP8102375	Clip m5	3	
4	AP8152339	Screw w/ flange M5x9	3	
5	AP8152287	Screw w/ flange M8x25	4	
6	AP8221128	T bush 8,5x10,7x12	4	
7	AP8120594	Rubber spacer	4	
8	GU95008308	Washer	4	

Group	FRAME
Code	33.17
Description	Front mudguard
Service	1



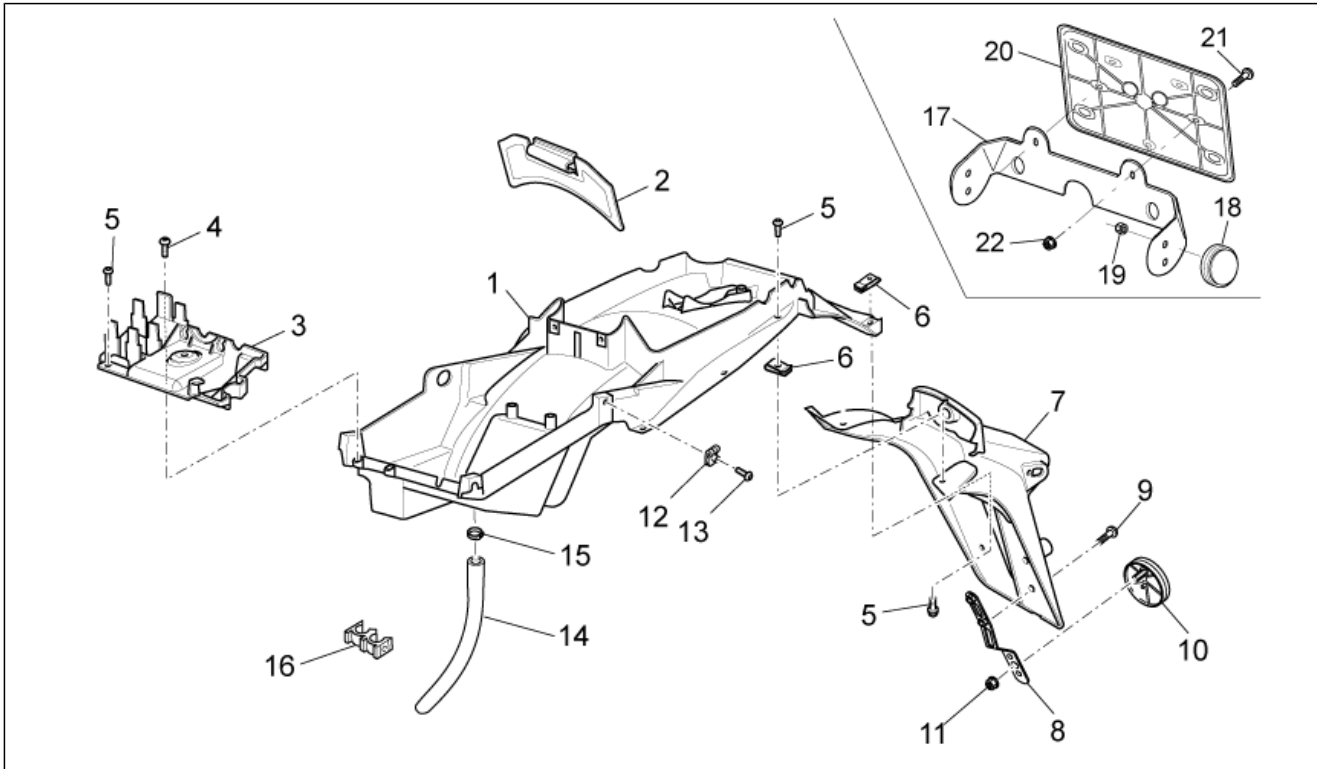
Pos.	Code	Description	Qty	Variants
1	GU05434330	Front mudguard blank	1	
1	GU05434331	Front mudguard, red	1	Vehicle colour:Race Red 2006[r/re]
1	GU05434332	Front mudguard, black	1	Vehicle colour:Guzzi Black 2006[g/bl]
2	AP8152302	Screw w/ flange M5x12	4	
3	AP8102375	Clip m5	2	

Group	FRAME
Code	33.18
Description	Saddle-Central bod
Service	1



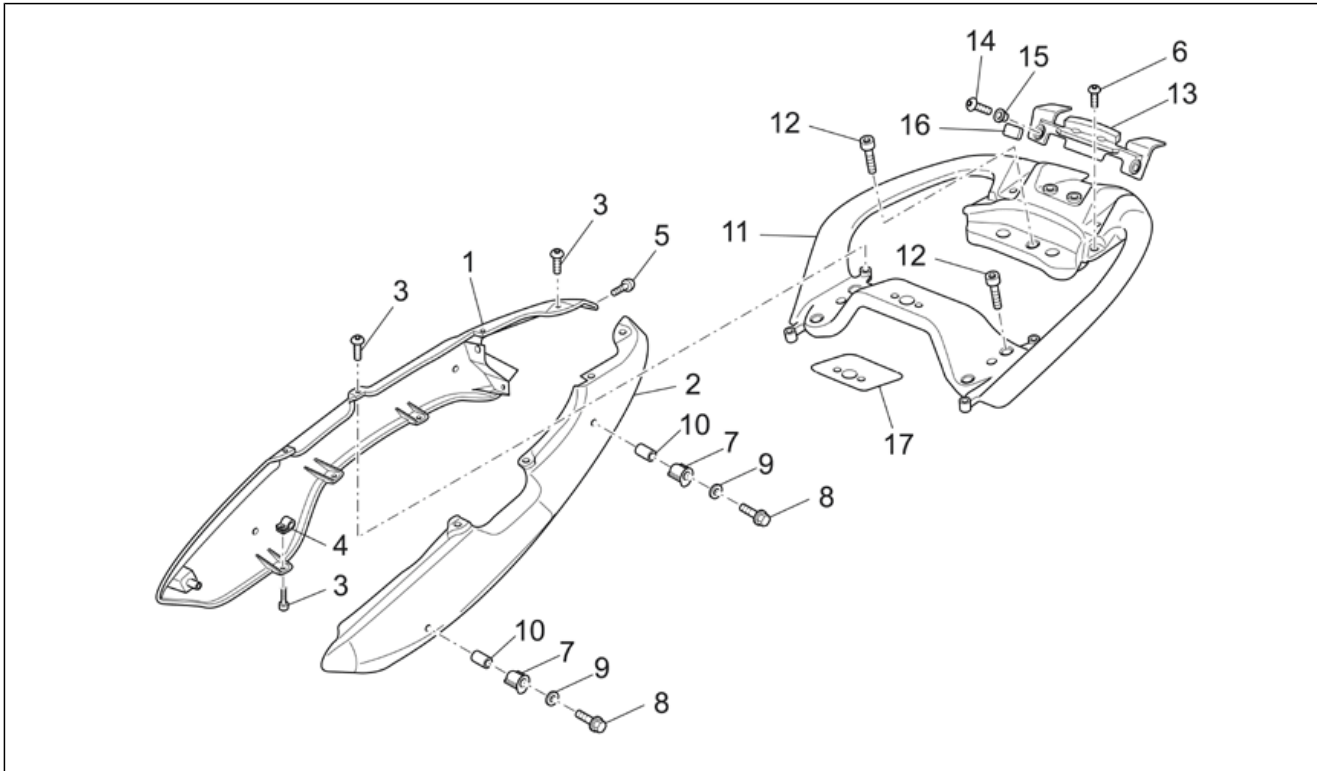
Pos.	Code	Description	Qty	Variants
1	977831	Two-seat saddle	1	
2	GU05570230	RH body panel blank	1	
2	GU05570231	RH side panel, red	1	Vehicle colour:Race Red 2006[r/re]
2	GU05570232	RH side panel, black	1	Vehicle colour:Guzzi Black 2006[g/bl]
3	AP8144538	Gasket	2	
4	AP8152339	Screw w/ flange M5x9	2	
5	GU05570430	LH body panel blank	1	
5	GU05570431	LH side panel, red	1	Vehicle colour:Race Red 2006[r/re]
5	GU05570432	LH side panel, black	1	Vehicle colour:Guzzi Black 2006[g/bl]
6	GU05466830	Saddle lock	1	
7	AP8102914	Saddle release cable	1	
8	AP8102913	Pass.saddle connecting plate	1	
9	GU98370625	Hex socket screw	2	
10	AP8152299	Self-locking nut M6	2	
11	AP8102523	Lock nut M22x1,5	1	
12	AP8102502	Helmet lock cable	1	
13	GU05573830	RH side fairing decal	1	
14	GU05573831	LH side fairing decal	1	
15	GU32461810	Rubber spacer	5	
16	GU32461610	Rubber spacer	10	
17	977754	Cover pillion rider seat blank	1	
17	977754Y01	Cover pillion rider seat red	1	Vehicle colour:Race Red 2006[r/re]
17	977754Y02	Saddle cover, black	1	Vehicle colour:Guzzi Black 2006[g/bl]
18	GU98370616	Hex socket screw M6x16 inox	2	

Group	FRAME
Code	33.19
Description	Rear body - Mudguard
Service	1



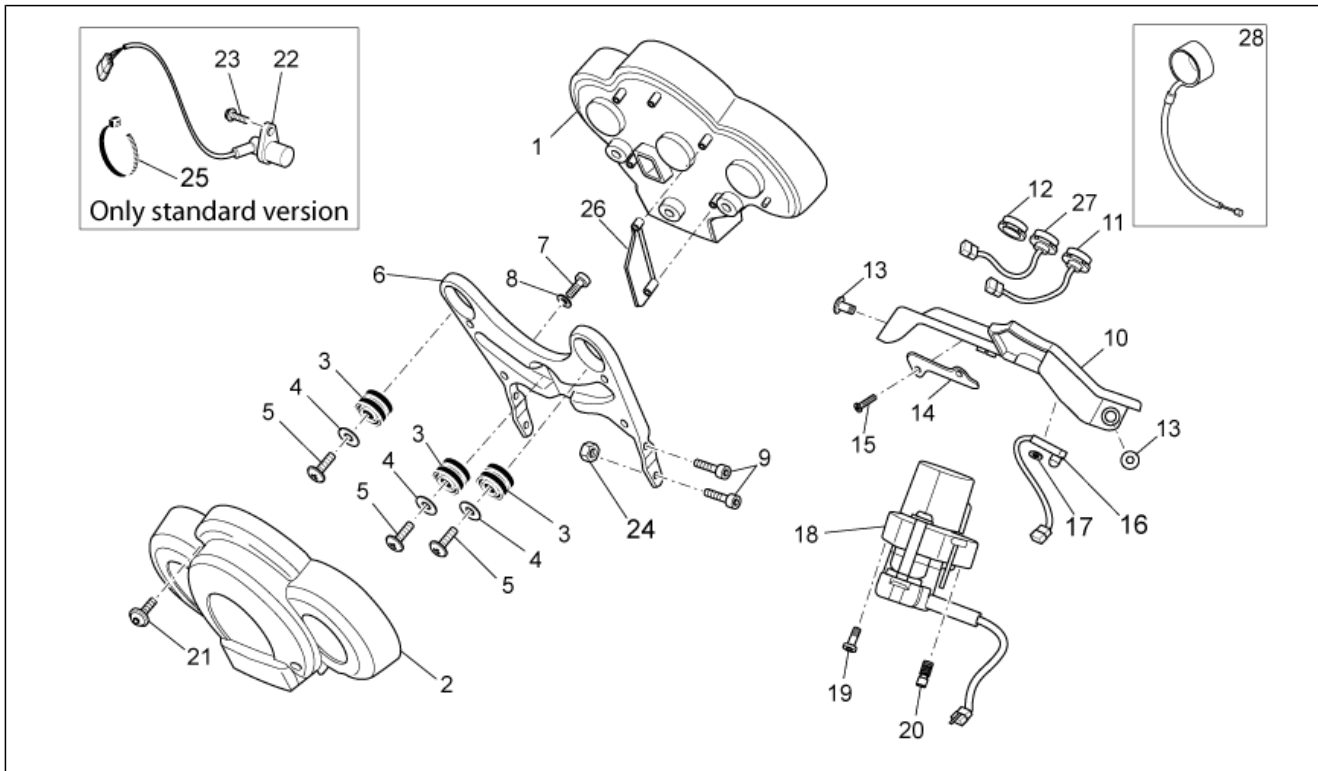
Pos.	Code	Description	Qty	Variants
1	883828	Splash guard	1	Technical Specifications: Vehicle with YT20-BS battery[B]
1	GU05438730	Splash guard	1	Technical Specifications: Vehicle with YTX20CH-BS battery[A]
2	GU05479630	Door	1	
3	GU05780530	Maintenance	1	
4	AP8152329	Phillips screw, SWP M5x20	3	
5	AP8152339	Screw w/ flange M5x9	7	
6	AP8102375	Clip m5	4	
7	GU05438630	Number plate holder	1	
8	AP8134448	Reflector support	1	
9	AP8152267	Hex socket screw M5x12	2	
10	AP8224164	Rear reflector, red	1	
11	AP8152306	Self-locking nut m5	1	
12	GU28576591	Clip M6	6	
13	GU98370614	Hex socket screw M6x14	6	
14	AP8120952	Fuel pipe 5,5x10	1	
15	AP8101595	Hose clamp D10,1	1	
16	AP8201808	Cable-guide D8	2	
17	AP8258253	Rear reflector support	1	Country: Canadian[CA], United States of America[USA]
18	AP8224164	Rear reflector, red	2	Country: Canadian[CA], United States of America[USA]
19	AP8152306	Self-locking nut m5	2	Country: Canadian[CA], United States of America[USA]
20	AP8149034	Number plate support	1	Country: Canadian[CA], United States of America[USA]
21	GU98210616	Screw w/ flange M6x16 inox	2	Country: Canadian[CA], United States of America[USA]
22	AP8152299	Self-locking nut M6	2	Country: Canadian[CA], United States of America[USA]

Group	FRAME
Code	33.20
Description	Rear body - Rear fairing
Service	1



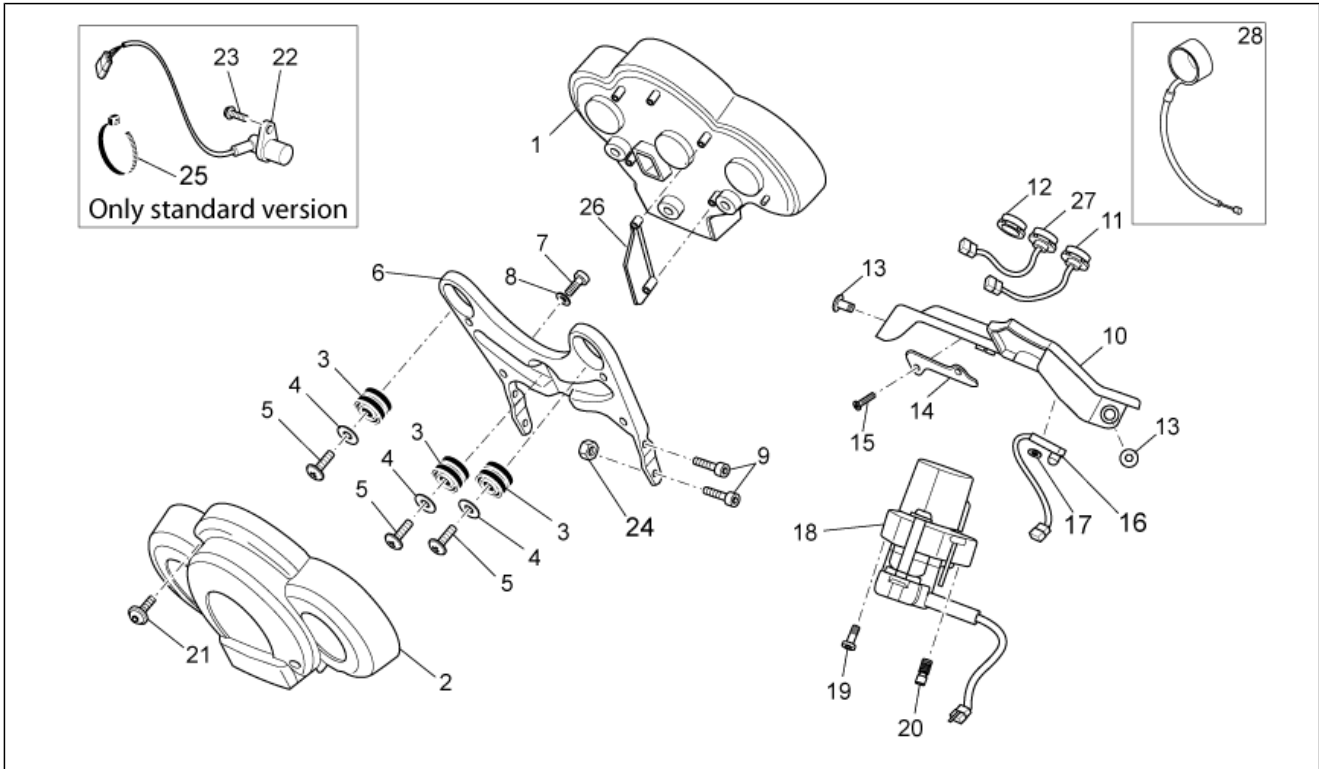
Pos.	Code	Description	Qty	Variants
1	GU05573230	RH rear fairing, blank	1	
1	GU05573230Y01A	RH rear fairing, red	1	Vehicle colour:Race Red 2006[r/re]
1	GU05573230Y02	RH rear fairing, black	1	Vehicle colour:Guzzi Black 2006[g/bl]
2	GU05573330	LH rear fairing, blank	1	
2	GU05573330Y01A	LH rear fairing, red	1	Vehicle colour:Race Red 2006[r/re]
2	GU05573330Y02	RH rear fairing, black	1	Vehicle colour:Guzzi Black 2006[g/bl]
3	AP8152339	Screw w/ flange M5x9	10	
4	AP8102375	Clip m5	10	
5	GU98682215	Hex socket screw	2	
6	AP8152302	Screw w/ flange M5x12	2	
7	GU05467330	Hook	4	
8	AP8152292	Screw w/ flange	4	
9	GU03270300	Washer 8,4x15	4	
10	GU91120924	Spacer 9x18x24	4	
11	GU05464330NA	Handle. Black	1	
12	GU98682425	Hex socket screw M8x25	5	
13	GU05464830	Cover	1	
14	AP8152055	Hex socket screw M8x12	2	
15	AP8121096	T bush 8,2x12x4	2	
16	AP8120455	Rubber spacer	2	
17	GU32944210	Guard decal	1	

Group	FRAME
Code	33.21
Description	Dashboard
Service	1



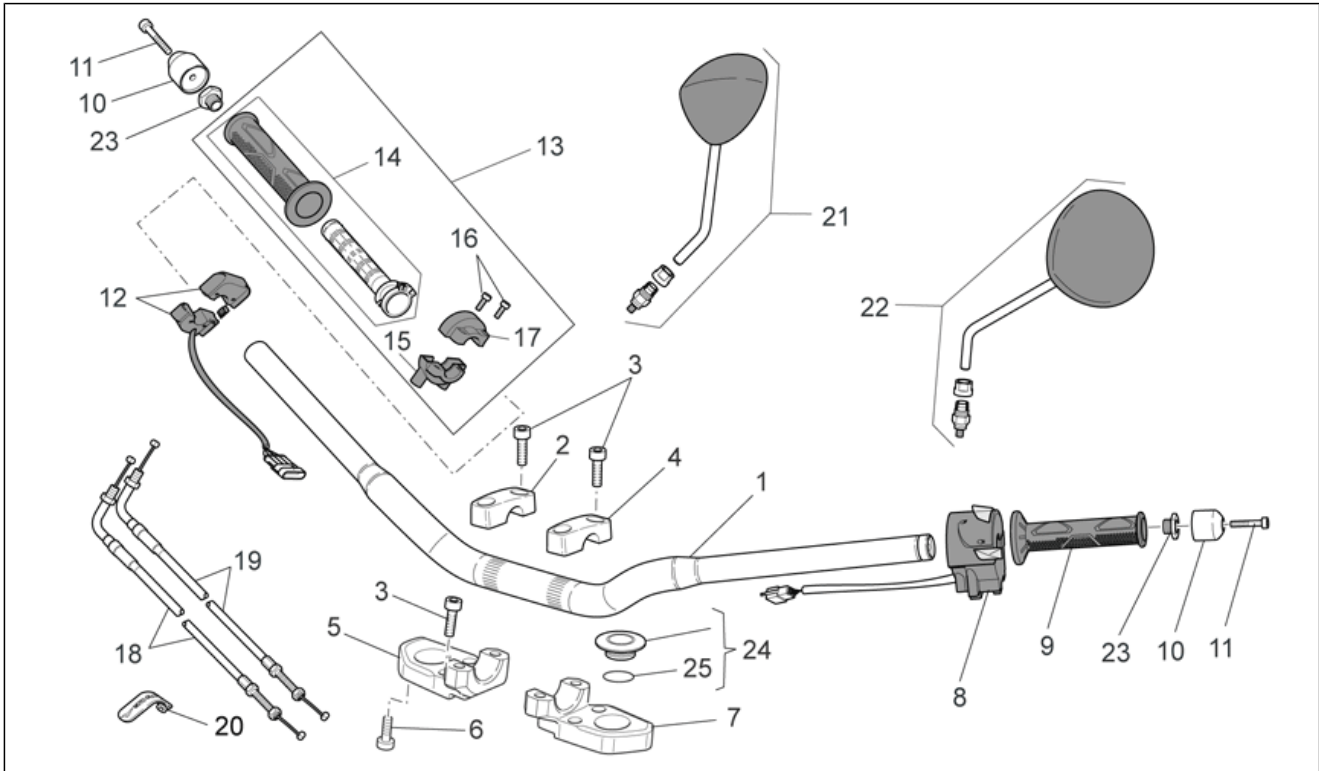
Pos.	Code	Description	Qty	Variants
1	883346	Dashboard complete	1	Country:Great Britain[UK], United States of America[USA]
1	977882	Dashboard complete	1	Country:Canadian[CA], Other country Europe[EU]
2	GU05766530	Cover	1	
3	AP8220150	Rubber spacer	3	
4	AP8150255	Washer 5x20x1,5	3	
5	AP8150509	Self-tap screw 5x14	3	
6	GU05764030	Support plate	1	
7	GU98682416	Hex socket screw M8x16	1	
8	GU03270300	Washer 8,4x15	1	
9	GU98692313	Hex socket screw M6x12	2	
9	GU98692325	Hex socket screw M6x25	2	
10	GU05764330	Dashboard panel	1	
11	GU05745730	Switch Hazard	1	
12	GU05764430	Cover	2	Technical Specifications:Version without ABS[noABS]
12	GU05764430	Cover	1	Technical Specifications:ABS version[ABS]
13	AP8152339	Screw w/ flange M5x9	2	
14	GU05764530	Plate	1	
15	AP8150421	Self-tap screw 2,9x12	2	
16	AP8124936	Air temp. Sensor	1	
17	GU90274002	Washer for shafts	2	
18	GU05782530	Main switch - steering lock	1	
19	GU98682430	Hex socket screw M8x30	1	
20	AP8152238	Shear rivet M8x28	1	
21	AP8152334	Screw w/ flange M3x12	4	
22	AP8124985	Speedometer sensor cpl.	1	Technical Specifications:Version without ABS[noABS]
23	AP8152278	Screw w/ flange M6x16	1	Technical Specifications:Version without ABS[noABS]
24	GU92630206	Nut M6x1	2	
25	GU49609601	Hose clamp 2,4x92	2	Technical Specifications:Version without ABS[noABS]

Group	FRAME
Code	33.21
Description	Dashboard
Service	1



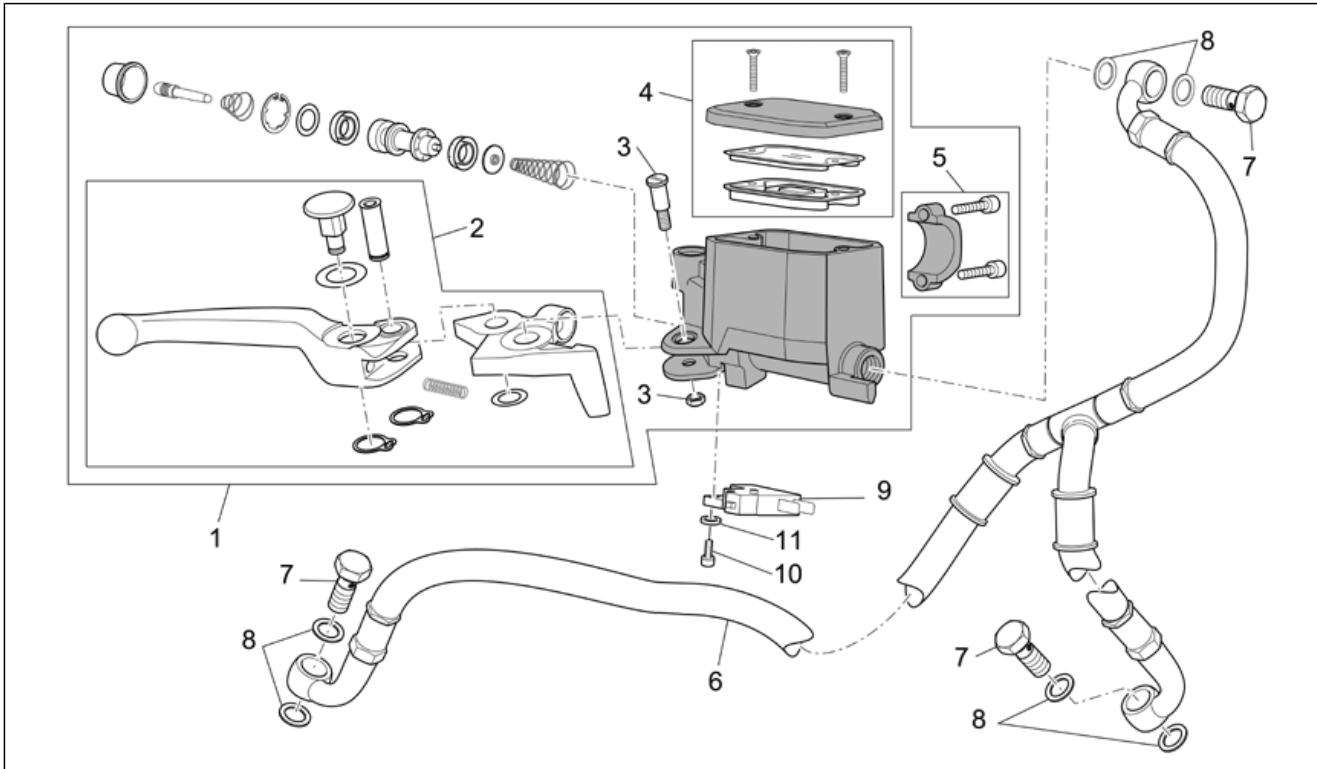
Pos.	Code	Description	Qty	Variants
26	GU05767830	Protection	1	
27	GU05780430	Switch ABS	1	Technical Specifications: ABS version[ABS]
28	981087	Immobilizer antenna	1	

Group	FRAME
Code	33.22
Description	Handlebar - Controls
Service	1



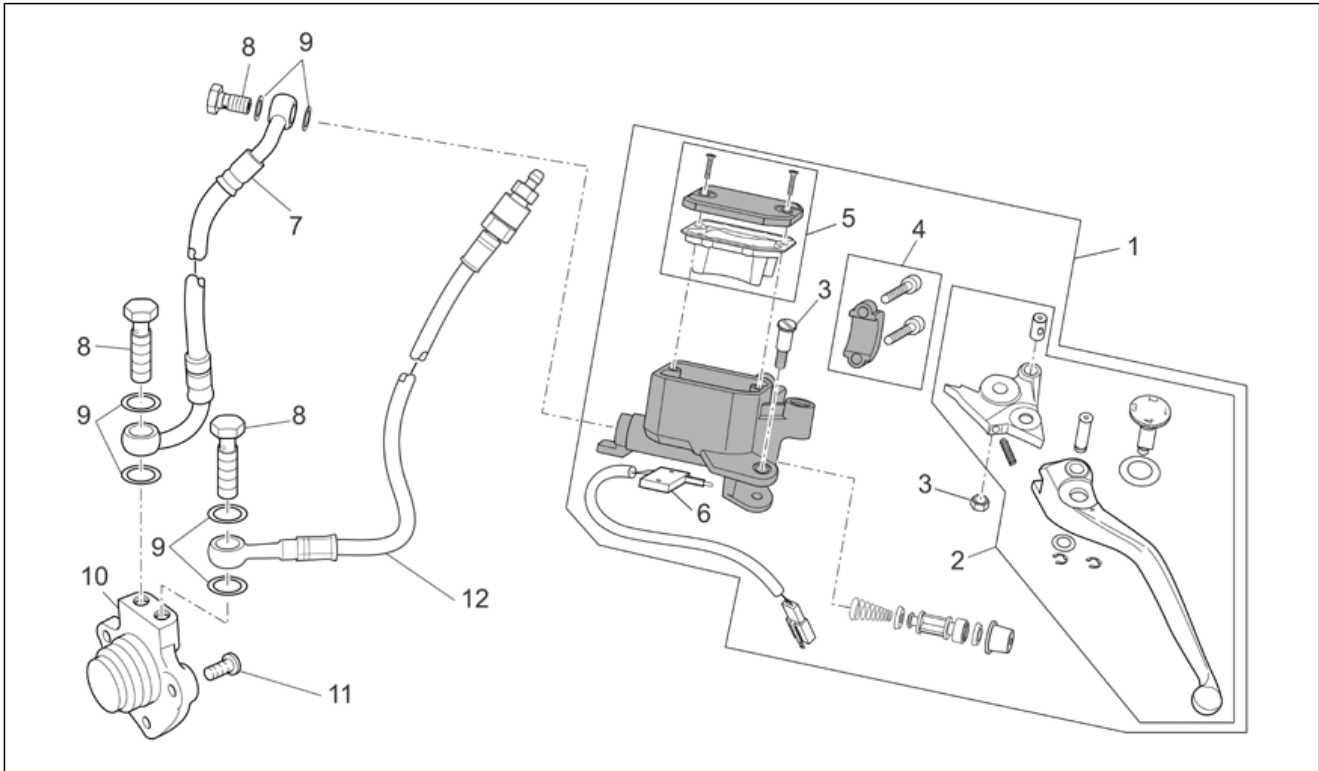
Pos.	Code	Description	Qty	Variants
1	977746	Handlebar	1	
2	977744	RH U-bolt	1	
3	GU98690435	Hex socket screw M8x35	8	
4	977745	LH U-bolt	1	
5	977742	RH lower U-bolt	1	
6	GU98692425	Hex socket screw M8x25	2	
7	977743	LH lower U-bolt	1	
8	GU05738030	LH lights selector	1	
9	AP8118579	LH hand grip	1	
10	AP8104509	Anti.v weight, black	2	
11	GU98680340	Hex socket screw M6x40	2	
12	B045021	RH lights selector	1	
13	GU05603331	Throttle cpl.	1	
14	GU01603480	RH hand grip	1	
15	AP8118502	Front gas lever U-bolt	1	
16	AP8118492	Cap screw	2	
17	AP8118503	Rear gas lever U-bolt	1	
18	977862	Gas trasmission delivery	1	
19	977863	Gas trasmission return	1	
20	GU01609630	Hose clamp L46 mm	2	
20	GU03609600	Hose clamp L36 mm	4	
21	AP8104921	RH rearview mirror	1	
22	AP8104922	LH rearview mirror	1	
23	AP8121520	Anti vib.weight trailing	1	
24	978111	Plug cpl.	2	
25	GU90706331	O-ring	2	

Group	FRAME
Code	33.23
Description	Front master cilinder
Service	1



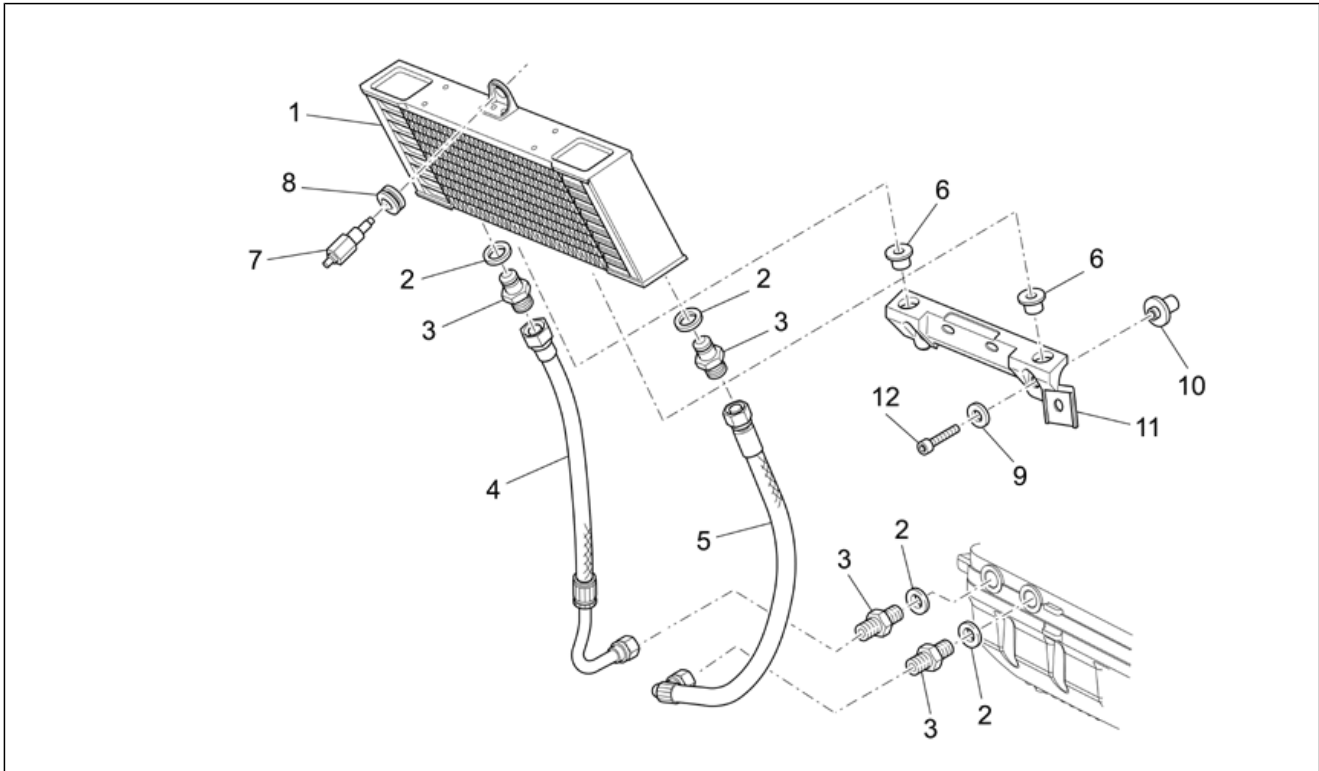
Pos.	Code	Description	Qty	Variants
1	978606	Front master cilinder	1	Technical Specifications: Second series[2A], Silver colour lever adjustment ring nut[SL]
1	GU05660130	Front master cilinder	1	Technical Specifications: First series[1A], Gold colour lever adjustment ring nut[GL]
2	981050	Front brake lever	1	Technical Specifications: Second series[2A], Silver colour lever adjustment ring nut[SL]
2	AP8133510	Front brake lever	1	Technical Specifications: First series[1A], Gold colour lever adjustment ring nut[GL]
3	AP8113995	Lever pin	1	
4	GU05661130	Tank cap	1	
5	AP8113993	U-bolt	1	
6	GU05658830	Front brake hose	1	Technical Specifications: Version without ABS[noABS]
7	AP8133594	Oil pipe screw	3	
8	GU25656100	Gasket	6	
9	GU03749845	Stop switch	1	
10	GU98370412	Hex socket screw M4x12	1	
11	GU95021104	Washer 4,3x8x1,5	1	

Group	FRAME
Code	33.24
Description	Clutch control complete
Service	1



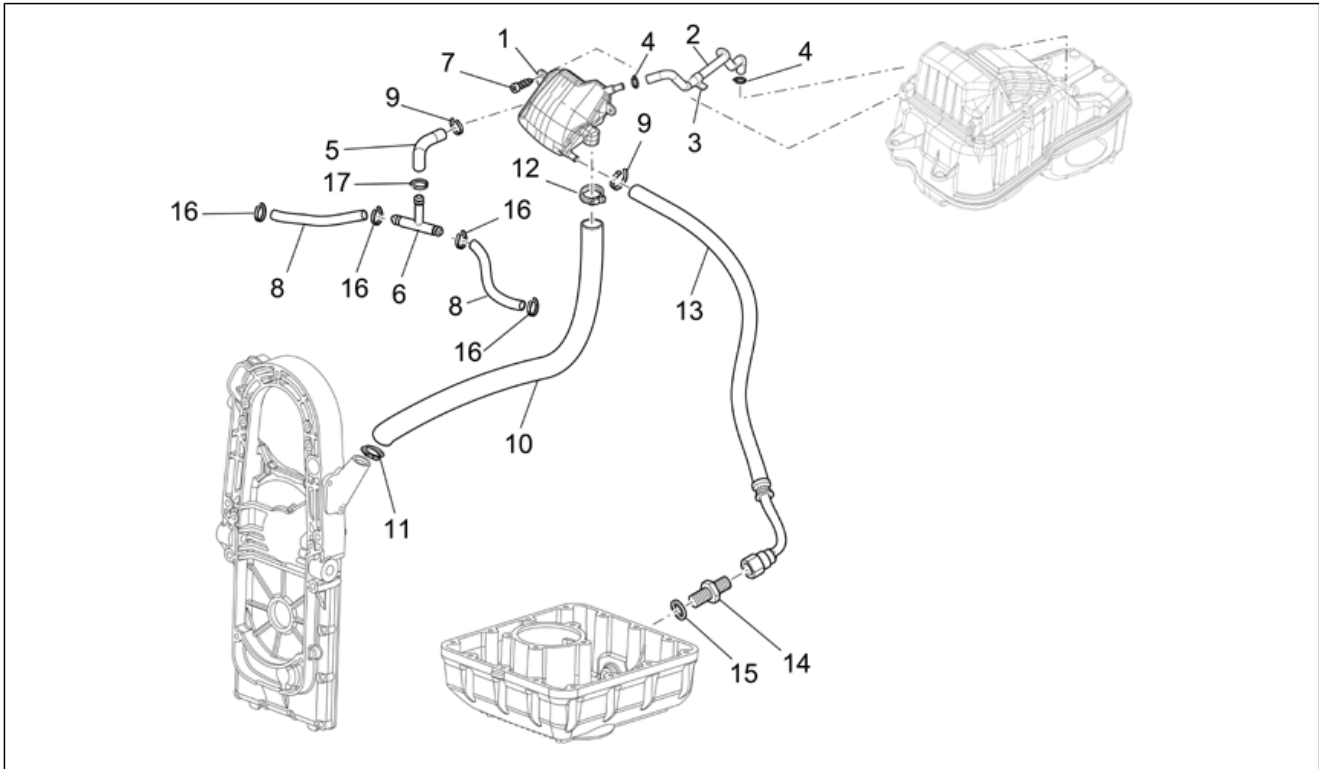
Pos.	Code	Description	Qty	Variants
1	978607	Clutch pump	1	Technical Specifications: Second series[2A], Silver colour lever adjustment ring nut[SL]
1	AP8106713	Clutch pump	1	Technical Specifications: First series[1A], Gold colour lever adjustment ring nut[GL]
2	981046	Clutch lever	1	Technical Specifications: Second series[2A], Silver colour lever adjustment ring nut[SL]
2	AP8118659	Clutch lever	1	Technical Specifications: First series[1A], Gold colour lever adjustment ring nut[GL]
3	GU03604845	Lever pin	1	
4	AP8113993	U-bolt	1	
5	AP8113997	Tank cap	1	
6	AP8113998	Microswitch	1	
7	GU05606530	Clutch pipe	1	
8	AP8133594	Oil pipe screw	3	
9	AP8121915	Gasket	6	
10	GU05086330	Clutch command cylinder	1	
11	AP8152278	Screw w/ flange M6x16	3	
12	GU05606630	Float chambe clutch pipe	1	

Group	FRAME
Code	33.25
Description	Oil radiator
Service	1



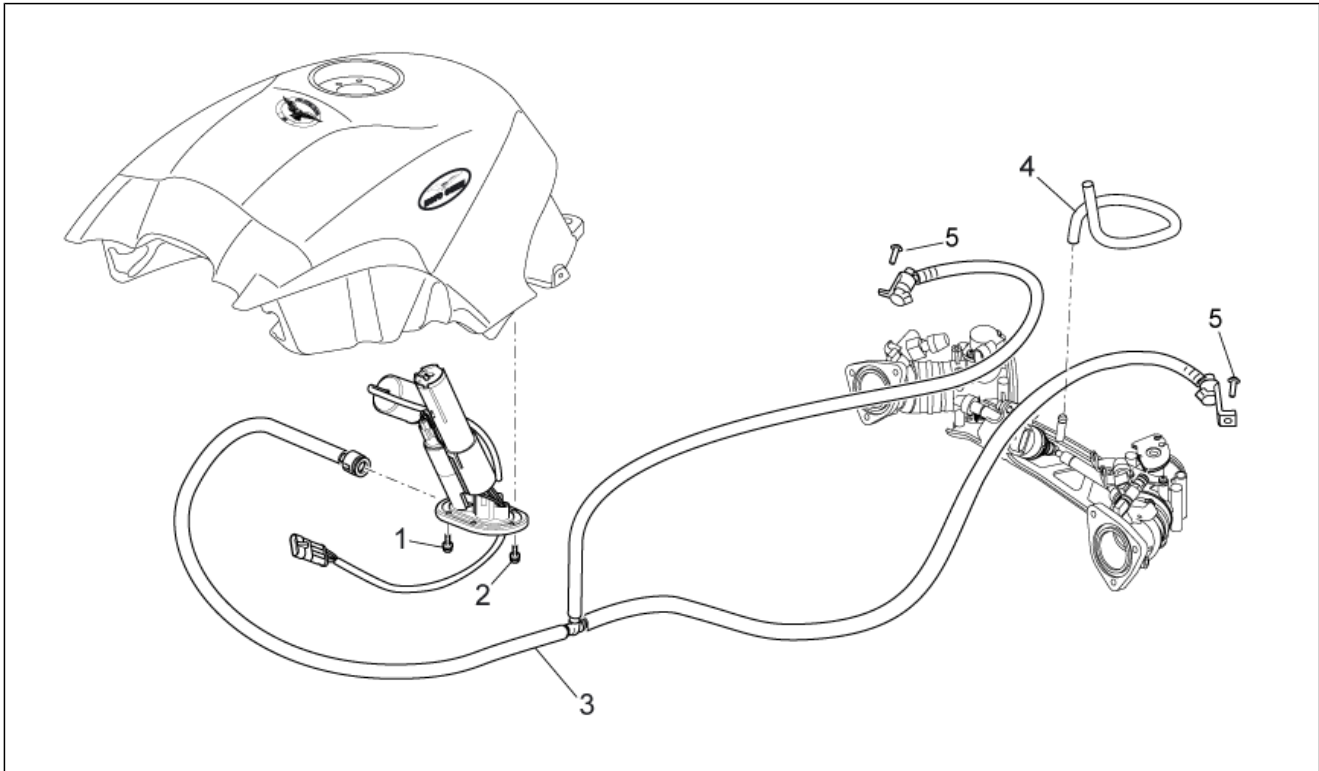
Pos.	Code	Description	Qty	Variants
1	GU05162031	Oil cooler cpl.	1	
2	GU01154230	Gasket	4	
3	GU01161331	Reduction	4	
4	GU05162331	RH pipe	1	
5	GU05161631	LH pipe	1	
6	AP8101372	Silent-block	2	
7	GU05164630	Special screw	1	
8	GU91551010	Rubber spacer	1	
9	GU95005306	Washer 6,4x13x1,5	2	
10	GU91120622	Bushing 6,2x11x22,5	2	
11	GU05164230	Bracket	1	
12	GU98680340	Hex socket screw M6x40	2	

Group	FRAME
Code	33.26
Description	Blow-by system
Service	1



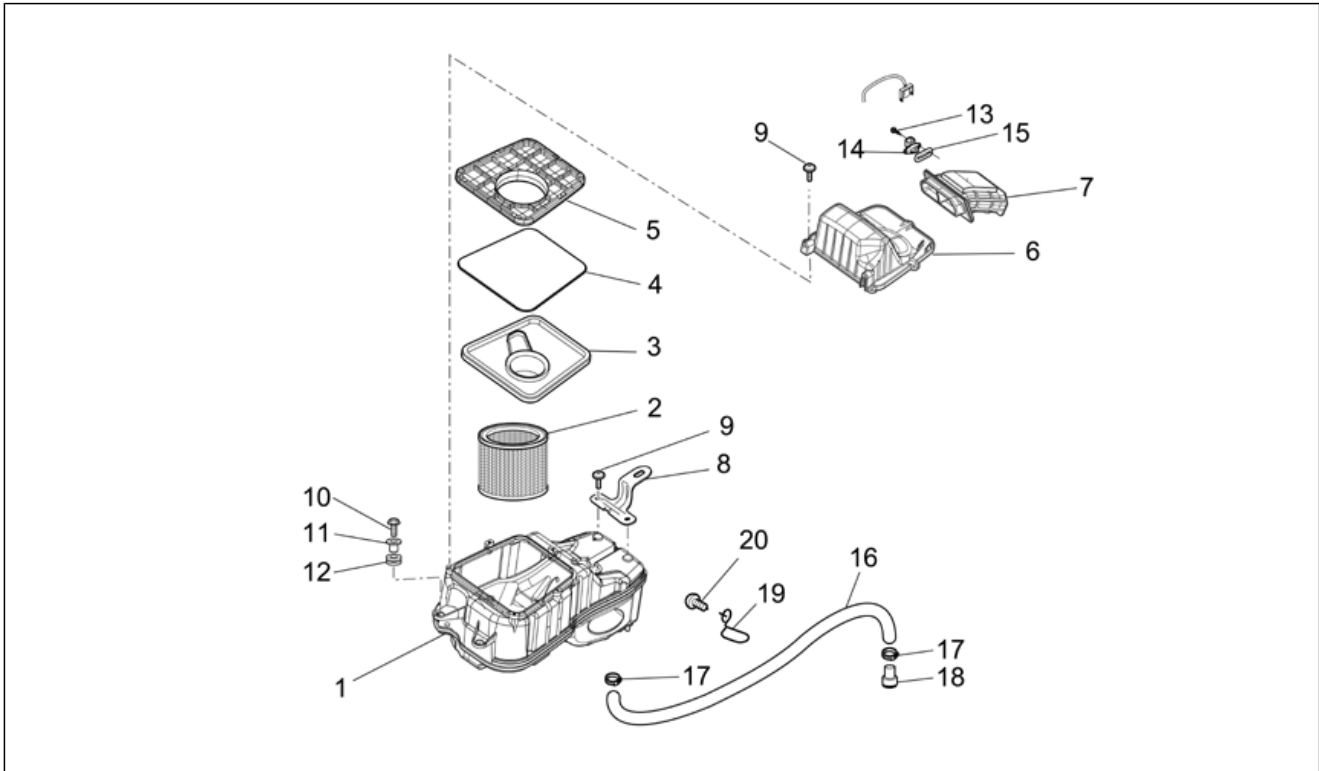
Pos.	Code	Description	Qty	Variants
1	GU05153430	Housing	1	
2	GU05157430	Breather pipe	1	
3	AP8102151	Black hose D12*	1	
4	AP8102520	Hose clamp	2	
5	GU05159630	Breather pipe	1	
6	GU95960609	3-way union	1	
7	AP8150509	Self-tap screw 5x14	2	
8	GU00823955080	Breather pipe	2	
9	AP8101586	Hose clip D.15,5x6,6	2	
10	GU05157630	Breather pipe	1	
11	AP8101588	Hose clip D.24,5x8,6	1	
12	GU93306018	Hose clamp 17X29X8	1	
13	GU05159330	Pipe	1	
14	GU01161331	Reduction	1	
15	GU01154230	Gasket	1	
16	AP8201358	Hose clamp D 11,9	4	
17	AP8102765	White hose clip D.13,5x6	1	

Group	FRAME
Code	33.27
Description	Fuel supply
Service	1



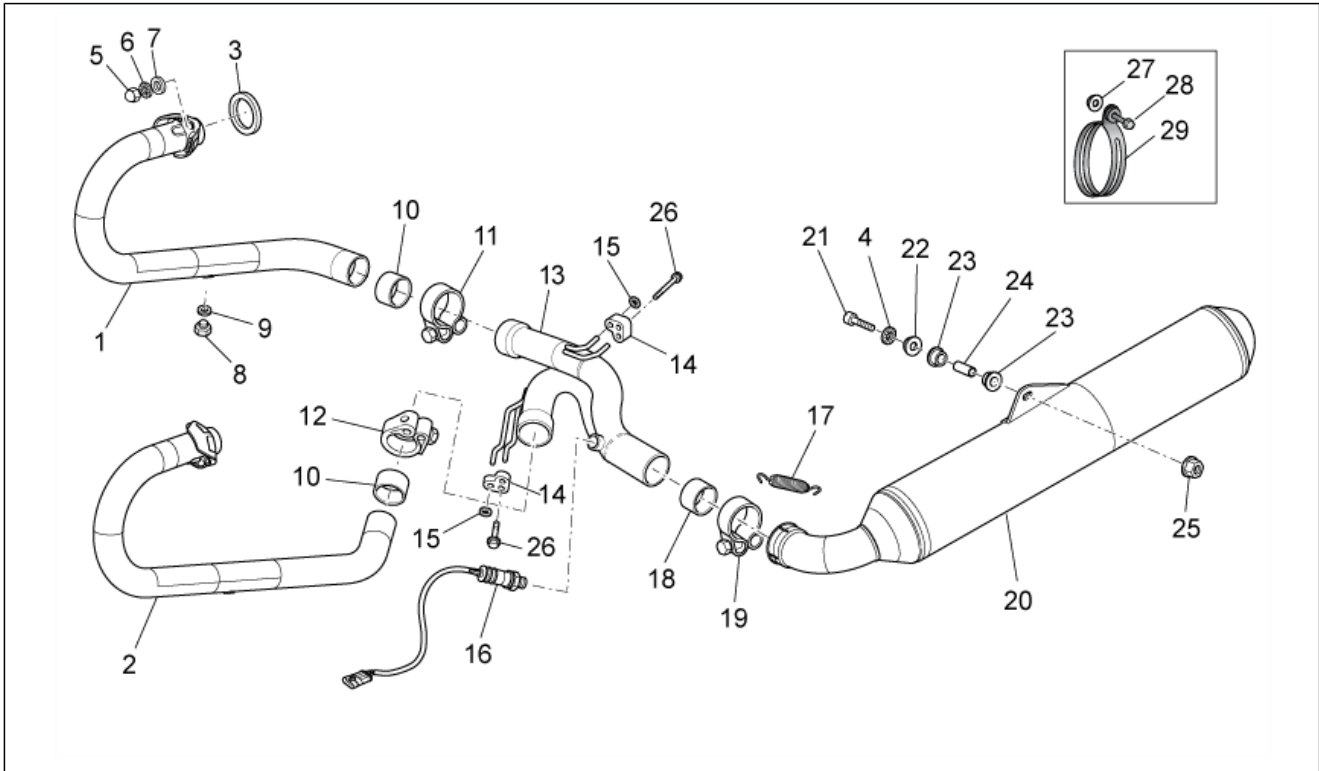
Pos.	Code	Description	Qty	Variants
1	AP8152274	Screw w/ flange M5x20	2	
2	AP8152273	Screw w/ flange M5x16	4	
3	977149	Fuel pipe, cpl.	1	Country: Other country Europe[EU], Great Britain[UK]
3	978624	Fuel pipe, cpl.	1	Country: Canadian[CA], United States of America[USA]
4	GU05135930	pipe	1	
5	AP8152298	Screw w/ flange M5x16	2	

Group	FRAME
Code	33.28
Description	Air box
Service	1



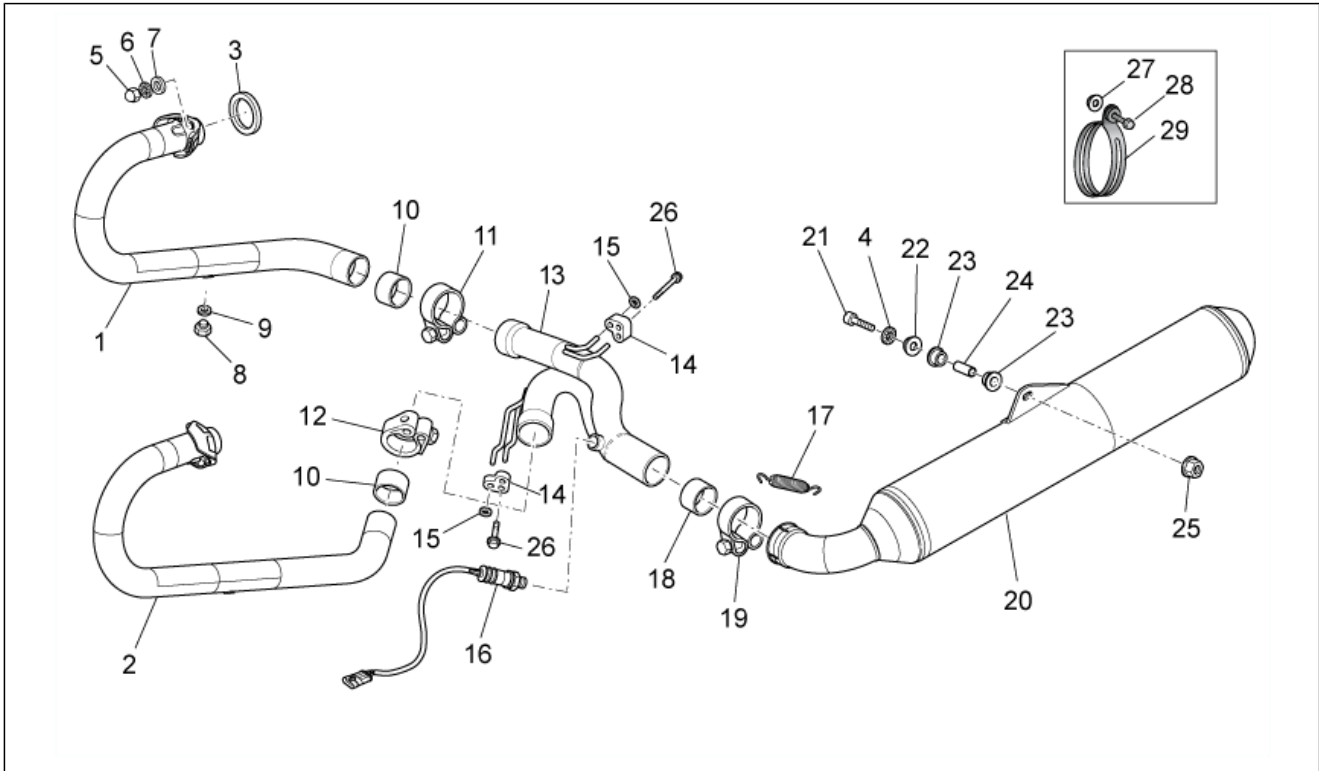
Pos.	Code	Description	Qty	Variants
1	GU05114031	Air box	1	
2	AP8104211	Air filter	1	
3	GU05113730	Protection	1	
4	AP8120615	Gasket D3	1	
5	GU05103830	Adhesive sponge	1	
6	GU05113530	Cover	1	
7	AP8144164	Intake hose	1	
8	GU05114130	Air box support	1	
9	AP8152329	Phillips screw, SWP M5x20	7	
10	AP8152279	Screw w/ flange M6x20	2	
11	AP8221023	T bush	2	
12	AP8120030	Rubber spacer	2	
13	AP8150421	Self-tap screw 2,9x12	2	
14	GU30729330	Air temp. Sensor	1	
15	GU30027931	Gasket	1	
16	AP8144038	Fuel pipe 6x10	1	
17	AP8101595	Hose clamp D10,1	2	
18	AP8120876	Plug	1	
19	AP8120428	Cable-guide	1	
20	AP8152278	Screw w/ flange M6x16	1	

Group	FRAME
Code	33.29
Description	Exhaust unit
Service	1



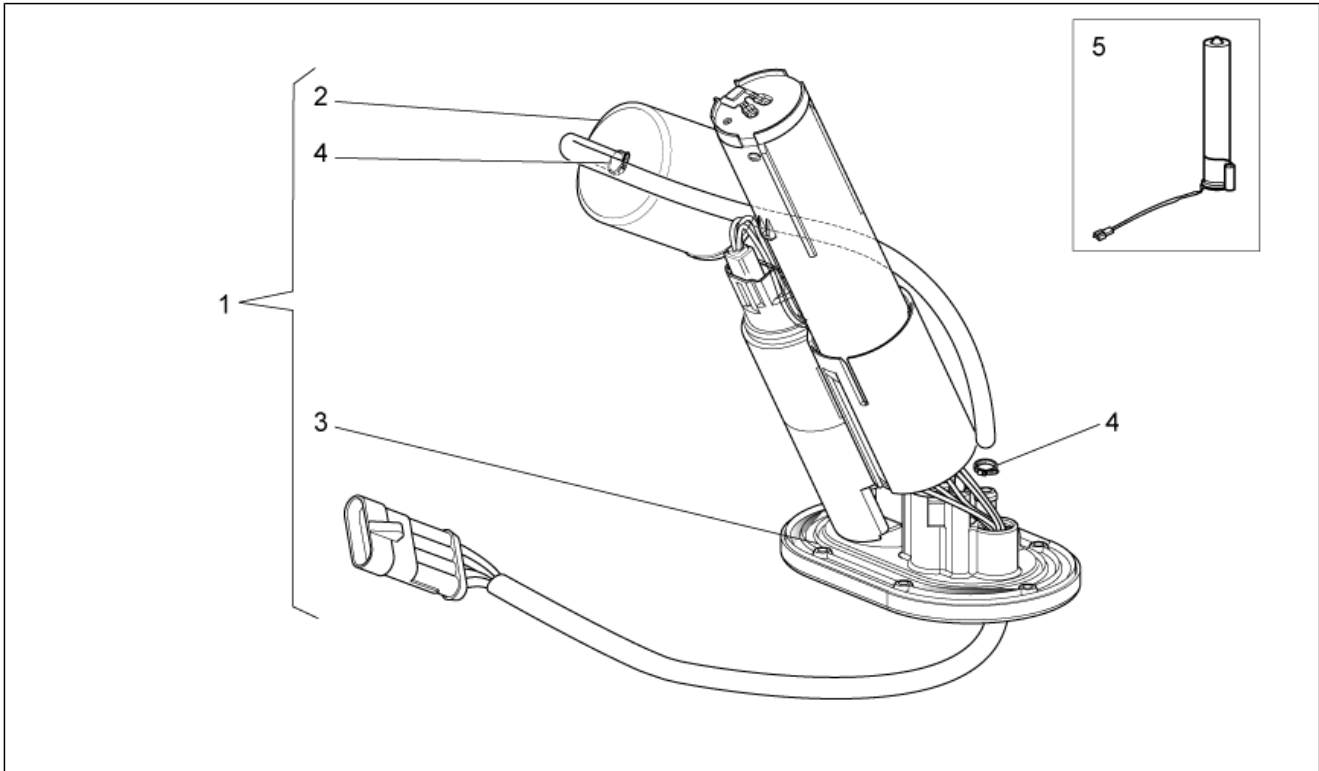
Pos.	Code	Description	Qty	Variants
1	977662	RH exhaust pipe	1	
2	977663	LH exhaust pipe	1	
3	GU90718370	Gasket	2	
4	GU95005312	Washer 8,5x24x2	1	
5	GU92660021	Flanged nut M8	4	
6	GU14615901	Washer 8,4X13X0,8	4	
7	GU95005308	Washer 8,4x14,57x1,6	4	
8	GU98110007	Cover	2	
9	GU30109330	Gasket	2	
10	GU05121630	Gasket	2	
11	976522	RH hose clamp	1	
12	976523	LH hose clamp	1	
13	977664	Central exhaust pipe	1	
14	GU05124230	Rubber spacer	2	
15	GU90274008	Washer for shafts D8	4	
16	GU32727010	Lamda sensor	1	
17	AP8121170	Spring	1	
18	GU05128230	Gasket	1	
19	976521	Hose clamp	1	
20	883004	Silencer	1	Country:Canadian[CA], United States of America[USA]
20	9778371	Silencer	1	Country:Other country Europe[EU], Great Britain[UK]
21	GU98680445	Hex socket screw	1	
22	AP8134378	Silencer fixing bush	1	
23	AP8144071	Rubber exhaust	2	
24	883079	Spacer	1	
25	GU92650138	Nut M8x1,25	1	
26	GU05124330	screw	2	
27	AP8152299	Self-locking nut M6	2	

Group	FRAME
Code	33.29
Description	Exhaust unit
Service	1



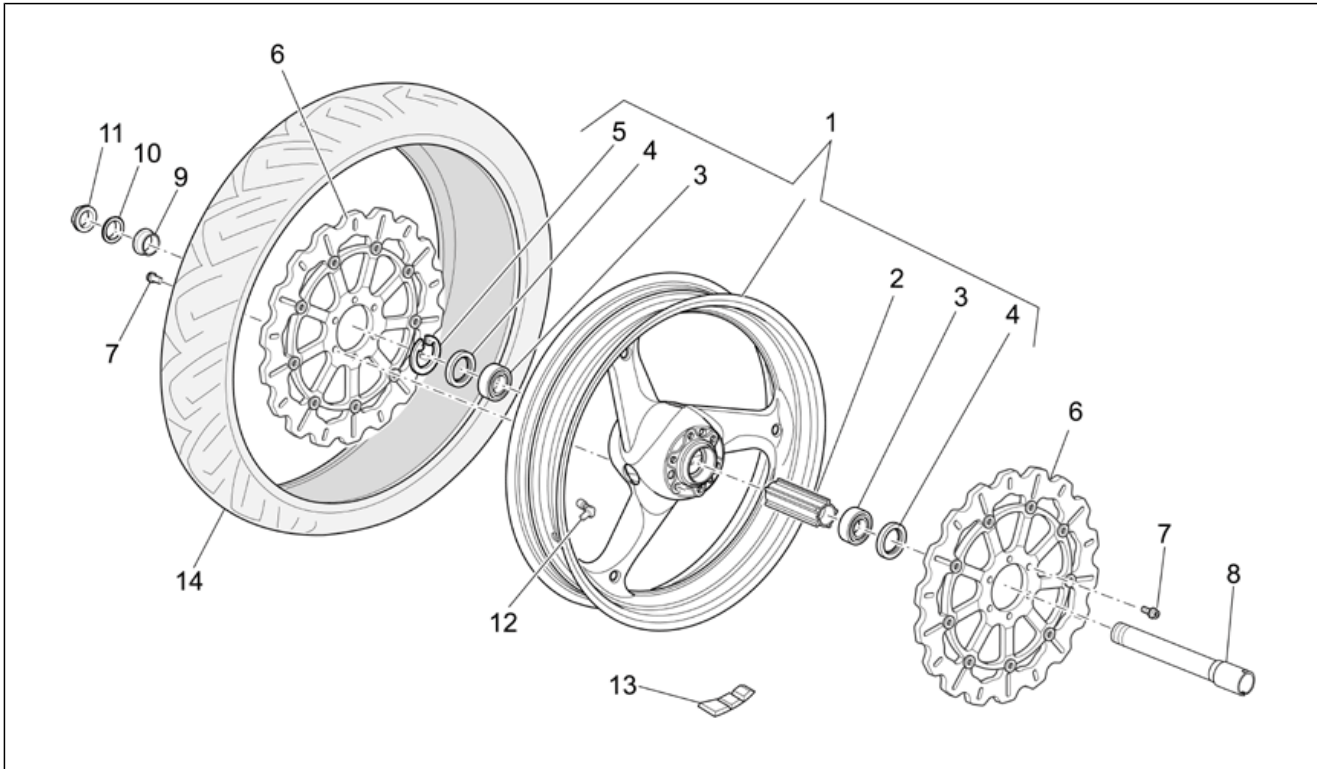
Pos.	Code	Description	Qty	Variants
28	GU98210616	Screw w/ flange M6x16 inox	2	
29	883439	Silencer clip	1	

Group	FRAME
Code	33.30
Description	Internal fuel pump
Service	1



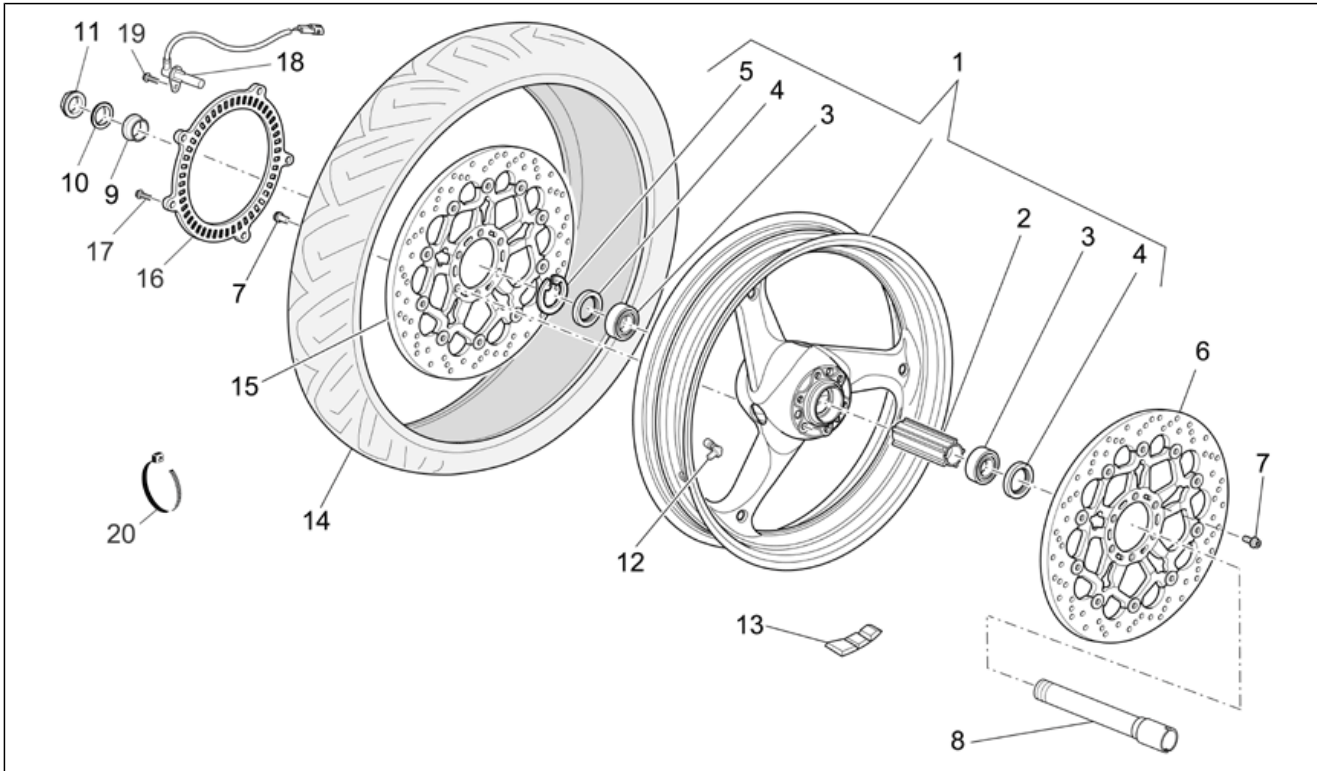
Pos.	Code	Description	Qty	Variants
1	887422	Fuel pump	1	
1	978825	Fuel pump cpl.	1	Country: Canadian[CA], United States of America[USA] Technical Specifications: Fuel pump code on the flange 978825[P2]
1	GU05107230	Fuel pump cpl.	1	Technical Specifications: Fuel pump code on the flange 05107230[P1]
2	GU01106090	Fuel filter	1	Technical Specifications: Fuel pump code on the flange 05107230[P1]
3	GU05107430	Gasket	1	Technical Specifications: Fuel pump code on the flange 05107230[P1]
4	GU01108490	Hose clamp 11,3	4	Technical Specifications: Fuel pump code on the flange 05107230[P1]
5	AP8127817	Fuel level sensor	1	Technical Specifications: Fuel pump code on the flange 05107230[P1]

Group	FRAME
Code	33.31
Description	Front wheel I
Service	1



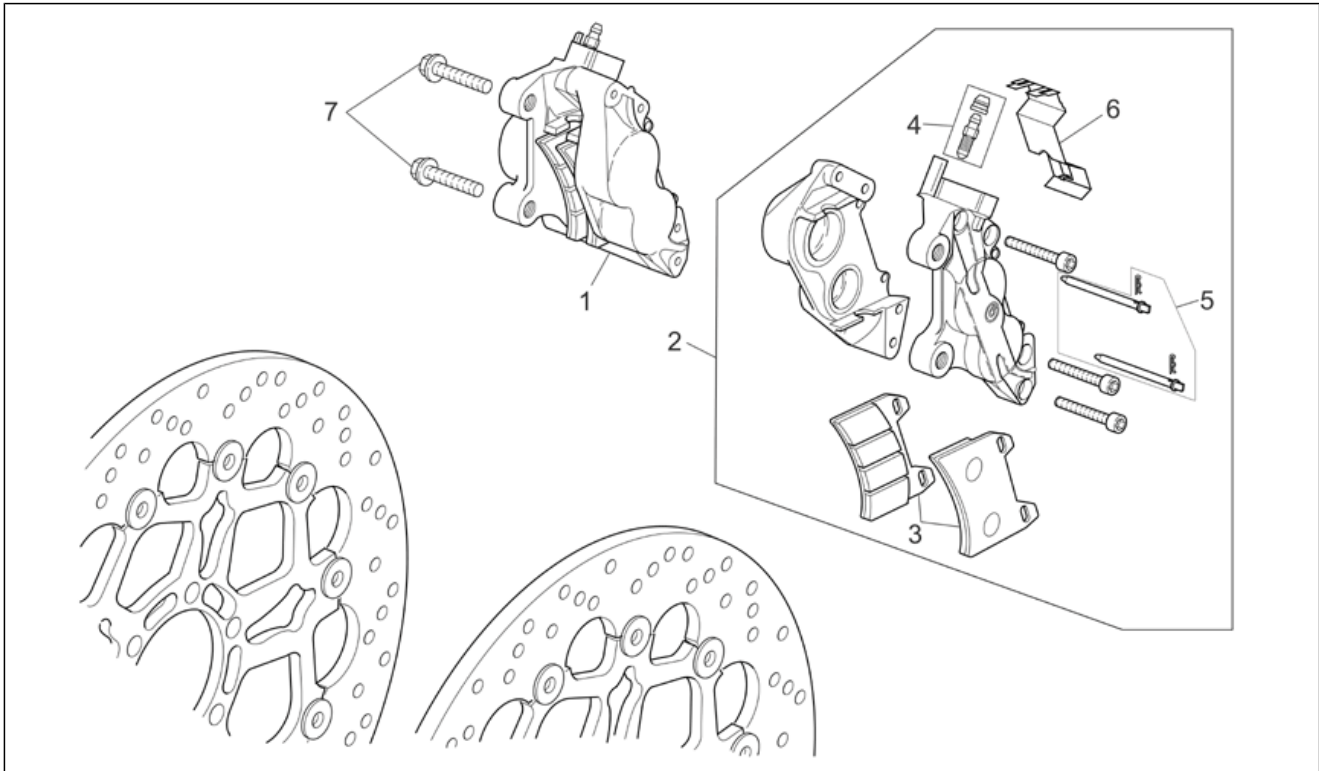
Pos.	Code	Description	Qty	Variants
1	883883	Front wheel, dark grey 3,5X17"	1	Technical Specifications: Marchiato ZCV[ZCV]
1	GU05610530	Front wheel, dark grey 3,5x17"	1	Technical Specifications: Marchio Brembo[BR]
2	GU05615230	Spacer	1	
3	AP8125777	Ball bearing 25x47x12	2	
4	AP8125773	Gasket ring 30x47x7	2	
5	AP8125779	Circlip	1	
6	977835	Front brake disc 320	2	Technical Specifications: Version without ABS[noABS]
7	AP8152286	Screw w/ flange M8x20	12	
8	GU05614130	Front wheel spindle	1	
9	AP8125791	Spacer	1	
10	GU95005325	Washer 25,2X36X1	1	
11	GU01612190	Nut	1	
12	GU03617710	Tubeless tyre valve	1	
13	GU14616150	Counterweight	1	
14	0000000	Tyre	1	

Group	FRAME
Code	33.32
Description	Front wheel II
Service	1



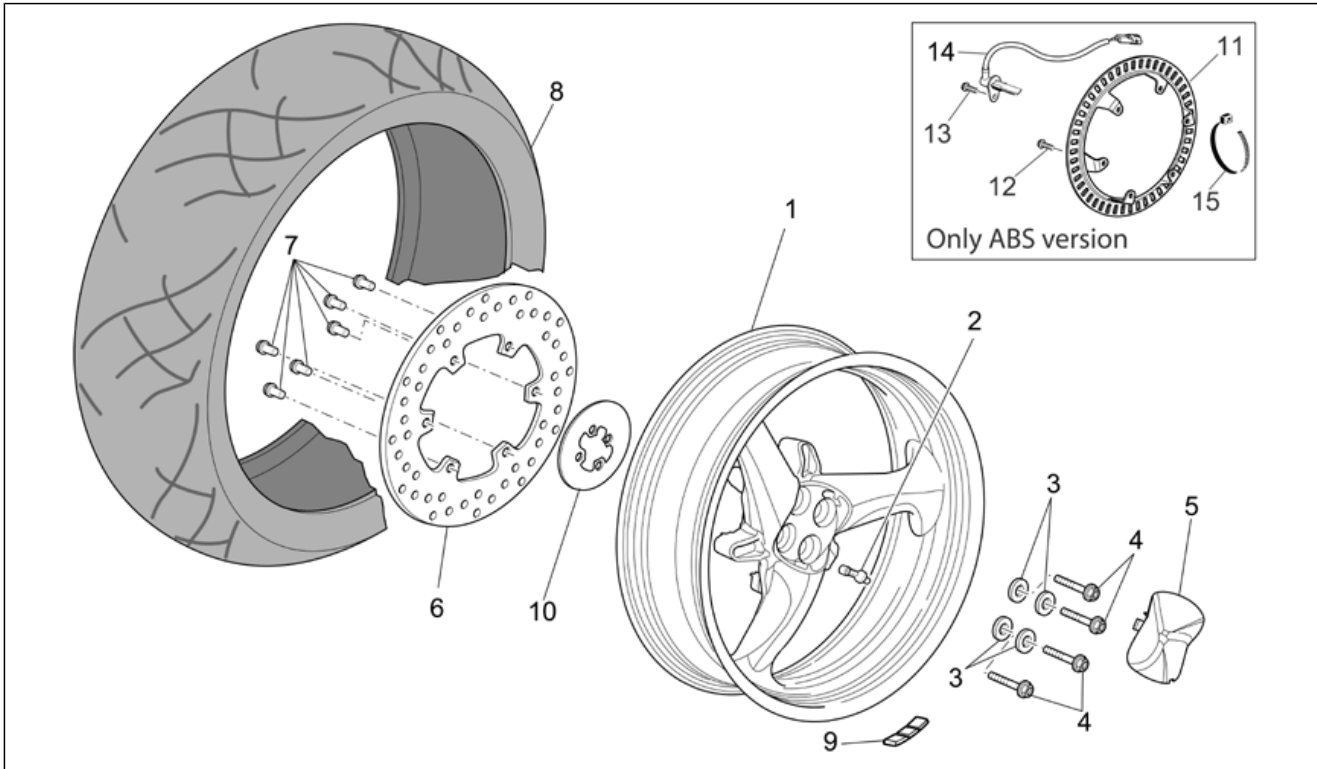
Pos.	Code	Description	Qty	Variants
1	883883	Front wheel, dark grey 3,5X17"	1	Technical Specifications: Marchiato ZCV[ZCV]
1	GU05610530	Front wheel, dark grey 3,5x17"	1	Technical Specifications: Marchio Brembo[BR]
2	GU05615230	Spacer	1	
3	AP8125777	Ball bearing 25x47x12	2	
4	AP8125773	Gasket ring 30x47x7	2	
5	AP8125779	Circlip	1	
6	GU05613330	Front brake disc, gold 320	1	Technical Specifications: ABS version[ABS]
7	GU05611430	screw	12	
8	GU05614130	Front wheel spindle	1	
9	AP8125791	Spacer	1	
10	GU95005325	Washer 25,2X36X1	1	
11	GU01612190	Nut	1	
12	GU03617710	Tubeless tyre valve	1	
13	GU14616150	Counterweight	1	
14	0000000	Tyre	0	
15	GU05613335	Front brake disc, gold 320	1	Technical Specifications: ABS version[ABS]
16	GU05681430	Wheel speed sensor, left front	1	Technical Specifications: ABS version[ABS]
17	GU98250510	Screw	5	Technical Specifications: ABS version[ABS]
18	AP8127469	Sensor abs	1	Technical Specifications: ABS version[ABS]
19	AP8152278	Screw w/ flange M6x16	1	Technical Specifications: ABS version[ABS]
20	GU49609601	Hose clamp 2,4x92	1	Technical Specifications: ABS version[ABS]

Group	FRAME
Code	33.33
Description	Front brake caliper
Service	1



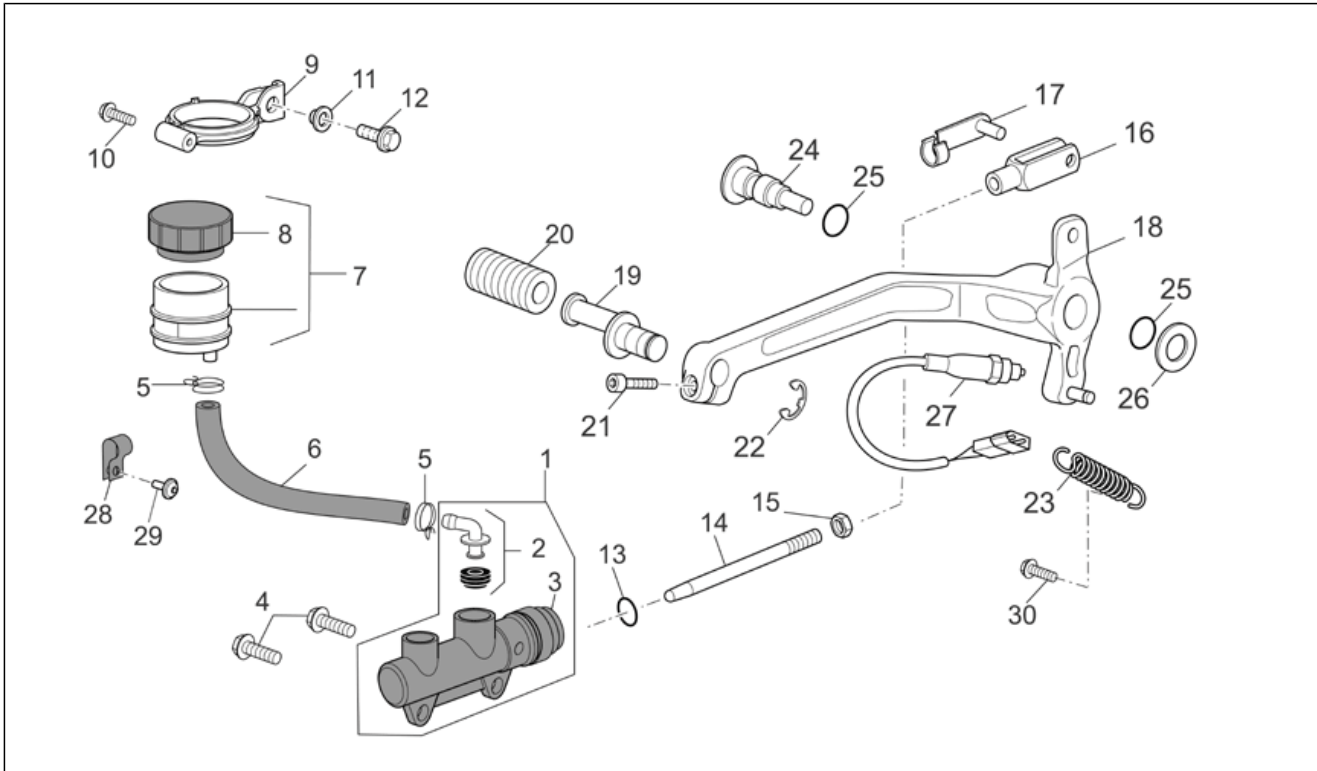
Pos.	Code	Description	Qty	Variants
1	GU05652330	RH Front brake caliper, gold	1	
2	GU05652230	LH Front brake caliper, gold	1	
3	GU01654630	Pads pair	2	
4	GU05659230	Bleeder+cap	2	
5	GU01659130	Pins+Caliper springs	2	
6	GU01659131	Spring	2	
7	AP8152385	Hex socket screw M10x1,25	4	

Group	FRAME
Code	33.34
Description	Rear wheel
Service	1



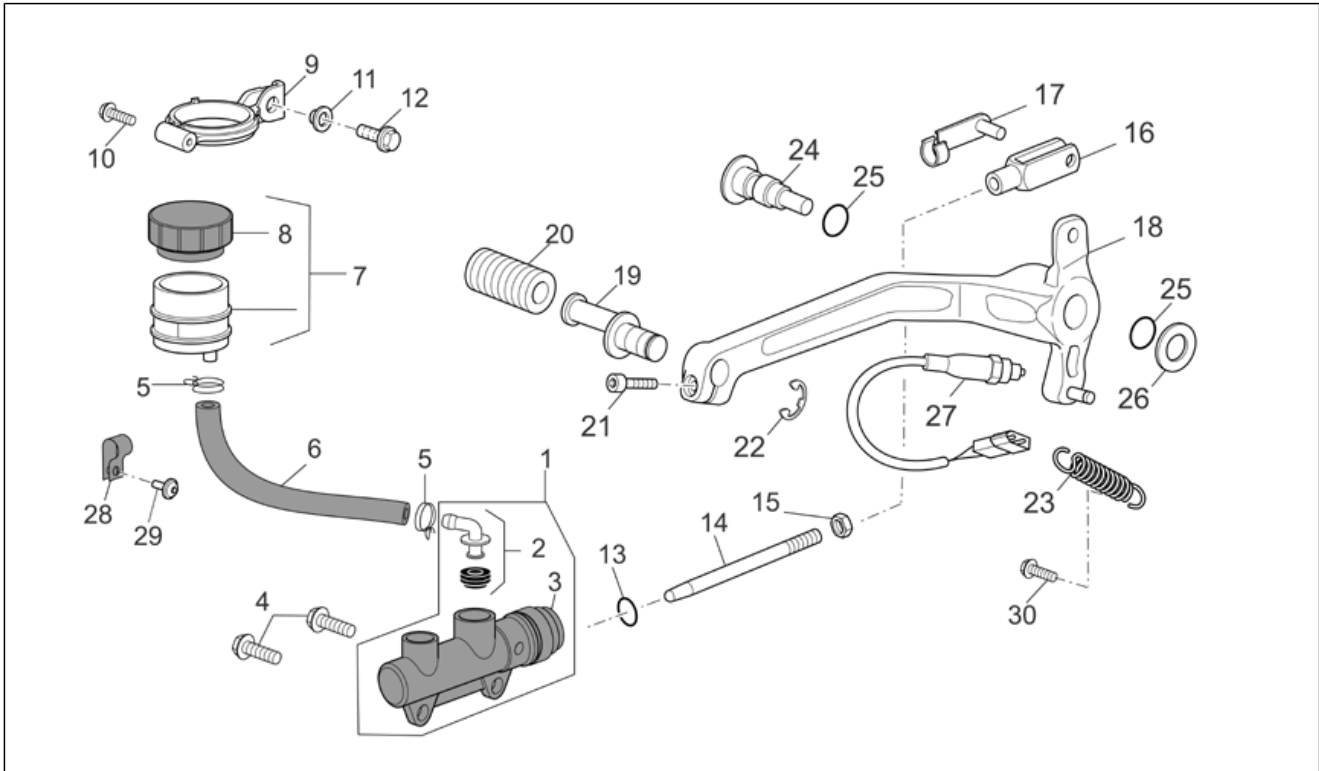
Pos.	Code	Description	Qty	Variants
1	883886	Rear wheel, grey 5,5X17"	1	Technical Specifications: ABS version[ABS], Marchiato ZCV[ZCV]
1	GU05630530	Rear wheel, grey 5,5x17"	1	Technical Specifications: Version without ABS[noABS]
1	GU05630531	Rear wheel, grey 5,5x17"	1	Technical Specifications: ABS version[ABS], Marchio Brembo[BR]
2	GU03617710	Tubeless tyre valve	1	
3	GU05632730	Conical bush	4	
4	GU97202665	Screw w/ flange M12x65	4	
5	GU05634430	Cover	1	
6	GU05635730	Rear brake disc	1	
7	GU30611460	screw	6	
8	0000000	Tyre	1	
9	GU14616150	Counterweight	1	
10	977056	Dust cover ring	1	
11	GU05681530	Wheel speed sensor, left front	1	Technical Specifications: ABS version[ABS]
12	AP8152272	Screw w/ flange M5x12	6	Technical Specifications: ABS version[ABS]
13	GU05683730	Sensor	1	Technical Specifications: ABS version[ABS]
14	AP8152278	Screw w/ flange M6x16	1	Technical Specifications: ABS version[ABS]
15	GU49609601	Hose clamp 2,4x92	1	Technical Specifications: ABS version[ABS]

Group	FRAME
Code	33.35
Description	Rear master cylinder
Service	1



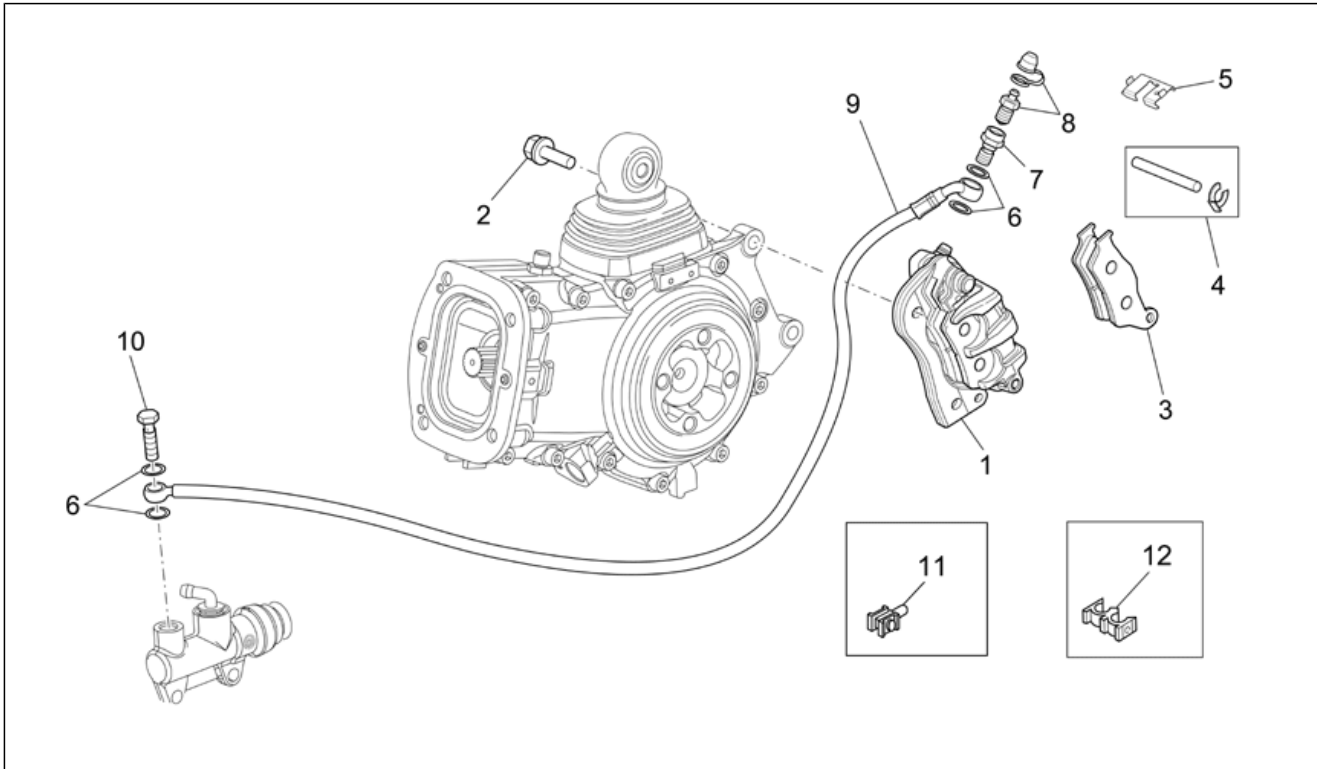
Pos.	Code	Description	Qty	Variants
1	GU0566930	Rear master cylinder	1	
2	AP8113594	Rear brake pump union	1	
3	AP8113288	Rubber bellows	1	
4	AP8152279	Screw w/ flange M6x20	2	
5	AP8101595	Hose clamp D10,1	2	
6	GU00823950050	Oil pipe	1	
7	GU05663530	Brake oil tank complete	1	
8	GU17661052	Tank cap	1	
9	GU05666030	Tank support	1	
10	AP8152329	Phillips screw, SWP M5x20	1	
11	AP8221145	T bush *	1	
12	AP8152278	Screw w/ flange M6x16	1	
13	AP8120178	O-ring OR112	1	
14	977041	Master cylinder rod	1	
15	GU92606206	Nut	1	
16	AP8101968	Fork	1	
17	AP8201301	Gear selector fork clips	1	
18	GU05677030	Rear brake lever	1	
19	AP8121221	Brake lever pin	1	
20	AP8120912	Lever rubber	1	
21	GU98682316	Hex socket screw M6x16	1	
22	AP8150462	Circlip d9	1	
23	AP8121927	Rear brake lever spring	1	
24	884033	Rear brake lever pin	1	
25	AP8144007	O-ring 11,11x1,78	2	
26	GU95008310	Washer 10,5x22x2,5	1	
27	AP8112996	clutch switch	1	
28	AP8102151	Black hose D12*	1	

Group	FRAME
Code	33.35
Description	Rear master cylinder
Service	1



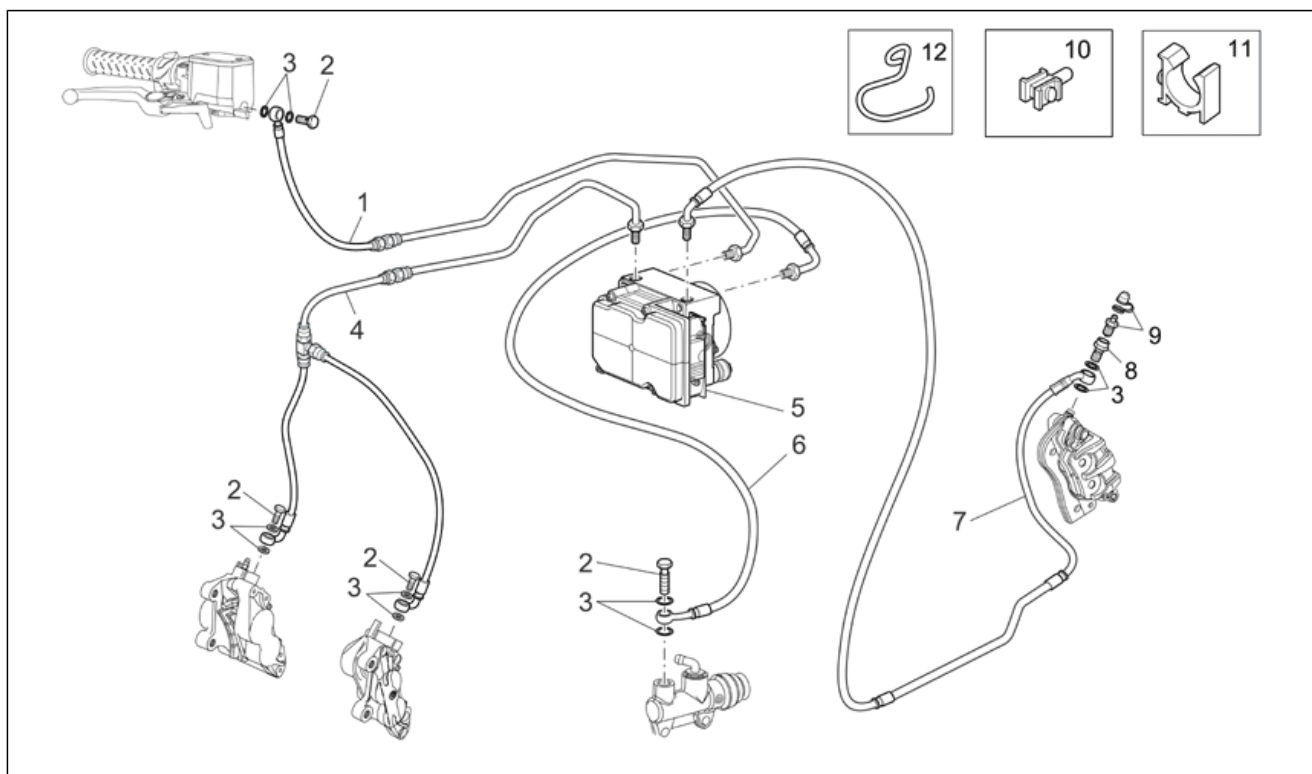
Pos.	Code	Description	Qty	Variants
29	GU98350210	Hex socket screw	1	
30	AP8152273	Screw w/ flange M5x16	1	

Group	FRAME
Code	33.36
Description	Rear brake caliper
Service	1



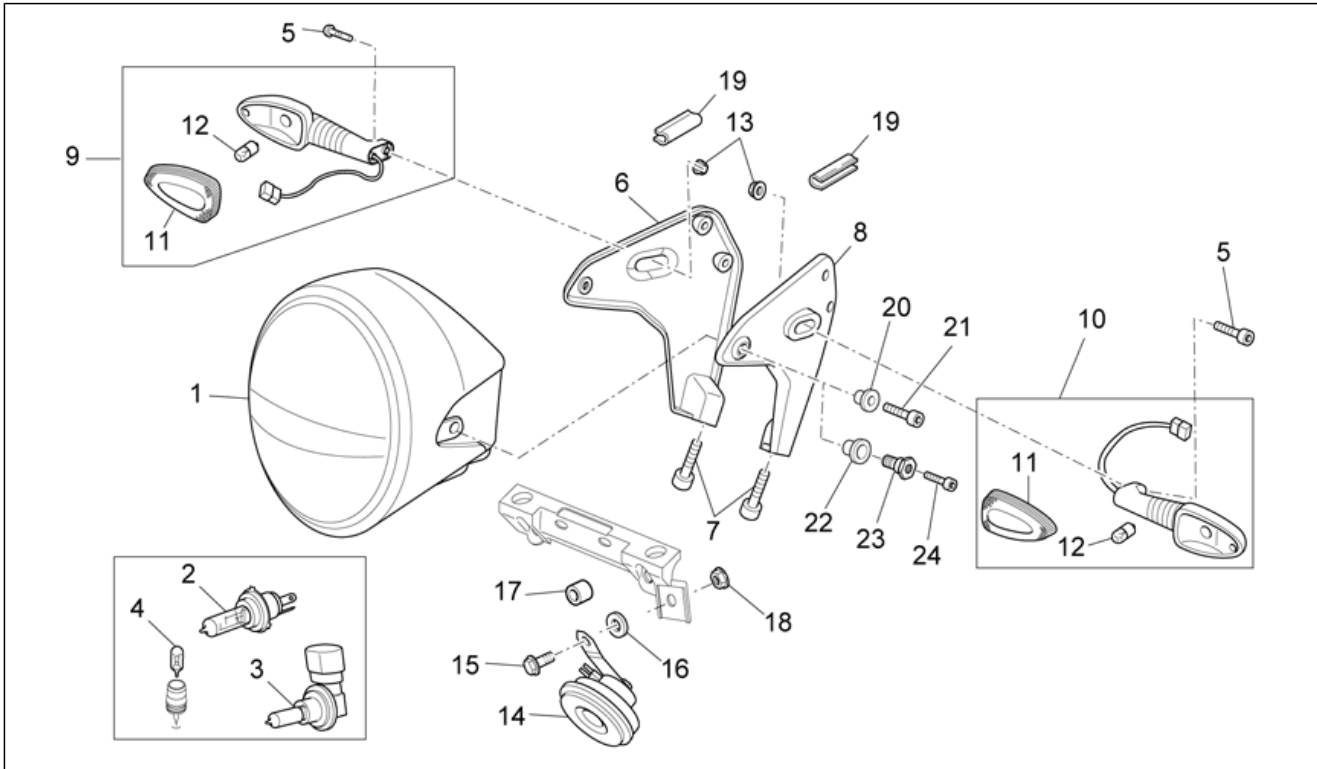
Pos.	Code	Description	Qty	Variants
1	GU05653030	Rear brake caliper, gold	1	
2	AP8152320	Screw w/ flange	2	
3	GU05654630	Pads pair	1	
4	GU05659130	Pin+split pin	1	
5	GU05659030	Spring	1	
6	GU25656100	Gasket	4	
7	AP8133597	screw	1	
8	AP8213113	Bleeder+cap	1	
9	GU05657530	Rear brake hose	1	Technical Specifications: Version without ABS[noABS]
10	AP8133594	Oil pipe screw	1	
11	AP8202238	Cable-guide hook	4	
12	AP8201808	Cable-guide D8	4	Technical Specifications: Version without ABS[noABS]
12	GU05436530	Cable-guide D5	4	Technical Specifications: ABS version[ABS]

Group	FRAME
Code	33.37
Description	ABS Brake system
Service	1



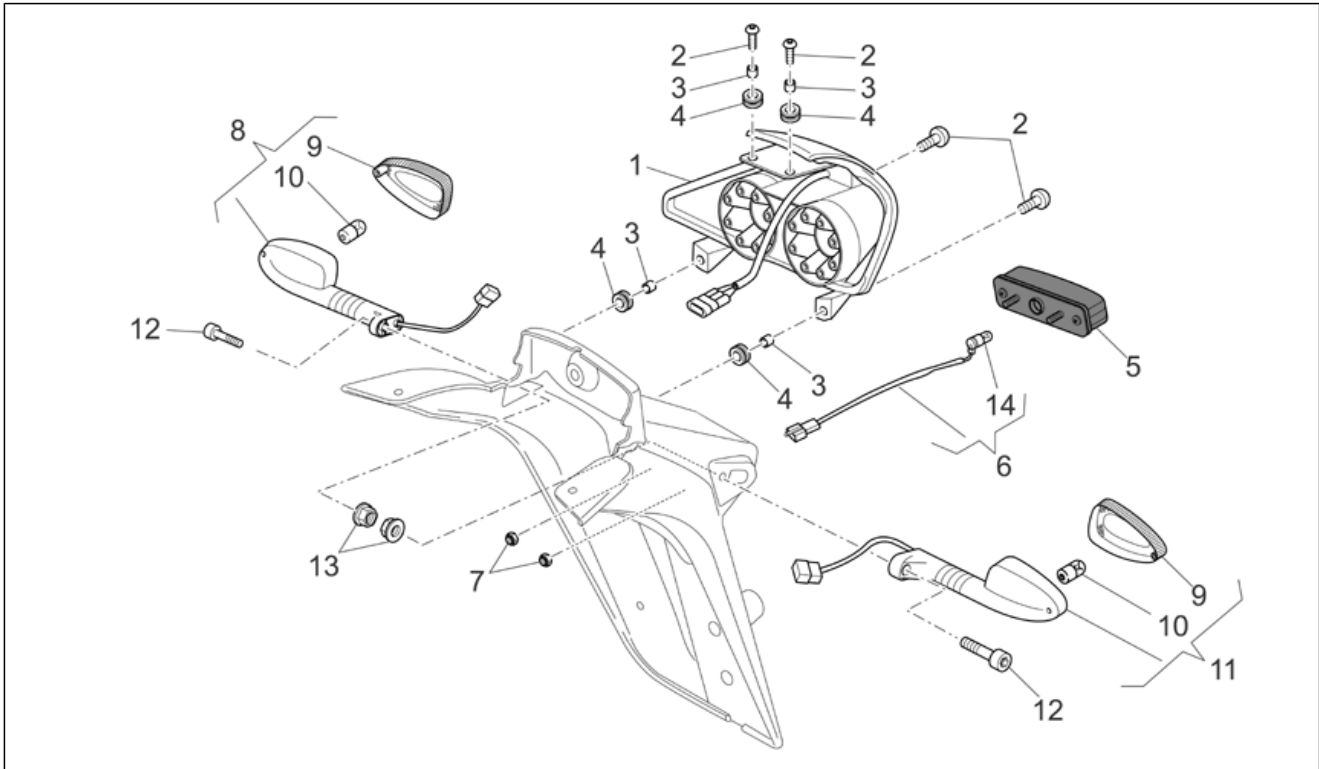
Pos.	Code	Description	Qty	Variants
1	GU05681030	Front brake hose	1	Technical Specifications: ABS version[ABS]
2	AP8133594	Oil pipe screw	4	
3	GU25656100	Gasket	10	
4	GU05680830	Front brake hose	1	Technical Specifications: ABS version[ABS]
5	GU05680530	ECU/Pump ABS	1	Technical Specifications: ABS version[ABS]
6	GU05681130	Brake hose	1	Technical Specifications: ABS version[ABS]
7	GU05680930	Rear brake hose	1	Technical Specifications: ABS version[ABS]
8	AP8133597	screw	1	
9	AP8213113	Bleeder+cap	1	
10	AP8202238	Cable-guide hook	4	
11	GU05436530	Cable-guide D5	4	Technical Specifications: ABS version[ABS]
12	GU05683130	Cable-guide D8	1	Technical Specifications: ABS version[ABS]

Group	FRAME
Code	33.38
Description	Headlight/Horn
Service	1



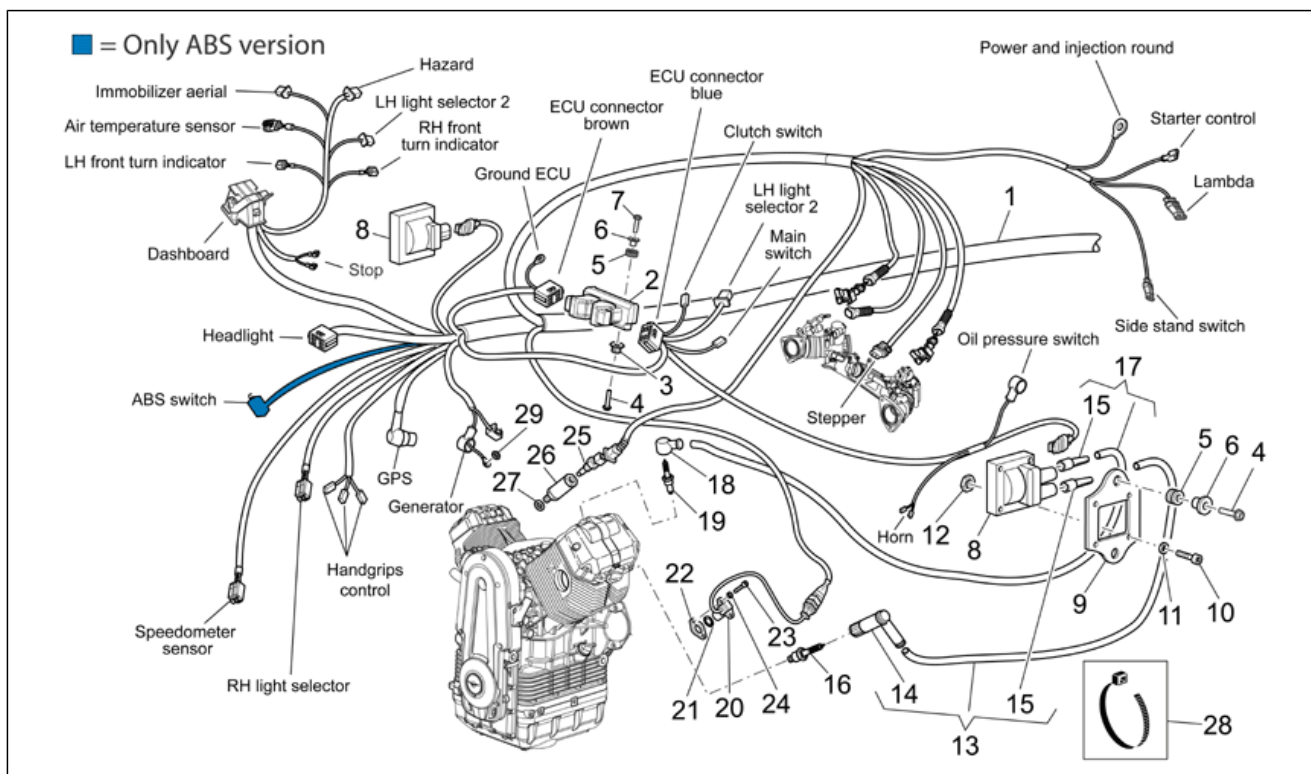
Pos.	Code	Description	Qty	Variants
1	GU05740530	Headlight	1	Country:Other country Europe[EU]
1	GU05740531	Cpl headlightsteering headligh	1	Country:Great Britain[UK]
1	GU05740532	Headlight	1	Country:Canadian[CA], United States of America[USA]
2	AP8127109	Lamp H7-12V-55W	1	
3	GU93450265	Lamp H9-12V-65W	1	
4	GU93450105	Lamp	1	
5	GU98692318	Hex socket screw	2	
6	GU05578630	RH support	1	
7	GU98682435	Hex socket screw	2	
8	GU05578631	LH support	1	
9	AP8127514	RH front turn indicator	1	
10	AP8127515	LH front turn indicator	1	
11	AP8127552	Turn indicator lens	2	
12	GU93450126	Lamp, orange	2	
13	GU92630206	Nut M6x1	2	
14	GU05743730	Horn	1	
15	AP8152286	Screw w/ flange M8x20	1	
16	GU95100244	Washer	1	
18	AP8152300	Self-locking nut M8	1	
19	AP8144707	Gasket	2	
20	AP8221023	T bush	2	Technical Specifications:First series[1A]
21	GU98690335	Hex socket screw	2	Technical Specifications:First series[1A]
22	978158	T bush *	2	Technical Specifications:Second series[2A]
23	978157	Special screw	2	Technical Specifications:Second series[2A]
24	GU98710215	Screw	2	Technical Specifications:Second series[2A]

Group	FRAME
Code	33.39
Description	Taillight
Service	1



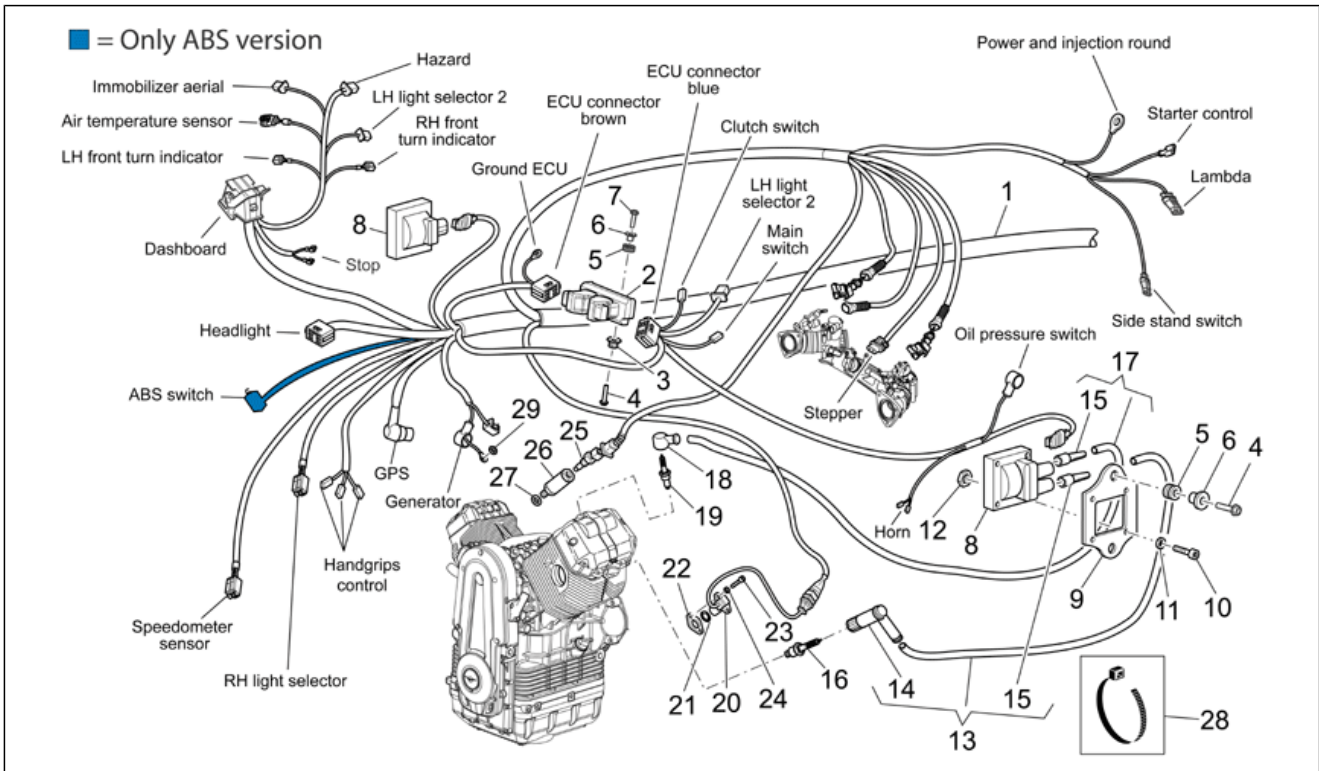
Pos.	Code	Description	Qty	Variants
1	GU05740930	Taillight	1	
2	AP8152298	Screw w/ flange M5x16	4	
3	AP8221036	Bushing 5,3x8x7,1	4	
4	AP8120405	Rubber spacer	4	
5	AP8212702	Number-plate light	1	
6	AP8124976	Plate light wiring	1	
7	AP8152306	Self-locking nut m5	2	
8	GU05751630	Rear RH turn indicator	1	
9	AP8127552	Turn indicator lens	2	
10	GU93450126	Lamp, orange	2	
11	GU05751730	Rear LH turn indicator	1	
12	GU98692318	Hex socket screw	2	
13	GU92630206	Nut M6x1	2	
14	GU93450105	Lamp	1	

Group	FRAME
Code	33.40
Description	Electrical system I
Service	1



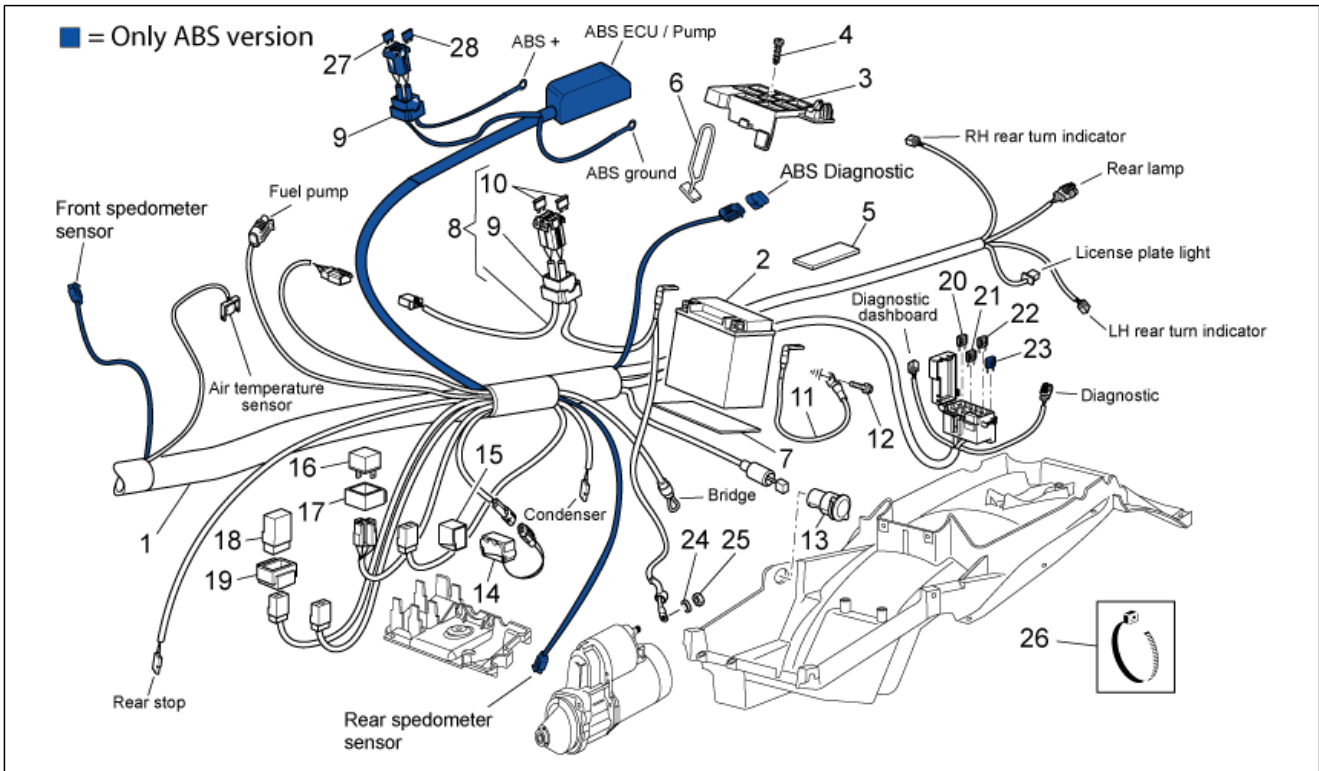
Pos.	Code	Description	Qty	Variants
1	977875	Main wiring harness	1	Technical Specifications: Version without ABS[noABS]
1	977877	Main wiring harness	1	Technical Specifications: ABS version[ABS]
2	977676	ECU	1	Technical Specifications: ABS version[ABS]
2	977923	ECU	1	Technical Specifications: Version without ABS[noABS]
3	GU05729230	Bush	2	
4	AP8152279	Screw w/ flange M6x20	6	
5	AP8120030	Rubber spacer	6	
6	AP8221023	T bush	6	
7	AP8152282	Screw w/ flange M6x35	2	
8	GU05716530	HT coil	2	
9	GU05716730	Coil holder	2	
10	GU98682125	Hex socket screw	8	
11	GU95008204	Washer 4,3x8x0,5	8	
12	GU92630104	Nut M4x0,7	8	
13	GU05718330	HT wire	2	
14	GU03717450	Sparkplug cap	2	
15	GU14717600	Cap	4	
16	GU30717061	Spark plug NGK BPR6ES	2	
17	GU05718331	HT wire	2	
18	GU05717430	Sparkplug cap	2	
19	GU05717030	Spark plug NGK PMR8B	2	
20	GU01721600	Phase/revolution sensor	1	
21	GU90706141	O-ring	1	
22	GU01722700	Gasket 0,3mm	1	
22	GU01722701	Gasket 0,4 mm	1	
22	GU01722702	Gasket 0,6mm	1	
22	GU01722703	Gasket	1	
22	GU01722704	Gasket 1mm	1	

Group	FRAME
Code	33.40
Description	Electrical system I
Service	1



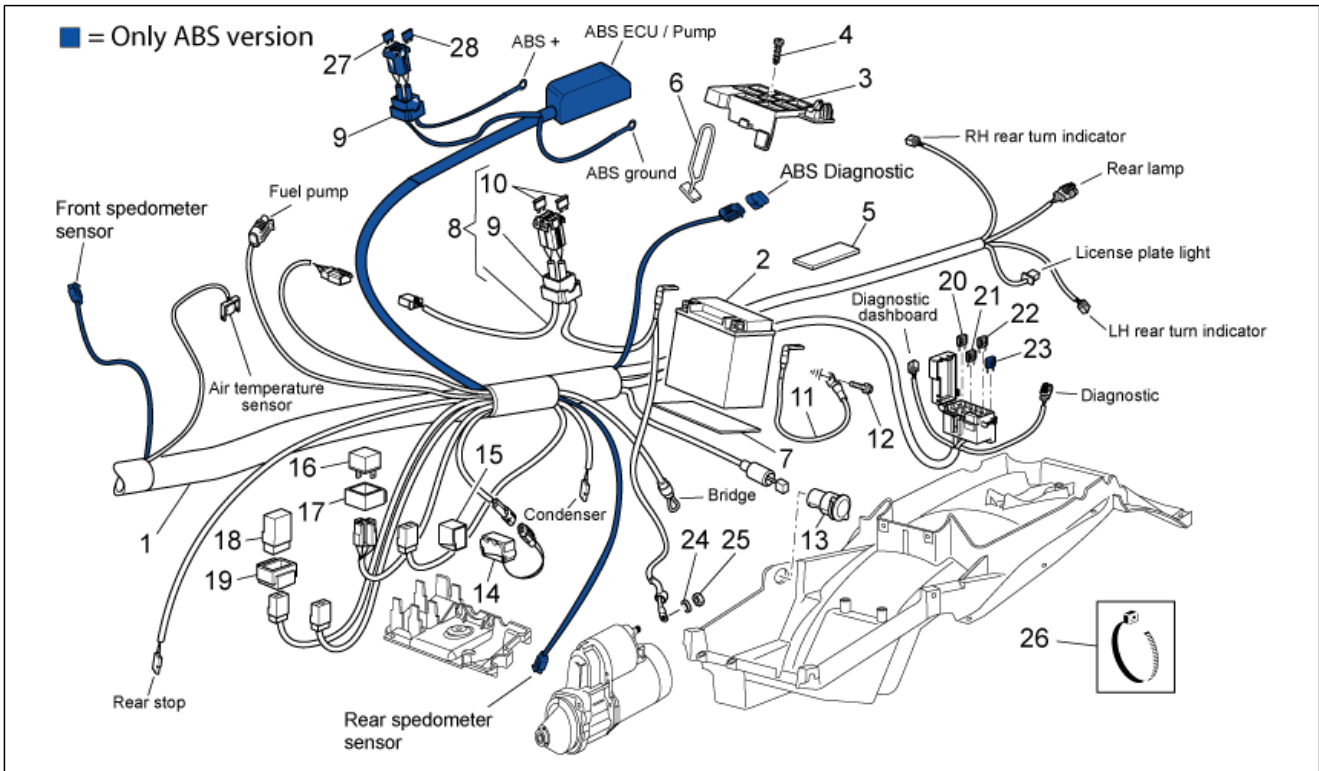
Pos.	Code	Description	Qty	Variants
22	GU01722705	Gasket 1,5mm	1	
22	GU29722760	Gasket 0,5 mm	1	
23	GU98682212	Hex socket screw M5x12	2	
24	GU95008205	Washer 5,3x10x0,8	2	
25	GU29729461	Oil temperature sensor	1	
26	GU03163330	Sensor support	1	
27	GU95008210	Washer 10,2X18X2	1	
28	GU14609650	Hose clamp 3,6x20,6	23	
28	GU30609600	Hose clamp 8,8x185	1	
28	GU93304360	Hose clamp 7,6x380	2	
29	AP8152299	Self-locking nut M6	1	

Group	FRAME
Code	33.41
Description	Electrical system II
Service	1



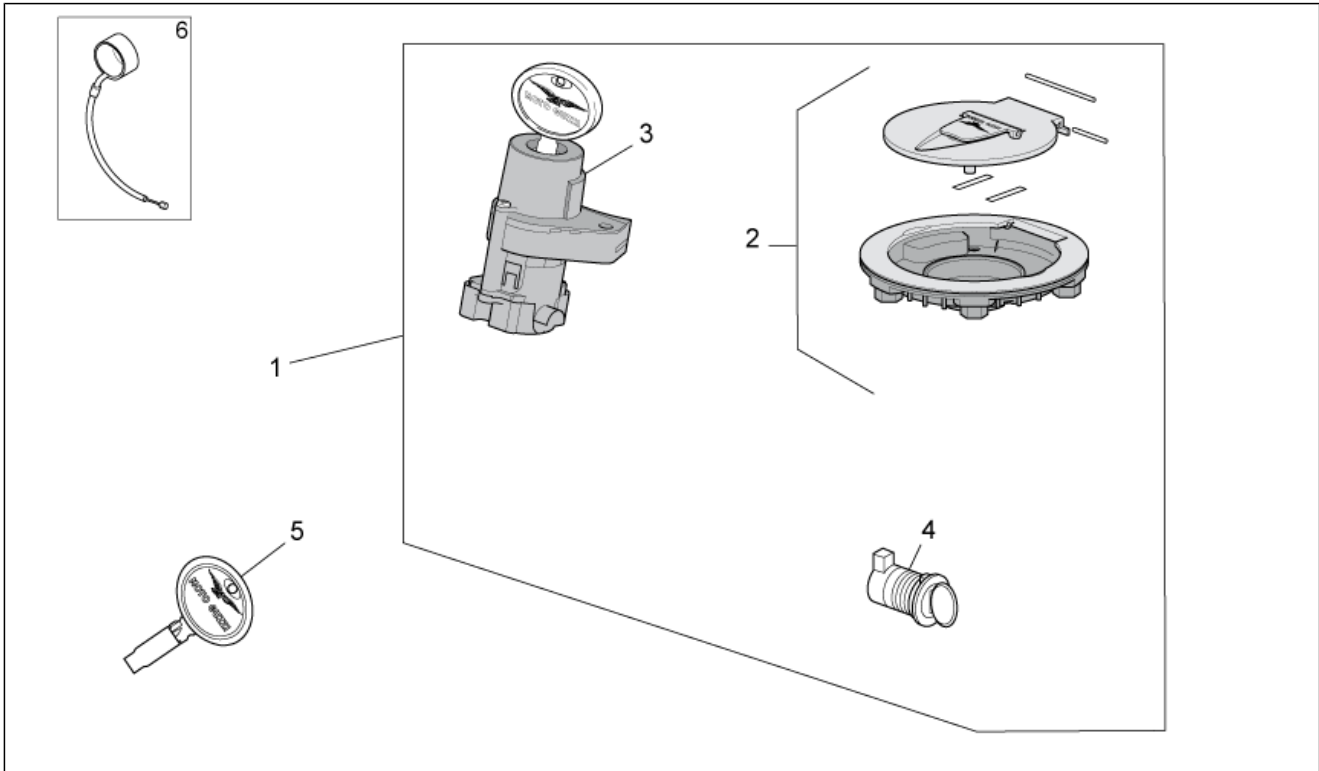
Pos.	Code	Description	Qty	Variants
1	977875	Main wiring harness	1	Technical Specifications: Version without ABS[noABS]
1	977877	Main wiring harness	1	Technical Specifications: ABS version[ABS]
2	883818	Battery	1	Technical Specifications: Vehicle with YT20-BS battery[B]
2	GU05704531	Battery 12V-20Ah	1	Technical Specifications: Vehicle with YTX20CH-BS battery[A]
3	883819	Battery cover	1	Technical Specifications: Vehicle with YT20-BS battery[B]
3	GU05704630	Battery cover	1	Technical Specifications: Vehicle with YTX20CH-BS battery[A]
4	AP8152329	Phillips screw, SWP M5x20	2	
5	AP8117200	Adhesive sponge	1	
6	AP8120177	Headlight supp.snap	2	
7	AP8144553	Support rubber part	2	
8	GU05747830	Wiring	1	
9	AP8112811	Rubber fuse box	2	Technical Specifications: ABS version[ABS]
9	AP8112811	Rubber fuse box	1	Technical Specifications: Version without ABS[noABS]
10	GU28742562	Fuse 30A	3	
11	978505	Ground-battery lead	1	Technical Specifications: Vehicle with YT20-BS battery[B]
11	GU05747930	Ground-battery lead	1	Technical Specifications: Vehicle with YTX20CH-BS battery[A]
12	AP8152277	Screw w/ flange M6x12	1	
13	AP8124768	Socket	1	
14	AP8124266	Inclination sensor	1	
15	AP8144046	Rubber sensor support	1	
16	AP8124869	Injection relay	1	
17	AP8220546	Relay rubber	1	
18	AP8224462	Relay 12V/30A	3	
19	AP8220283	Rubber spacer *	3	
20	977773	Fuse 20A	2	
21	977772	Fuse 15A	4	

Group	FRAME
Code	33.41
Description	Electrical system II
Service	1



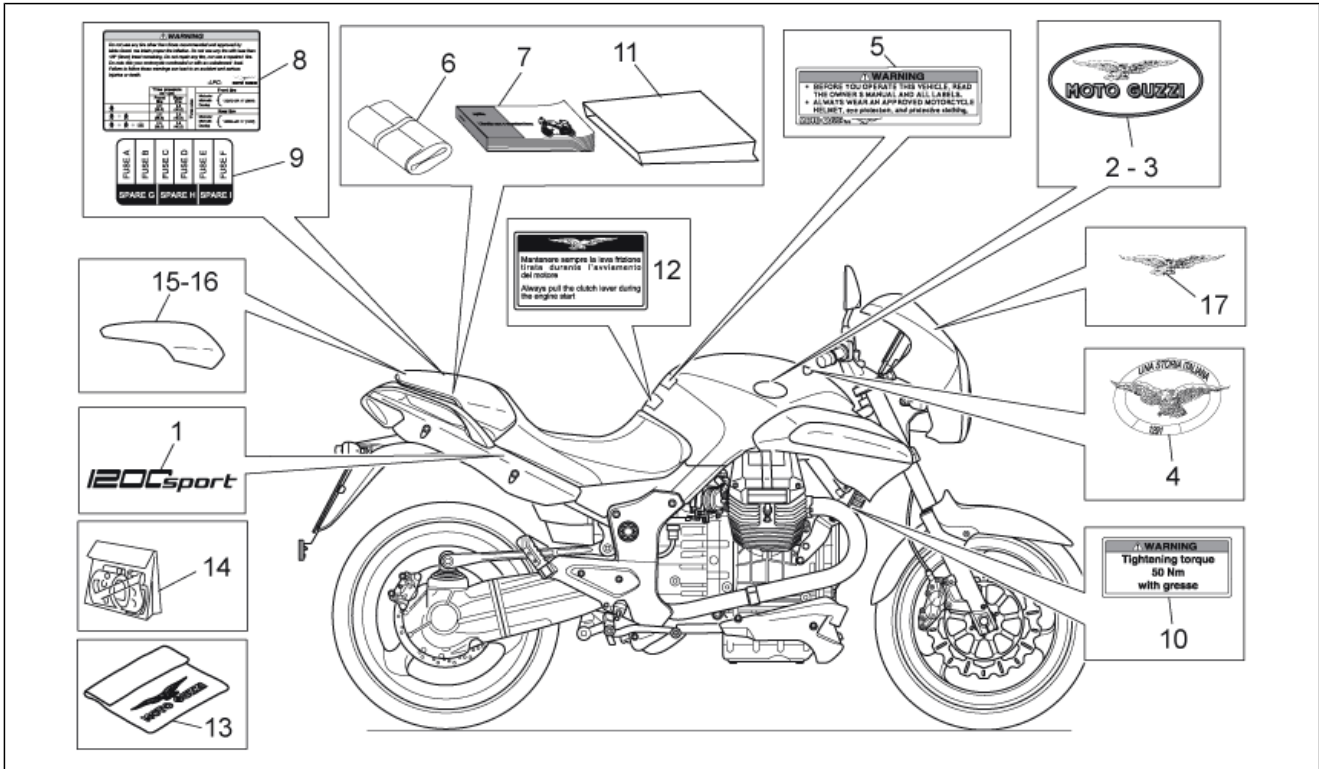
Pos.	Code	Description	Qty	Variants
22	977769	Fuse 3A	2	
23	977771	Fuse 10A	1	Technical Specifications: ABS version[ABS]
24	GU95129131	Washer 8,4x15x1,7	1	
25	GU92609408	Nut M8x1,25	1	
26	GU14609650	Hose clamp 3,6x20,6	23	
26	GU93304360	Hose clamp 7,6x380	2	
27	977761	Fuse ABS-25A	2	Technical Specifications: ABS version[ABS]
28	977762	Fuse ABS-40A	2	Technical Specifications: ABS version[ABS]

Group	FRAME
Code	33.42
Description	Lock hardware kit
Service	1



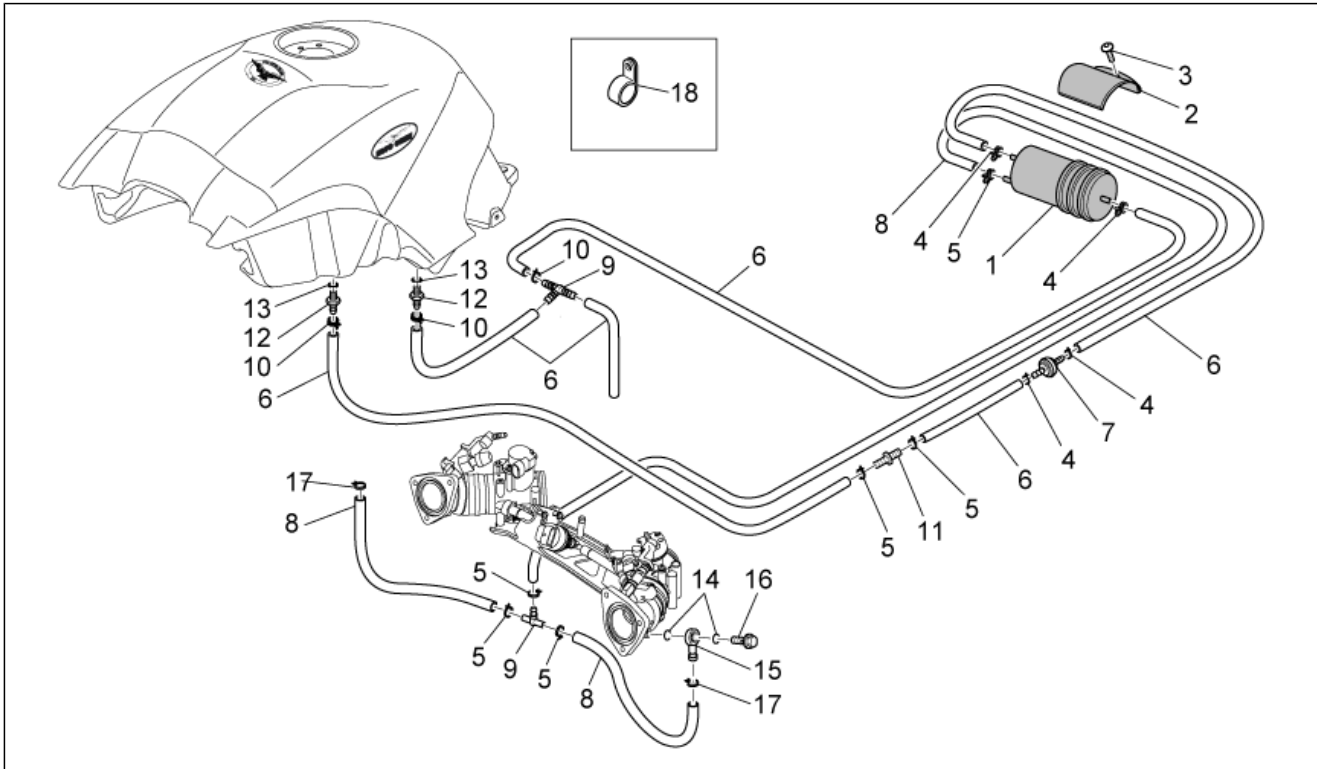
Pos.	Code	Description	Qty	Variants
1	B063858	Lock kit	1	Country: United States of America[USA]
1	GU05736830	Lock kit	1	Country: Canadian[CA], Other country Europe[EU], Great Britain[UK]
2	GU05103930	Tank cap	1	
3	B063859	Main switch - steering lock	1	Country: United States of America[USA]
3	GU05782530	Main switch - steering lock	1	Country: Canadian[CA], Other country Europe[EU], Great Britain[UK]
4	GU05466830	Saddle lock	1	
5	GU05735530	Non indented key blank	1	
6	981087	Immobilizer antenna	1	

Group	FRAME
Code	33.43
Description	Plate set-decal-op.handbooks
Service	1



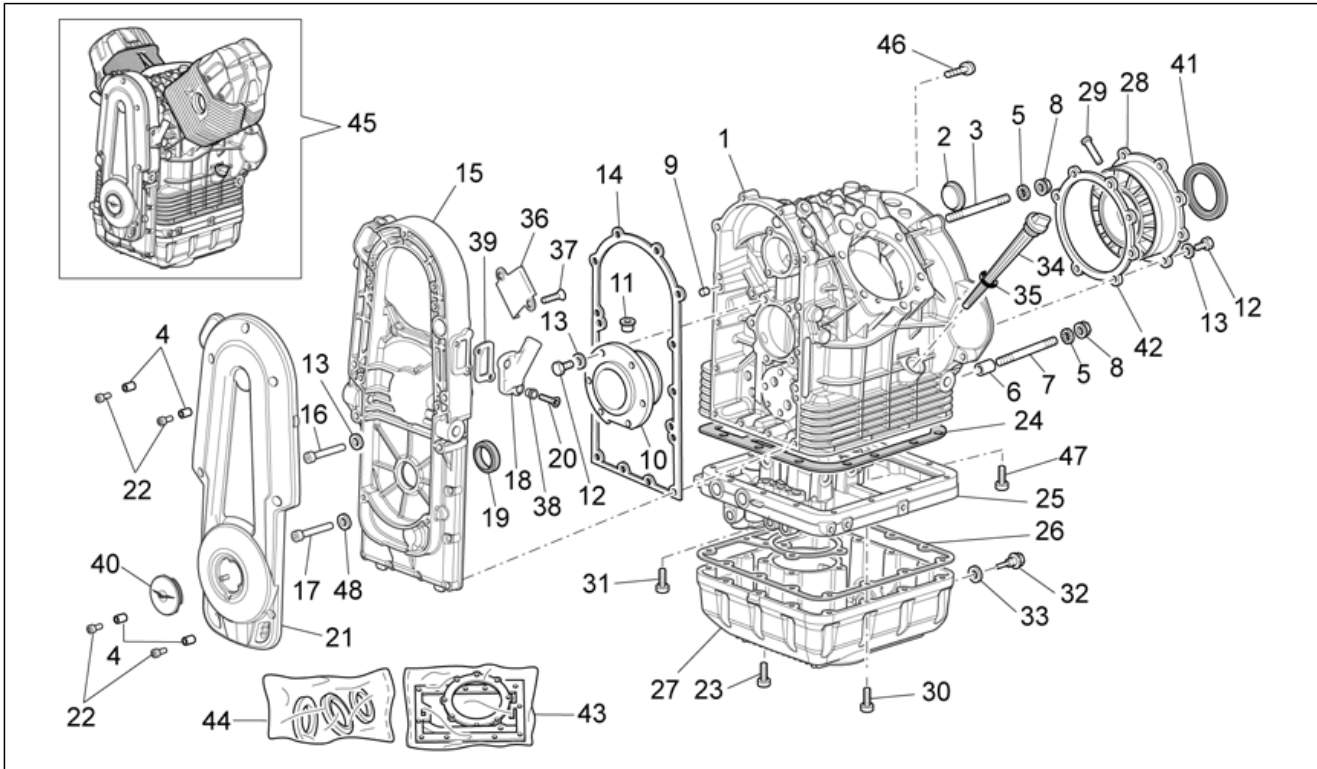
Pos.	Code	Description	Qty	Variants
1	977861	Decal 1200 Sport	2	
2	GU06917400	LH Name plate,red/gold AL	1	
3	GU06917300	RH Name plate,red/gold AL	1	
4	GU05917530	Decal "Italian Story"	1	
5	GU30944300	Decal "Attention"	1	
6	GU05909930	Toolkit	1	
7	977884	Operator's handbook I-F-D-NL	1	Country: Other country Europe[EU], Great Britain[UK]
7	978628	Operator's handbook	1	Country: Canadian[CA], United States of America[USA]
9	GU05945030	Sticker "schema fusibili"	1	
10	GU05944530	Decal Warning	1	
11	GU05900130	Bag for document	1	
12	GU05944930	Decal Engine Start	1	
13	GU30970200	Bike cover	1	
14	978172	Decal set	1	
14	GU05923330	Technical decal set	1	Country: Canadian[CA], United States of America[USA]
15	977859	Rear LH decal, white	1	
16	977860	Rear RH decal, white	1	
17	977820	Decal "Eagle"	1	

Group	FRAME
Code	33.61
Description	Fuel vapour recover system
Service	1



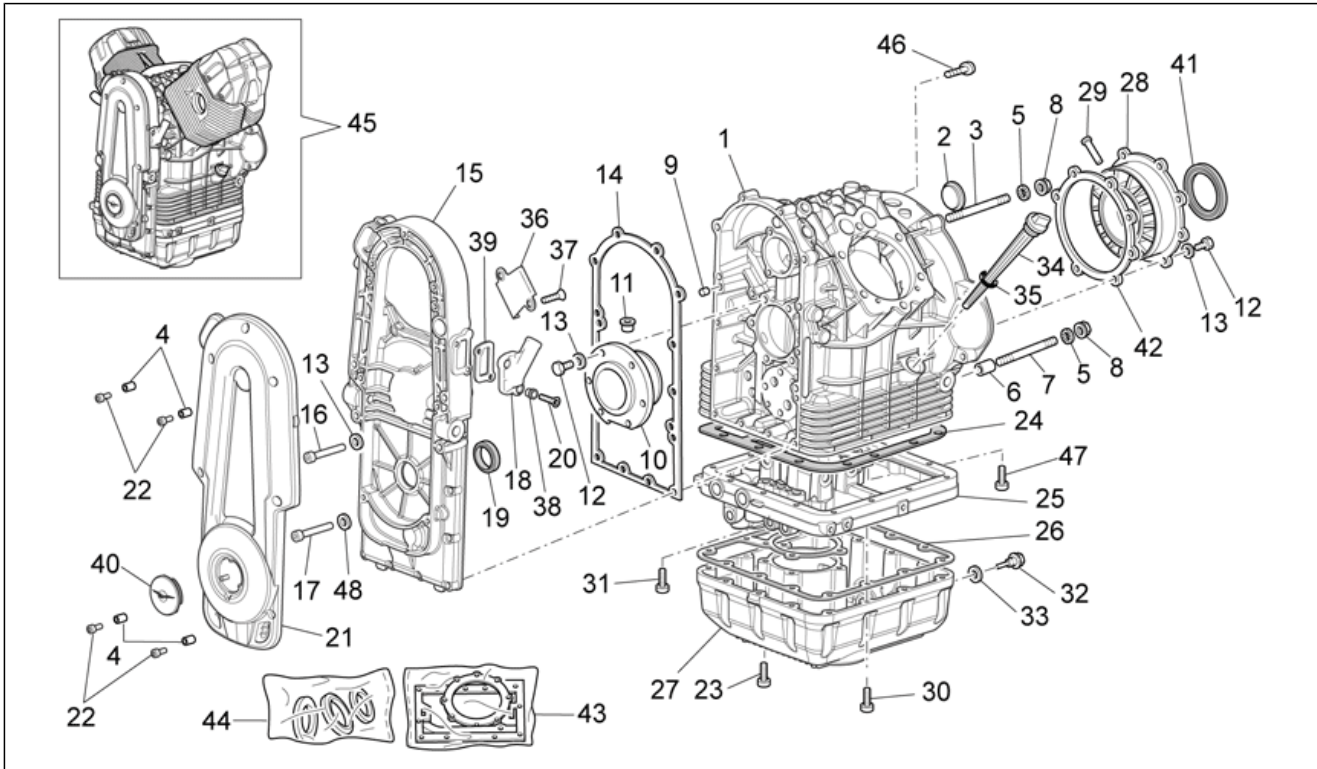
Pos.	Code	Description	Qty	Variants
1	AP8102678	Carbon filter	1	Country:Canadian[CA], United States of America[USA]
2	AP8134884	Canister support plate	1	Country:Canadian[CA], United States of America[USA]
3	AP8152329	Phillips screw, SWP M5x20	1	Country:Canadian[CA], United States of America[USA]
4	GU28157950	Hose clip 12,5x8	4	Country:Canadian[CA], United States of America[USA]
5	GU29108550	Hose clip 11,5x6	9	Country:Canadian[CA], United States of America[USA]
6	856063	pipe SAE 30 d.12,7x6,35	6	Country:Canadian[CA], United States of America[USA]
7	AP8104614	Pressure valve	1	Country:Canadian[CA], United States of America[USA]
8	856062	pipe SAE 30 d.11,11x4,8	2	Country:Canadian[CA], United States of America[USA]
9	AP8144303	3-way union	2	Country:Canadian[CA], United States of America[USA]
10	AP8201358	Hose clamp D 11,9	2	Country:Canadian[CA], United States of America[USA]
11	GU06704700	Joint	1	Country:Canadian[CA], United States of America[USA]
12	GU30103730	Joint	2	Country:Canadian[CA], United States of America[USA]
13	AP8120965	O-ring 2018	2	Country:Canadian[CA], United States of America[USA]
14	GU90706009	O-ring 6x1	4	Country:Canadian[CA], United States of America[USA]
15	GU95963062	Joint	2	Country:Canadian[CA], United States of America[USA]
16	GU95990023	Bored screw	2	Country:Canadian[CA], United States of America[USA]
17	AP8102378	Hose clamp D11,3	2	Country:Canadian[CA], United States of America[USA]
18	AP8134167	Brake hose hanger	2	Country:Canadian[CA], United States of America[USA]

Group	ENGINE
Code	34.44
Description	Crank-case
Service	1



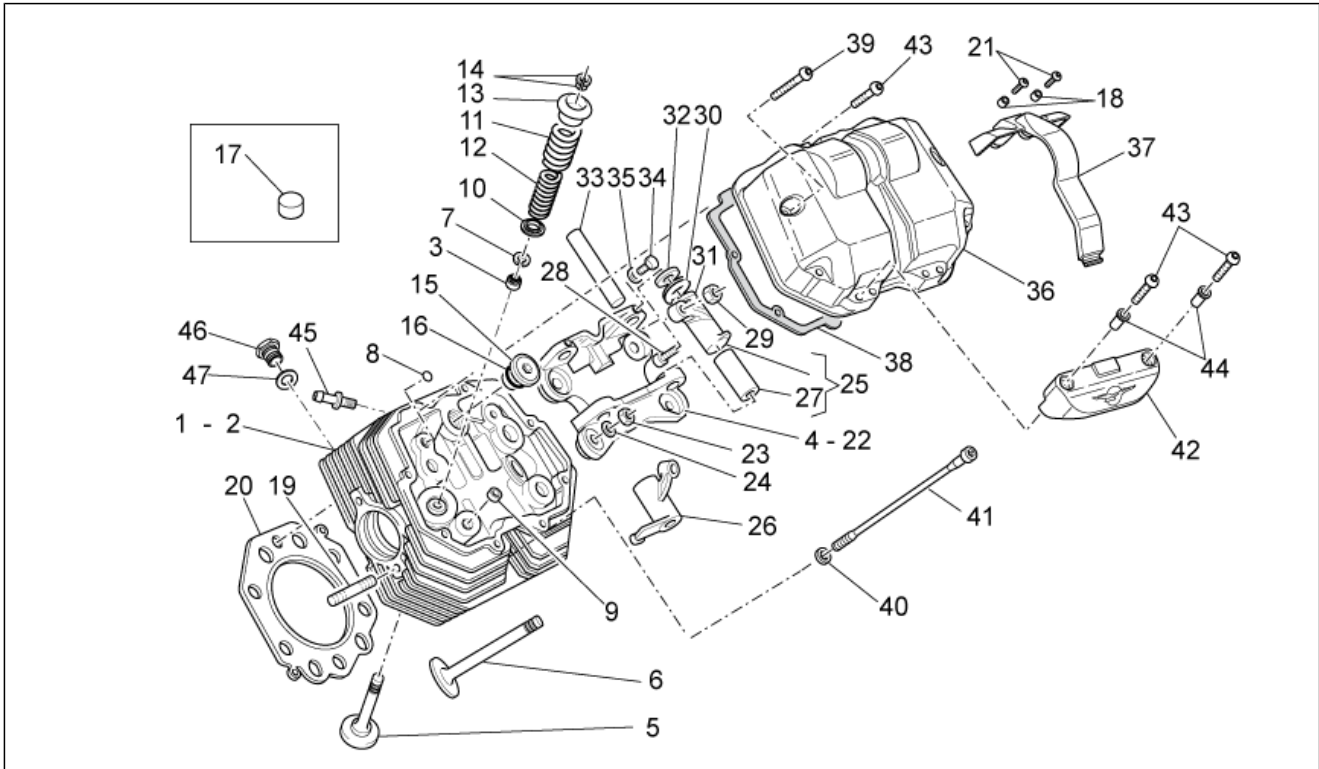
Pos.	Code	Description	Qty	Variants
1	976110	Crankcase, grey	1	
2	GU12003900	Disc	1	
3	GU96508066	Stud bolt M8X66	3	
4	GU91120606	Bushing 6,8x8,8x5,8	4	
5	GU14615901	Washer 8,4X13X0,8	5	
6	GU12018900	Coupling bush	2	
7	GU96508075	Stud bolt M8x75	2	
8	GU92660021	Flanged nut M8	5	
9	GU95512081	Pin	2	
10	GU14011900	Complete flange	1	
10	GU14011901	Flange min.0,2 mm	1	
11	GU12012200	Pin	1	
12	GU98084425	Hex screw M8x25	14	
13	GU61270300	Spring washer 8x15x0,3	18	
14	GU05001231	Cover gasket	1	
15	976098	Cover grey	1	
16	AP8150046	Hex socket screw M8x55	4	
17	GU98682330	Hex socket screw M6x20	10	
18	GU05007230	Joint	1	
19	GU90412237	Gasket ring 22x35x7viton	1	
20	GU98682320	Hex socket screw M6x20	2	
21	GU05001630	Alternator cover grey	1	
22	GU98682316	Hex socket screw M6x16	4	
23	GU98680335	Hex socket screw M6x35	4	
24	GU01003651	Gasket	1	
25	976083	Flange grey	1	
26	GU05003630	Gasket	1	
27	976101	Oil sump grey	1	

Group	ENGINE
Code	34.44
Description	Crank-case
Service	1



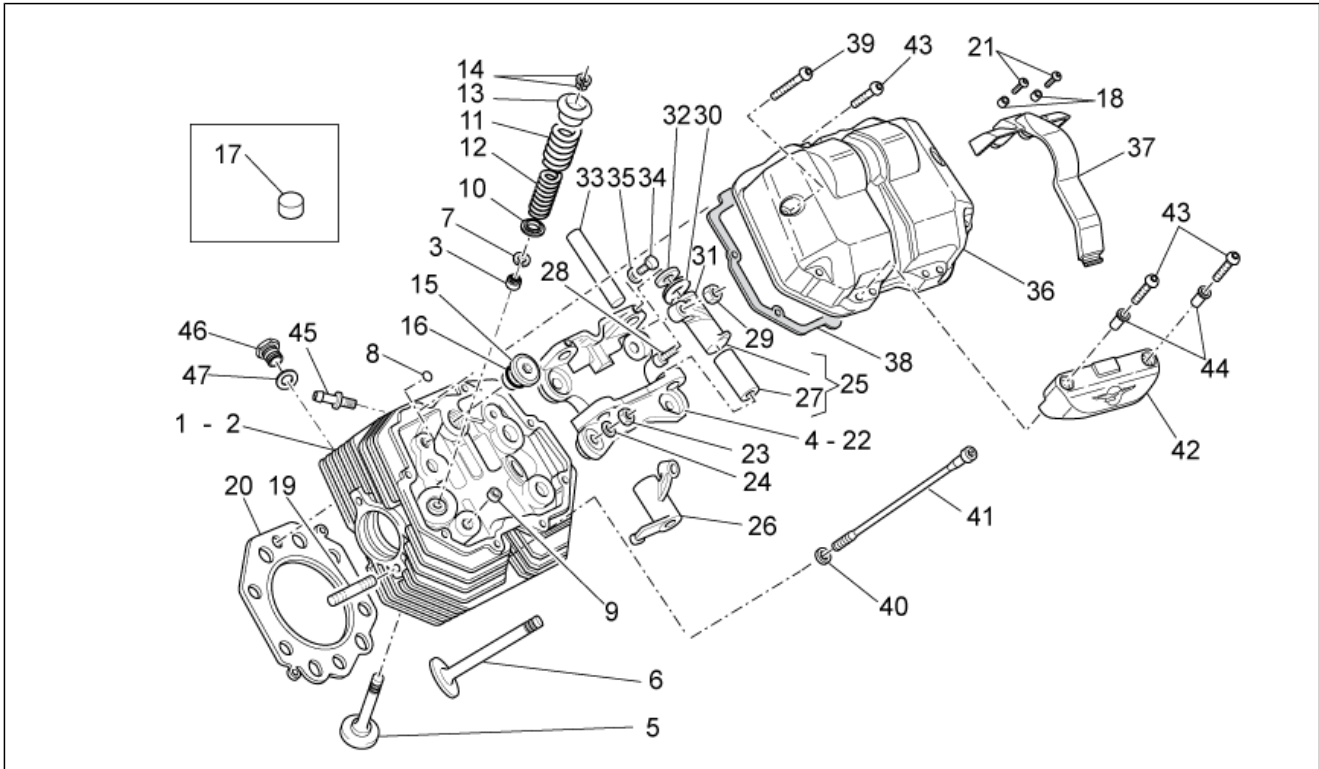
Pos.	Code	Description	Qty	Variants
28	GU12011400	Complete flange	1	
28	GU12011401	Flange min.0,2 mm	1	
28	GU12011402	Flange min.0,4 mm	1	
28	GU12011403	Flange min.0,6 mm	1	
29	GU12011700	Pin	1	
30	AP4ADN000007	Hex socket screw	14	
31	GU98680360	Hex socket screw M6x60	2	
32	GU31003766	Oil unload plug M10x1	1	
33	GU01528930	Gasket 10x18x1,5	1	
34	GU05004930	Oil level plug	1	
35	GU90706178	O-ring 17,86X2,62	1	
36	GU05007330	Plate	1	
37	GU98257408	screw TSPEI M4x8	2	
38	GU91120607	Bushing 6,4x8,4x10,5	2	
39	GU90706347	O-ring 34,65x1,78viton	1	
40	GU05002130	Cover	1	
41	GU90405367	Gasket ring	1	
42	GU05011830	Gasket	1	
43	976184	Engine gasket set	1	
44	976185	Engine oil seal kit/Gear box	1	
45	976918	Engine cpl.	1	
46	AP8152291	Screw w/ flange	1	
47	GU98680340	Hex socket screw M6x40	2	
48	GU95008206	Washer 6,15x11x0,8	8	

Group	ENGINE
Code	34.45
Description	Cylinder head and valves
Service	1



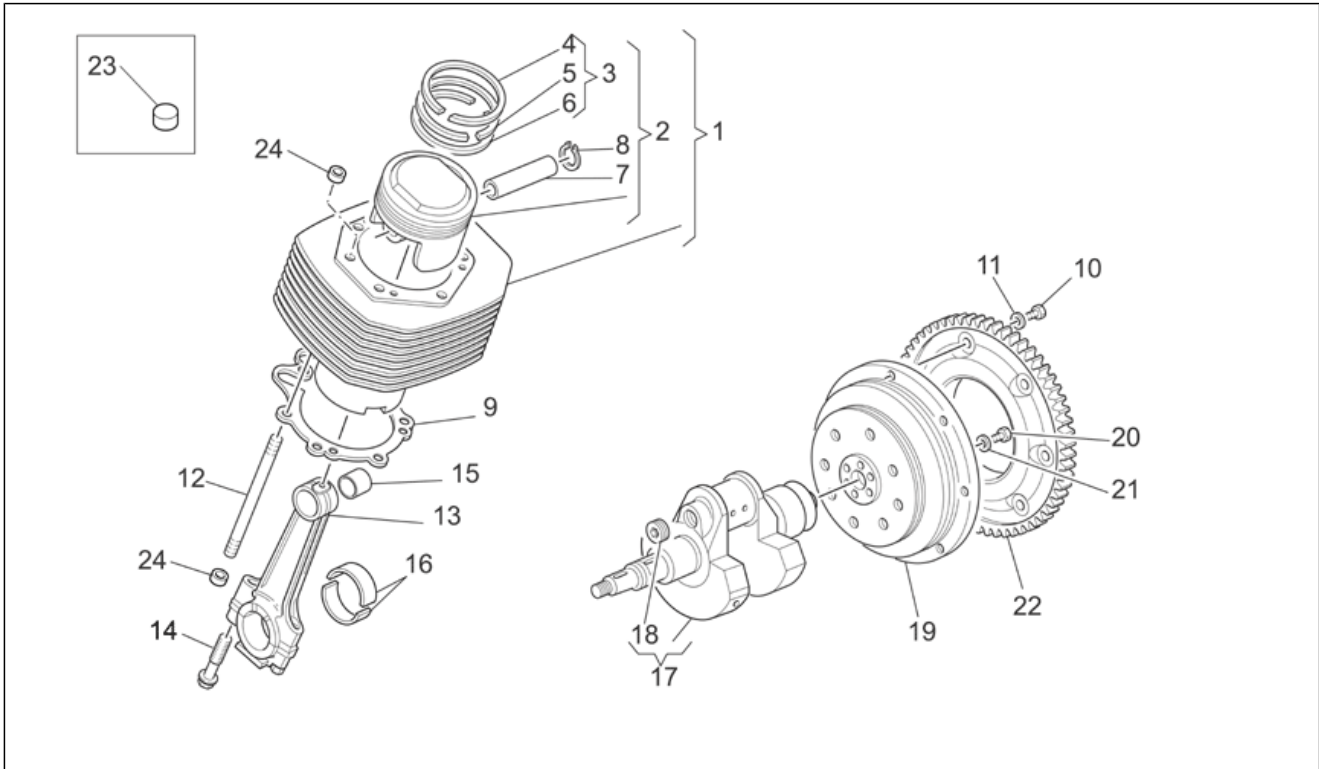
Pos.	Code	Description	Qty	Variants
1	976079	RH head assy w/h valve grey	1	
2	976080	LH head assy without valve grey	1	
3	976107	Valve stem seal D8	4	
4	976152	RH.Rocker arm support	1	
5	GU05036131	Exhaust valve	2	
6	GU05036030	Intake valve	2	
7	GU90353016	Snap ring	4	
8	224202	O-ring 8,73x1,78-viton	4	
9	825597	Pin 11,8X10	4	
10	GU01037030	Lower cup 14,2x32x5	4	
11	GU37037405	Outer spring	4	
12	GU37037605	Inner spring	4	
13	GU01038060	Upper cup	4	
14	GU01038160	Valve half-cone	8	
15	GU12022600	Oil plug	2	
16	GU90706203	O-ring 20,24X2,62	2	
17	GU05025331	Rubber spacer	18	
18	GU91110506	Bushing 5,2x7x6	4	
19	GU96508040	Stud bolt	4	
20	976052	Gasket	2	
21	AP8152268	Hex socket screw M5x16	4	
22	976153	LH.Rocker arm support	1	
23	GU92603010	Nut M10X1,5	8	
24	GU14018400	Washer 10,5X21X1	8	
25	GU14030201	RH rocker arm assy	2	
26	GU14030401	LH rocker arm assy	2	
27	GU91111511	Bushing 15x18x43	4	
28	GU17034050	Adjuster screw	4	

Group	ENGINE
Code	34.45
Description	Cylinder head and valves
Service	1



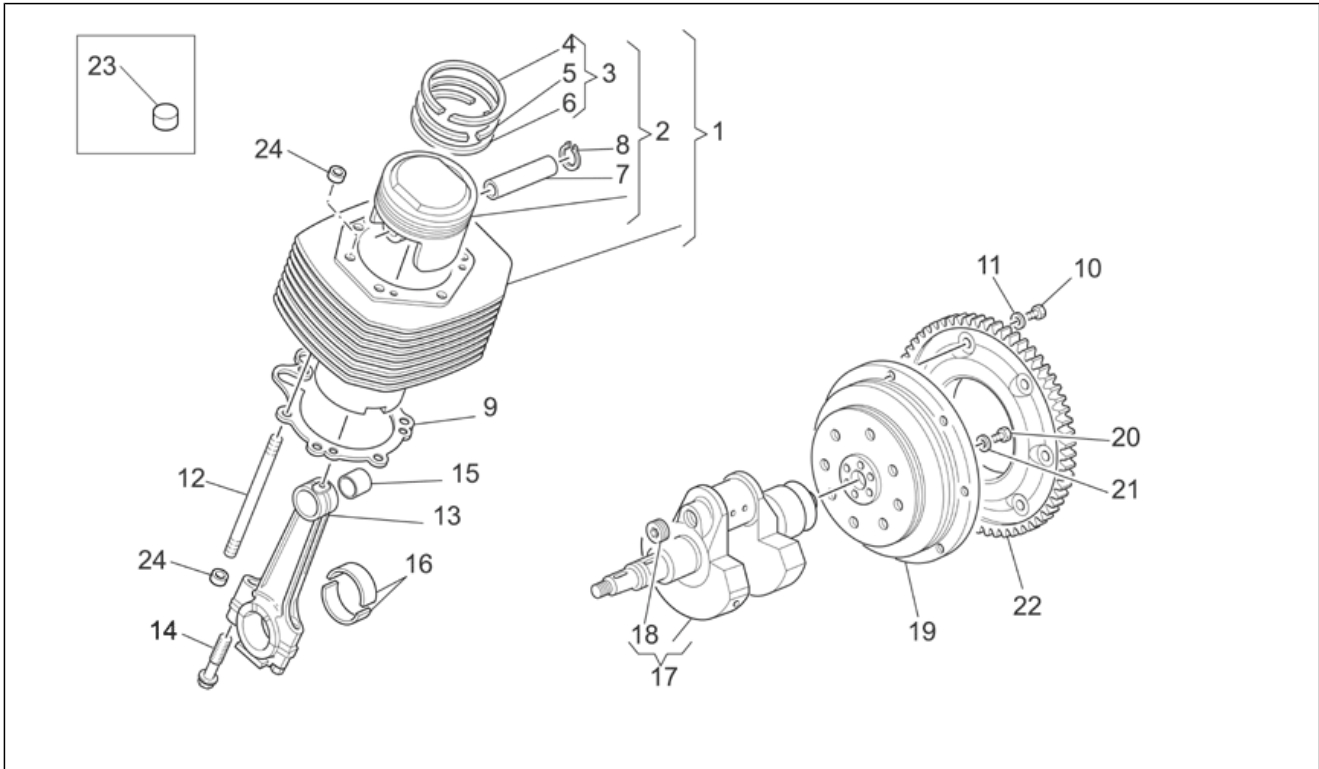
Pos.	Code	Description	Qty	Variants
29	GU10034100	Nut	4	
30	GU94322215	Spring	4	
31	GU90118152	Washer 15,2x26x1	8	
32	GU10032700	Washer 15,2x26x0,5	4	
33	GU12031800	Rocker shaft	4	
34	GU98084316	Hex screw	4	
35	GU95120065	Washer 6,5x11x2	4	
36	GU06023500	Head cover	2	
37	GU06941000	Insert	2	
38	976139	Cover gasket	2	
39	GU05025932	screw M6x50	8	
40	GU95129180	Washer 10,5X18X0,8	4	
41	976144	screw	4	
42	GU06023400	Spark plug cover	2	
43	GU05025931	screw M6x35	12	
44	GU91120617	Bushing 6,2x8,4x17,2	4	
45	GU32023910	Breather union on head	2	
46	976068	Cover	2	
47	969973	Washer	2	

Group	ENGINE
Code	34.46
Description	Crankshaft cpl.
Service	1



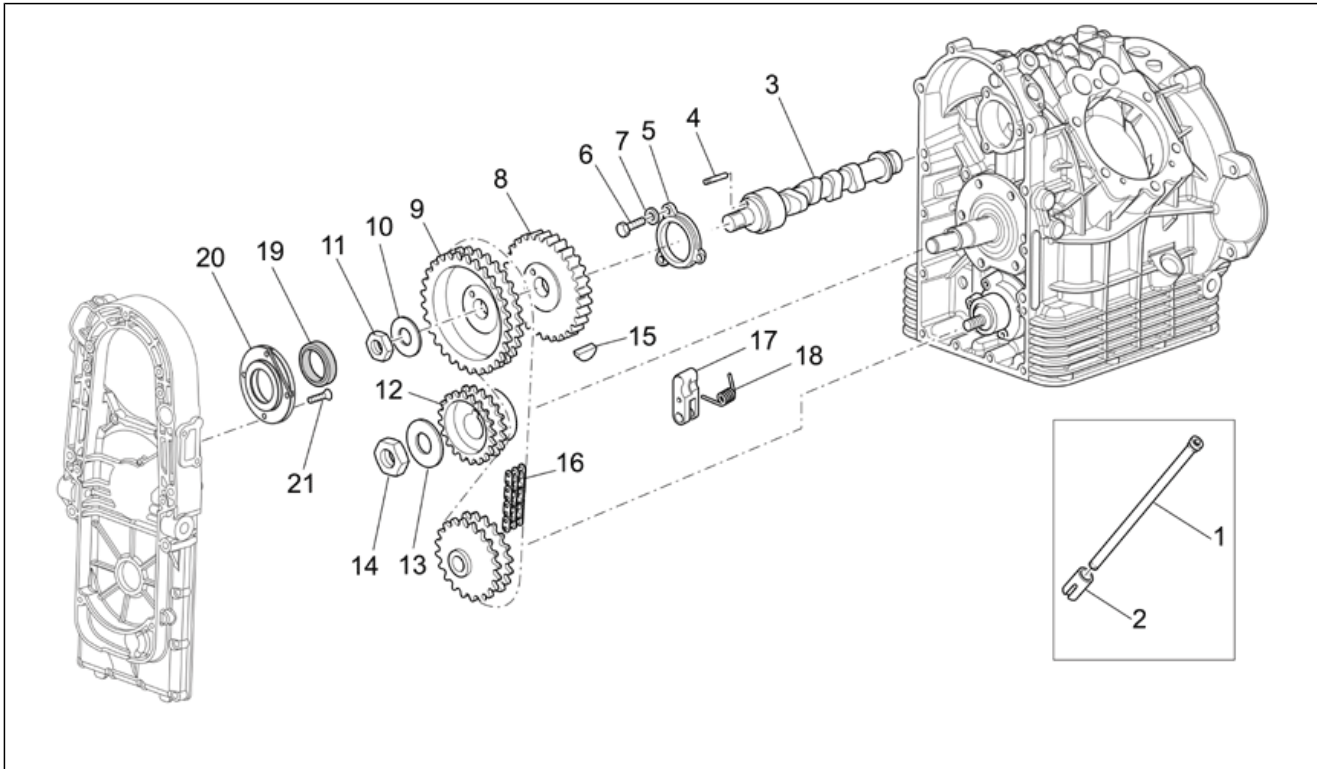
Pos.	Code	Description	Qty	Variants
1	976182	Cylinder with piston	2	
2	976069	Piston assy D.95	2	
3	976183	Pistonring set	2	
4	976070	Piston ring	2	
5	976071	Piston ring	2	
6	976072	Piston ring	2	
7	GU30061241	Piston pin	2	
8	874567	Stop ring	4	
9	976064	Gasket	2	
10	GU37067705	screw	8	
11	GU14217901	Washer 6,4x10x0,7	8	
12	976031	Stud bolt	8	
13	976003	Connecting rod cpl.	2	Technical Specifications: From the engine <a2 11874[M2]
13	GU05061530	Connecting rod cpl.	2	Technical Specifications: Up to engine <a2 11873[M1]
14	849131	Connecting rod screw	4	Technical Specifications: From the engine <a2 11874[M2]
14	GU01062230	Connecting rod screw	4	Technical Specifications: Up to engine <a2 11873[M1]
15	GU91112128	Bushing	2	Technical Specifications: Up to engine <a2 11873[M1]
16	976171	Bearing half-shell 1,539-1,544	4	Technical Specifications: Blue sign[BS], From the engine a2 11874[M2]
16	976172	Bearing half-shell 1,535-1,540	4	Technical Specifications: From the engine a2 11874[M2], Red sign[RS]
16	GU01062030	Bearing half-shell	4	Technical Specifications: Up to engine <a2 11873[M1]
16	GU01062031	Bearing half-shell min.0,254	4	Technical Specifications: Up to engine <a2 11873[M1]
16	GU01062032	Bearing half-shell min.0,508	4	Technical Specifications: Up to engine <a2 11873[M1]
16	GU01062033	Bearing half-shell min.0,762	4	Technical Specifications: Up to engine <a2 11873[M1]
17	976118	Crankshaft cpl.	1	Technical Specifications: Up to engine <a2 11873[M1]
17	976187	Crankshaft cpl.	1	Technical Specifications: From the engine a2 11874[M2]
18	GU37065405	Cover	1	

Group	ENGINE
Code	34.46
Description	Crankshaft cpl.
Service	1



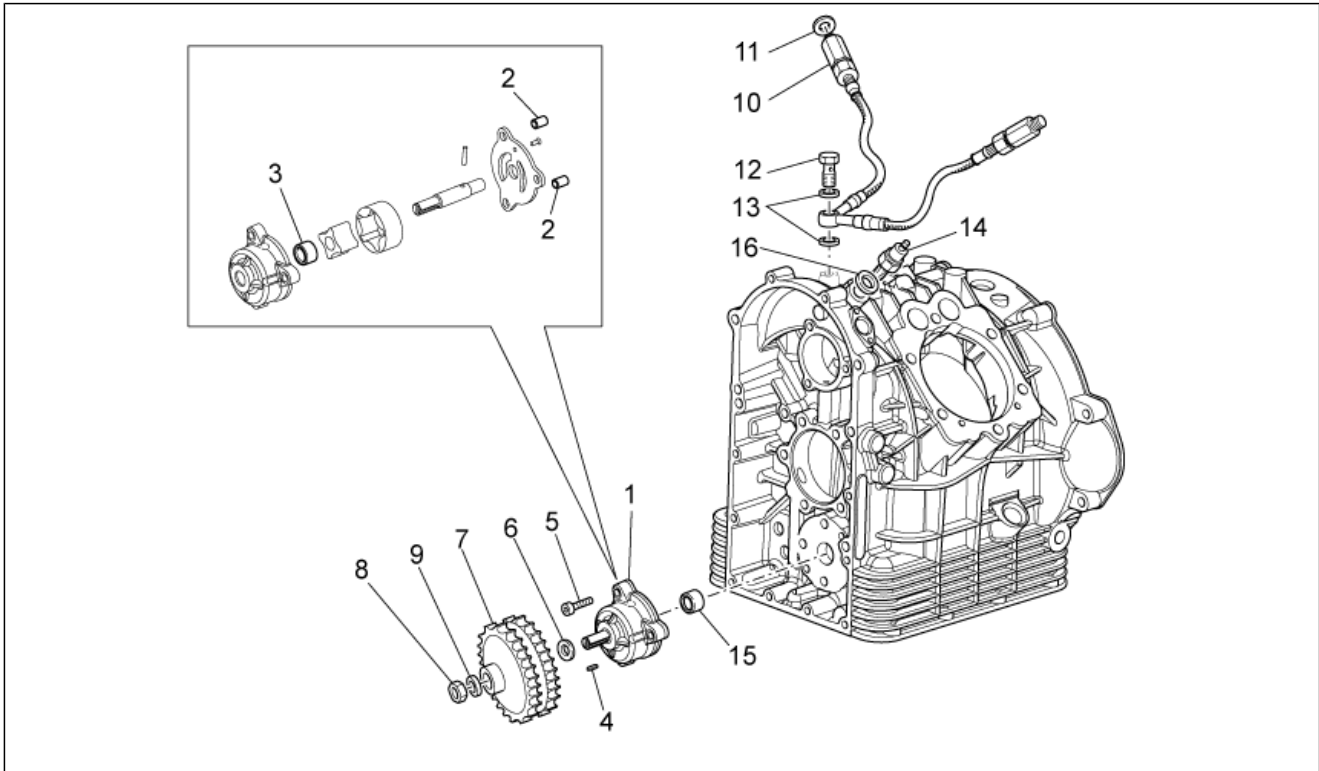
Pos.	Code	Description	Qty	Variants
19	GU04067000	Flywheel cpl.	1	
20	GU12067701	screw	6	
21	GU14615901	Washer 8,4X13X0,8	6	
22	GU01067930	Chain ring	1	
23	GU05025330	Rubber spacer	54	
24	825597	Pin 11,8X10	6	

Group	ENGINE
Code	34.47
Description	Timing system
Service	1



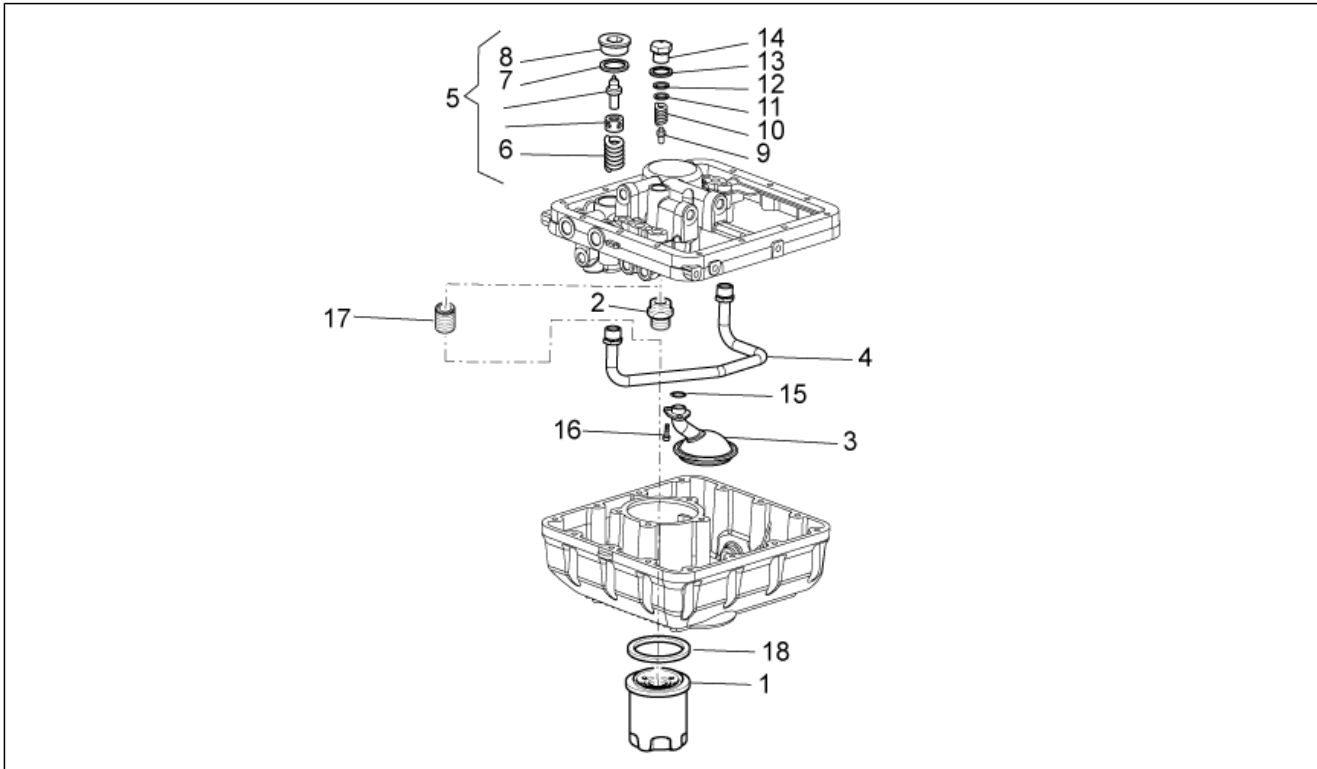
Pos.	Code	Description	Qty	Variants
1	GU37045006	Rocker arm rod	4	
2	GU17045860	Tappet	4	
3	GU05053331	Camshaft	1	
4	GU14234600	Pin	1	
5	GU01054001	Flange	1	
6	GU98084320	Hex screw M6x20	3	
7	GU95120065	Washer 6,5x11x2	3	
8	GU01051730	Wheel speed sensor, left front	1	
9	GU05054532	Timing system gear	1	
10	GU14433400	Spring washer 19x34x1,5	1	
11	GU92750180	Nut M18	1	
12	GU14072001	Pinion	1	
13	GU95100837	Washer 25,5x35x2	1	
14	GU92602525	Nut M25	1	
15	GU91600365	Transmission key 3x6,5	1	
16	GU05058030	Chain	1	
17	GU30058310	Chain guide plate	1	
18	GU30059211	Spring	1	
19	GU90401532	Gasket ring 15x32x7viton	1	
20	GU05055230	Maintenance	1	
21	AP8152043	Hex socket screw M4x10	4	

Group	ENGINE
Code	34.48
Description	Oil pump
Service	1



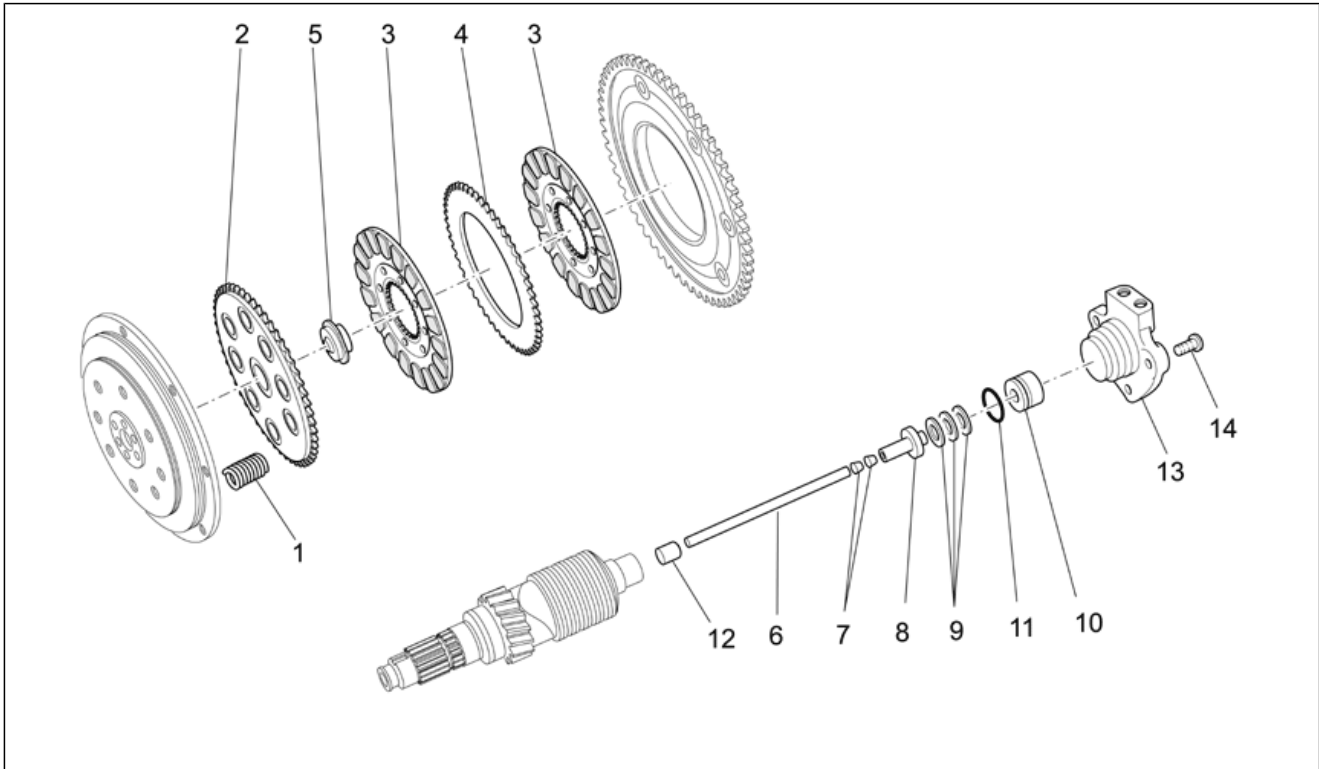
Pos.	Code	Description	Qty	Variants
1	976134	Oil pump	1	
2	277916	Locating dowel	2	
3	976165	Cage à rouleaux 12x18x12	1	
4	GU13148300	Transmission key	1	
5	GU98350330	Hex socket screw M6x30	3	
6	976448	Fifth wheel	1	
7	GU30147700	Oil pump gear	1	
8	GU92602510	Nut M10x1,25	1	
9	GU19149800	Washer 10,5x16x1	1	
10	GU05153630	Pipe	1	
11	GU25656102	Gasket	2	
12	GU95990037	screw	1	
13	GU12154200	Gasket 8,25x15x1	2	
14	GU31768780	Pressure sensor	1	
15	976168	Cage à rouleaux 10x14x12	1	
16	GU12006400	Gasket 12,25	1	
17	976688	Pressure oil sensor cap	1	

Group	ENGINE
Code	34.49
Description	Oil filters
Service	1



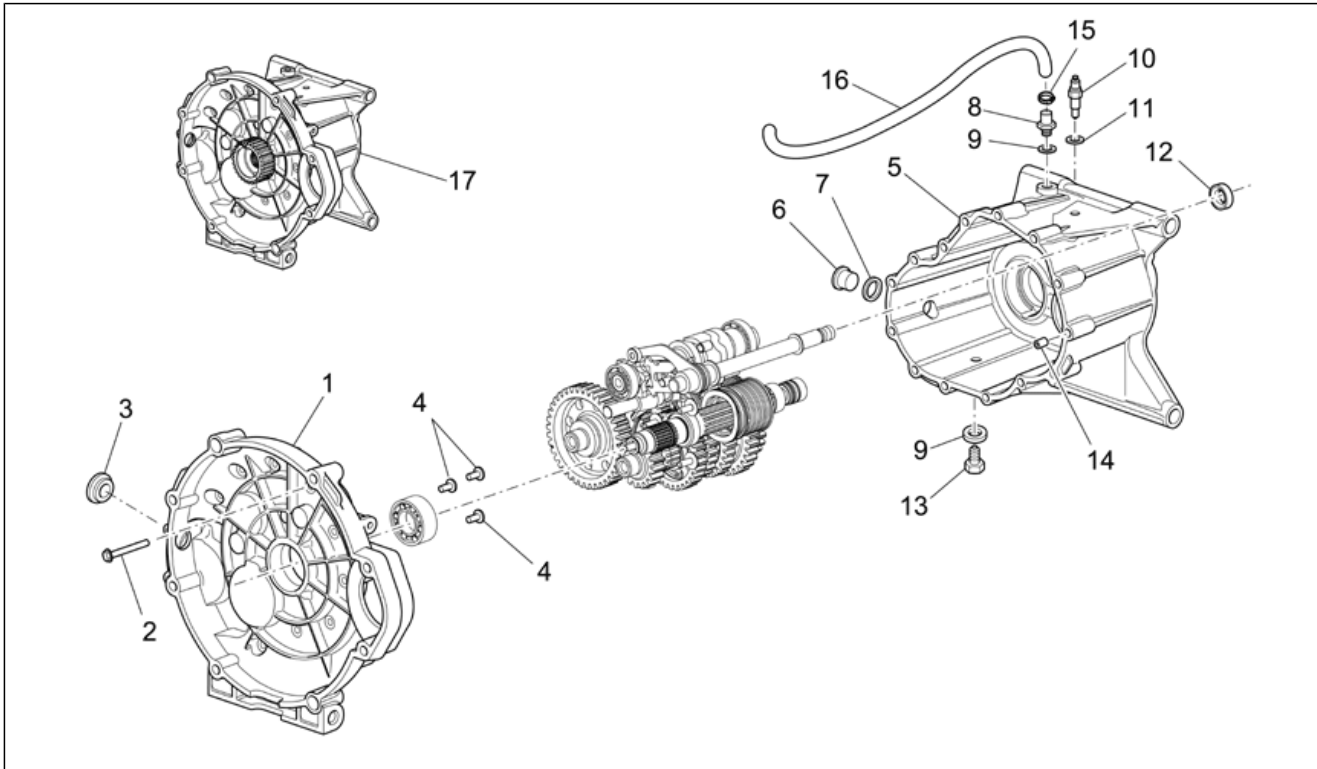
Pos.	Code	Description	Qty	Variants
1	GU30153000	Oil filter	1	
2	GU30003800	Oil filter union	1	Technical Specifications: First series[1A], Up to engine A1 12809[M3]
3	GU05152230	Oil filter	1	
4	GU05005730	pipe	1	
5	GU01163500	Thermostatic valve compl.	1	
6	GU20164010	Spring	1	
7	GU01163700	Copper gasket	1	
8	GU01163600	Cover	1	
9	GU30150900	Piston	1	
10	GU94321077	Spring	1	
11	GU95008206	Washer 6,15x11x0,8	2	
12	GU30158900	Washer	1	
13	GU18144350	Washer 18,25x24x1	1	
14	GU31159050	Cover	1	
15	GU90706151	O-ring 15,08x2,62viton	1	
16	GU98682316	Hex socket screw M6x16	2	
17	829122	Oil filter union	1	Technical Specifications: Second series[2A], From engine A1 12810[M4]
18	981115	Gasket	1	Technical Specifications: Ref. Technical communication n.... [CT1]

Group	ENGINE
Code	34.50
Description	Clutch
Service	1



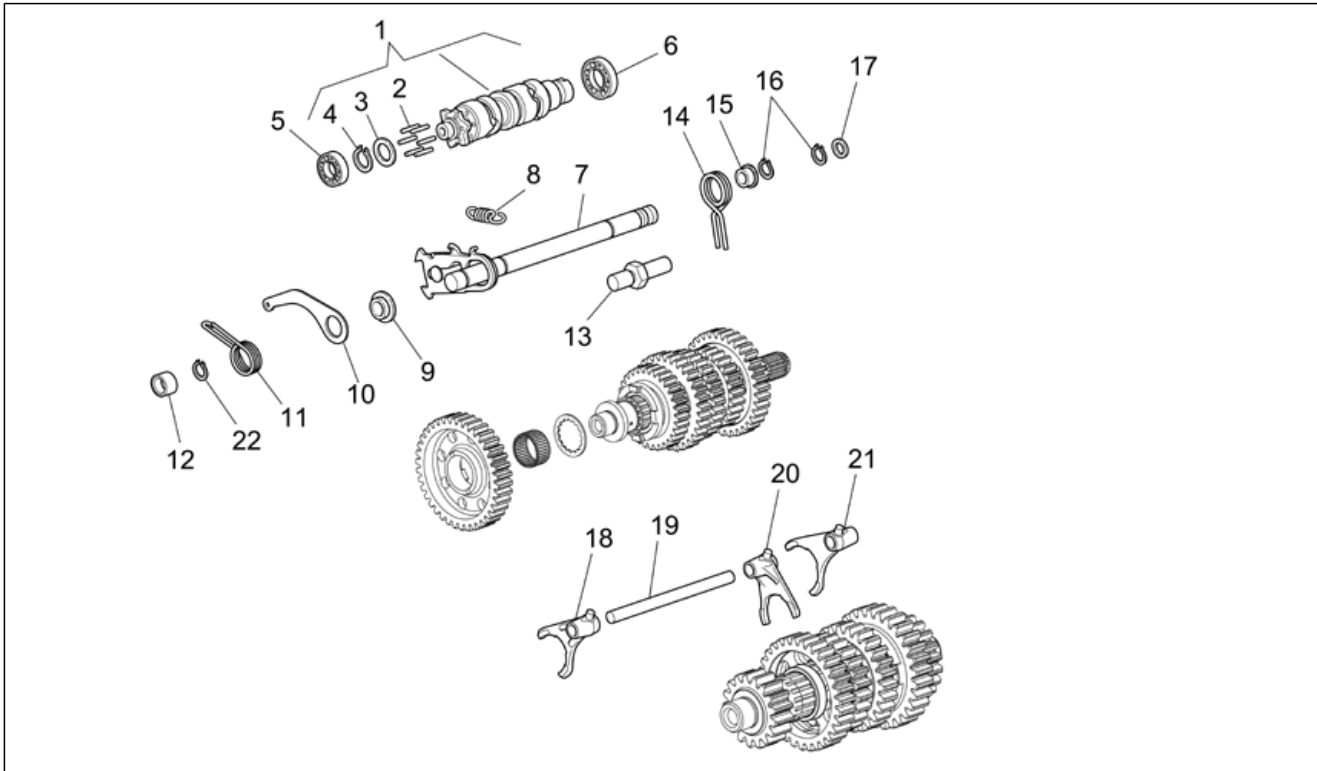
Pos.	Code	Description	Qty	Variants
1	GU04084100	Clutch spring	5	
1	GU13084100	Clutch spring	5	Technical Specifications:Red sign[RS]
2	GU30082900	Disc	1	
3	GU05084430	Clutch plate complete	2	
4	GU12082300	Intermediate plate	1	
5	GU04082800	Cup	1	
6	GU05085730	Rod	1	
7	GU14085900	Bush	2	
8	GU14086000	Inner body	1	
9	GU12087001	Thrust bearing	1	
10	GU04086100	Clutch control cylinder	1	
11	GU90706170	O-ring 17,13x2,62	1	
12	GU05217630	Bushing	1	
13	GU05086330	Clutch command cylinder	1	
14	AP8152278	Screw w/ flange M6x16	3	

Group	ENGINE
Code	34.51
Description	Transmission cage
Service	1



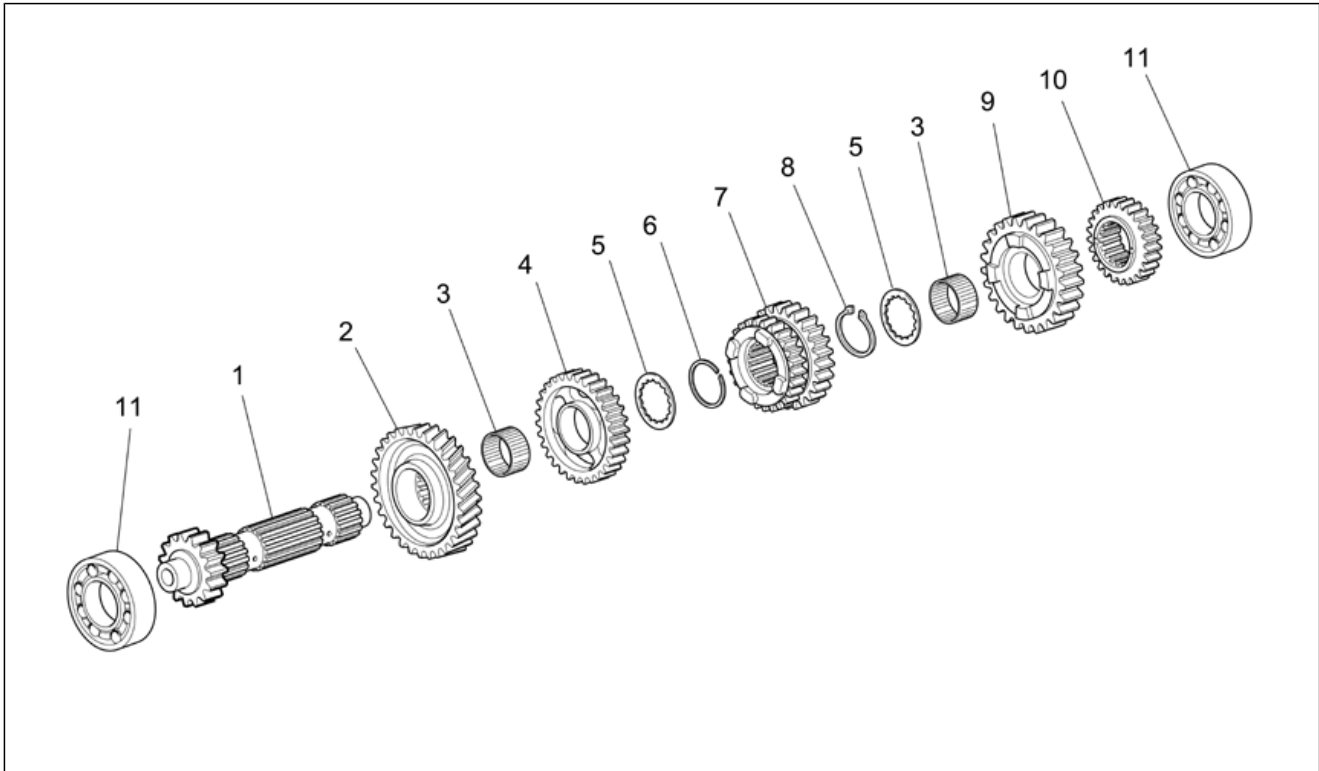
Pos.	Code	Description	Qty	Variants
1	976102	Clutch housing, grey	1	
2	GU97202355	Screw w/ flange M6x55	14	
3	GU93180220	Cover	1	
4	GU98370616	Hex socket screw M6x16 inox	3	
5	976104	Gearbox, grey	1	
6	GU95980319	Oil plug M18x1,5	1	
7	GU18144350	Washer 18,25x24x1	1	
8	GU05204930	Breather plug	1	
9	GU01528930	Gasket 10x18x1,5	2	
10	GU19207220	Sensor	1	
11	B063025	Guarnizione 8,7x14,2x1,3	1	
12	GU90401424	Gasket ring 14x24x7	1	
13	GU31003766	Oil unload plug M10x1	1	
14	GU19002020	Bushing 6,6x9x13	2	
15	AP8101595	Hose clamp D10,1	1	
16	AP8120952	Fuel pipe 5,5x10	1	
17	976919	Gear box assy	1	

Group	ENGINE
Code	34.52
Description	Gear box selector
Service	1



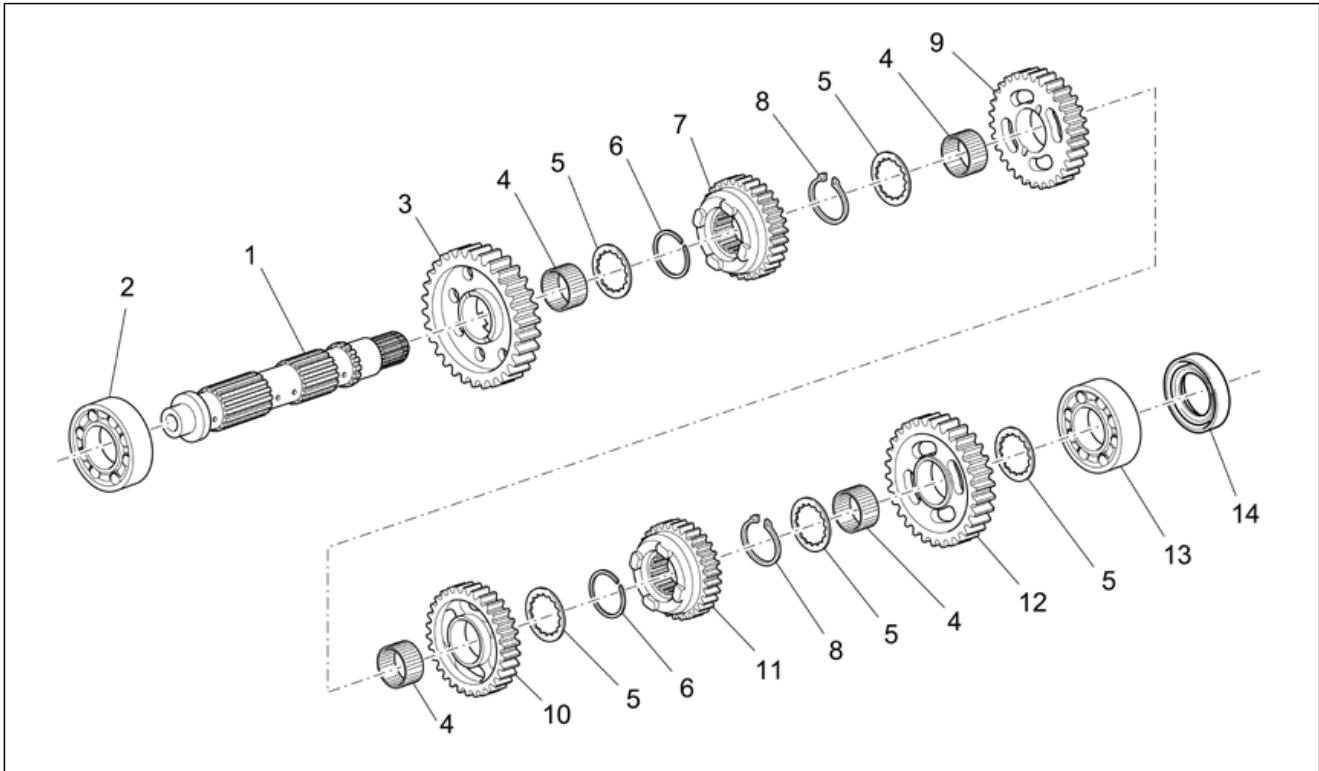
Pos.	Code	Description	Qty	Variants
1	GU05234431	Shift cam cpl.	1	
2	GU05234631	Pin	6	
3	GU05235531	Spacer	1	
4	GU90271022	Circlip	1	
5	GU92201117	Ball bearing 17x35x10	1	
6	GU92201025	Ball bearing 25x42x9	1	
7	GU05236231	Preselection complete	1	
8	GU05238231	Spring	1	
9	GU05238431	Bushing	1	
10	GU05234731	Lever Index	1	
11	GU05234130	Spring	1	
12	GU05234230	Spacer	1	
13	GU05234931	Fixing pin	1	
14	GU05238331	Spring	1	
15	GU05238131	Spacer	1	
16	GU90271014	Circlip	2	
17	GU05239330	Fifth wheel	1	
18	GU05230531	Fork 1a-3a	1	
19	GU05232431	Fork shaft	1	
20	GU05232631	Fork 5a-6a	1	
21	GU05230831	Fork 2a-4a	1	
22	GU90353014	Circlip	1	

Group	ENGINE
Code	34.53
Description	Primary gear shaft
Service	1



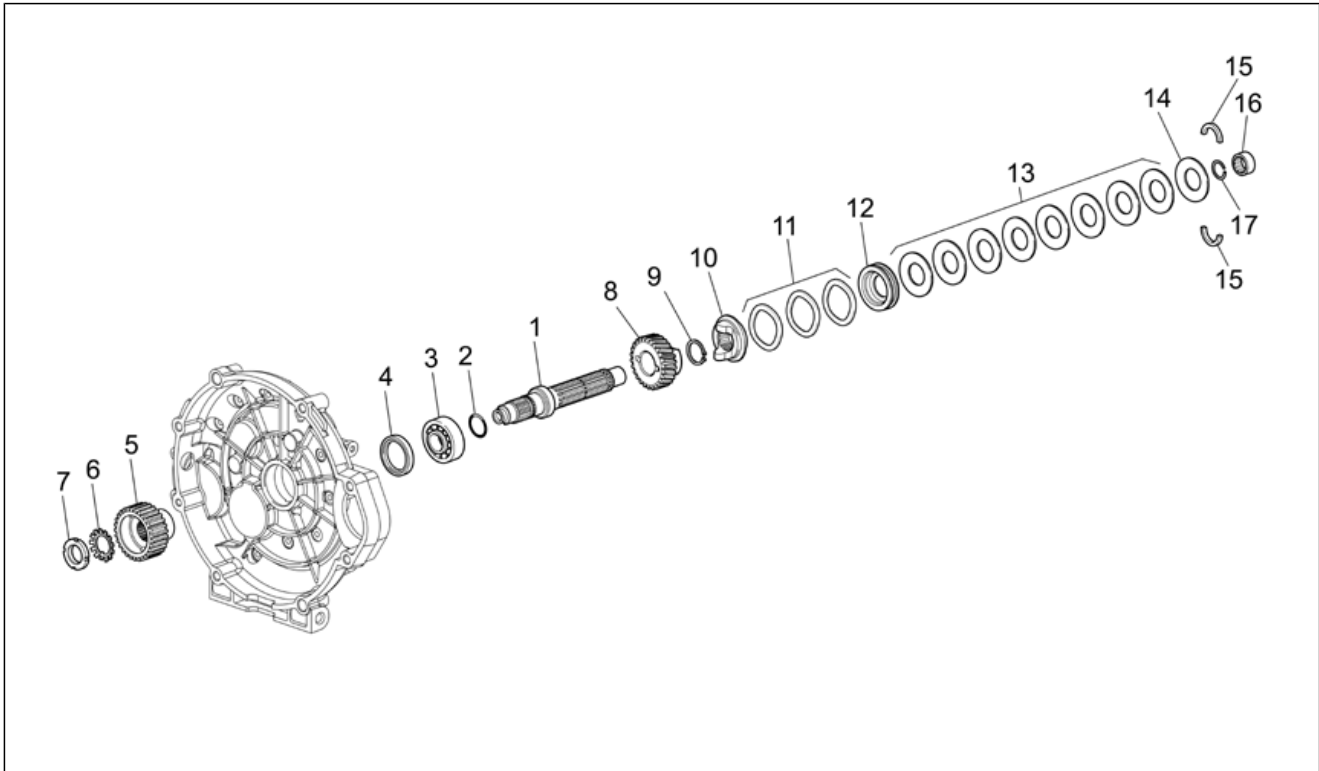
Pos.	Code	Description	Qty	Variants
1	GU05210631	Primary gear shaft Z=17	1	
2	GU06215600	Drive gears Z=35	1	
3	GU92252029	Roller cage 26x30x15,6	2	
4	976177	Gear 5a Z=31	1	
5	GU05214630	Clearance washer	2	
6	GU90271230	Snap ring 30x1,2SW	1	
7	GU05211431	Gear 3a-4a Z=23-26	1	
8	GU90271030	Snap ring 30x27,9	1	
9	976179	Gear 6a Z=30	1	
10	GU05211331	Gear 2a Z=20	1	
11	GU92201822	Ball bearing 20x52x15	2	

Group	ENGINE
Code	34.54
Description	Driven shaft
Service	1



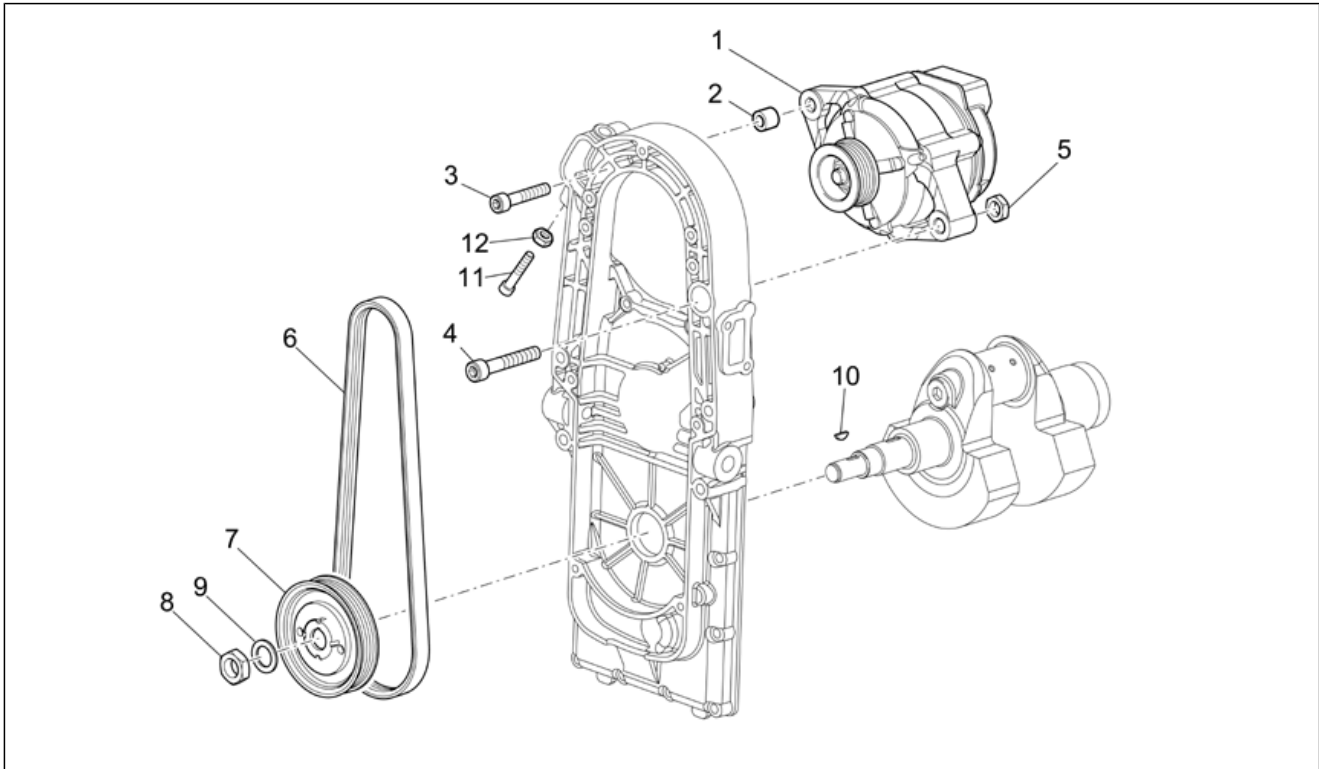
Pos.	Code	Description	Qty	Variants
1	GU05213631	Driven shaft	1	
2	GU92201822	Ball bearing 20x52x15	1	
3	GU05214231	Gear 1a Z=38	1	
4	GU92252029	Roller cage 26x30x15,6	4	
5	GU05214630	Clearance washer	5	
6	GU90271230	Snap ring 30x1,25W	2	
7	976178	Gear 5a Z=29	1	
8	GU90271030	Snap ring 30x27,9	2	
9	GU05214731	Gear 3a Z=31	1	
10	GU05215031	Gear 4a Z=29	1	
11	976180	Gear 6a Z=24	1	
12	GU05214431	Gear 2a Z=34	1	
13	GU92201226	Ball bearing 25x52x15	1	
14	GU90412541	Gasket ring 25X40X7	1	

Group	ENGINE
Code	34.55
Description	Clutch shaft
Service	1



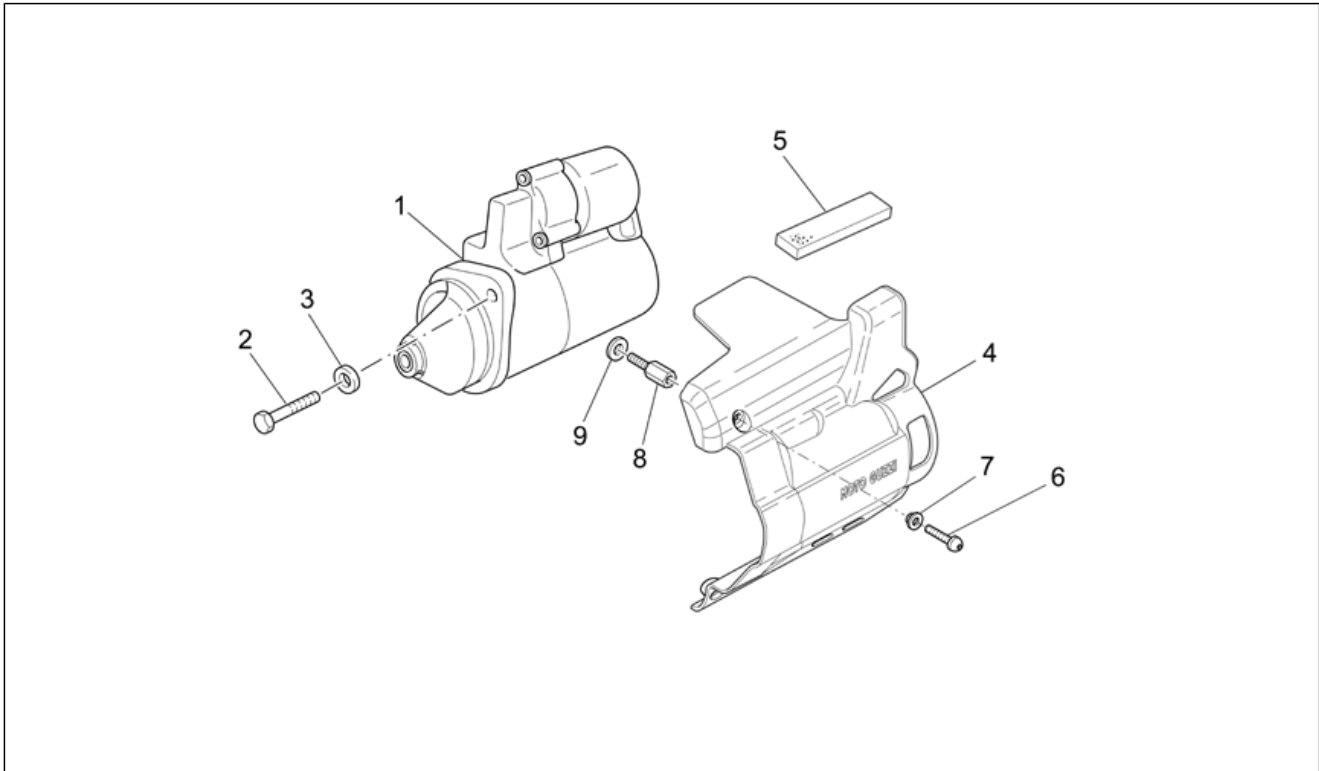
Pos.	Code	Description	Qty	Variants
1	GU05210731	Clutch shaft	1	
2	GU90706203	O-ring 20,24X2,62	1	
3	GU92201226	Ball bearing 25x52x15	1	
4	GU90403549	Gasket ring 35x47x7	1	
5	GU05081830	Clutch gear	1	
6	GU95028022	Washer 22x20x3,9	1	
7	GU93601022	Ring nut	1	
8	GU06211100	Idle gear Z=24	1	
9	GU90271125	Snap ring 25x2	1	
10	GU05211231	Hose	1	
11	GU95129340	Washer	3	
12	GU05211030	Disc	1	
13	GU05211530	Belleville spring	8	
14	GU05211630	Disc	1	
15	GU12211700	Half ring	2	
16	GU92232028	Roller bearing 20x28x13	1	
17	GU90272028	Snap ring 28x30,1	1	

Group	ENGINE
Code	34.56
Description	Current generator
Service	1



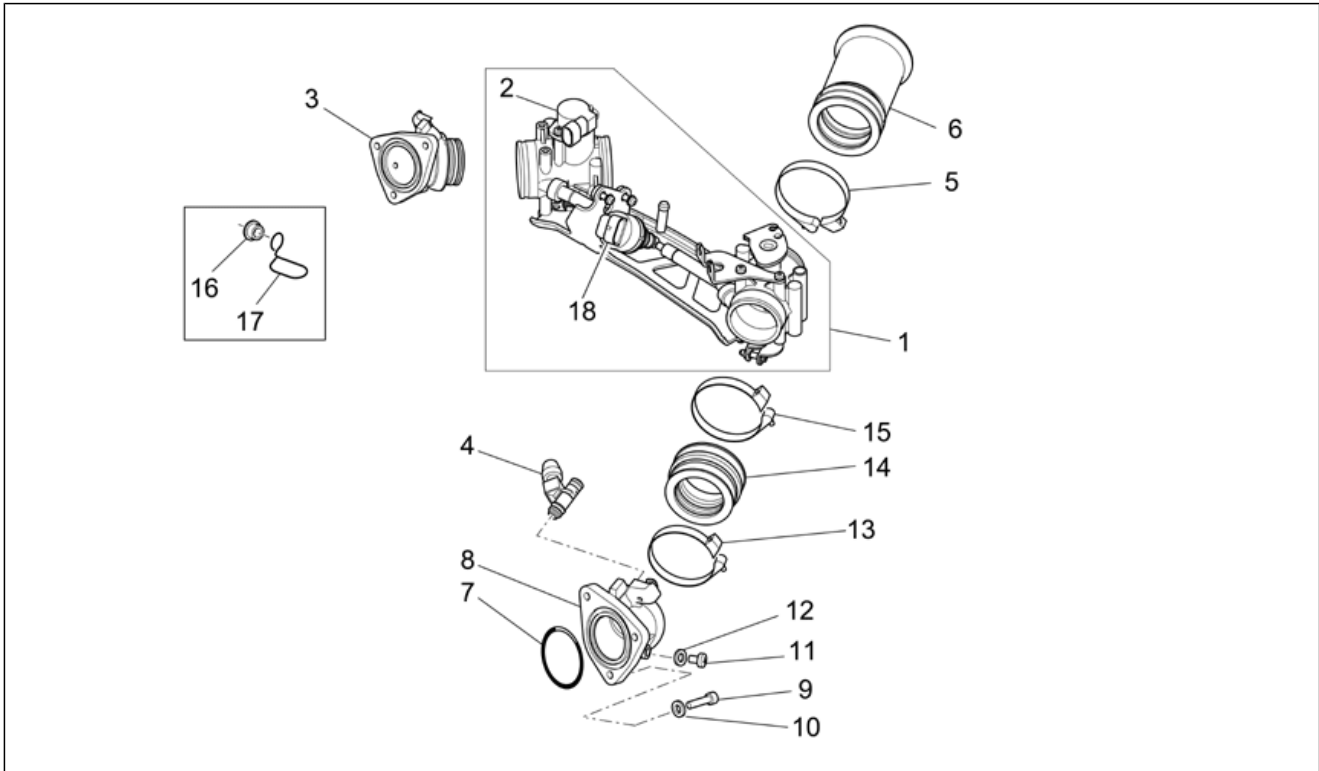
Pos.	Code	Description	Qty	Variants
1	GU05712431	Generator	1	
2	GU91180823	Spacer 8,5x17x13	1	
3	GU98620445	Hex socket screw M8x45	1	
4	GU98620560	Hex socket screw M10x60	1	
5	GU92660012	Nut M10X1,5	1	
6	GU05702530	Belt	1	
7	GU05701430	Generator lever pulley	1	
8	GU92606516	Nut M16	1	
9	GU30714201	Washer 16,25x24,5x5	1	
10	AP4FAN000030	Flywheel magneto key	1	
11	GU98230850	Hex socket screw M8x50	1	
12	GU92605408	Nut M8x1,25	1	

Group	ENGINE
Code	34.57
Description	Starter motor
Service	1



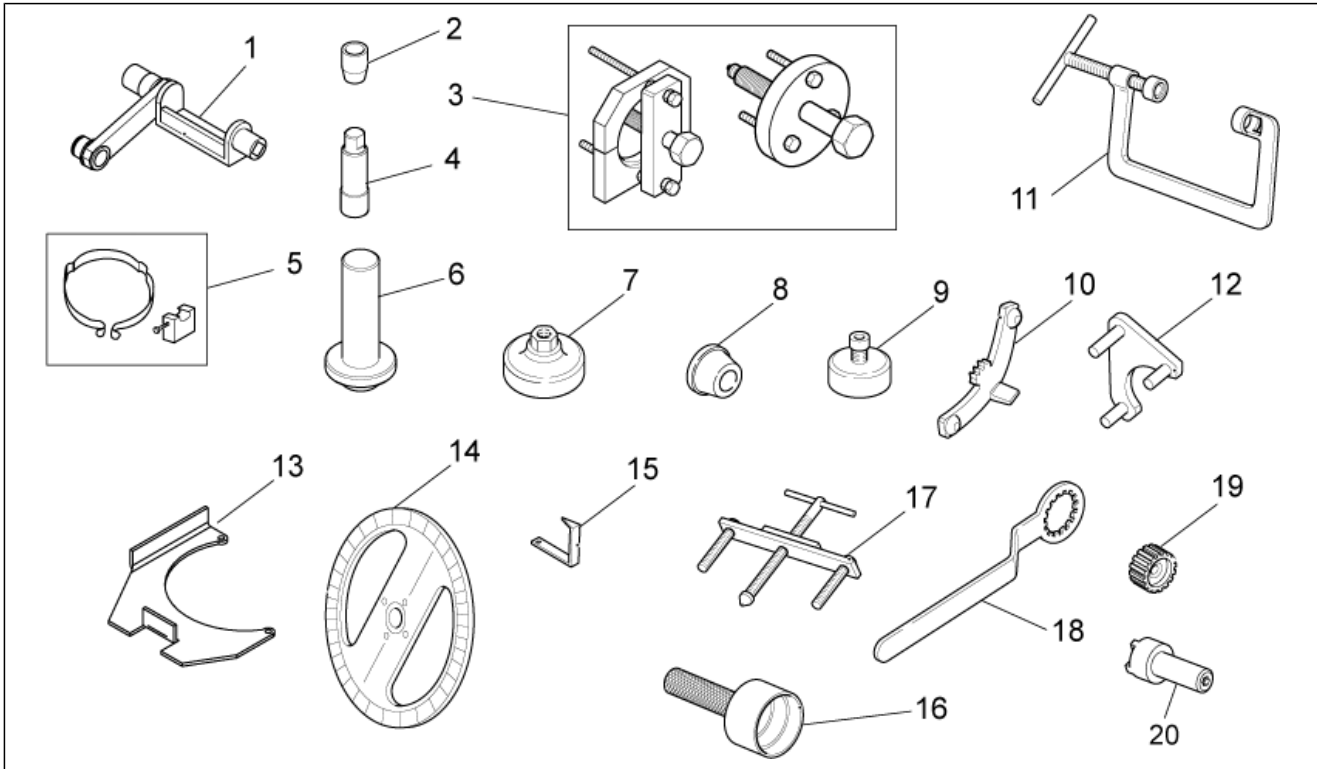
Pos.	Code	Description	Qty	Variants
1	GU05730730	Starter motor Bosch	1	
2	GU98082475	Hex screw M8x75	2	
3	GU95008208	Washer 8,4X15X1,5	2	
4	GU05733330	Cover chrome grey	1	
5	AP8117200	Adhesive sponge	1	
6	GU98370609	Hex socket screw M6x10	2	
7	AP8121032	Bush	2	
8	GU03469201	Stud bolt	1	
9	GU03013800	Washer 6,4x12	1	

Group	ENGINE
Code	34.58
Description	Throttle body
Service	1



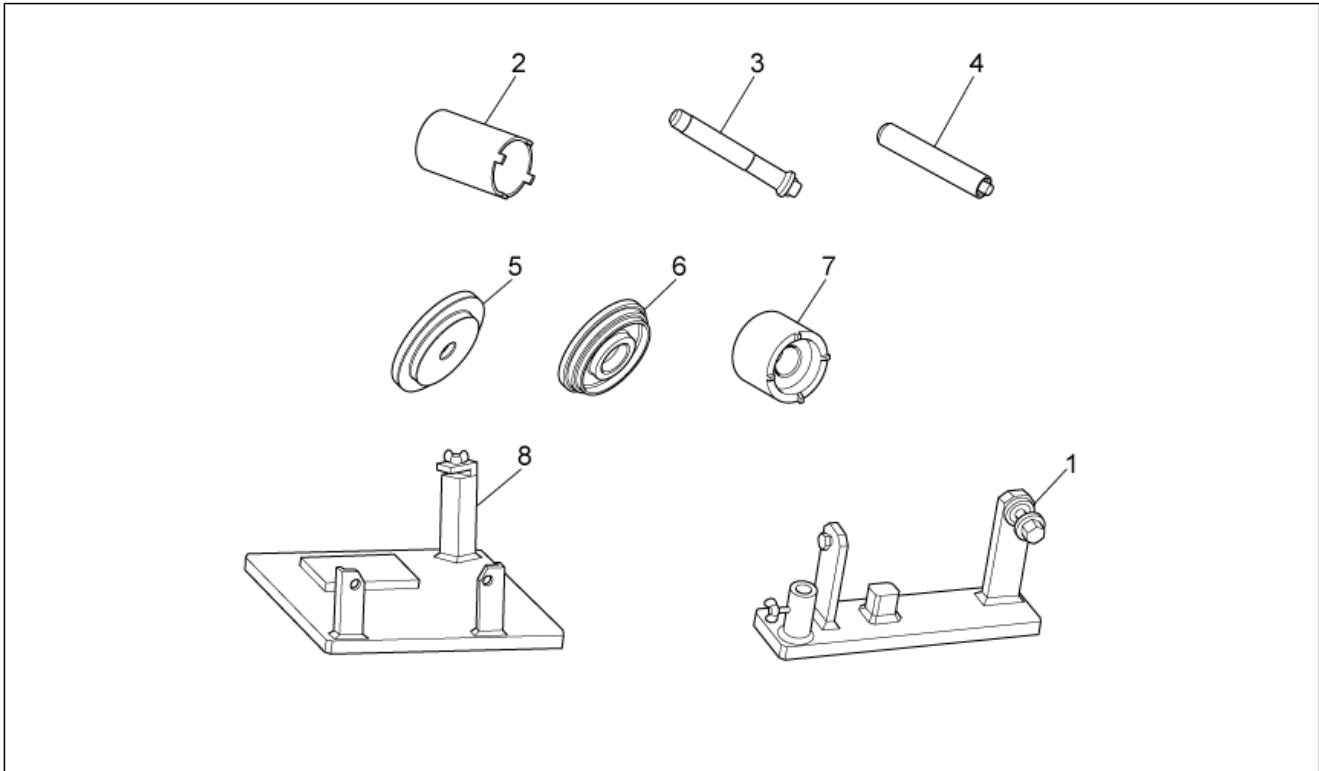
Pos.	Code	Description	Qty	Variants
1	GU05112530	Throttle assy	1	
2	GU05112830	Potentiometer	1	
3	GU05115030	RH manifold	1	
4	GU05115730	Injector kit complete	2	
5	GU93305058	Hose clamp	2	
6	GU05114430	Intake hose	2	
7	GU90706461	O-ring 46,04x3,53	2	
8	GU05115031	LH manifold	1	
9	GU98682325	Hex socket screw M6x25	6	
10	GU95008206	Washer 6,15x11x0,8	6	
11	GU98350310	Hex socket screw M6x20	2	
12	GU95100116	Washer 6,25x10x1,5	2	
13	GU93305057	Hose clamp 57x59,5x10	2	
14	GU01114390	Hose	2	
15	GU93305061	Hose clamp 61/65,5	2	
16	GU31576183	Spacer	1	
17	AP8120428	Cable-guide	1	
18	GU05135830	Min.regulation engine	1	

Group	SPECIAL TOOLS
Code	36.59
Description	Specific tools I
Service	1



Pos.	Code	Description	Qty	Variants
1	GU05948630	Belt tensioning tool	1	
2	GU05911730	Front cover installation cone	1	
3	GU05912530	Gearbox opening tool	1	
4	GU05901930	Spark plug spanner	1	
5	GU05928030	Piston ring clamp	1	
6	GU05927230	Timing cover seal drift	1	
7	GU01929100	Wrench remov.cover sump/filter	1	
8	GU12912000	Flange flywheel side	1	
9	GU14927100	Seal ring onto flange fly.side	1	
10	GU12911801	Lock flywh.starter motor gear	1	
11	GU10907200	Valve removal and fitting	1	
12	GU14927300	Clamping the camshaft gearing	1	
13	GU05902530	Gearbox housing support	1	
14	GU19929600	Index plate tim.sett./ign.cont	1	
15	GU17947560	Arrow tim.set.ignition control	1	
16	GU19927100	Seal ring flange flywheel side	1	
17	GU12913600	Flange removal flywheel side	1	
18	GU30912810	Locking clutch internal body	1	
19	GU30906510	Tool for clutch assembly	1	
20	GU14912603	Key	1	

Group	SPECIAL TOOLS
Code	36.60
Description	Specific tools II
Service	1



Pos.	Code	Description	Qty	Variants
1	GU05902736	Bevel gears support	1	
2	AP8140190	Steering lock tool	1	
3	GU05902732	Handle for drifts	1	
4	GU05902733	Ball joint seal drift	1	
5	GU05902731	Transmis.box oil seal drift 85	1	
6	GU05902735	Sprocket oil seal drift 45x58	1	
7	GU05902734	Wrench for sprocket ring nut	1	
8	GU05902730	Transmission box support	1	