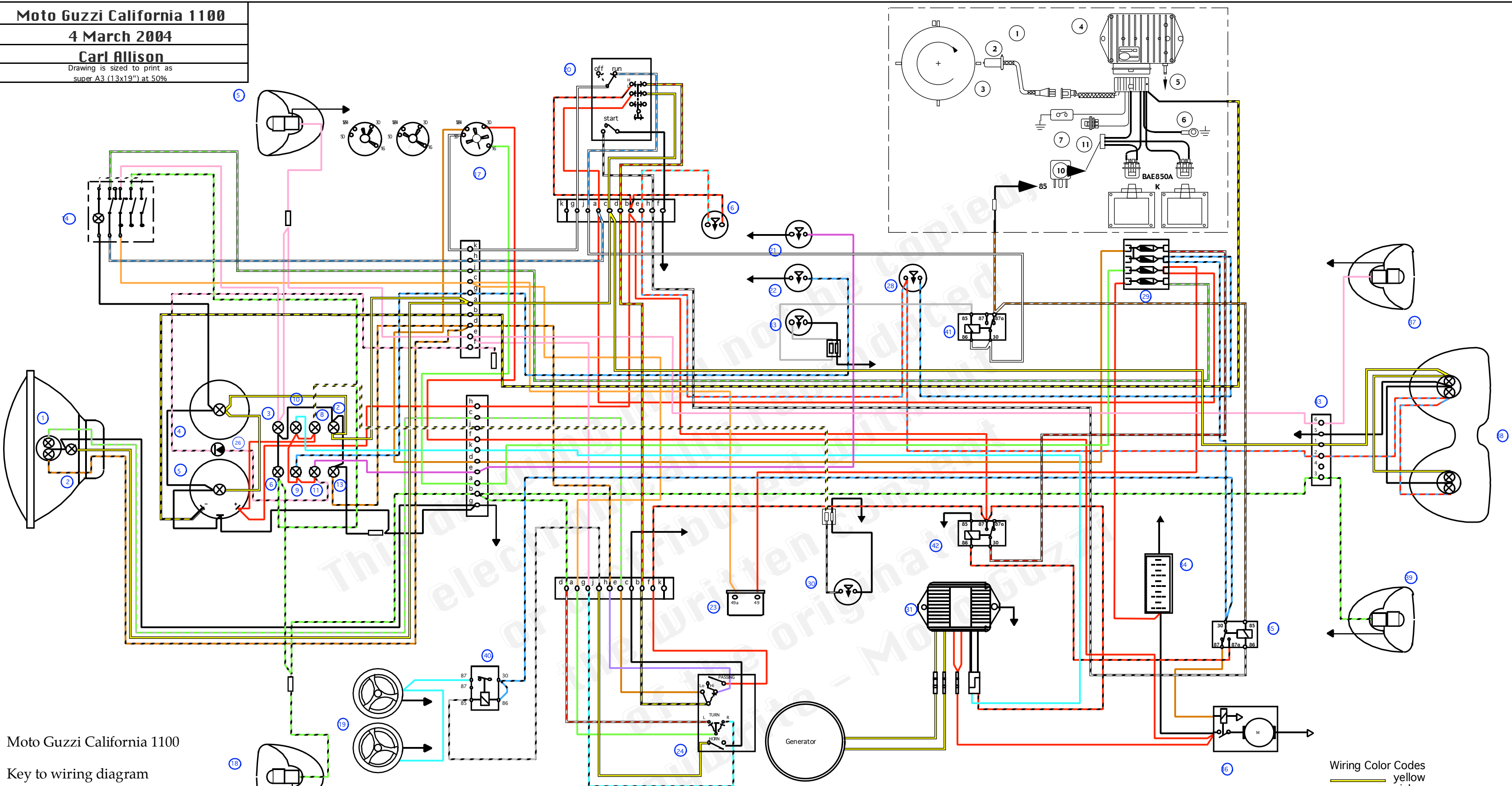


**Moto Guzzi California 1100**

4 March 2004

Carl Allison

Drawing is sized to print as  
super A3 (13x19") at 50%



Moto Guzzi California 1100

Key to wiring diagram

1. Bulb, main/dipped beam 60/55 W
2. Bulb, front sidelights 4W
3. Bulb, r/h direction indicator warning light
4. Bulb, speedometer light
5. Bulb, rev. counter light
6. Bulb, l/h direction indicator warning light
8. Bulb, fuel level warning light
9. Bulb, oil pressure warning light
10. Bulb, generator warning light
11. Bulb, neutral warning light
12. Bulb, sidelight warning light
13. Bulb, main beam warning light
14. Flasher switch
15. R/H front direction indicator

16. Front brake stop switch
17. Starter switch
18. L/H front direction indicator
19. Two-note horn
20. Control switch: start/stop engine
21. Neutral switch
22. Oil pressure switch
23. Blinker unit (12V-46W)
24. Control switch: lights-horn-direction indicators
25. Wiring diagram with electronic ignition "Digiplex"
26. Luminous diode (Check lamp)
28. Rear brake stop switch
29. Fuse terminal board
30. Low fuel level warning sensor

31. Voltage regulator (12 Vdc/25A)
32. Alternator 14V-25A
33. Side stand microswitch
34. Battery 12V-30 Ah
35. Starter solenoid
36. Starter motor
37. R/H rear direction indicator
38. Bulb, number plate and stop light
39. UH rear direction indicator
40. Two-note horn switch
41. Solenoid for side stand
42. Headlamp relay
43. Connector, 6-way Molex

- Wiring Color Codes
- yellow
  - pink
  - red
  - brown
  - orange
  - violet
  - blue
  - light blue
  - green
  - grey
  - white/black
  - yellow/white
  - red/white
  - brown/white
  - blue/white
  - green/white
  - grey/red
  - grey/green
  - red/yellow
  - yellow/black