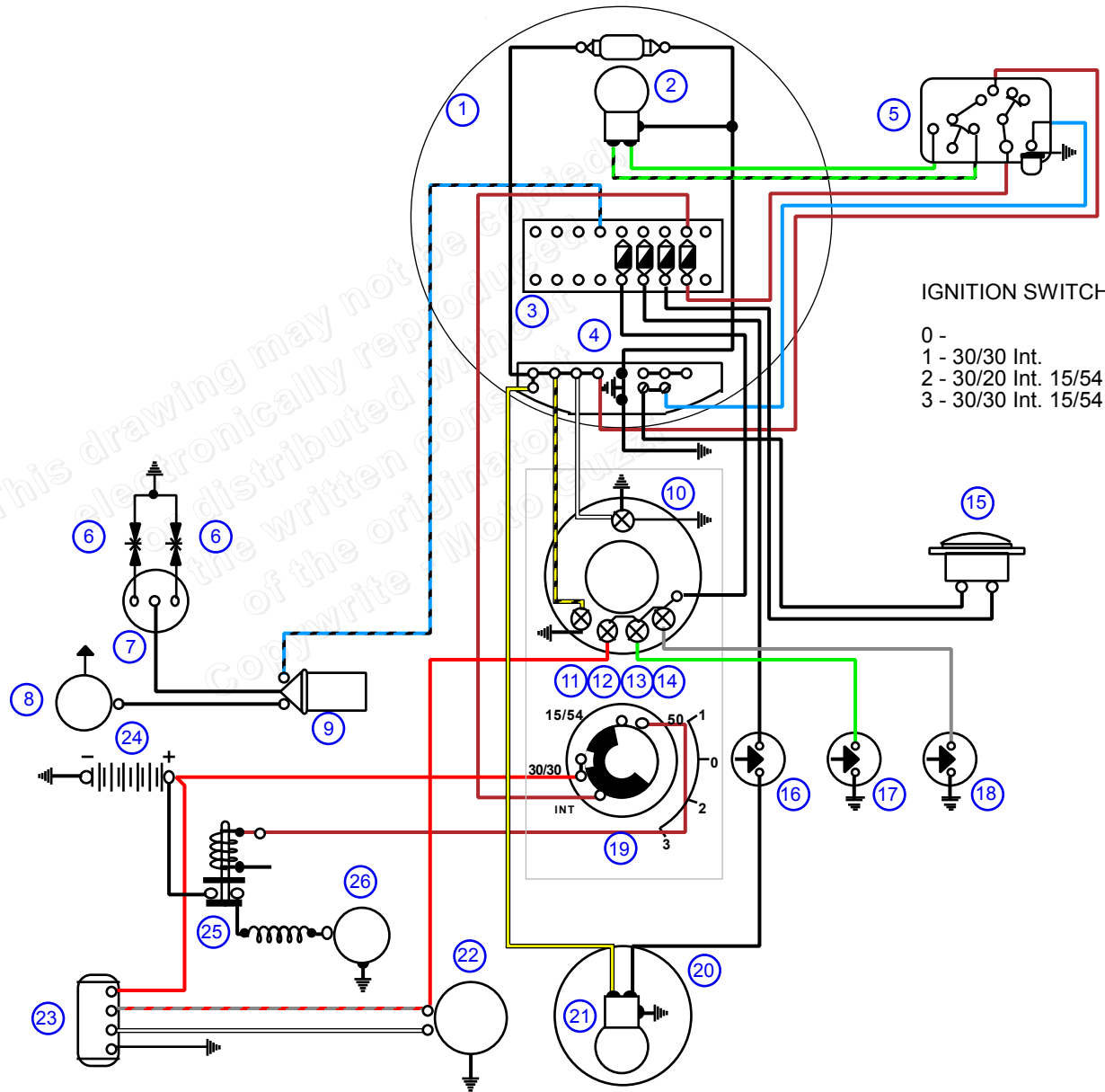


LEGEND

- 1. Headlight
- 2. Main light bulb
- 3. Terminal block with fuses
- 4. Distributing block
- 5. Light switch and horn button
- 6. Spark plug
- 7. Distributor
- 8. Contact breaker
- 9. Ignition coil
- 10. Speedometer and warning light bulbs
- 11. High beam indicator
- 12. Generator warning light
- 13. Neutral indicator
- 14. Oil pressure warning indicator
- 15. Horn
- 16. Stop light switch
- 17. Neutral indicator switch
- 18. Oil pressure switch
- 19. Ignition switch
- 20. Number plate and tail light
- 21. Plate illumination and stop light
- 22. Generator
- 23. Regulator
- 24. Battery
- 25. Starter motor relay
- 26. Starter motor



IGNITION SWITCH POSITION

- 0 -
- 1 - 30/30 Int.
- 2 - 30/20 Int. 15/54
- 3 - 30/30 Int. 15/54 50