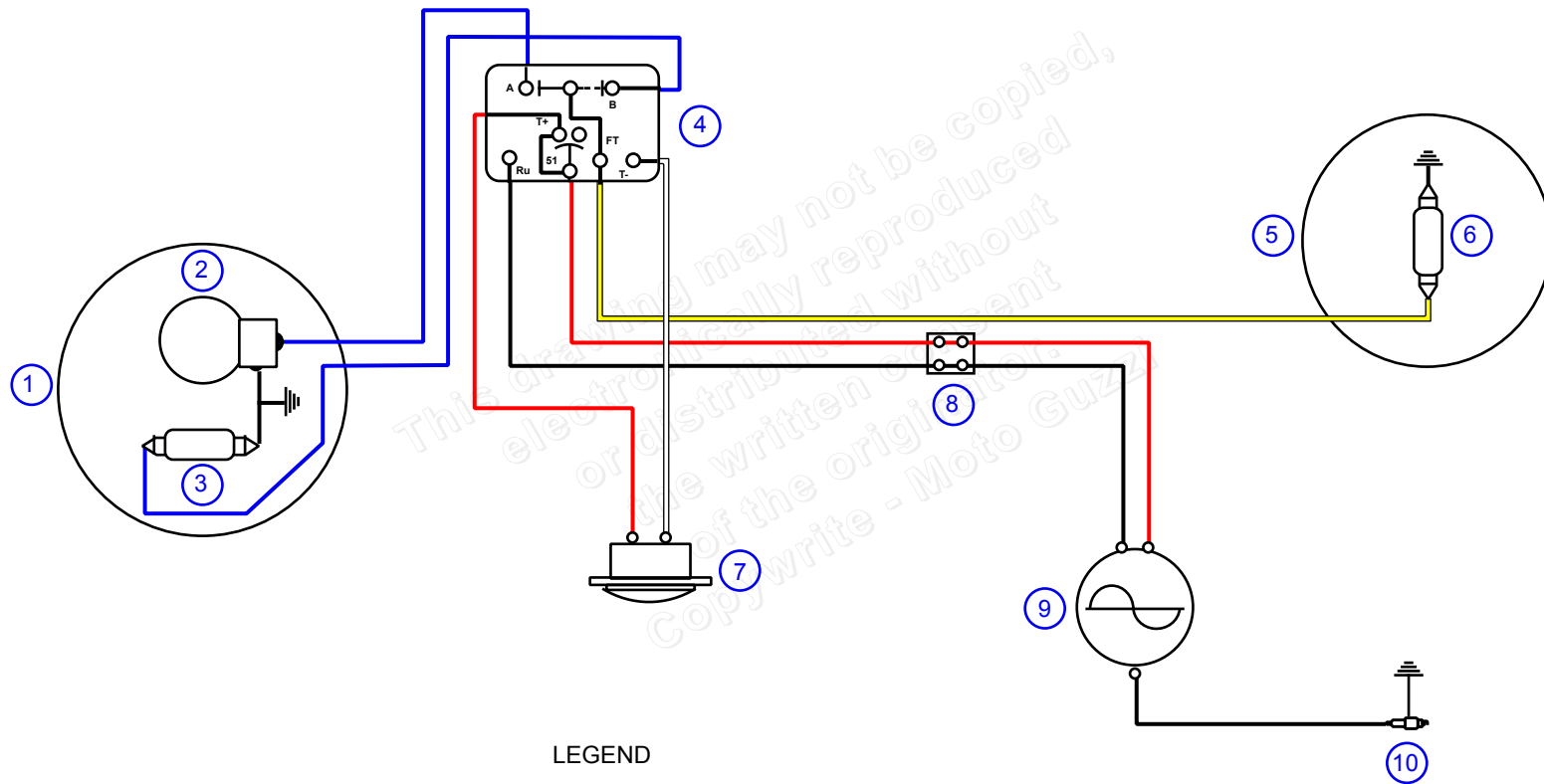


1967 Moto Guzzi Dingo

31 January 2014



LEGEND

- 1. Headlight housing
- 2. High beam bulb 6V - 15 W
- 3. Low beam bulb 6V - 15 W
- 4. Distributing block
- 5. Tail light
- 6. Tail light bulb 6V - 3 W
- 7. Horn
- 8. Connector
- 9. Generator
- 10. Spark plug